

Engine

F/XL Tier 2 (2003-2008) - RP51 - F95 F/XL/GE

Rex F Foot Step\00010783.png

A-05  
01



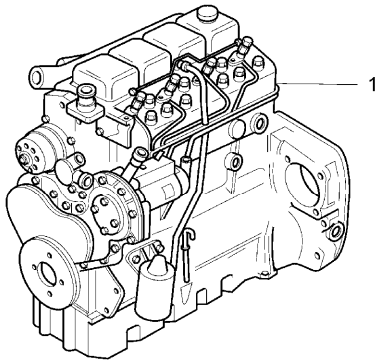
A0501

Engine assembly - "1004-42"green engine

Inglese

- |   |            |   |               |       |        |
|---|------------|---|---------------|-------|--------|
| 1 | 3670565M91 | ● | 3670565M93(1) | 1     | Engine |
|   |            |   | T-A           | 10:50 |        |
|   |            |   | T-B           | 30:50 |        |

- Replacement
- T-A Replacement
- T-B Overhaul



Engine

F/XL Tier 2 (2003-2008) - RP51 - F95 F/XL/GE

Rex F Foot Step\00002787.png




A-05  
011






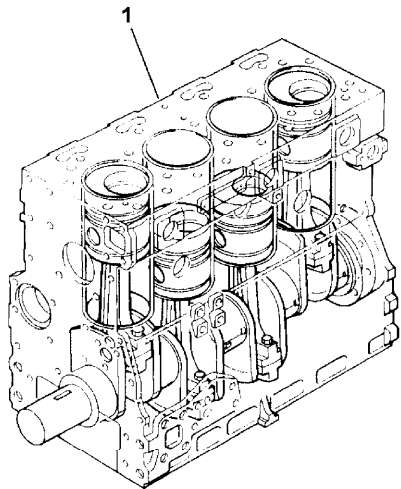
A05011

Short engine

Inglese

- 1 RG40001  U491476 t 1 Short engine
-  3115A141(1),  
32186146(3), RG4
- T-A 30:0
- 1 RG40023  U491477 t 1 Short engine

-  From serial or engine number
-  Up to serial or engine number
-  Replacement
- T-A Replacement



Engine

F/XL Tier 2 (2003-2008) - RP51 - F95 F/XL/GE

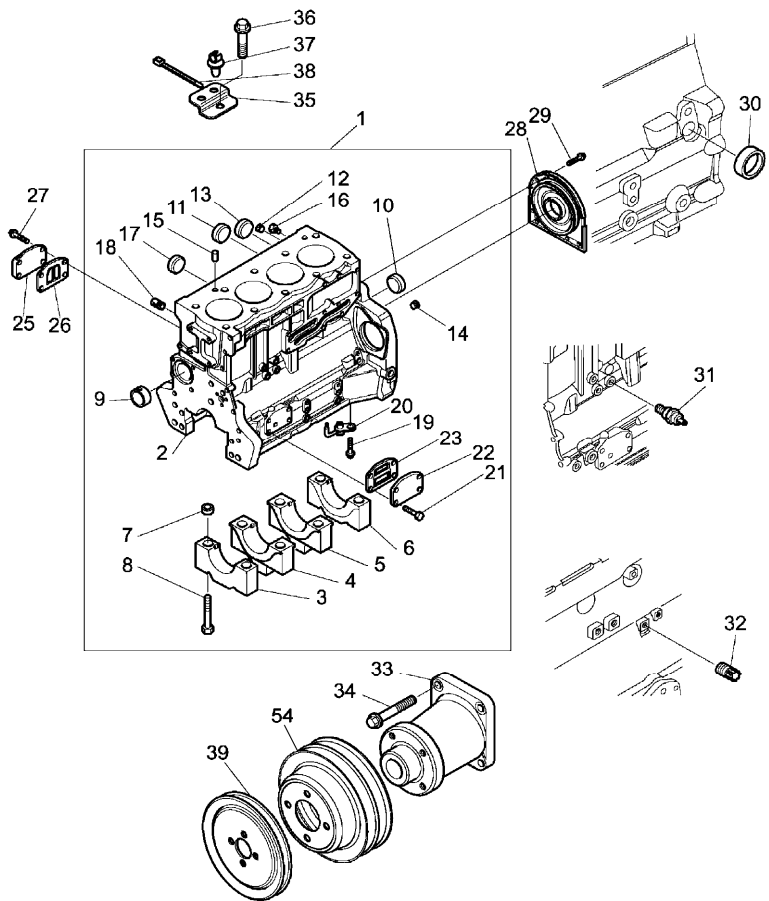
A-05  
02



A0502

Cylinder block

Rex F Foot Step000013755.png



		Inglese	
1	ZZ50312	● ZZ50325(1) T-A 30:50	1 Kit
2		➤ Zz50312 ! 1	1 Block
3		➤ Zz50312 ! 1	1 Cap
4		➤ Zz50312 ! 1	2 Cap
5		➤ Zz50312 ! 1	1 Cap
6		➤ Zz50312 ! 1	1 Cap
7	33142111	! 1	10 Manicott
8	32166329	! 1	10 Screw
9	3112D071	! 1	1 Bush
10	3241A012	● 3112D075(1) ! 1	1 Plug
11	3241A011	! 1	2 Plug
12	0650588	! 1	1 Plug
13	0650710	! 1	1 Plug
14	3212P008	! 1	1 Plug
15	3244A009	! 1	2 Dowel
16	32141316	! 1	2 Plug
17	2485A108	! 1	1 Plug
18	3212V006	! 1	1 Plug

Engine

F/XL Tier 2 (2003-2008) - RP51 - F95 F/XL/GE

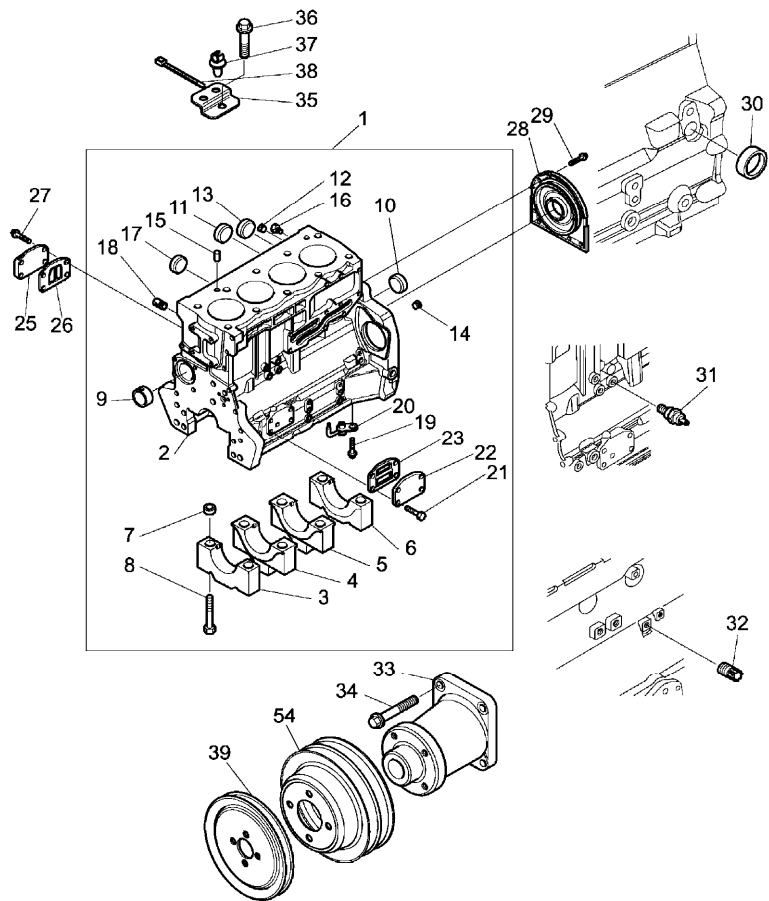
Rex F Foot Step000013755.png

A-05  
02



A0502

Cylinder block



		Inglese			
19	2314F001	!	1	4	Screw
20	2113A001	!	1	4	Atomiser
		●	2113A003(4)		
21	2314H033	!	1	4	Screw
22	3623A009	!	1	1	Plate
		T-A	0:50		
23	3688A039	!	1	1	Gasket
		T-A	0:50		
25	3753A081	T-A	0:50	1	Coperch.
26	3688A041	T-A	0:50	1	Ring
27	2314H034			4	Screw
28	2418F704	(X)	0.1.4.	1	Housing
		T-A	11:0		
29	3211C002			10	Screw
30	2485A109			1	Plug
31	2848062	●	4172E054(1)	1	Switch
		T-A	0:25		
32	3212V005			1	Plug
33	4113K005	T-A	2:0	1	Housing
34	2314J005			4	Screw
35	3651A016			1	Support
36	2314H002			1	Screw
37	2481D556	●	2481D558(1)	1	Clip
38	2817154			1	Hitch
39	3114X192			1	Pulley

Engine

F/XL Tier 2 (2003-2008) - RP51 - F95 F/XL/GE

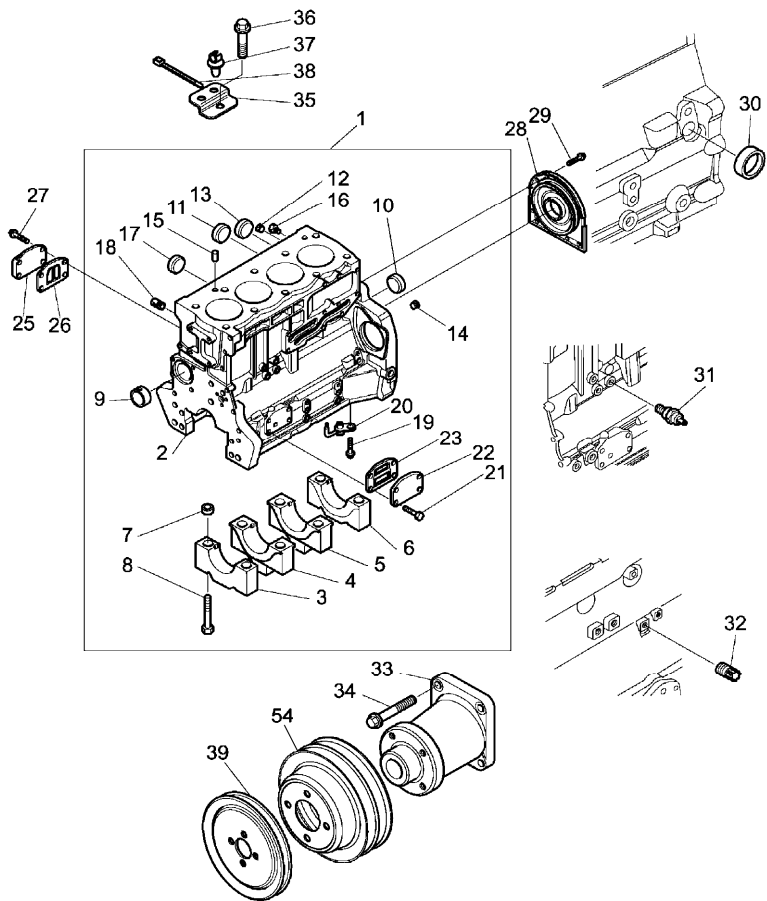
A-05  
02



A0502

Cylinder block

Rex F Foot Step000013755.png



				Inglese
41	3681K036	!	40	1 Gasket
42	2415715	!	40	1 Ring
43	36832137	!	40	1 Gasket
44	3617V015	!	40	1 Gasket
		●	3681P053(1)	
45	3617V016	!	40	1 Gasket
		●	3681P053(1)	
46	3681P046	!	40	1 Gasket
47	26420318	!	40	1 Ring
48	3688A041	!	40	1 Ring
49	3688A039	!	40	1 Gasket
50	3682A011	!	40	1 Gasket
51	3688A035	!	1	1 Ring
		●	3688A053(1)	
52	3685A024	!	40	1 Ring
		●	3685A033(1)	
53	3685A025	!	40	1 Ring
54	3115C161			1 Pulley
!	This is a component of an assembly			
🔧	Not serviced, order			
●	Replacement			
(X)	Qty per tractors sold (aa.bbb.ccc.ddd) (aa) for 1,(bbb) 2-10 (ccc) 11-25 (ddd) 26-50			
T-A	Replacement			

Engine

F/XL Tier 2 (2003-2008) - RP51 - F95 F/XL/GE

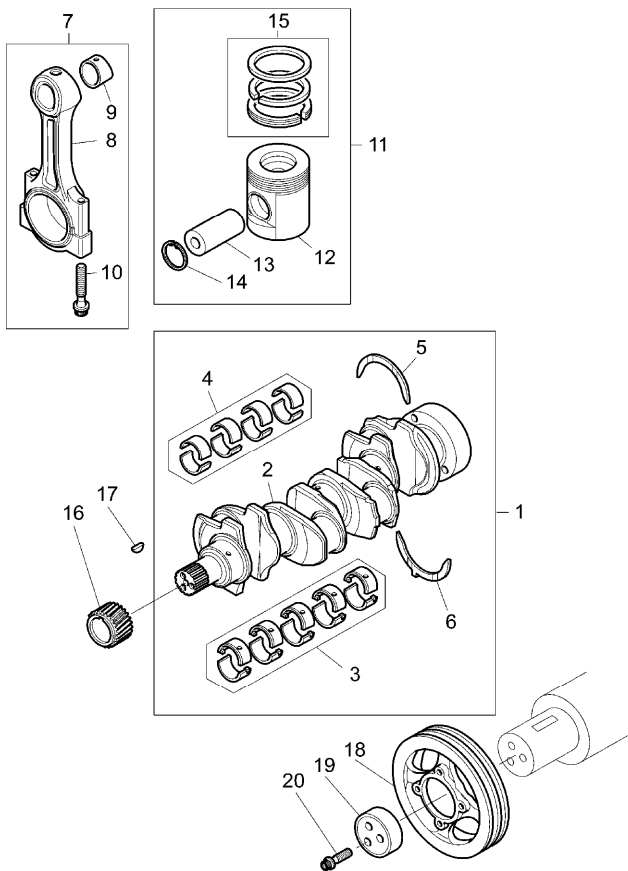
Rex F Foot Step\00010860.png

A-05  
03



A0503

Crankshaft, pistons and connecting rods



		Inglese	
1	ZZ90222	➡ U491476 t ● ZZ90239(1) T-A 18:50	1 Kit
1	ZZ90237	➡ U491477 t	1 Shaft
2		! 1	1 Crankshaft
3	U5MB0018	➡ Zz90222 ! 1 ● U5MB0033(1) T-A 18:50	1 Kit
3	U5MB0018A	! 1 ✂ (+)0.010" ● U5MB0033A(1) T-A 18:50	1 Kit
3	U5MB0018B	! 1 ✂ (+)0.020" ● U5MB0033B(1) T-A 18:50	1 Kit
3	U5MB0018C	! 1 ✂ (+)0.030" ● N.L.A.(1) T-A 18:50	1 Kit
4	U5ME0013	! 1 ● U5ME0034(1) T-A 18:50	1 Kit

Engine

F/XL Tier 2 (2003-2008) - RP51 - F95 F/XL/GE

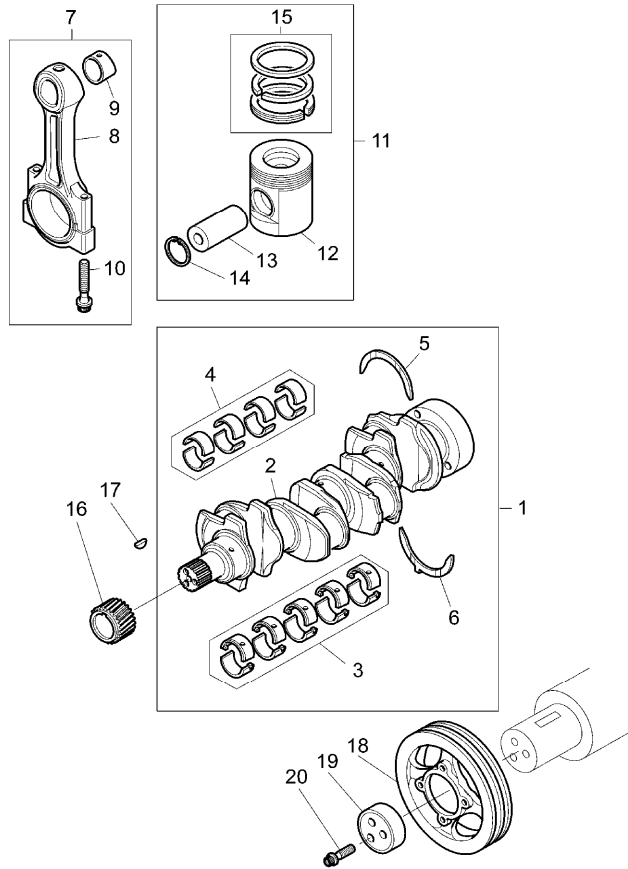
Rex F Foot Step\00010860.png

A-05  
03



A0503

Crankshaft, pistons and connecting rods



Inglese

4	U5ME0013A	!	1	1 Kit
		✂	(+)0.010"	
		●	U5ME0034A(1)	
		T-A	18:50	
4	U5ME0013B	!	1	1 Kit
		✂	(+)0.020"	
		●	U5ME0034B(1)	
		T-A	18:50	
4	U5ME0013C	!	1	1 Kit
		✂	(+)0.030"	
		●	U5ME0034C(1)	
		T-A	18:50	
5	31137312	!	1	2 Ring
		✂	(+)0.007"	
		T-A	18:50	
5	31137551	!	1	2 Washer
		T-A	18:50	
6	31137322	!	1	2 Ring
		✂	(+)0.007"	
		T-A	18:50	
6	31137561	!	1	2 Washer
		T-A	18:50	
7	A			4 Kit
7	4115C311	➡	U491477 t	4 Kit
		B		
		T-A	17:0	

Engine

F/XL Tier 2 (2003-2008) - RP51 - F95 F/XL/GE

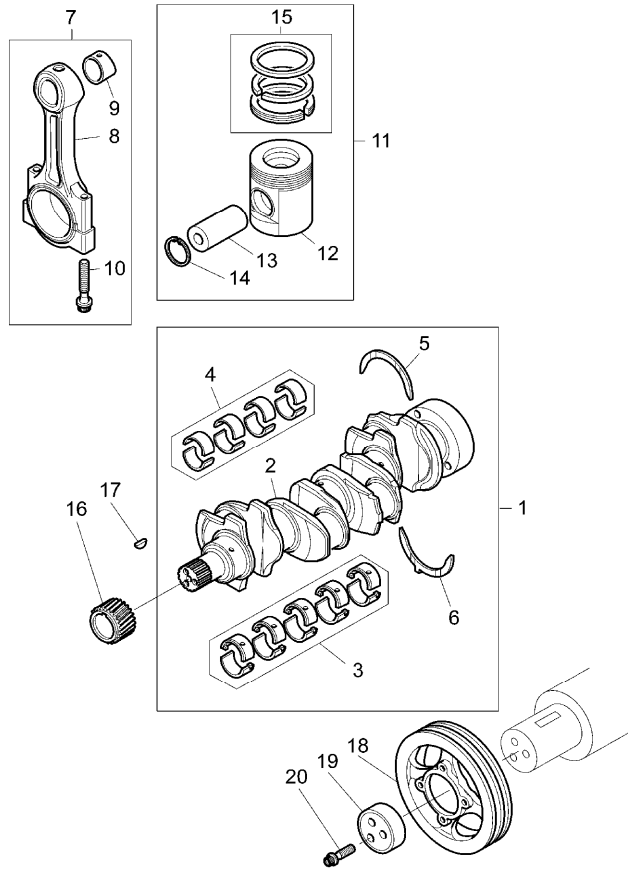
Rex F Foot Step\00010860.png

A-05  
03



A0503

Crankshaft, pistons and connecting rods



		Inglese	
7	4115C312	➡ U491477 t	4 Kit
		C	
		T-A 17:0	
7	4115C313	➡ U491477 t	4 Kit
		D	
		T-A 17:0	
7	4115C314	➡ U491477 t	4 Kit
		E	
		T-A 17:0	
7	4115C315	➡ U491477 t	4 Kit
		F	
		T-A 17:0	
7	4115C316	➡ U491477 t	4 Kit
		G	
		T-A 17:0	
7	4115C361	➡ U491478 t	4 Conrod
		B	
7	4115C362	➡ U491478 t	4 Conrod
		C	
7	4115C363	➡ U491478 t	4 Conrod
		D	
7	4115C364	➡ U491478 t	4 Conrod
		E	
7	4115C365	➡ U491478 t	4 Conrod
		F	



Engine

F/XL Tier 2 (2003-2008) - RP51 - F95 F/XL/GE

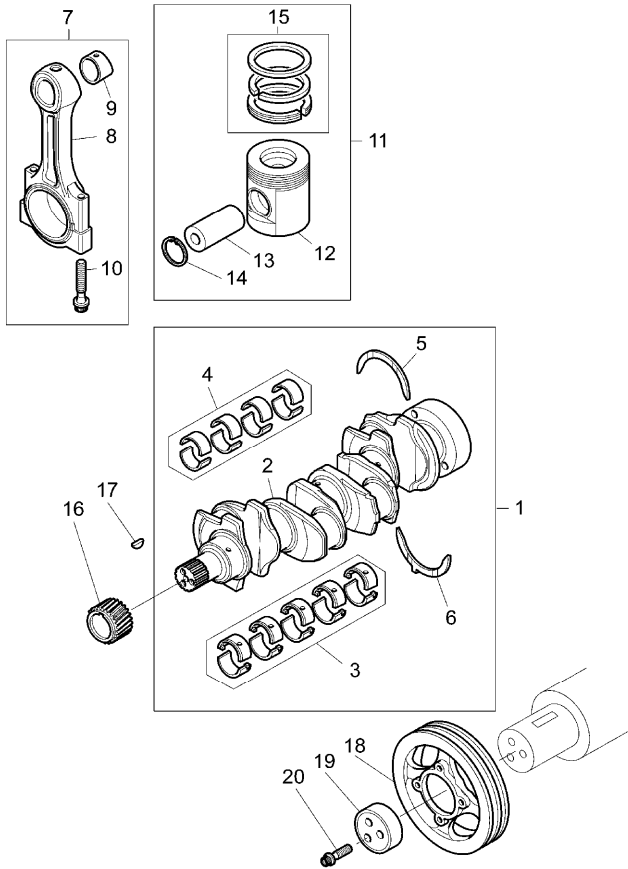
Rex F Foot Step00010860.png

A-05  
03



A0503

Crankshaft, pistons and connecting rods



		Inglese	
7	4115C366	➡ U491478 t	4 Conrod
		G	
8		! 7	1 Conrod
		➡ 7	
9	3112A005	! 7	1 Bush
10	3212V003	! 7	2 Screw
11	4115P015	T-A 17:0	4 Kit
12		! 11	1 Piston
		➡ 4115p015	
13		! 11	1 Pin
		➡ 4115p015	
14	2721332	! 11	2 Ring
15	UPRK0002	! 11	1 Kit
		(X) 0.1.3.	
		T-A 17:0	
16	3117C221	T-A 13:0	1 Gear
17	0500012	T-A 13:0	1 Key
18	3115T051	T-A 2:0	1 Pulley
19	3241N001	T-A 2:0	1 Block
20	32186137		3 Screw

- ! This is a component of an assembly
- ➡ From serial or engine number
- ➡ Up to serial or engine number
- ➡ Not serviced, order
- ⚡ Shim
- Replacement
- (X) Qty per tractors sold (aa.bbb.ccc.ddd) (aa) for 1,(bbb) 2-10 (ccc) 11-25 (ddd) 26-50

Engine

A-05  
03

Crankshaft,pistons and connecting rods

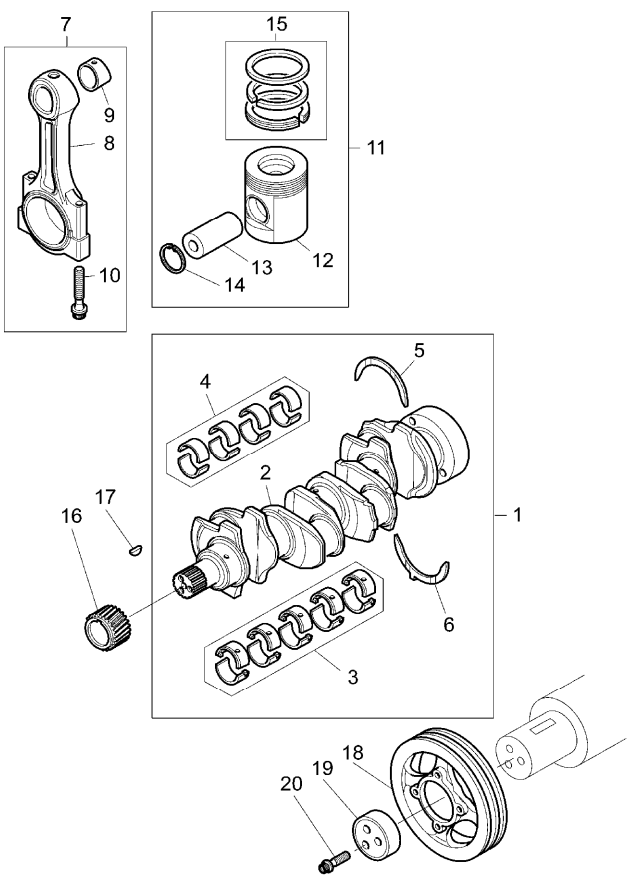
F/XL Tier 2 (2003-2008) - RP51 - F95 F/XL/GE



A0503

Rex F Foot Step\00010860.png

- T-A Replacement
- A To be advised
- B Red
- C Orange
- D White
- E Green
- F Purple
- G Blue



Engine

F/XL Tier 2 (2003-2008) - RP51 - F95 F/XL/GE

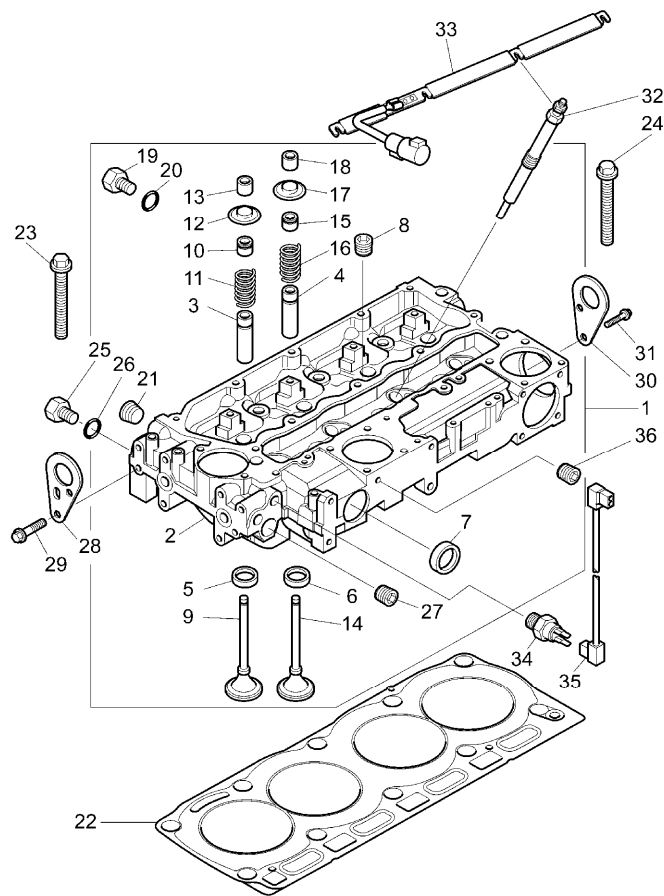
A-05  
04



A0504

Cylinder head

Rex F Foot Step00010917.png



Inglese

1	ZZ80268	T-A 4:0	1 Kit
		T-B 7:0	
2	➡ Zz80268	!	1 Cylinder head
		!	
3	3313E021	!	4 Guide
		● 3313A012(4)	
		T-A 7:50	
4	3313E021	!	4 Guide
		● 3313A012(4)	
		T-A 7:50	
5	3314A151	!	4 Insert
		● 3314A241(4)	
		T-A 7:50	
6	3314A161	!	4 Insert
		● 3314A231(4)	
		T-A 7:50	
7	32416117	!	2 Plug
		T-A 1:0	
8	0650588	!	4 Plug
		T-A 0:50	
9	3142H071	!	4 Valve
		T-A 7:50	
10	2418M514	!	4 Ring
		● N.L.S.(4)	
		T-A 3:0	

Engine

F/XL Tier 2 (2003-2008) - RP51 - F95 F/XL/GE

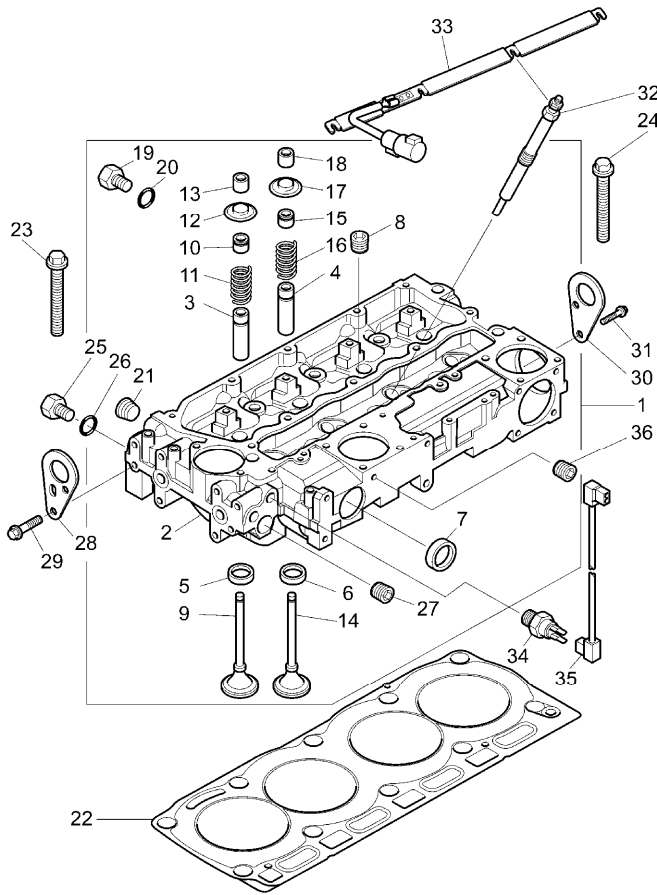
Rex F Foot Step00010917.png

A-05  
04



A0504

Cylinder head



			Inglese
11	3174A016	! 1	4 Spring
		T-A 3:0	
12	3342A011	! 1	4 Cover
		T-A 3:0	
13	3142W004	! 1	8 Cotter
		T-A 3:0	
14	3142A151	! 1	4 Valve
		T-A 7:50	
15	2418M514	! 1	4 Ring
		● N.L.S.(4)	
		T-A 3:0	
16	3174A016	! 1	4 Spring
		T-A 3:0	
17	3342A011	! 1	4 Cover
		T-A 3:0	
18	3142W004	! 1	8 Cotter
		T-A 3:0	
19	3278A006	! 1	1 Plug
20	2415H003	! 1	1 Ring
21	2431154	! 1	1 Plug
22	3681E046	● 3681E051(1)	1 Gasket
		T-A 4:0	
23	3218A011		7 Screw
24	3218A012		3 Screw
25	3278A006		1 Plug
26	2415H003		1 Ring

Engine

F/XL Tier 2 (2003-2008) - RP51 - F95 F/XL/GE

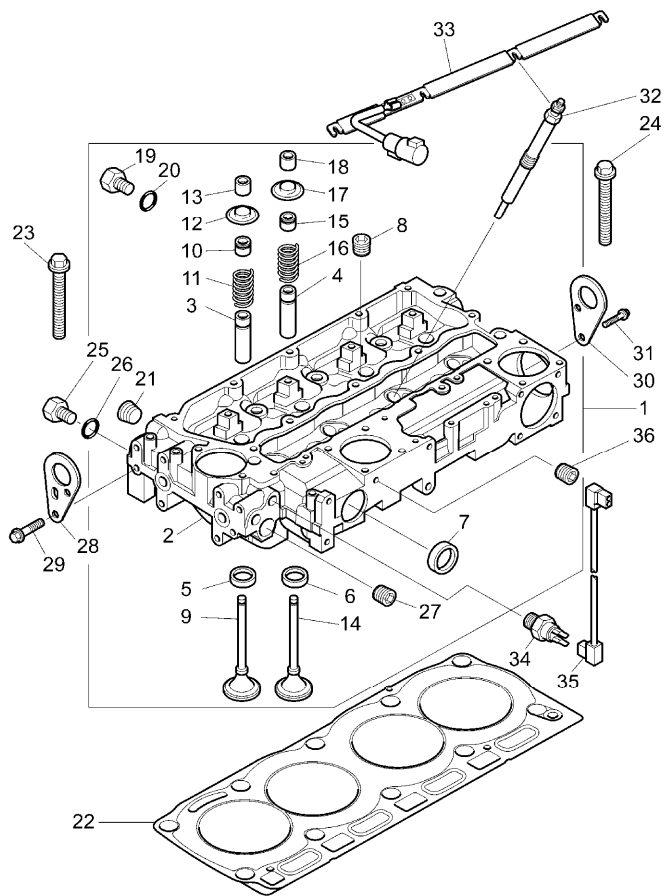
Rex F Foot Step00010917.png

**A-05  
04**



A0504

Cylinder head



- 27 2431154
  - 28 3617A015
  - 29 2314J002
  - 30 3647A007
  - 31 2314J002
  - 32 2666A016 T-A 0:75
  - 33 3161C015 ● T409642(1)
  - 34 2848A127 A T-A 0:25
  - 35 3161C017 T-A 0:25
  - 36 2431131 ● 0650594(1)
- ! This is a component of an assembly
- ▣ Not serviced, order
- Replacement
- T-A Replacement
- T-B Overhaul
- A Water temperature

**Inglese**

- 1 Plug
- 1 Stirrup
- 2 Screw
- 1 Stirrup
- 2 Screw
- 4 Spark plug
- 1 Bar
- 1 Sensor
- 1 Cable
- 1 Plug

Engine

F/XL Tier 2 (2003-2008) - RP51 - F95 F/XL/GE

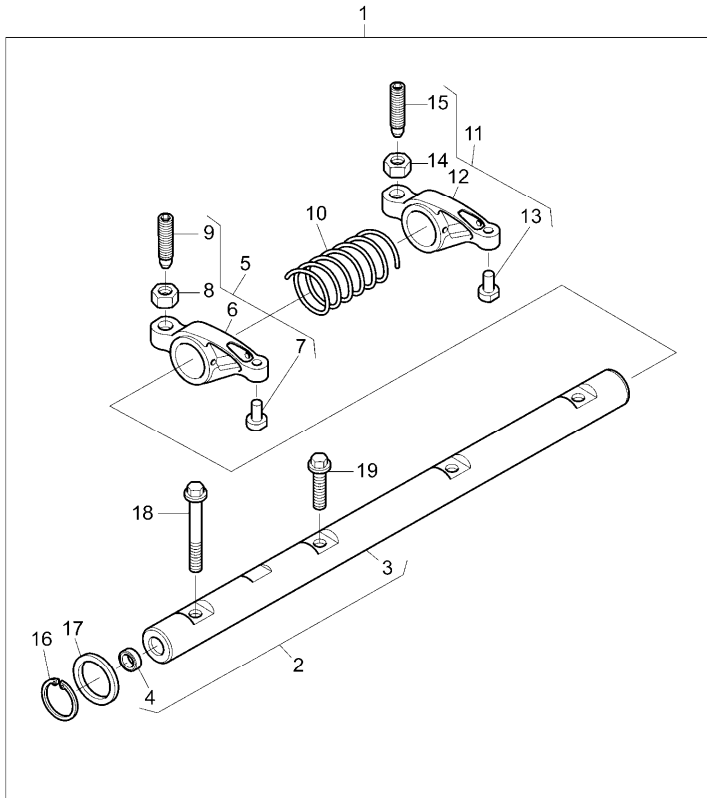
Rex F Foot Step00010861.png

A-05  
05



A0505

Rocker shaft



				Inglese
1	4115R612	T-A 4:0		1 Rocker
2	4115R703	! 1		1 Shaft
		T-A 4:0		
3		! 2		1 Shaft
		➡ 4115r703		
4	2485A104	! 2		2 Plug
		T-A 4:0		
5	4115R314	T-A 4:0		4 Rocker
6		! 5		1 Arm
		➡ 4115r314		
7		! 5		1 Shim
		➡ 4112r314		
8	0576052	! 5		1 Nut
9	32114145	! 5		1 Screw
10	3174A015	! 1		3 Spring
		T-A 4:0		
11	4115R315	! 1		4 Rocker
		T-A 4:0		
12		! 11		1 Arm
		➡ 4115r315		
13		! 11		1 Shim
		➡ 4115r315		
14	0576052	! 11		1 Nut
15	32114145	! 11		1 Screw
		T-A 1:25		
16	2722A022	! 1		2 Ring

**Buy Now**



Our support email:

[ebooklibonline@outlook.com](mailto:ebooklibonline@outlook.com)