

Engine

GM Series Tier 1 (1998-2003) - RS10 - GM40

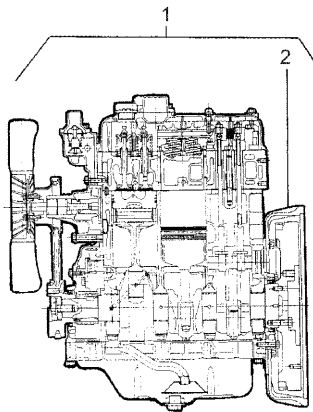
Mistral\00010157.png

A-05
01



A0501

Engine assembly - engine yanmar type "3tne 88 - lan"



- 1 3684718M91 A
 - B
 - T-A 31:0
- 1 4202764M91 B
 - T-A 13:0
 - T-B 31:0
- 2 4202641M91 ! 1
 - 3653297M1(1),
3653361M1(1)
 - T-A 10:25

Inglese

- 1 Short engine
- 1 Engine
- 1 Flywheel

- ! This is a component of an assembly
- Replacement
- T-A Replacement
- T-B Overhaul
- A Short engine
- B Complete with flywhell

Engine

GM Series Tier 1 (1998-2003) - RS10 - GM40

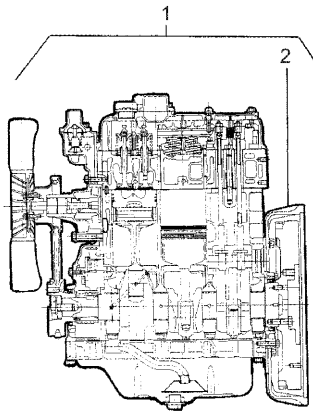
Mistral\00010157.png

A-05
015



A05015

Engine assembly - engine yanmar type "3tne 88 - elan"



- | | | | | |
|---|------------|-----|-------------------------------|------------|
| 1 | 4204518M94 | ● | N.L.S.(1) | Inglese |
| | | A | | 1 Engine |
| | | T-A | 13:0 | |
| | | T-B | 31:0 | |
| 2 | 4202641M91 | ! | 1 | 1 Flywheel |
| | | ● | 3653297M1(1),
3653361M1(1) | |
| | | T-A | 10:25 | |

- ! This is a component of an assembly
- Replacement
- T-A Replacement
- T-B Overhaul
- A Complete with flywheel

Engine

GM Series Tier 1 (1998-2003) - RS10 - GM40

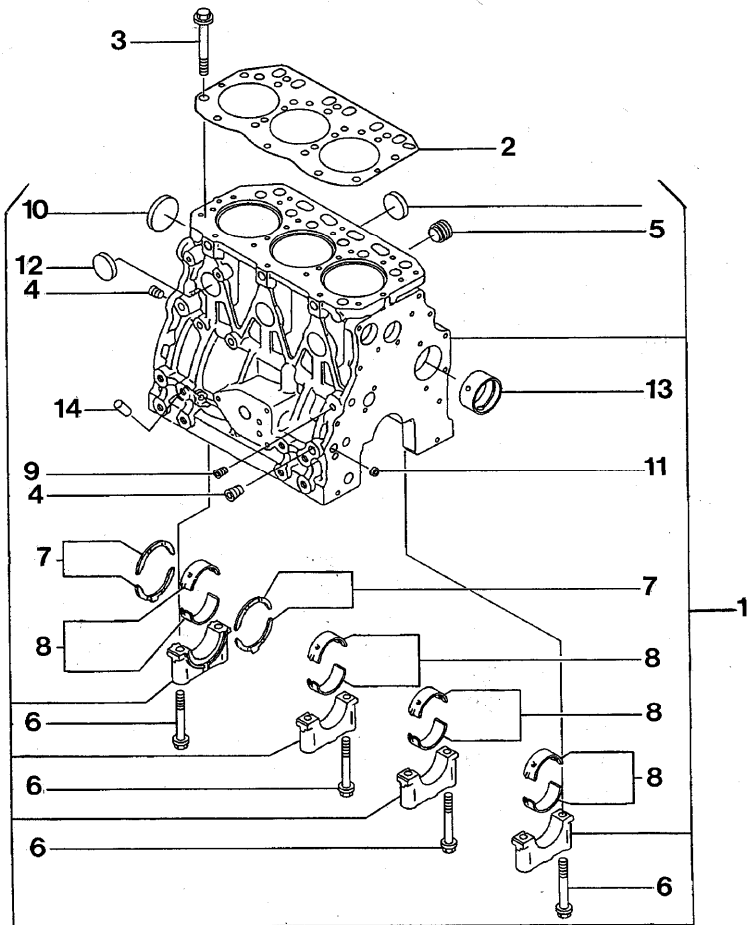
A-05
02



A0502

Cylinder block - engine yanmar type "3tne 88 - lan"

Mistral\00001385.png



				Inglese
1	3653892M1	T-A 33:0		1 Block
2	3653335M1	T-A 5:0		1 Gasket
3	3653428M1			14 Stud
4	3653316M1	! 1		3 Plug
		T-A 0:25		
5	3653796M1	! 1		1 Plug
		T-A 0:25		
6	3653429M1	! 1		8 Bolt
7	3653432M1	! 1		2 Ring
		● 4215968M1(2)		
		T-A 16:50		
7	3653433M1	● 4215970M1(2)		2 Ring
		A		
		T-A 16:50		
8	3653336M1	! 1		4 Kit
		● 4215967M1(4)		
		T-A 16:50		
8	3653431M1	● 3653431M2(4)		4 Ring
		B		
		T-A 16:50		
9	3653825M1	! 1		1 Plug
		T-A 0:25		
10	3653887M1	! 1		1 Plug
		T-A 0:75		
11	3653888M1	! 1		2 Plug

Engine

GM Series Tier 1 (1998-2003) - RS10 - GM40

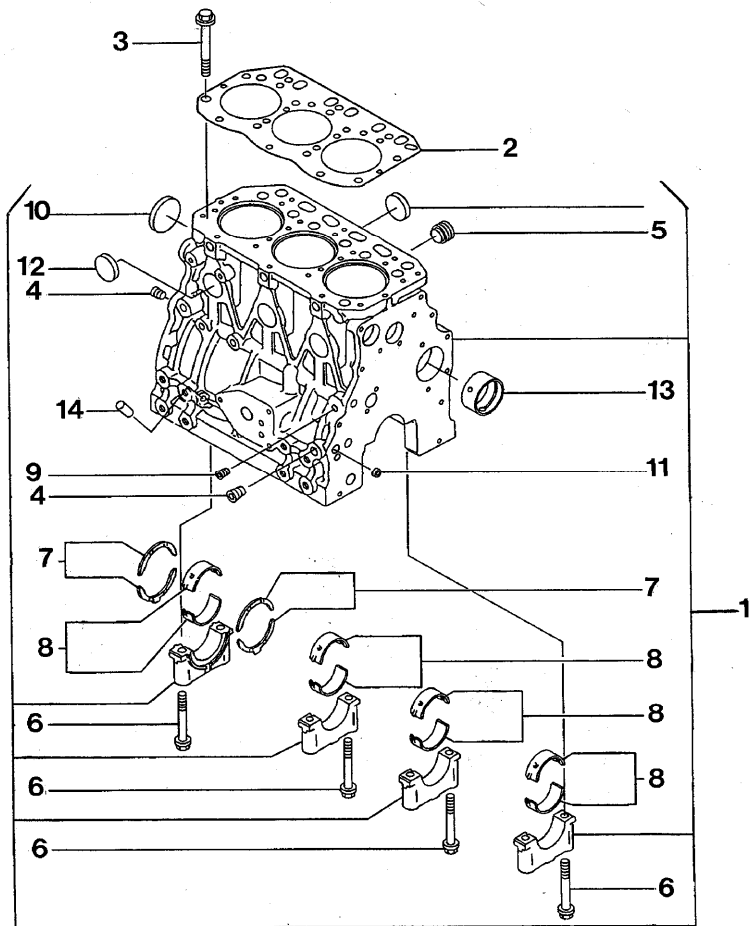
A-05
02



A0502

Cylinder block - engine yanmar type "3tne 88 - lan"

Mistral\00001385.png



Inglese

12	3653889M1	!	1	6	Plug
		●	3653889M2(6)		
		T-A	0:75		
13	3653791M1	!	1	1	Bearing
		(X)	0.4.6.1		
		T-A	31:0		
14	3653886M1	!	1	1	Plug

! This is a component of an assembly

● Replacement

(X) Qty per tractors sold (aa.bbb.ccc.ddd) (aa) for 1,(bbb) 2-10 (ccc) 11-25 (ddd) 26-50

T-A Replacement

A Over-size (0,25mm) part.

B Under-size (0,25mm) part.

Engine

GM Series Tier 1 (1998-2003) - RS10 - GM40

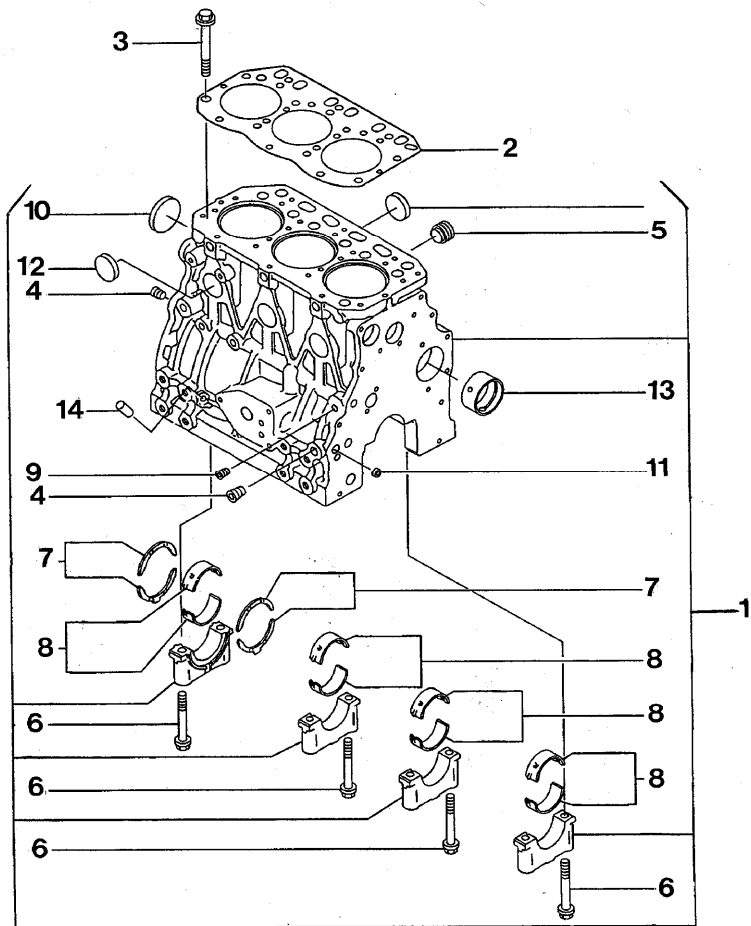
A-05
025



A05025

Cylinder block - engine yanmar type "3tne 88 - elan"

Mistral\00001385.png



				Inglese
1	3653892M1	T-A 33:0		1 Block
2	3653335M1	T-A 5:0		1 Gasket
3	3653428M1			14 Stud
4	3653316M1	! 1		3 Plug
		T-A 0:25		
5	3653796M1	! 1		1 Plug
		T-A 0:25		
6	3653429M1	! 1		8 Bolt
7	3653432M1	! 1		2 Ring
	●	4215968M1(2)		
		T-A 16:50		
7	3653433M1	●	4215970M1(2)	2 Ring
		A		
		T-A 16:50		
8	3653336M1	! 1		4 Kit
		●	4215967M1(4)	
		T-A 16:50		
8	3653431M1	●	3653431M2(4)	4 Ring
		B		
		T-A 16:50		
9	3665017M1	! 1		1 Plug
		T-A 0:25		
10	3664445M1	! 1		1 Plug
		T-A 0:75		
11	3653888M1	! 1		2 Plug

Engine

GM Series Tier 1 (1998-2003) - RS10 - GM40

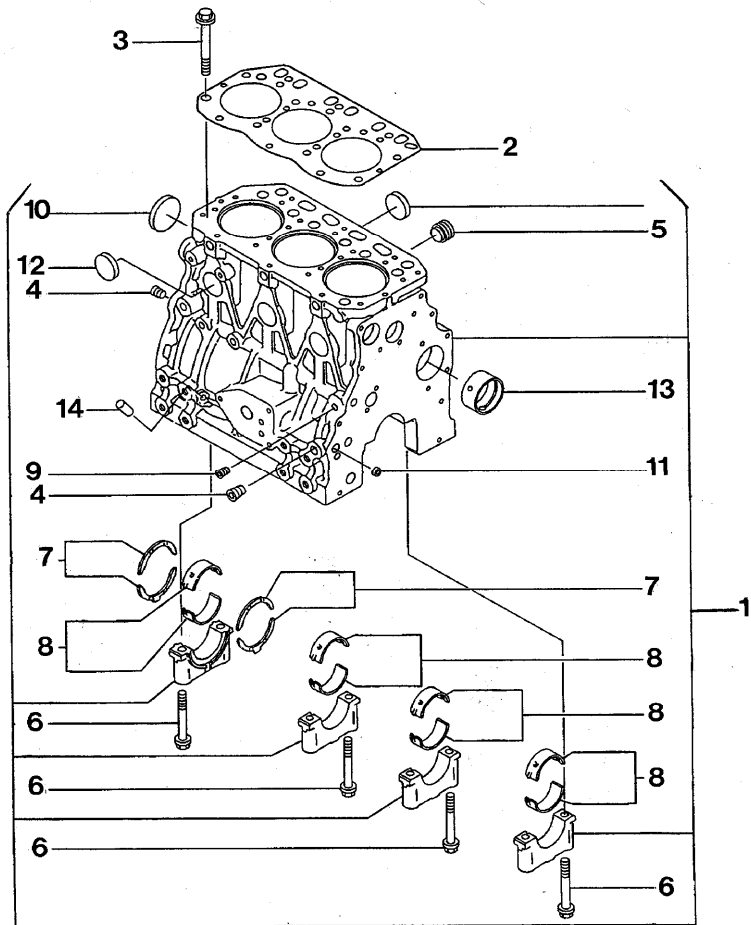
**A-05
025**



A05025

Cylinder block - engine yanmar type "3tne 88 - elan"

Mistral\00001385.png



		Inglese		
12	3653889M1	!	1	6 Plug
		●	3653889M2(6)	
		T-A	0:75	
13	3653791M1	!	1	1 Bearing
		T-A	31:0	
14	3653886M1	!	1	1 Plug
	!	This is a component of an assembly		
	●	Replacement		
	T-A	Replacement		
	A	Over-size (0,25mm) part.		
	B	Under-size (0,25mm) part.		

Engine

GM Series Tier 1 (1998-2003) - RS10 - GM40

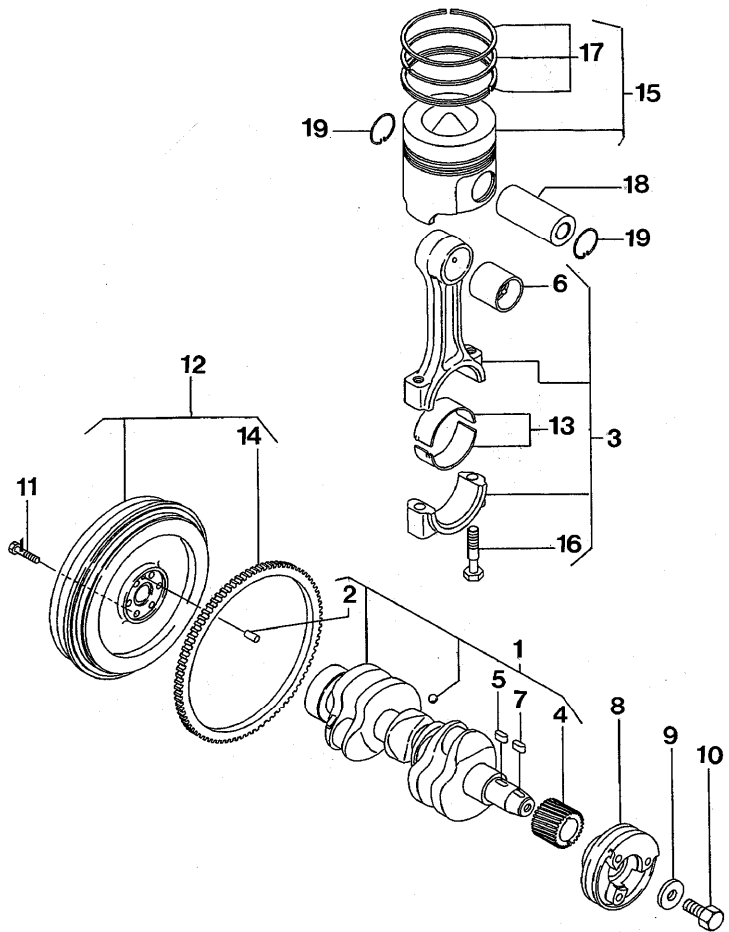
A-05
03



A0503

Crankshaft, pistons and connecting rods - engine yanmar type "3tne 88 - lan"

Mistral\00001384.png



				Inglese
1	3653341M1	T-A 15:0		1 Shaft
		T-B 17:0		
2	3653378M1	!	1	1 Dowel
3	3653897M1	T-A 17:0		3 Conrod
		T-B 15:25		
4	3653449M1	!	1	1 Gear
		T-A 20:0		
5	3653820M1	!	1	1 Key
		T-A 20:0		
6	3653383M1	!	3	3 Bearing
		T-A 17:0		
7	3653821M1	!	1	1 Key
		T-A 20:0		
8	3653362M1	T-A 2:0		1 Pulley
9	3653794M1			1 Washer
10	3653309M1			1 Bolt
11	3653301M1			6 Bolt
12	3653361M1	T-A 10:25		1 Flywheel
13	3653450M1	!	3	3 Bearing
		● 4216034M1(3)		
		T-A 16:50		
13	3653451M1	B		3 Bearing
		T-A 16:50		
14	3653297M1	T-A 10:25		1 Crownwheel
15	3653342M1	(X) 0.4.8.2		3 Piston
		T-A 17:0		

Engine

GM Series Tier 1 (1998-2003) - RS10 - GM40

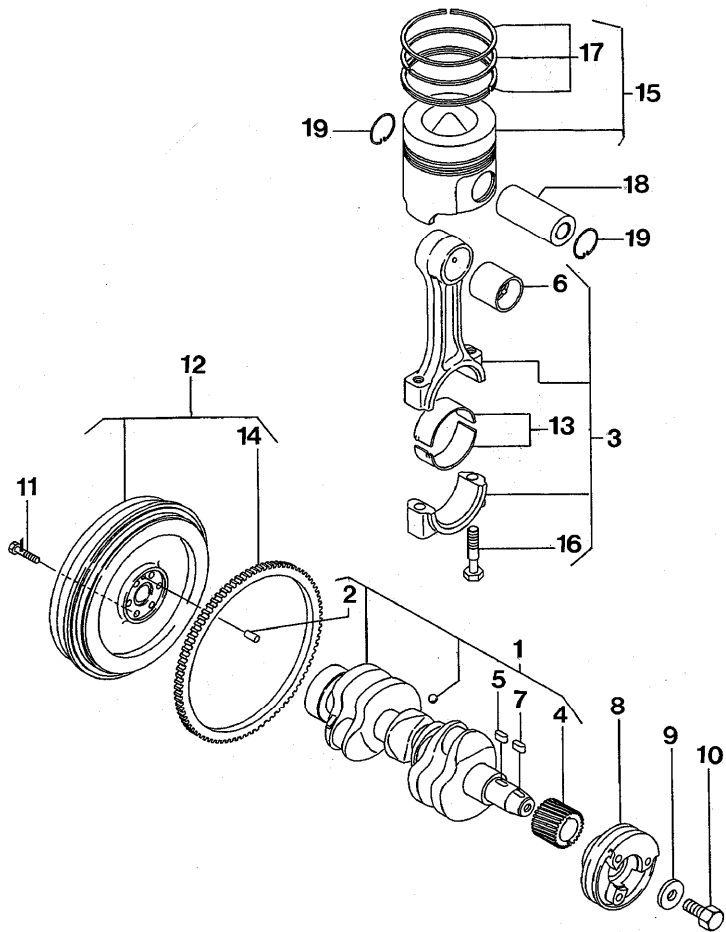
A-05
03



A0503

Crankshaft, pistons and connecting rods - engine yanmar type "3tne 88 - lan"

Mistral\00001384.png



		Inglese
15	3653344M1 A	3 Piston
	(X) 0.4.8.2	
	T-A 17:0	
16	3653307M1	6 Bolt
17	3653343M1 ! 15	3 Kit
	T-A 17:0	
17	3653345M1 A	3 Kit
	T-A 17:0	
18	3653731M1 T-A 17:0	3 Cotter
19	3653815M1	6 Clip
!	This is a component of an assembly	
●	Replacement	
(X)	Qty per tractors sold (aa.bbb.ccc.ddd) (aa) for 1,(bbb) 2-10 (ccc) 11-25 (ddd) 26-50	
T-A	Replacement	
T-B	Overhaul	
A	Over-size (0,25mm) part.	
B	Under-size (0,25mm) part.	

Engine

GM Series Tier 1 (1998-2003) - RS10 - GM40

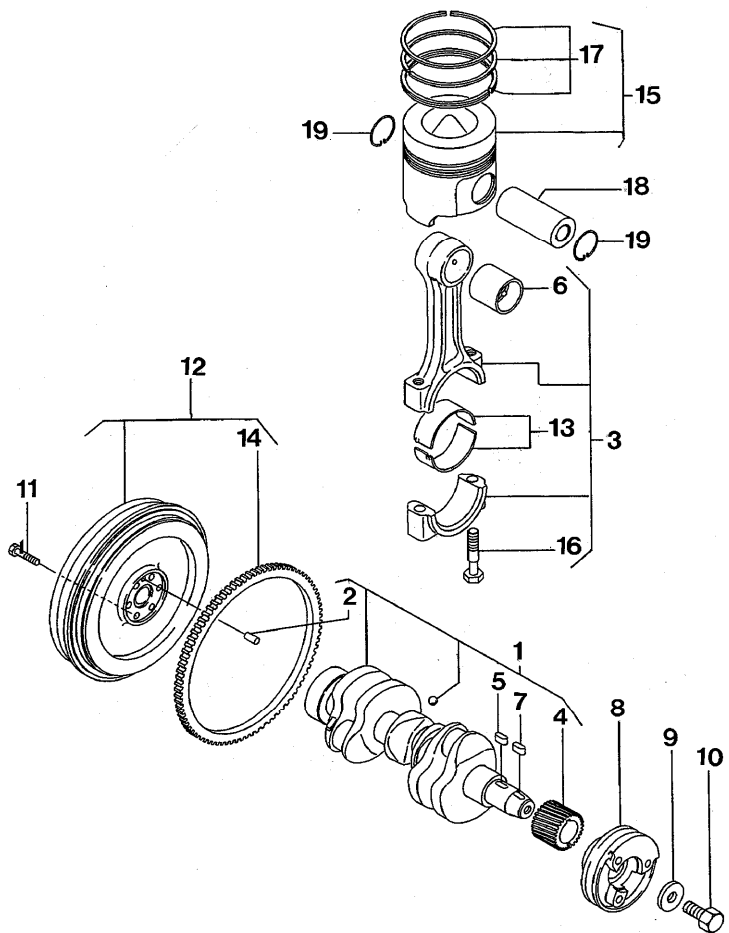
**A-05
035**



A05035

Crankshaft, pistons and connecting rods - engine yanmar type "3tne 88 - elan"

Mistral\00001384.png



				Inglese
1	3653341M1	T-A 15:0		1 Shaft
		T-B 17:0		
2	3653378M1	!	1	1 Dowel
3	3653897M1	T-A 17:0		3 Conrod
		T-B 15:25		
4	3653449M1	!	1	1 Gear
		T-A 20:0		
5	3653820M1	!	1	1 Key
		T-A 20:0		
6	3653383M1	!	3	3 Bearing
		T-A 17:0		
7	3653820M1	!	1	1 Key
		T-A 20:0		
8	3653362M1	T-A 20:0		1 Pulley
9	3653794M1			1 Washer
10	3653309M1			1 Bolt
11	3653301M1			6 Bolt
12	3653361M1	T-A 10:25		1 Flywheel
13	3653450M1	!	3	3 Bearing
		● 4216034M1(3)		
		T-A 17:0		
13	3653451M1	B		3 Bearing
		T-A 17:0		
14	3653297M1	T-A 10:25		1 Crownwheel
15	3664446M1	T-A 17:0		3 Piston

Engine

GM Series Tier 1 (1998-2003) - RS10 - GM40

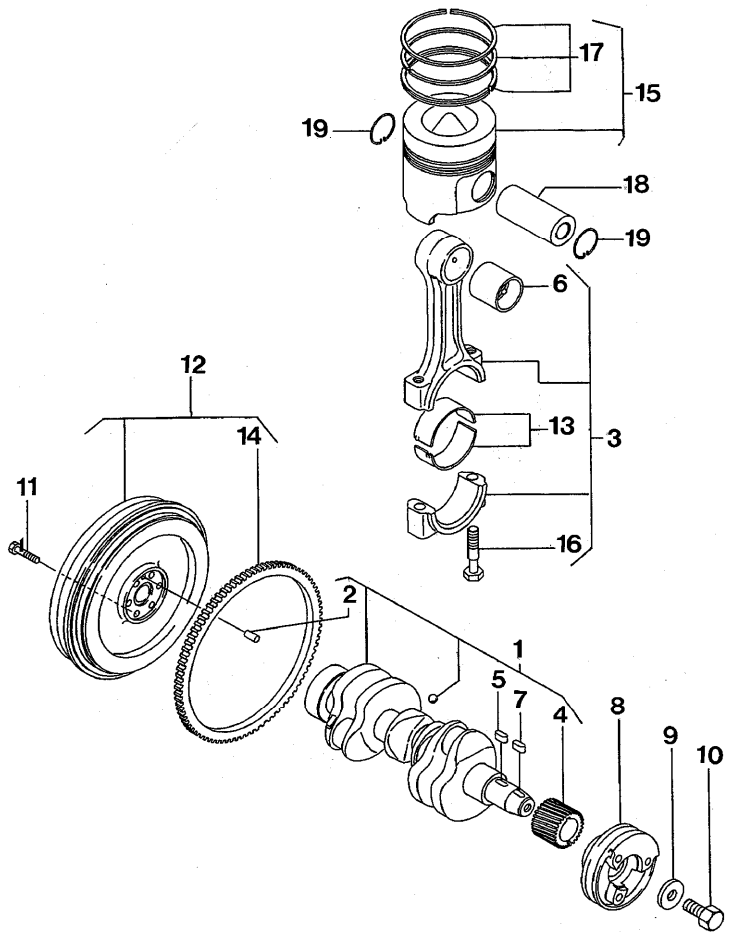
A-05
035



A05035

Crankshaft, pistons and connecting rods - engine yanmar type "3tne 88 - elan"

Mistral\00001384.png



- 15 3664447M1 A T-A 17:0
- 16 3653307M1
- 17 3653343M1 ! 15
- 17 3653345M1 A
- 18 3653731M1 T-A 17:0
- 19 3653815M1

Inglese

- 3 Piston
- 6 Bolt
- 3 Kit
- 3 Kit
- 3 Cotter
- 6 Clip

- ! This is a component of an assembly
- Replacement
- T-A Replacement
- T-B Overhaul
- A Over-size (0,25mm) part.
- B Under-size (0,25mm) part.

Engine

GM Series Tier 1 (1998-2003) - RS10 - GM40

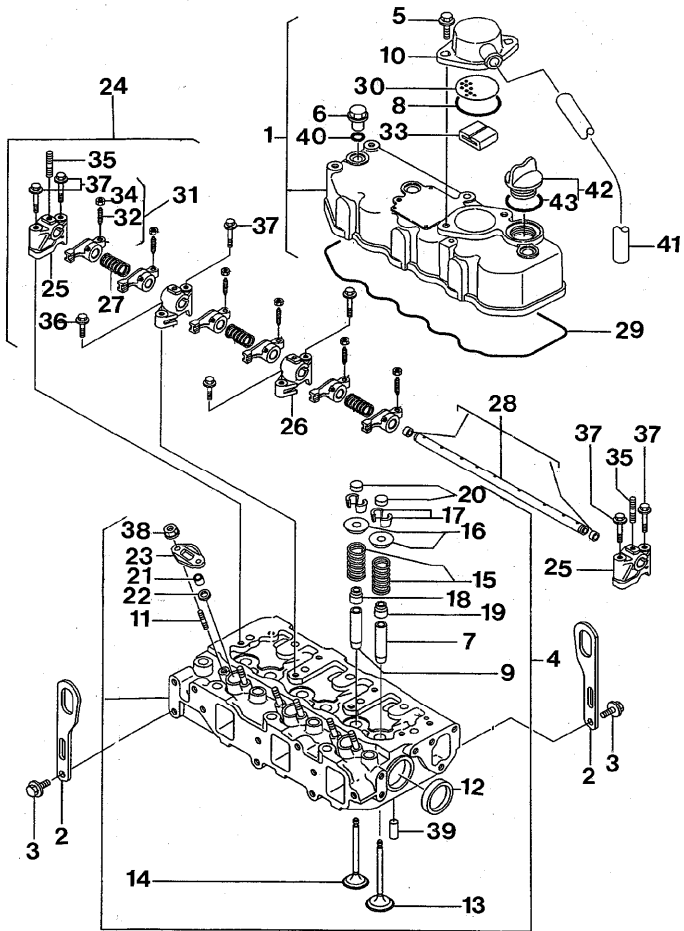
Mistral\00001383.png

A-05
04



A0504

Cylinder head - rocker shaft - engine yanmar type "3tne 88 - lan"



		Inglese	
1	3653382M1	T-A 1:50 T-C 0:75	1 Cover
2	3653331M1	T-A 0:25	2 Stirrup
3	3653857M1		4 Bolt
4	3653360M1	T-A 5:0 T-C 2:25	1 Cylinder head
5	3653858M1	! 1	2 Bolt
6	3653317M1	! 1	3 Plug
7	3653298M1	! 4 (X) 0.6.12.2 T-A 8:75	3 Guide
8	3653843M1	! 1	1 O ring
9	3653445M1	T-A 0:25 ! 4 (X) 0.6.12.2 T-A 8:75	3 Guide
10	3653434M1	! 1 T-A 0:25	1 Cover
11	3653873M1	! 4	6 Stud
12	3653890M1	! 4	2 Plug
13	3653380M1	! 4 T-A 7:75	3 Valve
14	3653381M1	! 4 ● 3653381M2(3) T-A 7:75	3 Valve

Engine

GM Series Tier 1 (1998-2003) - RS10 - GM40

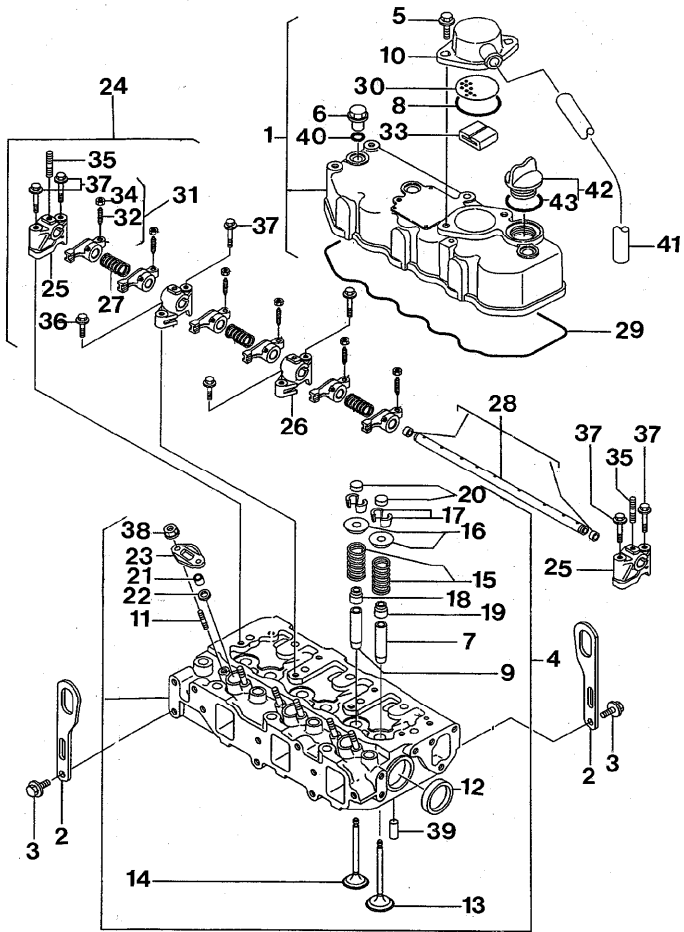
Mistral\00001383.png

A-05
04



A0504

Cylinder head - rocker shaft - engine yanmar type "3tne 88 - lan"



		Inglese	
15	3653792M1	! 4 (X) 0.2.4.1 T-A 7:75	6 Spring
16	3653793M1	! 4 (X) 0.6.12.2 T-A 7:75	6 Nameplate
17	3653891M1	! 4 T-A 7:75	6 Clip
18	3653304M1	! 4 (X) 0.6.12.2 T-A 7:75	3 Thimble
19	3653323M1	! 4 (X) 0.6.12.2 T-A 7:75	3 Thimble
20	3653443M1	! 4 T-A 7:75	6 Shim
21	3653265M1	! 4 T-A 7:75	3 Guard
22	3653266M1	! 4 T-A 7:75	3 Washer
23	3653267M1	! 4 T-A 7:75	3 Nameplate
24	3653468M1		1 Shaft
25	3653469M1	! 24 T-A 2:0	2 Support

Engine

GM Series Tier 1 (1998-2003) - RS10 - GM40

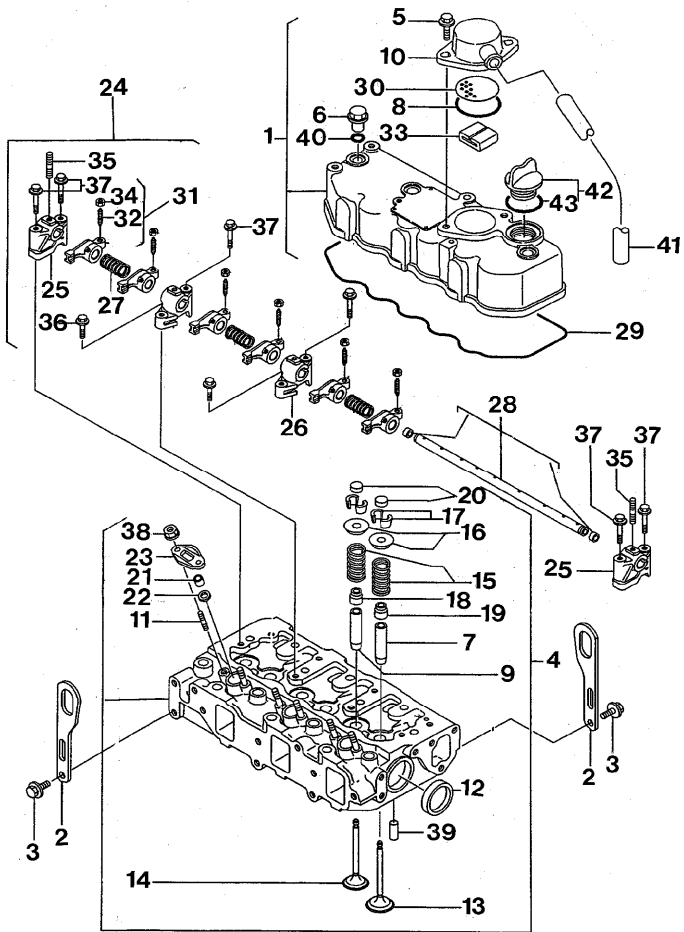
A-05
04



A0504

Cylinder head - rocker shaft - engine yanmar type "3tne 88 - lan"

Mistral\00001383.png



				Inglese
26	3653470M1	!	24	2 Support
		T-A	2:0	
27	3653440M1	!	24	3 Spring
		T-A	2:0	
28	3653441M1	!	24	1 Shaft
		(X)	0.1.2.	
		T-A	2:75	
29	3653442M1	!	1	1 Gasket
		T-A	1:50	
30	3653436M1	!	1	1 Plate
		T-A	0:25	
31	3653895M1	!	24	6 Rocker
		T-C	2:0	
32	3653439M1	!	31	6 Screw
33	3653435M1	!	1	1 Guard
		T-A	0:25	
34	3653444M1	!	31	6 Nut
35	3653875M1	!	24	3 Bolt
36	3653860M1	!	24	2 Bolt
37	3653864M1	!	24	6 Bolt
38	3653876M1	!	4	6 Nut
39	3653818M1	!	4	2 Pin
40	3653831M1	!	1	3 O ring
		T-A	0:25	
41	3653437M1	!	1	1 Pipe
		T-A	0:25	

Engine

A-05
04

Cylinder head - rocker shaft - engine yanmar type "3tne 88 - lan"

GM Series Tier 1 (1998-2003) - RS10 - GM40



A0504

Mistral\00001383.png

Inglese

42	3653315M1	!	1	1 Plug
		T-A	0:25	
43	3653835M1	!	42	1 O ring
		T-A	0:25	

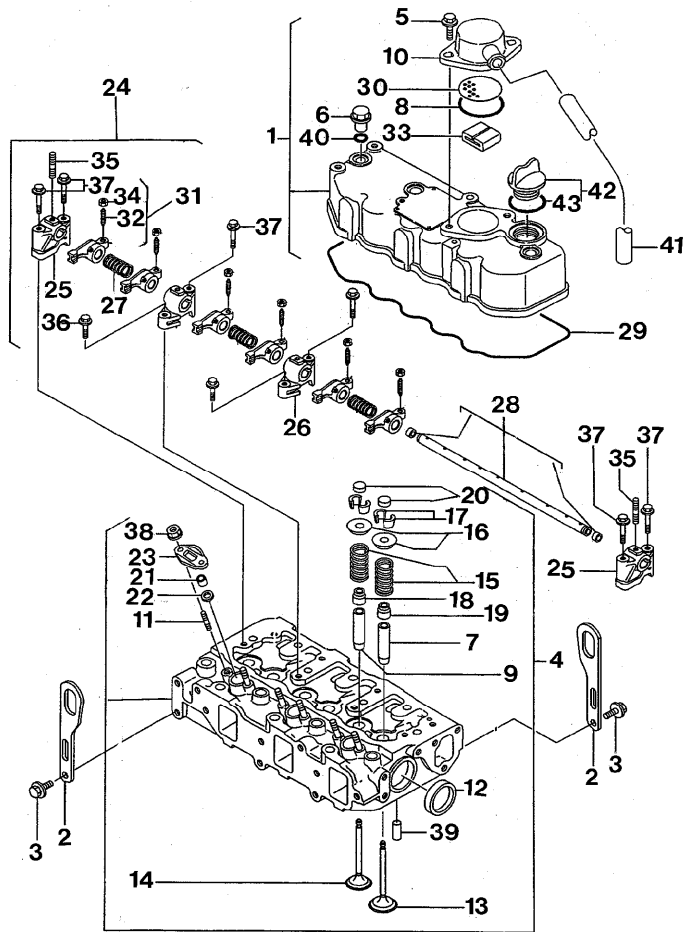
! This is a component of an assembly

● Replacement

(X) Qty per tractors sold (aa.bbb.ccc.ddd) (aa) for 1,(bbb) 2-10 (ccc) 11-25 (ddd) 26-50

T-A Replacement

T-C Setting



Buy Now



Our support email:

ebooklibonline@outlook.com