

Engine

GM Series Tier 1 (1998-2003) - RS10 - GM45

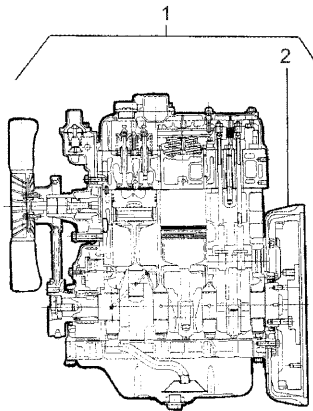
Mistral\00010157.png

A-05
01



A0501

Engine assembly - engine yanmar type "4tne 84 - lan"



			Inglese
1	3684713M91	A	1 Engine
		B	
		T-A 31:0	
1	4202765M91	A	1 Engine
		T-A 13:0	
		T-B 31:0	
2	4204280M91	! 1	1 Flywheel
		● 3653762M1(1)	
		T-A 10:25	
	!	This is a component of an assembly	
	●	Replacement	
	T-A	Replacement	
	T-B	Overhaul	
	A	Complete with flywheel	
	B	Short engine	

Engine

GM Series Tier 1 (1998-2003) - RS10 - GM45

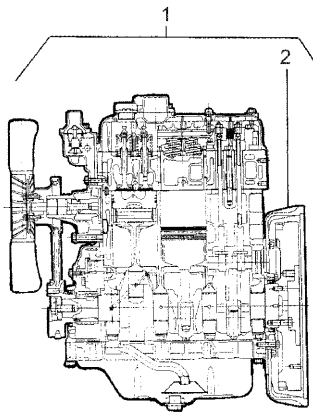
Mistral\00010157.png

A-05
015



A05015

Engine assembly - engine yanmar type "4tne 84 - elan"



- 1 4204519M94 ● N.L.A.(1)
A
T-A 13:0
T-B 31:0
- 2 4204280M91 ! 1
● 3653762M1(1)
T-A 10:25

Inglese

1 Engine

1 Flywheel

! This is a component of an assembly

- Replacement
- T-A Replacement
- T-B Overhaul
- A Complete with flywhell

Engine

GM Series Tier 1 (1998-2003) - RS10 - GM45

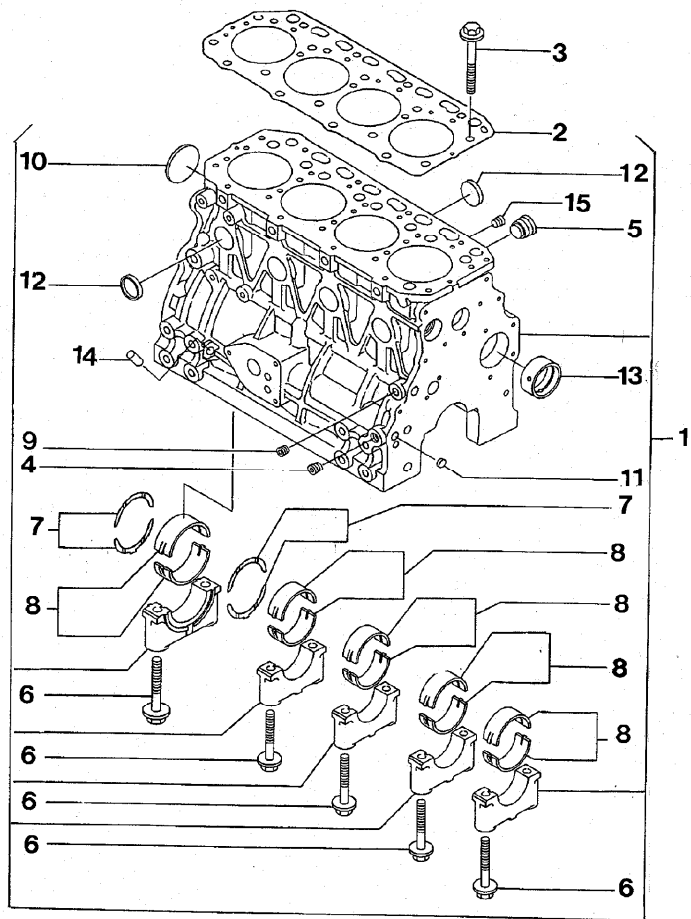
A-05
02



A0502

Cylinder block - engine yanmar type "4tne 84 - lan"

Mistral\00001425.png



				Inglese
1	3653900M1	T-A 33:0		1 Block
2	3653754M1	T-A 5:50		1 Gasket
3	3653428M1			18 Stud
4	3653316M1	! 1		2 Plug
		T-A 0:25		
5	3653796M1	! 1		1 Plug
		T-A 0:25		
6	3653429M1	! 1		10 Bolt
7	3653432M1	! 1		2 Ring
		● 4215968M1(2)		
		T-A 16:50		
7	3653433M1	● 4215970M1(2)		2 Ring
		A		
		T-A 16:50		
8	3653336M1	! 1		5 Kit
		● 4215967M1(5)		
		T-A 16:50		
8	3653431M1	● 3653431M2(5)		5 Ring
		B		
		T-A 16:50		
9	3653825M1	! 1		1 Plug
		T-A 0:25		
10	3653887M1	! 1		1 Plug
		T-A 0:75		
11	3653888M1	! 1		2 Plug

Engine

GM Series Tier 1 (1998-2003) - RS10 - GM45

A-05
02

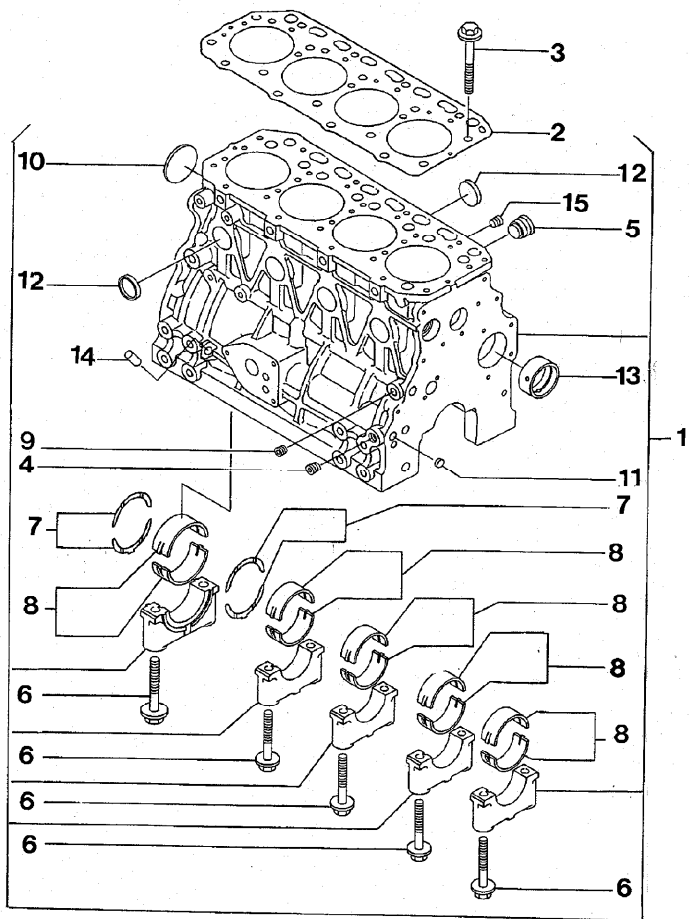


A0502

Cylinder block - engine yanmar type "4tne 84 - lan"

Mistral\00001425.png

Inglese



12	3653889M1	!	1	8	Plug
		●	3653889M2(8)		
		T-A	0:75		
13	3653791M1	!	1	1	Bearing
		T-A	31:0		
14	3653886M1	!	1	1	Plug
15	3653826M1	!	1	1	Plug

! This is a component of an assembly

● Replacement

T-A Replacement

A Over-size (0,25mm) part.

B Under-size (0,25mm) part.

Engine

GM Series Tier 1 (1998-2003) - RS10 - GM45

A-05
025

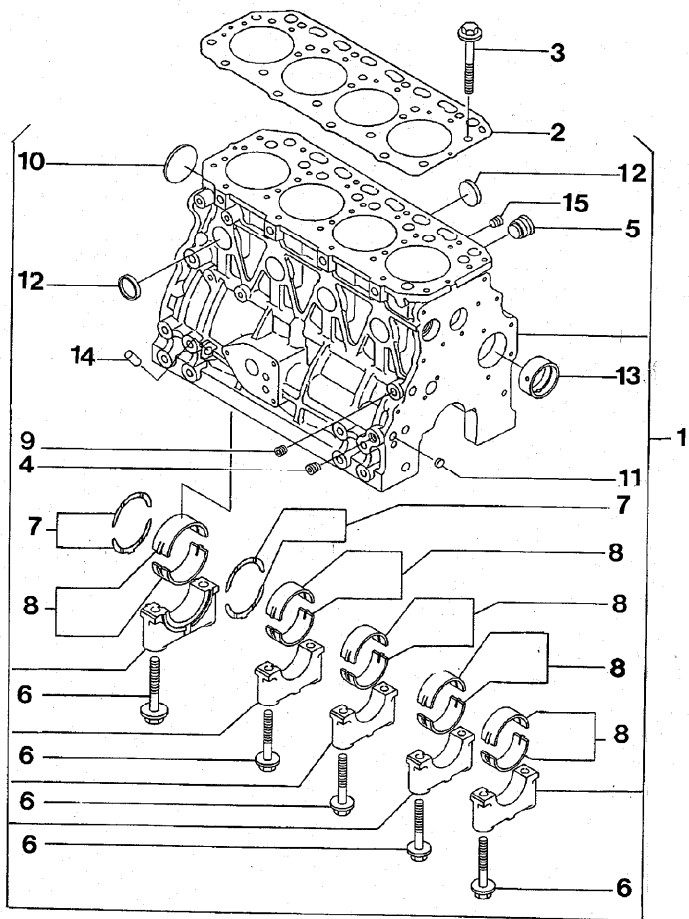


A05025

Cylinder block - engine yanmar type "4tne 84 - elan"

Mistral\00001425.png

Inglese



1	3666912M1	●	3653900M1(1)	1	Cylinder
		T-A	33:0		
2	3653754M1	T-A	5:50	1	Gasket
3	3653428M1			18	Stud
4	3653316M1	!	1	2	Plug
		T-A	0:25		
5	3653796M1	!	1	1	Plug
		T-A	0:25		
6	3653429M1	!	1	10	Bolt
7	3653432M1	!	1	2	Ring
		●	4215968M1(2)		
		T-A	16:50		
7	3653433M1	●	4215970M1(2)	2	Ring
		A			
		T-A	16:50		
8	3653336M1	!	1	5	Kit
		●	4215967M1(5)		
		T-A	16:50		
8	3653431M1	●	3653431M2(5)	5	Ring
		B			
		T-A	16:50		
9	3665017M1	!	1	1	Plug
		T-A	0:25		
10	3664445M1	!	1	1	Plug
		T-A	0:75		
11	3653888M1	!	1	2	Plug

Engine

GM Series Tier 1 (1998-2003) - RS10 - GM45

A-05
025

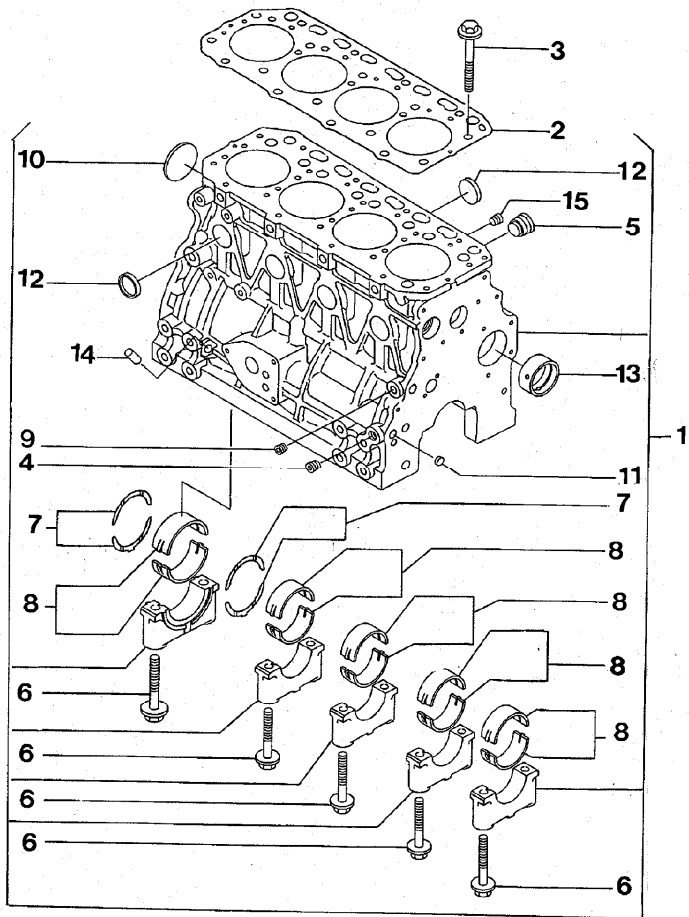


A05025

Cylinder block - engine yanmar type "4tne 84 - elan"

Mistral\00001425.png

Inglese



12	3653889M1	!	1	8	Plug
		●	3653889M2(8)		
		T-A	0:75		
13	3653791M1	!	1	1	Bearing
		T-A	31:0		
14	3653886M1	!	1	1	Plug
15	3665018M1	!	1	1	Plug

! This is a component of an assembly

● Replacement

T-A Replacement

A Over-size (0,25mm) part.

B Under-size (0,25mm) part.

Engine

GM Series Tier 1 (1998-2003) - RS10 - GM45

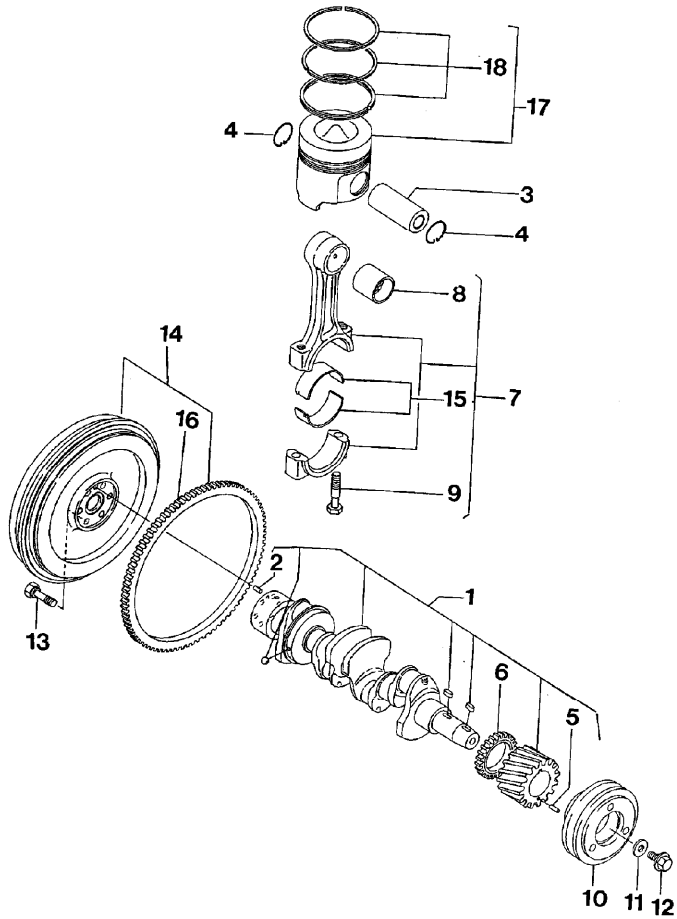
Mistral\00001426.png

A-05
03



A0503

Crankshaft, pistons and connecting rods - engine yanmar type "4tne 84 - lan"



				Inglese
1	3653902M1	T-A 16:50	1	Shaft
		T-B 18:50		
2	3653378M1	! 1	1	Dowel
3	3653731M1	T-A 17:50	4	Cotter
4	3653815M1		8	Clip
5	3653308M1	! 1	1	Dowel
6	3653738M1	! 1	1	Gear
		T-A 20:0		
7	3653897M1	T-A 17:50	4	Conrod
		T-B 18:0		
8	3653383M1	! 7	4	Bearing
		T-A 17:50		
9	3653307M1	! 7	8	Bolt
10	3653763M1	● 4216750M1(1), 6510420M1(1)	1	Pulley
		T-A 20:0		
11	3653794M1		1	Washer
12	3653309M1		1	Bolt
13	3653301M1		6	Bolt
14	3653762M1	T-A 10:50	1	Flywheel
15	3653450M1	! 7	4	Bearing
		● 4216034M1(4)		
		T-A 17:50		
15	3653451M1	! 7	4	Bearing
		B		
		T-A 17:50		

Engine

GM Series Tier 1 (1998-2003) - RS10 - GM45

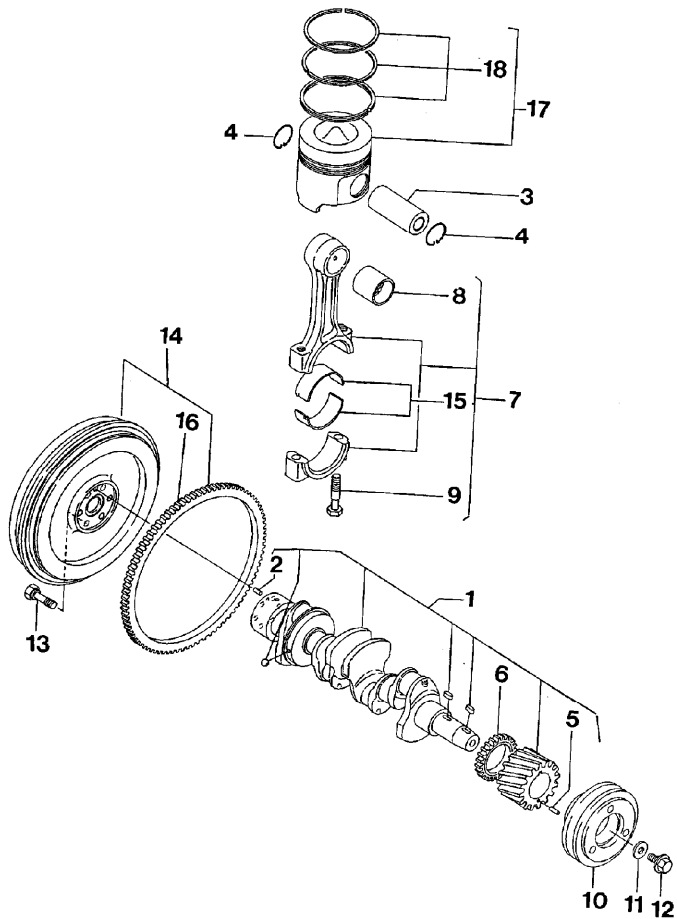
**A-05
03**



A0503

Crankshaft, pistons and connecting rods - engine yanmar type "4tne 84 - lan"

Mistral\00001426.png



				Inglese
16	3653297M1	!	14	1 Crownwheel
		T-A	10:50	
17	3653353M1	(X)	0.4.8.2	4 Piston
		T-A	17:50	
17	3653355M1	A		4 Piston
		(X)	0.4.8.2	
		T-A	17:50	
18	3653354M1	!	17	4 Kit
		T-A	17:50	
18	3653356M1	!	17	4 Kit
		A		
		T-A	17:50	
!				
This is a component of an assembly				
● Replacement				
(X) Qty per tractors sold (aa.bbb.ccc.ddd) (aa) for 1,(bbb) 2-10 (ccc) 11-25 (ddd) 26-50				
T-A Replacement				
T-B Overhaul				
A Over-size (0,25mm) part.				
B Under-size (0,25mm) part.				

Engine

GM Series Tier 1 (1998-2003) - RS10 - GM45

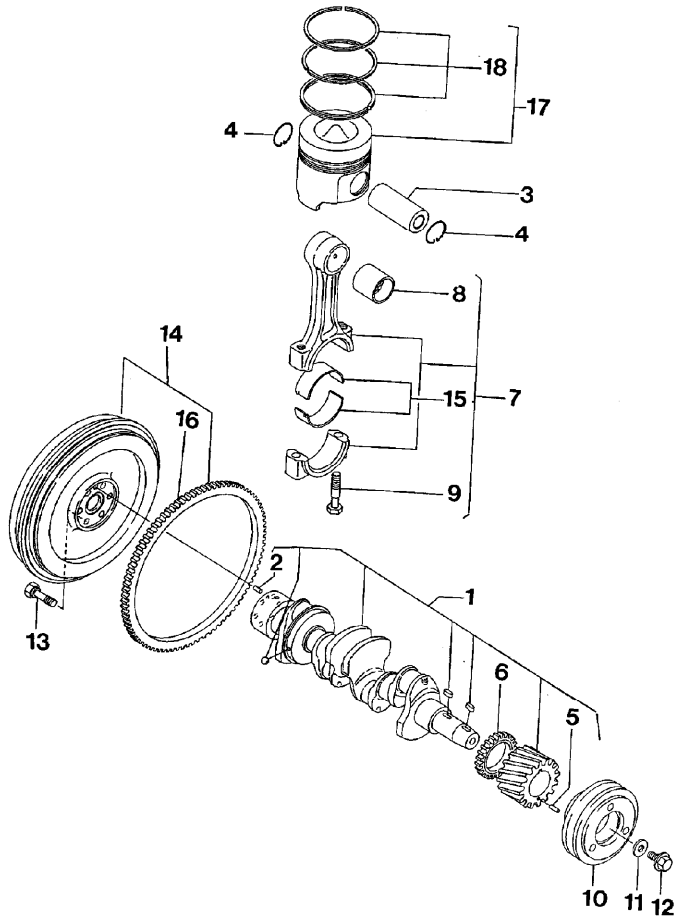
Mistral\00001426.png

A-05
035



A05035

Crankshaft, pistons and connecting rods - engine yanmar type "4tne 84 - elan"



				Inglese
1	3653902M1	T-A 16:50		1 Shaft
		T-B 18:50		
2	3653378M1	!	1	1 Dowel
3	3653731M1	T-A 17:50		4 Cotter
		T-B 16:75		
4	3653815M1			8 Clip
5	3653308M1	!	1	1 Dowel
6	3664468M1	!	1	1 Gear
		T-A 20:0		
7	3653897M1	T-A 17:50		4 Conrod
		T-B 18:0		
8	3653383M1	!	7	4 Bearing
		T-A 17:50		
9	3653307M1	!	7	8 Bolt
10	3653763M1	●	4216750M1(1), 6510420M1(1)	1 Pulley
		T-A 20:0		
11	3653794M1			1 Washer
12	3653309M1			1 Bolt
13	3653301M1			6 Bolt
14	3653762M1	T-A 10:50		1 Flywheel
15	3653450M1	!	7	4 Bearing
		●	4216034M1(4)	
		T-A 17:50		

Engine

GM Series Tier 1 (1998-2003) - RS10 - GM45

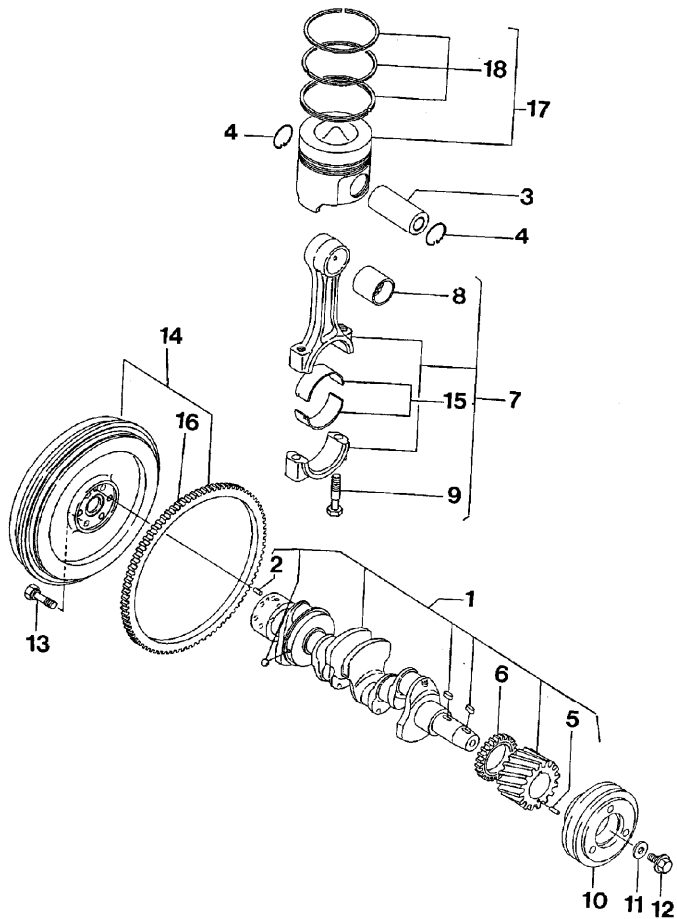
Mistral\00001426.png

**A-05
035**



A05035

Crankshaft, pistons and connecting rods - engine yanmar type "4tne 84 - elan"



			Inglese
15	3653451M1	! 7	4 Bearing
		B	
		T-A 17:50	
16	3653297M1	! 14	1 Crownwheel
		T-A 10:50	
17	3664436M1	A	4 Piston
		T-A 17:50	
17	3664451M1	T-A 17:50	4 Piston
18	3653354M1	! 17	4 Kit
		T-A 17:50	
18	3653356M1	! 17	4 Kit
		A	
		T-A 17:50	
! This is a component of an assembly			
● Replacement			
T-A Replacement			
T-B Overhaul			
A Over-size (0,25mm) part.			
B Under-size (0,25mm) part.			

Engine

GM Series Tier 1 (1998-2003) - RS10 - GM45

A-05
04

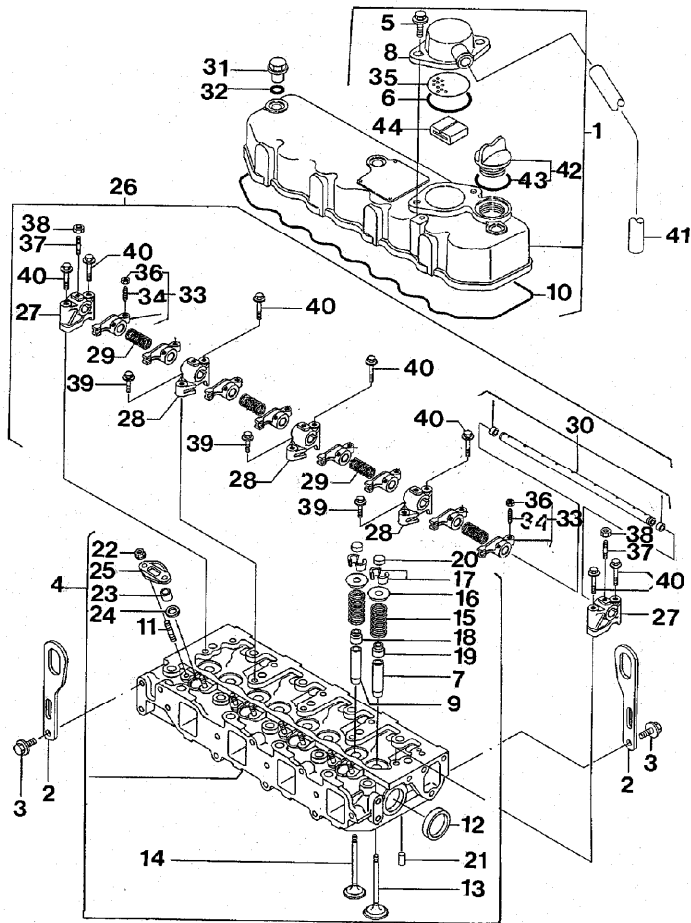


A0504

Cylinder head - rocker shaft - engine yanmar type "4tne 84 - lan"

Mistral\00001428.png

Inglese



1	3653735M1	T-A 1:50	1	Cover
		T-C 1:25		
2	3653331M1	T-A 0:25	2	Stirrup
3	3653857M1		4	Bolt
4	3653761M1	T-A 5:0	1	Bush
		T-C 2:25		
5	3653858M1	!	2	Bolt
6	3653843M1	!	1	O ring
		T-A 0:25		
7	3653298M1	!	4	Guide
		(X) 0.6.12.2		
		T-A 8:75		
8	3653434M1	!	1	Cover
		T-A 0:25		
9	3653445M1	!	4	Guide
		(X) 0.6.12.2		
		T-A 8:75		
10	3653777M1	!	1	Gasket
		T-A 1:50		
11	3653873M1	!	8	Stud
12	3653890M1	!	2	Plug
13	3653380M1	!	3	Valve
		T-A 7:75		
14	3653381M1	!	3	Valve
	●	3653381M2(3)		
		T-A 7:75		

Engine

GM Series Tier 1 (1998-2003) - RS10 - GM45

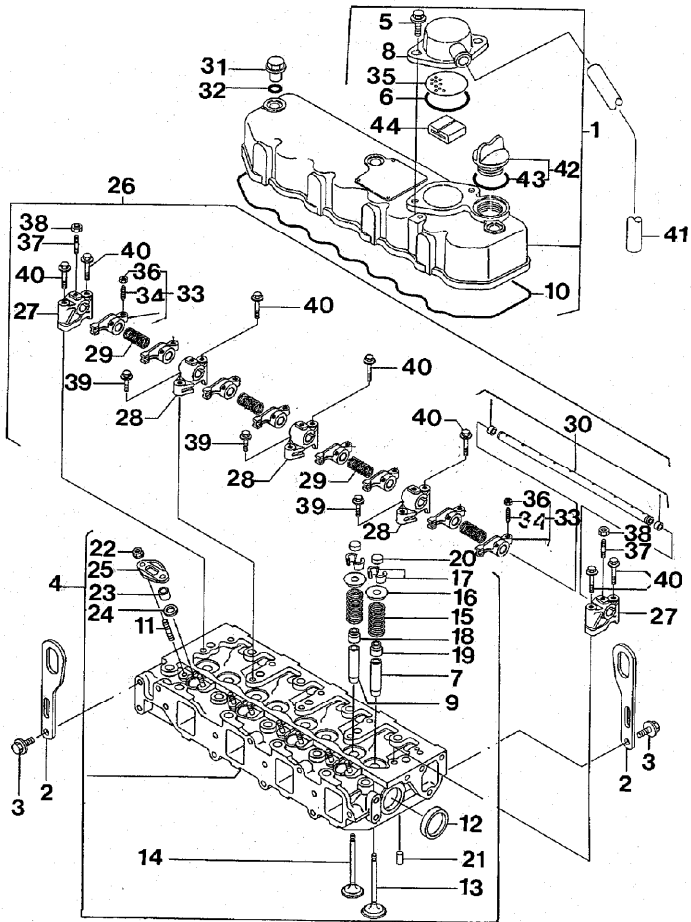
Mistral\00001428.png

A-05
04



A0504

Cylinder head - rocker shaft - engine yanmar type "4tne 84 - lan"



			Inglese
15	3653792M1	! 4 (X) 0.2.4.1 T-A 7:75	8 Spring
16	3653793M1	! 4 (X) 0.6.12.2 T-A 7:75	8 Nameplate
17	3653891M1	! 4 (X) 0.6.12.2 T-A 7:75	8 Clip
18	3653304M1	! 4 (X) 0.6.12.2 T-A 7:75	4 Thimble
19	3653323M1	! 4 (X) 0.6.12.2 T-A 7:75	4 Thimble
20	3653443M1	! 4 T-A 7:75	8 Shim
21	3653818M1	! 4	2 Pin
22	3653876M1	! 4	8 Nut
23	3653265M1	! 4 T-A 7:75	4 Guard
24	3653266M1	! 4	4 Washer
25	3653267M1	! 4 T-A 7:75	4 Nameplate
26	3653948M1		1 Shaft
27	3653469M1	! 26	2 Support

Engine

GM Series Tier 1 (1998-2003) - RS10 - GM45

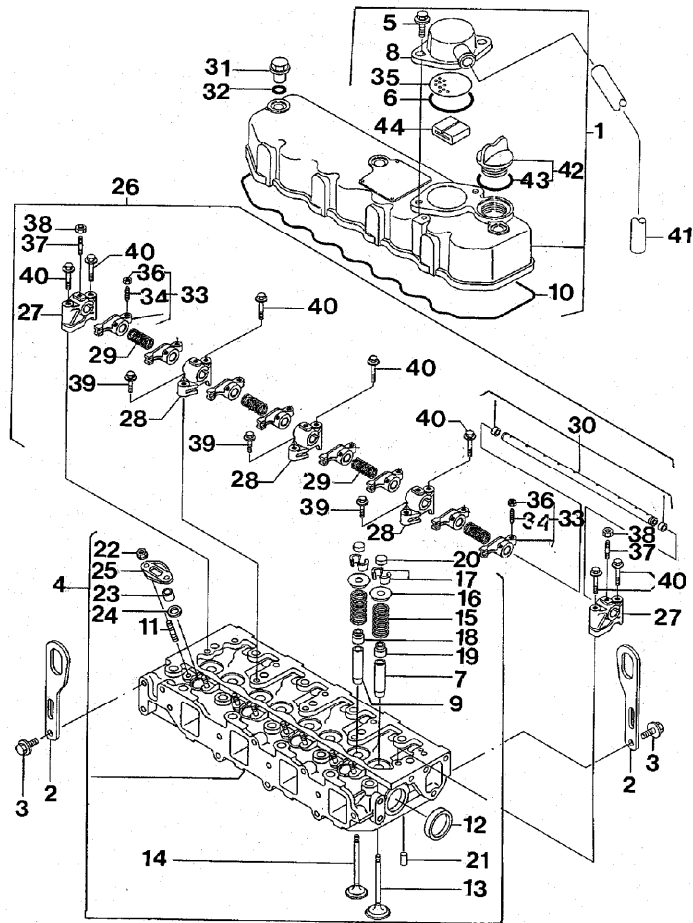
A-05
04



A0504

Cylinder head - rocker shaft - engine yanmar type "4tne 84 - lan"

Mistral\00001428.png



		Inglese			
28	3653470M1	!	26	3	Support
		T-A	2:0		
29	3653440M1	!	26	4	Spring
		T-A	2:0		
30	3653776M1	!	26	1	Shaft
		(X)	0.1.2.		
		T-A	2:75		
31	3653317M1			3	Plug
32	3653831M1	!	31	3	O ring
33	3653895M1	!	26	8	Rocker
		T-A	2:0		
34	3653439M1	!	33	1	Screw
35	3653436M1	!	1	1	Plate
36	3653444M1	!	33	1	Nut
37	3653875M1	!	26	3	Bolt
38	3653884M1	!	26	3	Nut
39	3653860M1	!	26	3	Bolt
40	3653864M1	!	26	7	Bolt
41	3653437M1	T-A	0:25	1	Pipe
42	3653315M1	!	1	1	Plug
		T-A	0:25		
43	3653835M1	!	42	1	O ring
		T-A	0:25		
44	3653435M1	!	1	1	Guard

! This is a component of an assembly
 ● Replacement

Engine

GM Series Tier 1 (1998-2003) - RS10 - GM45

A-05
04

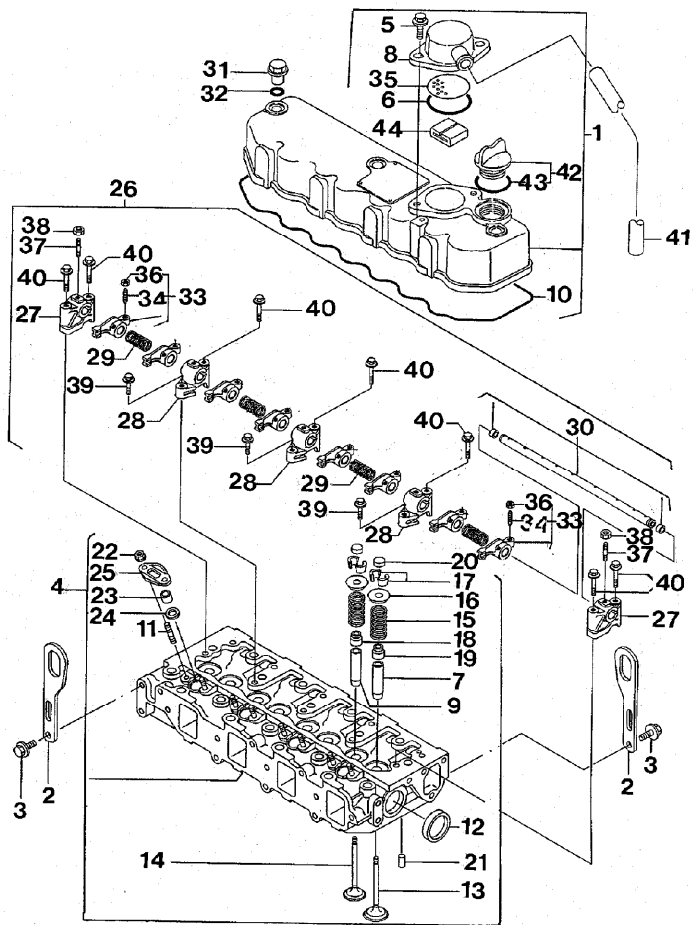


A0504

Cylinder head - rocker shaft - engine yanmar type "4tne 84 - lan"

Mistral\00001428.png

- (X) Qty per tractors sold (aa.bbb.ccc.ddd) (aa) for 1,(bbb) 2-10 (ccc) 11-25 (ddd) 26-50
- T-A Replacement
- T-C Setting



Buy Now



Our support email:

ebooklibonline@outlook.com