

Engine

GX Series Tier 1 (2002-2004) - RP80 - GX40 / GXH40

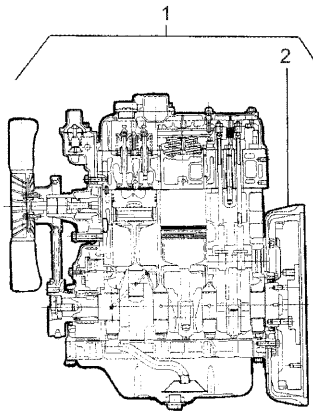
Mistral GX\00010157.png

A-05
01



A0501

Engine assembly - engine yanmar type "3tne 88"



- | | | | | | |
|---|------------|-----|-------------------------------|---------|------------|
| 1 | 4204518M94 | ● | N.L.S.(1) | Inglese | 1 Engine |
| | | A | | | |
| | | T-A | 12:0 | | |
| | | T-B | 30:0 | | |
| 2 | 4202641M91 | ! | 1 | | 1 Flywheel |
| | | ● | 3653297M1(1),
3653361M1(1) | | |
| | | T-A | 10:50 | | |
- ! This is a component of an assembly
 ● Replacement
 T-A Replacement
 T-B Overhaul
 A Complete with flywhell

Engine

GX Series Tier 1 (2002-2004) - RP80 - GX40 / GXH40

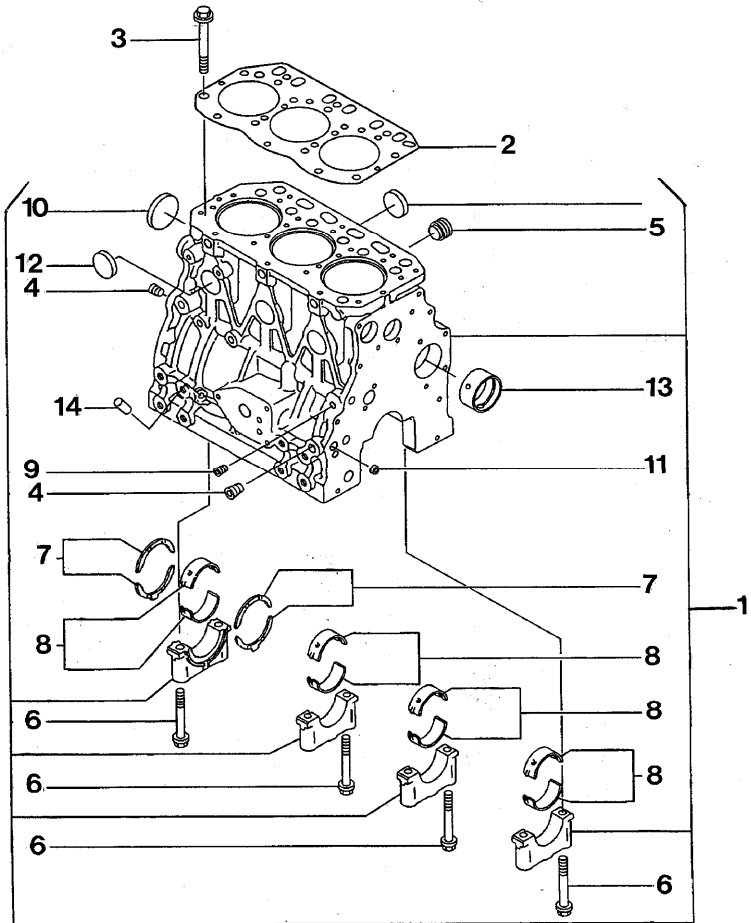
A-05
02



A0502

Cylinder block - engine yanmar type "3tne 88"

Mistral GX\00001385.png



				Inglese
1	3653892M1	T-A	33:0	1 Block
2	3653335M1	(X)	0.1.2.	1 Gasket
		T-A	5:0	
3	3653428M1			14 Stud
4	3653316M1	!	1	3 Plug
		T-A	0:25	
5	3653796M1	!	1	1 Plug
		T-A	0:25	
6	3653429M1	!	1	8 Bolt
7	3653432M1	!	1	2 Ring
	●		4215968M1(2)	
		T-A	16:50	
7	3653433M1	●	4215970M1(2)	2 Ring
		A		
		T-A	16:50	
8	3653336M1	!	1	4 Kit
	●		4215967M1(4)	
		T-A	16:50	
8	3653431M1	●	3653431M2(4)	4 Ring
		B		
		T-A	16:50	
9	3665017M1	!	1	1 Plug
		T-A	0:25	
10	3664445M1	!	1	1 Plug
11	3653888M1	!	1	2 Plug

Engine

GX Series Tier 1 (2002-2004) - RP80 - GX40 / GXH40

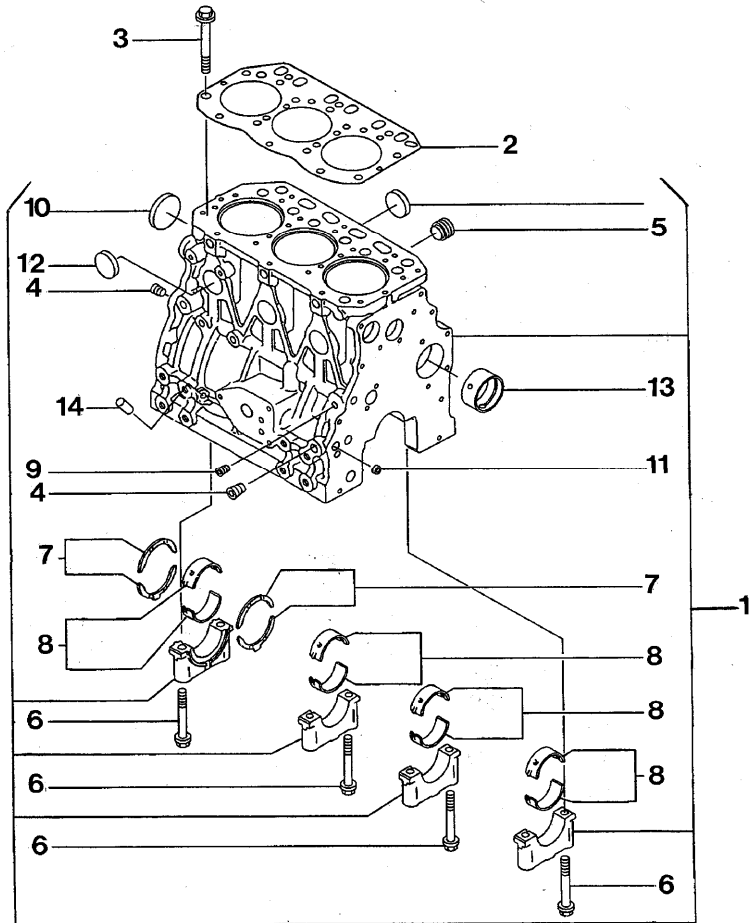
A-05
02



A0502

Cylinder block - engine yanmar type "3tne 88"

Mistral GX\00001385.png



		Inglese		
12	3653889M1	!	1	6 Plug
		●	3653889M2(6)	
		T-A	0:75	
13	3653791M1	!	1	1 Bearing
		(X)	0.1.2.	
		T-A	31:0	
14	3653886M1	!	1	1 Plug
	!	This is a component of an assembly		
	●	Replacement		
	(X)	Qty per tractors sold (aa.bbb.ccc.ddd) (aa) for 1,(bbb) 2-10 (ccc) 11-25 (ddd) 26-50		
	T-A	Replacement		
	A	Over-size (0,25mm) part.		
	B	Under-size (0,25mm) part.		

Engine

GX Series Tier 1 (2002-2004) - RP80 - GX40 / GXH40

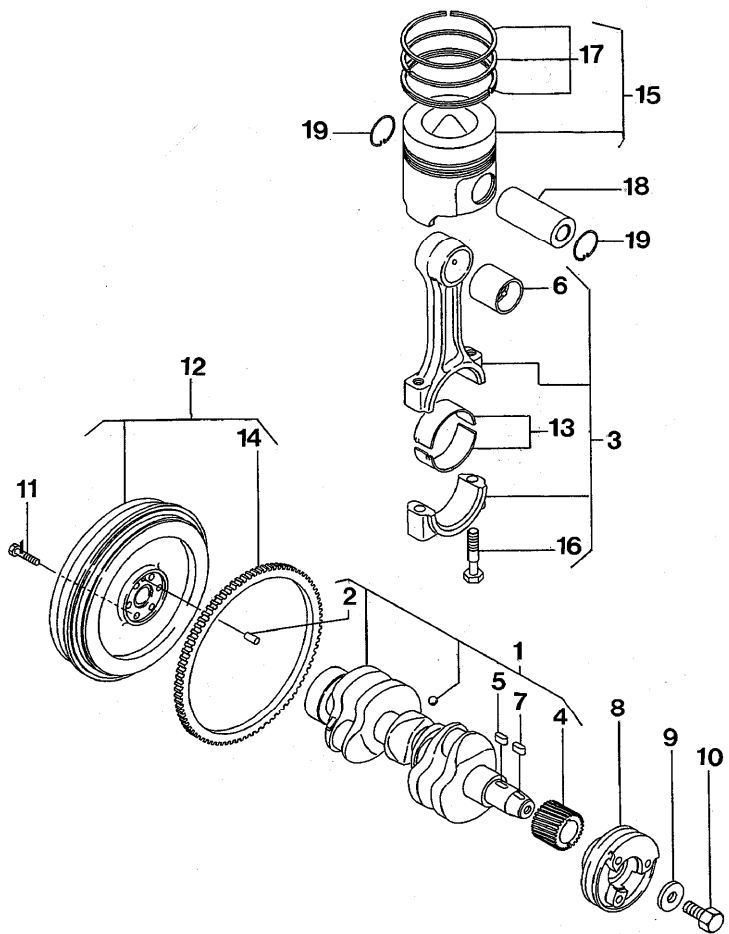
A-05
03



A0503

Crankshaft, pistons and connecting rods - - engine yanmar type "3tne 88"

Mistral GX\00001384.png



				Inglese
1	3653341M1	T-A 17:0		1 Shaft
2	3653378M1	! 1		1 Dowel
3	3653897M1	T-A 17:0		3 Conrod
		T-B 15:25		
4	3653449M1	! 1		1 Gear
		T-A 20:0		
5	3653820M1	! 1		1 Key
		T-A 20:0		
6	3653383M1	! 3		3 Bearing
		T-A 17:0		
7	3653820M1	! 1		1 Key
8	3653362M1	T-A 20:0		1 Pulley
9	3653794M1			1 Washer
10	3653309M1			1 Bolt
11	3653301M1			6 Bolt
12	3653361M1	T-A 10:25		1 Flywheel
13	3653450M1	! 3		3 Bearing
	● 4216034M1(3)			
		T-A 16:50		
13	3653451M1	B		3 Bearing
		T-A 16:50		
14	3653297M1	T-A 10:25		1 Crownwheel
15	3664446M1	(X) 0.3.6.1		3 Piston
15	3664447M1	A		3 Piston
		(X) 0.3.6.1		

Engine

GX Series Tier 1 (2002-2004) - RP80 - GX40 / GXH40

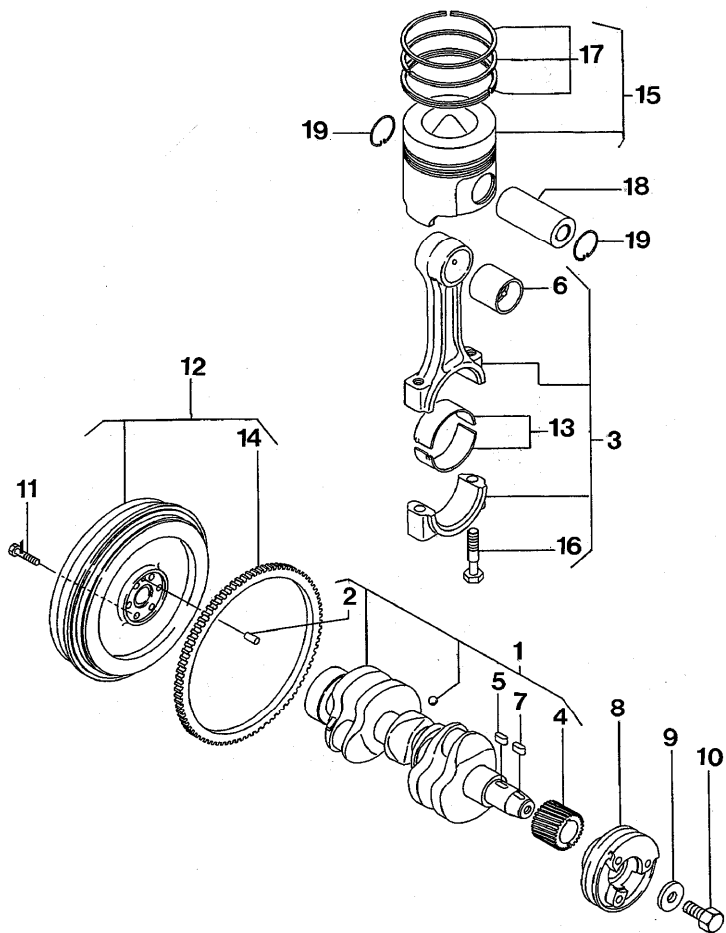
**A-05
03**



A0503

Crankshaft, pistons and connecting rods - - engine yanmar type "3tne 88"

Mistral GX\00001384.png



Inglese

- | | | | |
|----|-----------|----------|----------|
| 16 | 3653307M1 | | 6 Bolt |
| 17 | 3653343M1 | ! | 3 Kit |
| 17 | 3653345M1 | A | 3 Kit |
| 18 | 3653731M1 | T-A 17:0 | 3 Cotter |
| 19 | 3653815M1 | | 6 Clip |

! This is a component of an assembly

● Replacement

(X) Qty per tractors sold (aa.bbb.ccc.ddd) (aa) for 1,(bbb) 2-10 (ccc) 11-25 (ddd) 26-50

T-A Replacement

T-B Overhaul

A Over-size (0,25mm) part.

B Under-size (0,25mm) part.

Engine

GX Series Tier 1 (2002-2004) - RP80 - GX40 / GXH40

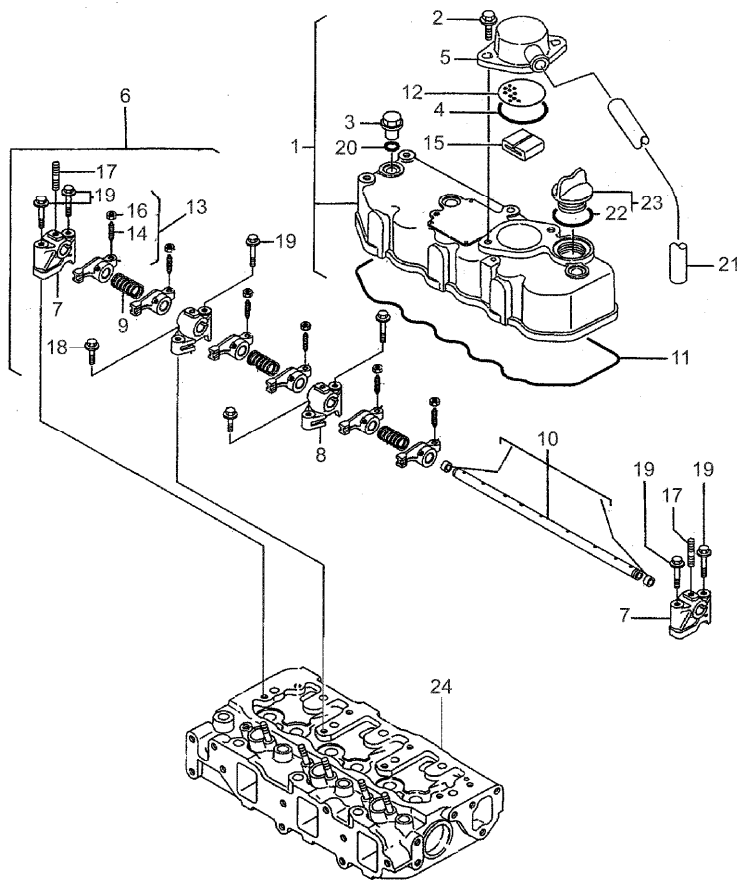
A-05
04



A0504

Cylinder head - rocker shaft - engine yanmar type "3tne 88"

Mistral GX\00010158.png



Inglese

1	3653382M1	T-A 1:50	1	Cover
		T-C 0:75		
2	3653858M1	!	1	Bolt
3	3653317M1	!	1	Plug
4	3653843M1	!	1	O ring
		T-A 0:25		
5	3653434M1	!	1	Cover
		T-A 0:25		
6	3653468M1		1	Shaft
7	3653469M1	!	6	Support
		T-A 2:0		
8	3653470M1	!	6	Support
		T-A 2:0		
9	3653440M1	!	6	Spring
		T-A 2:0		
10	3653441M1	!	6	Shaft
		(X) 0.1.2.		
		T-A 2:75		
11	3653442M1	!	1	Gasket
		T-A 1:50		
12	3653436M1	!	1	Plate
		T-A 0:25		
13	3653895M1	!	6	Rocker
		T-C 2:0		
14	3653439M1	!	13	Screw
15	3653435M1	!	1	Guard

Engine

GX Series Tier 1 (2002-2004) - RP80 - GX40 / GXH40

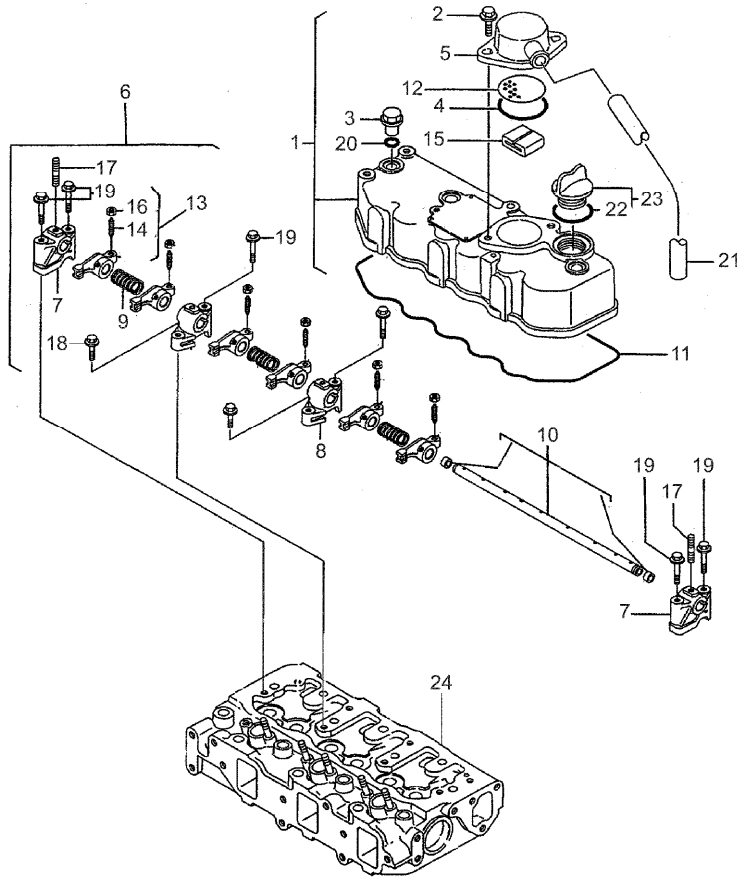
**A-05
04**



A0504

Cylinder head - rocker shaft - engine yanmar type "3tne 88"

Mistral GX\00010158.png



Inglese

16	3653444M1	!	13	6	Nut
17	3653875M1	!	6	3	Bolt
18	3653860M1	!	6	2	Bolt
19	3653864M1	!	6	6	Bolt
20	3653831M1	!	1	3	O ring
21	3653437M1	!	1	1	Pipe
			T-A	0:25	
22	3653315M1	!	1	1	Plug
			T-A	0:25	
23	3653835M1	!	22	1	O ring
			T-A	0:25	
24		⊕	A-05 045		

! This is a component of an assembly

⊕ See page - reference number

(X) Qty per tractors sold (aa.bbb.ccc.ddd) (aa) for 1,(bbb) 2-10 (ccc) 11-25 (ddd) 26-50

T-A Replacement

T-C Setting

Engine

GX Series Tier 1 (2002-2004) - RP80 - GX40 / GXH40

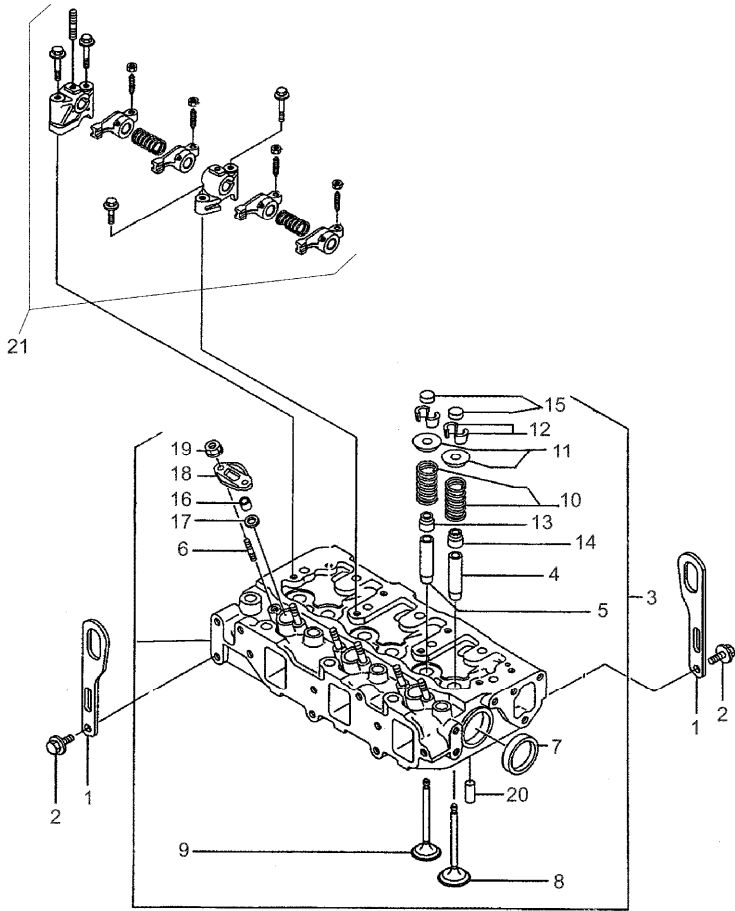
Mistral GX\00010172.png

**A-05
045**



A05045

Cylinder head - rocker shaft - engine yanmar type "3tne 88"



		Inglese	
1	3653331M1 T-A 0:25	2	Stirrup
2	3653857M1	4	Bolt
3	3653360M1 T-A 7:50	1	Cylinder head
4	3653298M1 ! 3 (X) 0.6.12.2 T-A 8:75	3	Guide
5	3653445M1 ! 3 (X) 0.6.12.2 T-A 8:75	3	Guide
6	3653873M1 ! 3	6	Stud
7	3653890M1 ! 3	2	Plug
8	3653380M1 ! 3 T-A 7:75	3	Valve
9	3653381M1 ! 3 ● 3653381M2(3) T-A 7:75	3	Valve
10	3653792M1 ! 3 (X) 0.2.4.1 T-A 7:75	6	Spring
11	3653793M1 ! 3 (X) 0.6.12.2 T-A 7:75	6	Nameplate
12	3653891M1 ! 3 T-A 7:75	6	Clip

Engine

**A-05
045**

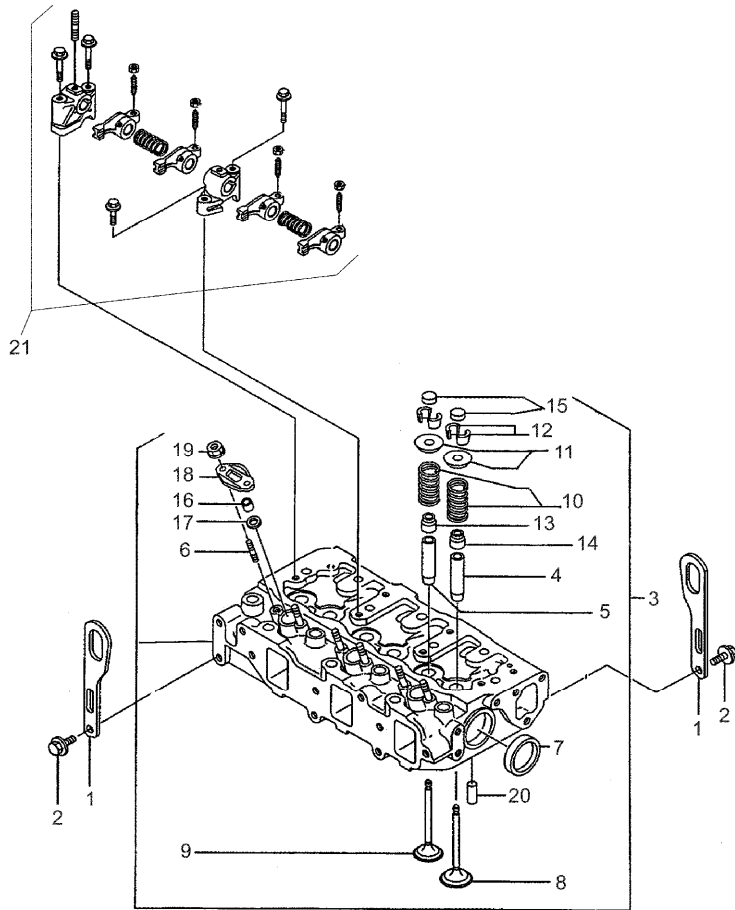
Cylinder head - rocker shaft - engine yanmar type "3tne 88"

GX Series Tier 1 (2002-2004) - RP80 - GX40 / GXH40



A05045

Mistral GX\00010172.png



		Inglese	
13	3653304M1	! 3	3 Thimble
	(X) 0.6.12.2		
	T-A 7:75		
14	3653323M1	! 3	3 Thimble
	(X) 0.6.12.2		
	T-A 7:75		
15	3653443M1	! 3	6 Shim
	T-A 7:75		
16	3653265M1	! 3	3 Guard
	T-A 7:75		
17	3653266M1	! 3	3 Washer
	T-A 7:75		
18	3653267M1	! 3	3 Nameplate
	T-A 7:75		
19	3653876M1	! 3	6 Nut
20	3653818M1	! 3	2 Pin
21	⊕ A-05 04		

! This is a component of an assembly

⊕ See page - reference number

● Replacement

(X) Qty per tractors sold (aa.bbb.ccc.ddd) (aa) for 1,(bbb) 2-10 (ccc) 11-25 (ddd) 26-50

T-A Replacement

Engine

GX Series Tier 1 (2002-2004) - RP80 - GX40 / GXH40

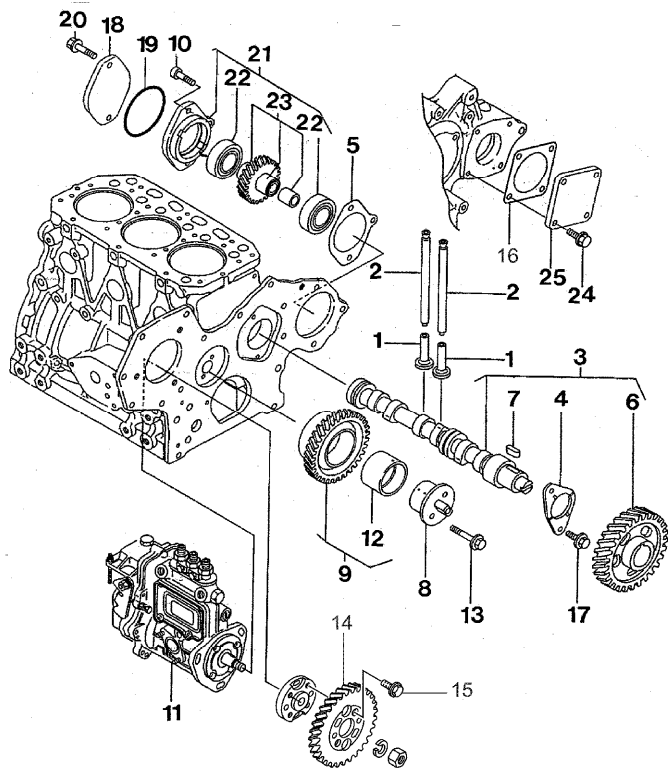
A-05
05



A0505

Timing gear and camshaft - - engine yanmar type "3tne 88"

Mistral GX\00010159.png



				Inglese
1	3653447M1	T-A 31:0		6 Tappet
2	3653448M1	T-A 2:75		6 Rod
3	3653400M1	T-A 31:0		1 Shaft
4	3653430M1	! 3		1 Plate
		T-A 31:0		
5	3653800M1	(X) 0.2.4.		1 Gasket
		T-A 1:0		
6	3653446M1	! 3		1 Gear
		T-A 31:0		
7	3653820M1	! 3		1 Key
		T-A 31:0		
8	3653384M1	T-A 9:50		1 Support
9	3653452M1	T-A 9:50		1 Gear
10	3653879M1			1 Bolt
11		⊕ A-05 10 1		1 Pump
12	3653454M1	! 9		1 Bush
		T-A 9:50		
13	3653863M1			2 Bolt
14	3664455M1	T-A 9:25		1 Gear
15	3664454M1			4 Screw
16	3653321M1	(X) 0.2.4.		1 Gasket
		T-A 0:50		
17	3653857M1			2 Bolt
18	3653300M1	T-A 0:50		1 Cover

Engine

GX Series Tier 1 (2002-2004) - RP80 - GX40 / GXH40

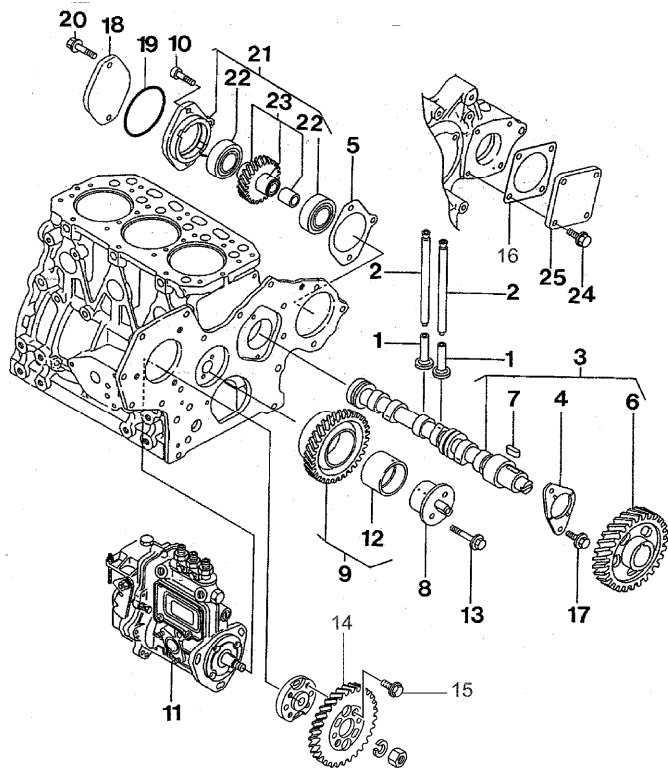
A-05
05



A0505

Timing gear and camshaft - - engine yanmar type "3tne 88"

Mistral GX\00010159.png



Inglese

19	3653839M1	(X)	0.2.4.	1	O ring
			T-A 0:50		
20	3653869M1			1	Bolt
21	3653363M1	T-A	1:0	1	Kit
22	3653830M1	!	21	2	Bearing
		(X)	0.2.4.		
			T-A 1:50		
23	3653364M1	!	21	1	Gear
			T-A 1:50		
24	3653858M1			4	Bolt
25	3653320M1	T-A	0:50	1	Cover

! This is a component of an assembly

⦿ See page - reference number

(X) Qty per tractors sold (aa.bbb.ccc.ddd) (aa) for 1,(bbb) 2-10 (ccc) 11-25 (ddd) 26-50

T-A Replacement

Engine

GX Series Tier 1 (2002-2004) - RP80 - GX40 / GXH40

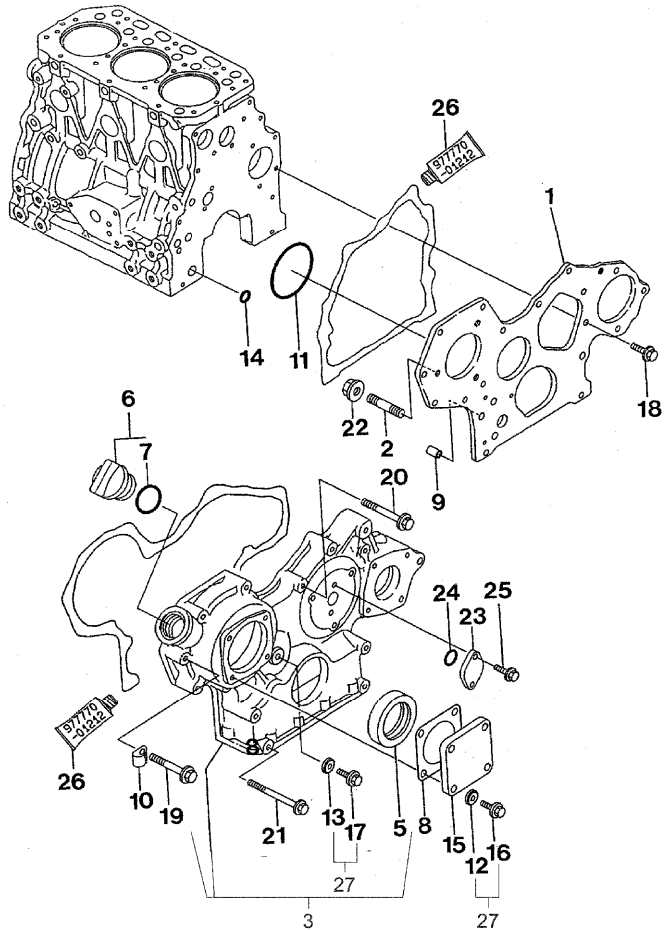
Mistral GX\00010161.png

A-05
06



A0506

Distribution cover - engine yanmar type "3tne 88"



				Inglese
1	3653798M1	T-A 4:75		1 Flange
2	3653305M1			3 Stud
3	3653799M1	T-A 4:75		1 Housing
5	3653788M1	! 3		1 Seal
			72x55x9	
		(X) 0.2.4.		
		T-A 2:50		
6	3664430M1	● 3653315M1(1)		1 Plug
7	3653835M1	! 6		1 O ring
		T-A 0:25		
8	3653321M1	(X) 0.2.4.		1 Gasket
		T-A 0:50		
9	3653789M1			2 Bush
10	3653438M1			1 Clip
11	3653310M1	T-A 4:75		1 O ring
12	3665004M1	! 27		4 Ring
13	3665004M1	! 27		1 Ring
14	3653833M1	T-A 4:75		2 O ring
15	3653320M1	T-A 0:50		1 Cover
16	3653856M1	! 27		4 Bolt
17	3653858M1	! 27		1 Bolt
18	3653858M1			3 Bolt
19	3653863M1			6 Bolt
20	3653865M1			3 Bolt
21	3664450M1	! 3		4 Bolt

Engine

GX Series Tier 1 (2002-2004) - RP80 - GX40 / GXH40

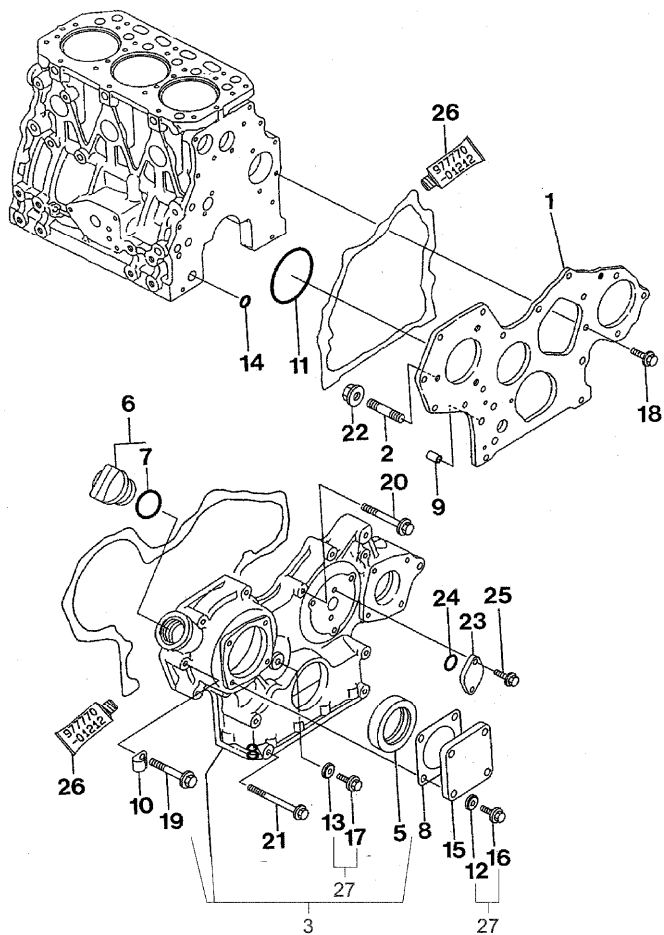
A-05
06



A0506

Distribution cover - engine yanmar type "3tne 88"

Mistral GX\00010161.png



Inglese

22	3653877M1		3	Nut
23	3653299M1	T-A 0:25	1	Cover
24	3653841M1	T-A 0:25	1	O ring
25	3653853M1		2	Bolt
26	3653908M1	● 3653908M2(1) A (X)	1	Gasket
27	3664441M1		5	Bolt

- ! This is a component of an assembly
- Replacement
- (X) Qty per tractors sold (aa.bbb.ccc.ddd) (aa) for 1,(bbb) 2-10 (ccc) 11-25 (ddd) 26-50
- T-A Replacement
- A For application, refer to workshop manual

Engine

GX Series Tier 1 (2002-2004) - RP80 - GX40 / GXH40

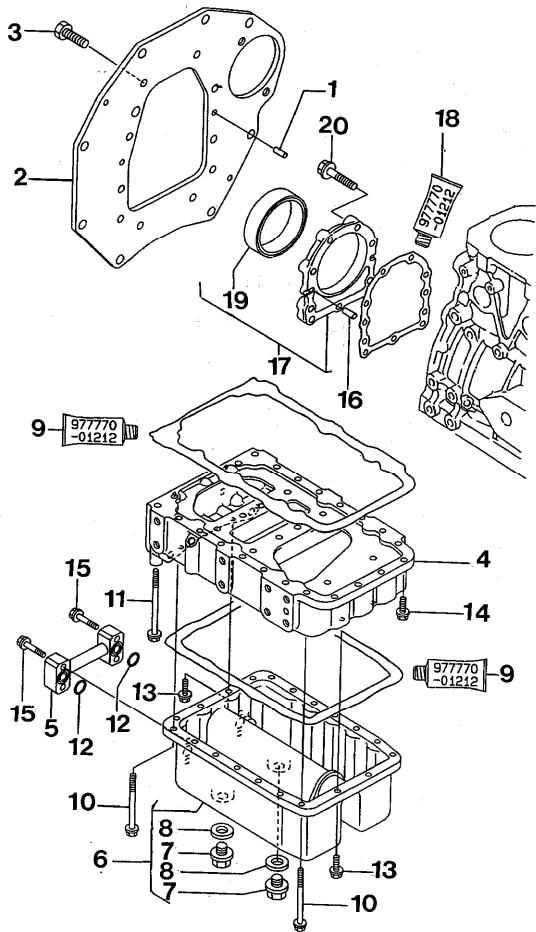
Mistral GX\00001380.png

A-05
07



A0507

Lubricating oil pump and delivery housing - - engine yanmar type "3tne 88"



		Inglese
1	3653378M1	2 Dowel
2	3653357M1	1 Flange
3	3653872M1	8 Bolt
4	3653940M1	1 Spacer
5	3653358M1	1 Spacer
6	3653359M1	1 Pan
7	3653253M1	2 Plug
8	3653811M1	2 Seal
9	3653908M1	1 Gasket
	A	
	(X)	
10	3653351M1	14 Bolt
11	3653352M1	4 Bolt
12	3653834M1	2 O ring
13	3653860M1	6 Bolt
14	3653860M1	4 Bolt
15	3653862M1	4 Bolt
16	3653378M1	2 Dowel
17	3653379M1	1 Housing
	4206673M1(1)	
	T-A 10:75	

Buy Now



Our support email:

ebooklibonline@outlook.com