

Engine

GX Series Tier 1 (2002-2004) - RP80 - GX45 / GXH45

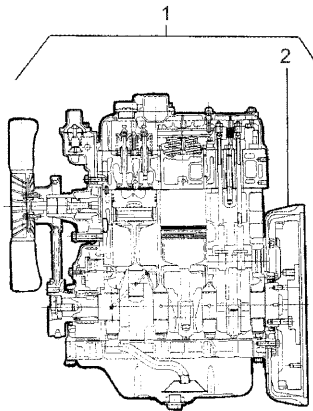
Mistral GX\00010157.png

A-05
01



A0501

Engine assembly - engine yanmar type "4tne 84"



1	4204519M94	●	N.L.A.(1)	Inglese
		A		1 Engine
		T-A	12:0	
		T-B	30:0	
2	4204280M91	!	1	1 Flywheel
		●	3653762M1(1)	
		T-A	10:50	

! This is a component of an assembly

- Replacement
- T-A Replacement
- T-B Overhaul
- A Complete with flywhell

Engine

GX Series Tier 1 (2002-2004) - RP80 - GX45 / GXH45

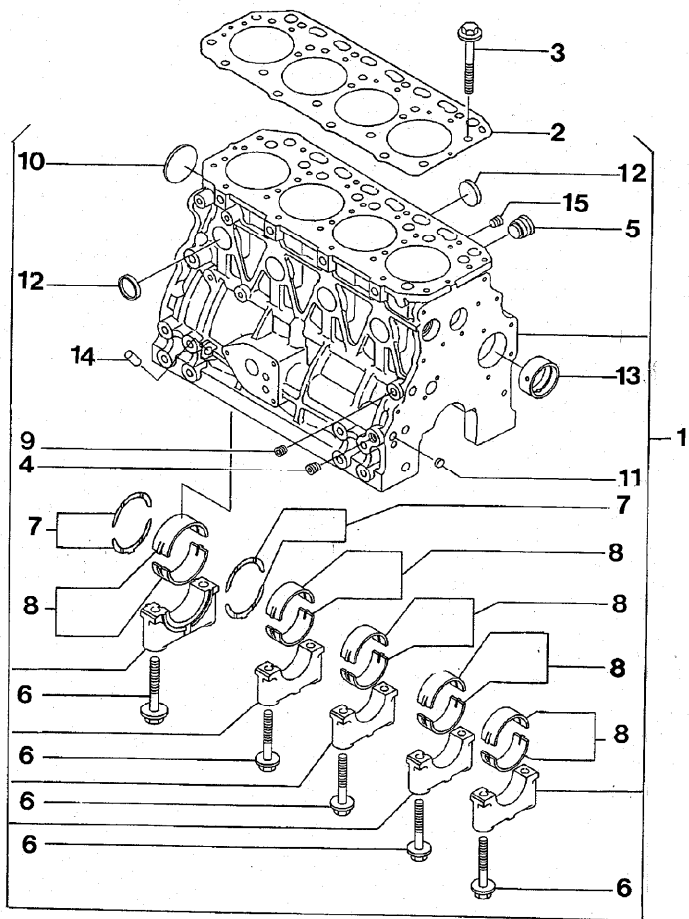
A-05
02



A0502

Cylinder block - engine yanmar type "4tne 84"

Mistral GX\00001425.png



		Inglese	
1	3666912M1	● 3653900M1(1) T-A 33:50	1 Cylinder
2	3653754M1	(X) 0.1.2. T-A 5:50	1 Gasket
3	3653428M1		18 Stud
4	3653316M1	! 1 T-A 0:25	2 Plug
5	3653796M1	! 1 T-A 0:25	1 Plug
6	3653429M1	! 1	10 Bolt
7	3653432M1	! 1 ● 4215968M1(2) T-A 16:50	2 Ring
7	3653433M1	● 4215970M1(2) A T-A 16:50	2 Ring
8	3653336M1	! 1 ● 4215967M1(5) T-A 16:50	5 Kit
8	3653431M1	● 3653431M2(5) B T-A 16:50	5 Ring
9	3665017M1	! 1 T-A 0:25	1 Plug
10	3664445M1	! 1	1 Plug
11	3653888M1	! 1	2 Plug

Engine

GX Series Tier 1 (2002-2004) - RP80 - GX45 / GXH45

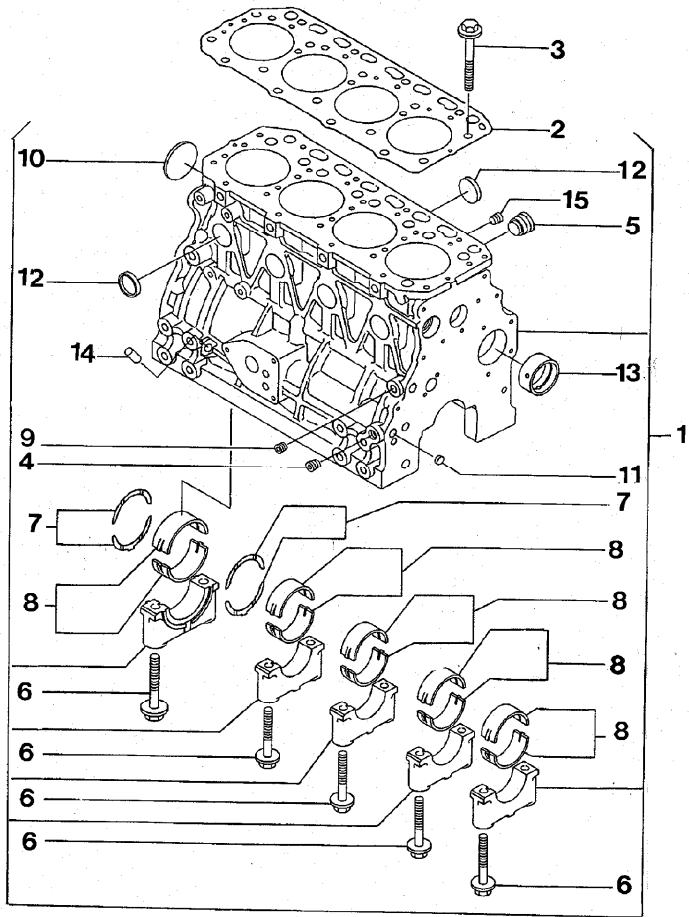
A-05
02



A0502

Cylinder block - engine yanmar type "4tne 84"

Mistral GX\00001425.png



		Inglese		
12	3653889M1	!	1	8 Plug
		●	3653889M2(8)	
		T-A	0:75	
13	3653791M1	!	1	1 Bearing
		(X)	0.1.2.	
		T-A	31:0	
14	3653886M1	!	1	1 Plug
15	3665018M1	!	1	1 Plug

! This is a component of an assembly

● Replacement

(X) Qty per tractors sold (aa.bbb.ccc.ddd) (aa) for 1,(bbb) 2-10 (ccc) 11-25 (ddd) 26-50

T-A Replacement

A Over-size (0,25mm) part.

B Under-size (0,25mm) part.

Engine

GX Series Tier 1 (2002-2004) - RP80 - GX45 / GXH45

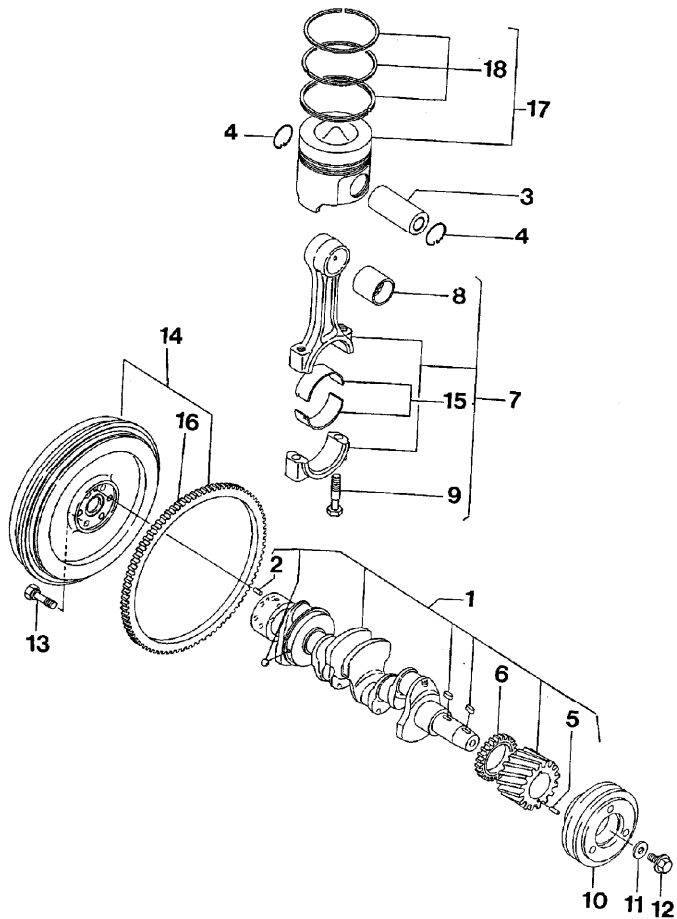
Mistral GX\00001426.png

A-05
03



A0503

Crankshaft, pistons and connecting rods - - engine yanmar type "4tne 84"



				Inglese
1	3653902M1	T-A 16:50		1 Shaft
		T-B 18:50		
2	3653378M1	!	1	1 Dowel
3	3653731M1	T-A 17:50		4 Cotter
4	3653815M1			8 Clip
5	3653308M1	!	1	1 Dowel
6	3664468M1	!	1	1 Gear
		T-A 20:0		
7	3653897M1	T-A 17:50		4 Conrod
		T-B 18:0		
8	3653383M1	!	7	4 Bearing
		T-A 17:50		
9	3653307M1	!	7	8 Bolt
10	3653763M1	●	4216750M1(1), 6510420M1(1)	1 Pulley
		T-A 20:0		
11	3653794M1			1 Washer
12	3653309M1			1 Bolt
13	3653301M1			6 Bolt
14	3653762M1	T-A 10:50		1 Flywheel
15	3653450M1	!	7	4 Bearing
		●	4216034M1(4)	
		(X)		
		T-A 17:50		

Engine

GX Series Tier 1 (2002-2004) - RP80 - GX45 / GXH45

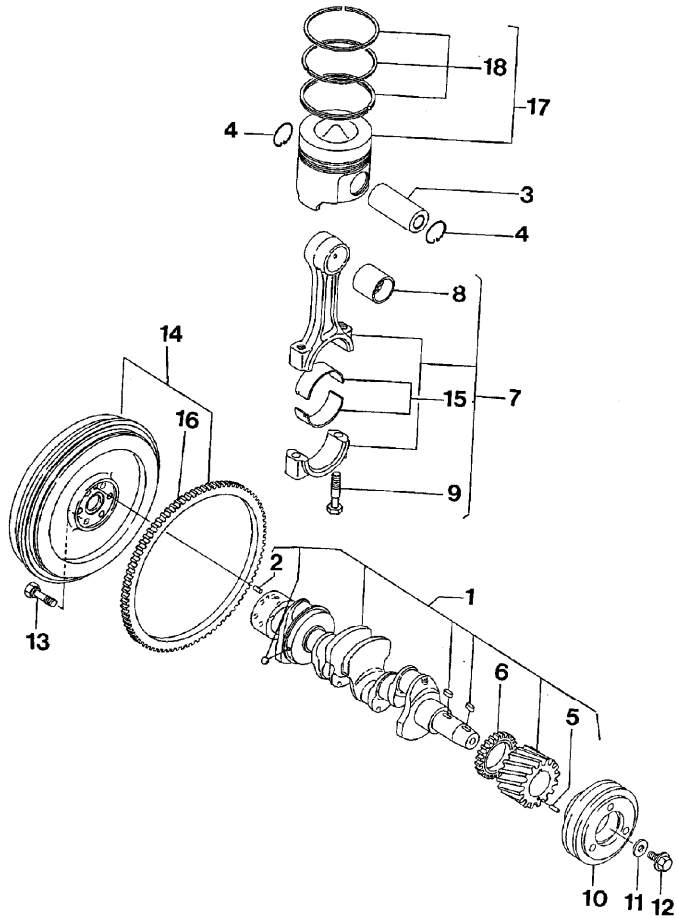
Mistral GX\00001426.png

**A-05
03**



A0503

Crankshaft, pistons and connecting rods - - engine yanmar type "4tne 84"



Inglese

15	3653451M1	!	7	4	Bearing
		B			
		T-A	17:50		
16	3653297M1	!	14	1	Crownwheel
		T-A	10:50		
17	3664436M1	A		4	Piston
		T-A	17:50		
17	3664451M1	T-A	17:50	4	Piston
18	3653354M1	!	17	4	Kit
		T-A	17:50		
18	3653356M1	!	17	4	Kit
		A			
		T-A	17:50		

! This is a component of an assembly

● Replacement

(X) Qty per tractors sold (aa.bbb.ccc.ddd) (aa) for 1,(bbb) 2-10 (ccc) 11-25 (ddd) 26-50

T-A Replacement

T-B Overhaul

A Over-size (0,25mm) part.

B Under-size (0,25mm) part.

Engine

GX Series Tier 1 (2002-2004) - RP80 - GX45 / GXH45

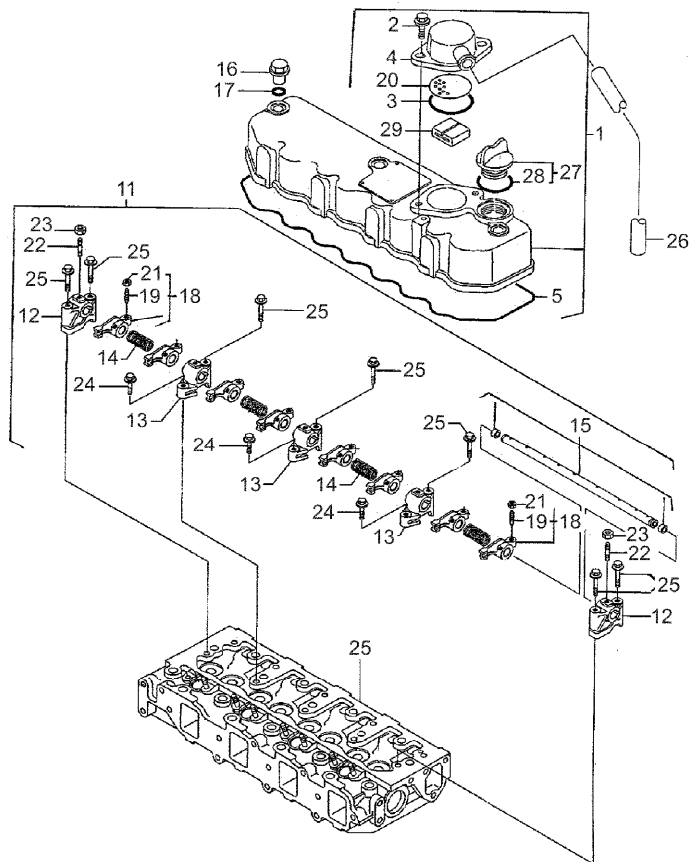
A-05
04



A0504

Cylinder head - rocker shaft - engine yanmar type "4tne 84"

Mistral GX\00010184.png



Inglese

1	3653735M1	T-A 1:50	1	Cover
		T-C 1:25		
2	3653858M1	!	1	Bolt
3	3653843M1	!	1	O ring
		T-A 0:25		
4	3653434M1	!	1	Cover
		T-A 0:25		
5	3653777M1	!	1	Gasket
6	3664553M1	● 3653948M1(1)	1	Shaft
7	3653469M1	!	6	2 Support
		T-A 2:0		
8	3653470M1	!	6	3 Support
		T-A 2:0		
9	3653440M1	!	6	4 Spring
		T-A 2:0		
10	3653776M1	!	6	1 Shaft
		(X) 0.1.2.		
		T-A 2:25		
11	3653317M1		3	Plug
12	3653831M1		3	O ring
13	3653895M1	!	6	8 Rocker
		T-C 2:0		
14	3653439M1	!	13	1 Screw
15	3653436M1	!	1	1 Plate
		T-A 2:75		
16	3653444M1	!	13	1 Nut

Engine

GX Series Tier 1 (2002-2004) - RP80 - GX45 / GXH45

**A-05
04**



A0504

Cylinder head - rocker shaft - engine yanmar type "4tne 84"

Mistral GX\00010184.png

Inglese

17	3653875M1	!	6	3 Bolt
18	3653884M1	!	6	3 Nut
19	3653860M1	!	6	3 Bolt
20	3653864M1	!	6	7 Bolt
21	3653437M1	T-A	0:25	1 Pipe
22	3664430M1	!	1	1 Plug
	●		3653315M1(1)	
		T-A	0:25	
23	3653835M1	!	22	1 O ring
		T-A	0:25	
24	3653435M1	!	1	1 Guard
30	⊕		A-05 045	

! This is a component of an assembly

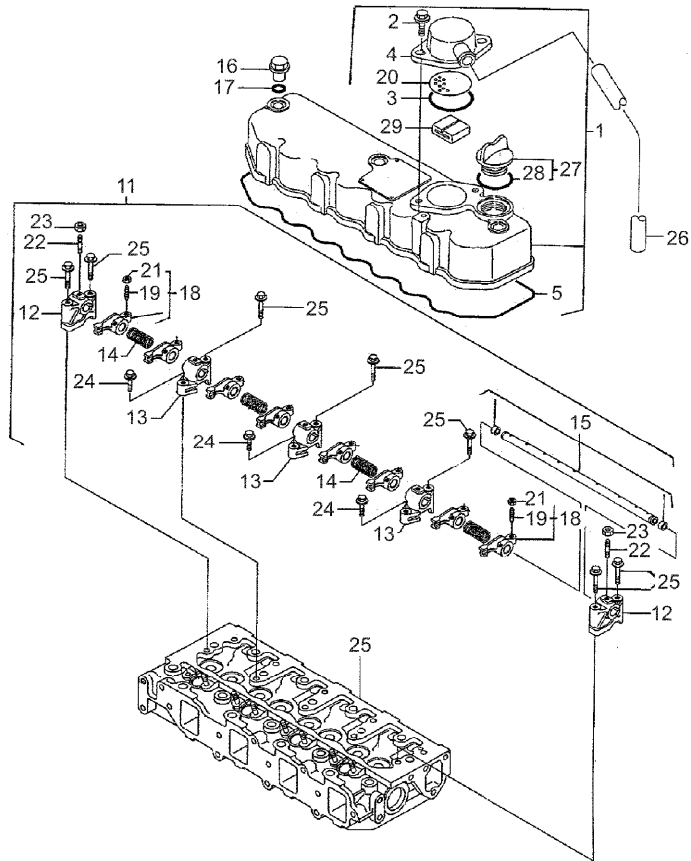
⊕ See page - reference number

● Replacement

(X) Qty per tractors sold (aa.bbb.ccc.ddd) (aa) for 1,(bbb) 2-10 (ccc) 11-25 (ddd) 26-50

T-A Replacement

T-C Setting



Engine

GX Series Tier 1 (2002-2004) - RP80 - GX45 / GXH45

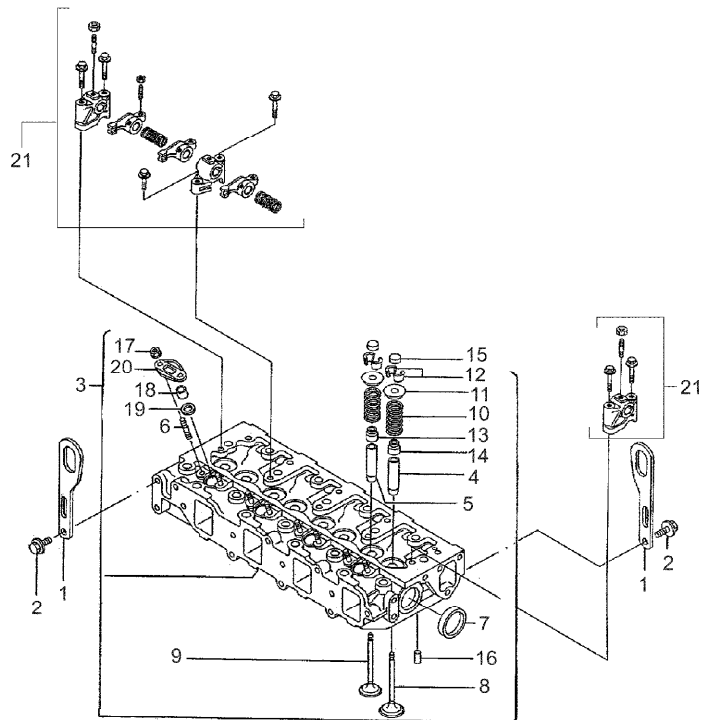
Mistral GX\00010173.png

A-05
045



A05045

Cylinder head - rocker shaft - engine yanmar type "4tne 84"



				Inglese
1	3653331M1	T-A 0:25		2 Stirrup
2	3653857M1			4 Bolt
3	3653761M1	T-B 8:0		1 Bush
4	3653298M1	! 3 (X) 0.8.16.3 T-A 8:75		4 Guide
5	3653445M1	! 3 (X) 0.8.16.3 T-A 8:75		4 Guide
6	3653873M1	! 3		8 Stud
7	3653890M1	! 3		2 Plug
8	3653380M1	! 3 T-A 7:75		3 Valve
9	3653381M1	! 3 ● 3653381M2(3) T-A 7:75		3 Valve
10	3653792M1	! 3 (X) 0.2.4.1 T-A 7:75		8 Spring
11	3653793M1	! 3 (X) 0.8.16.3 T-A 7:75		8 Nameplate
12	3653891M1	! 3 T-A 7:75		8 Clip

Engine

GX Series Tier 1 (2002-2004) - RP80 - GX45 / GXH45

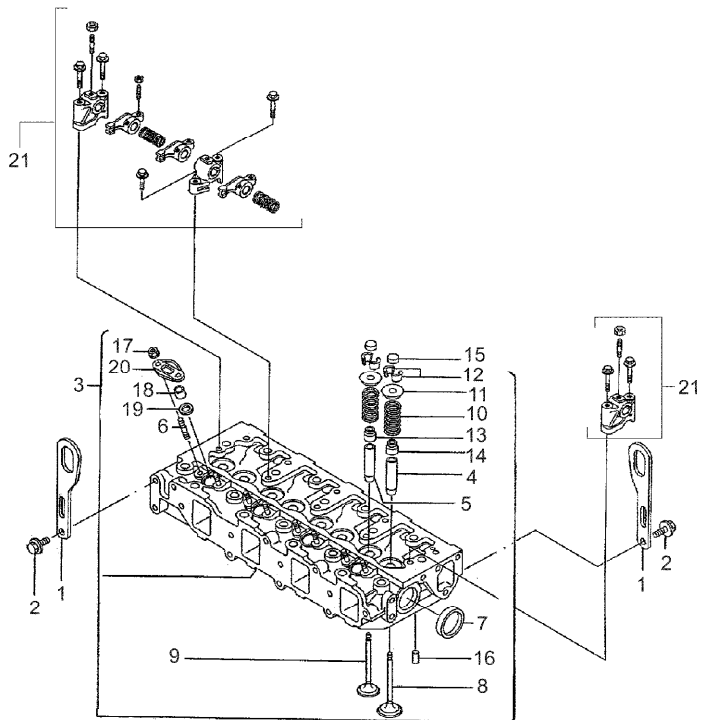
Mistral GX\00010173.png

**A-05
045**



A05045

Cylinder head - rocker shaft - engine yanmar type "4tne 84"



Inglese

13	3653304M1	!	3	4	Thimble
		(X)	0.8.16.3		
		T-A	7:75		
14	3664434M1	●	3653323M1(4)	4	Seal
		T-A	7:75		
15	3653443M1	!	3	8	Shim
		T-A	7:75		
16	3653818M1	!	3	2	Pin
		T-A	7:75		
17	3653876M1	!	3	8	Nut
18	3653265M1	!	3	4	Guard
		T-A	7:75		
19	3653266M1	!	3	4	Washer
		T-A	7:75		
20	3653267M1	!	3	4	Nameplate
		T-A	7:75		
21		◊	A-05 04		

! This is a component of an assembly

◊ See page - reference number

● Replacement

(X) Qty per tractors sold (aa.bbb.ccc.ddd) (aa) for 1,(bbb) 2-10 (ccc) 11-25 (ddd) 26-50

T-A Replacement

T-B Overhaul

Engine

GX Series Tier 1 (2002-2004) - RP80 - GX45 / GXH45

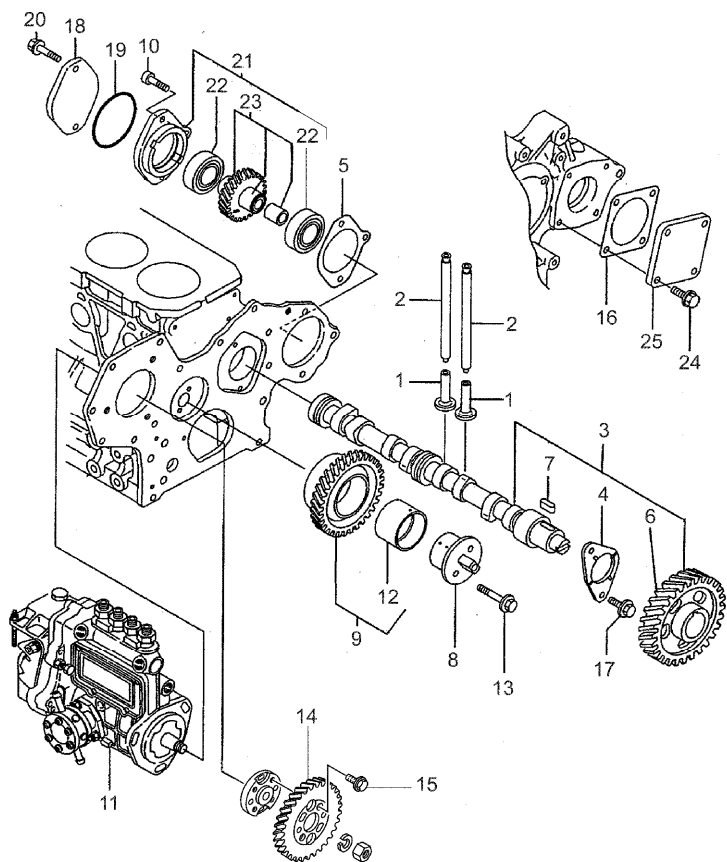
A-05
05



A0505

Timing gear and camshaft - - engine yanmar type "4tne 84"

Mistral GX\00010160.png



				Inglese
1	3653447M1	T-A 31:0		8 Tappet
2	3653448M1	T-A 2:75		8 Rod
3	3653896M1	T-A 31:0		1 Shaft
4	3653430M1	! 3		1 Plate
		T-A 0:31		
5	3653800M1	(X) 0.2.4.		1 Gasket
		T-A 1:0		
6	3653446M1	! 3		1 Gear
		T-A 31:0		
7	3653820M1	! 3		1 Key
		T-A 31:0		
8	3653384M1	T-A 9:50		1 Support
9	3653452M1	T-A 9:50		1 Gear
10	3653879M1			1 Bolt
11		⊕ A-05 11 1		1 Pump
12	3653454M1	! 9		1 Bush
		T-A 9:50		
13	3653863M1			2 Bolt
14	3664455M1	T-A 9:25		1 Gear
15	3664454M1			4 Screw
16	3653321M1	(X) 0.2.4.		1 Gasket
		T-A 0:50		
17	3653858M1			2 Bolt
18	3653300M1	T-A 0:50		1 Cover

Engine

GX Series Tier 1 (2002-2004) - RP80 - GX45 / GXH45

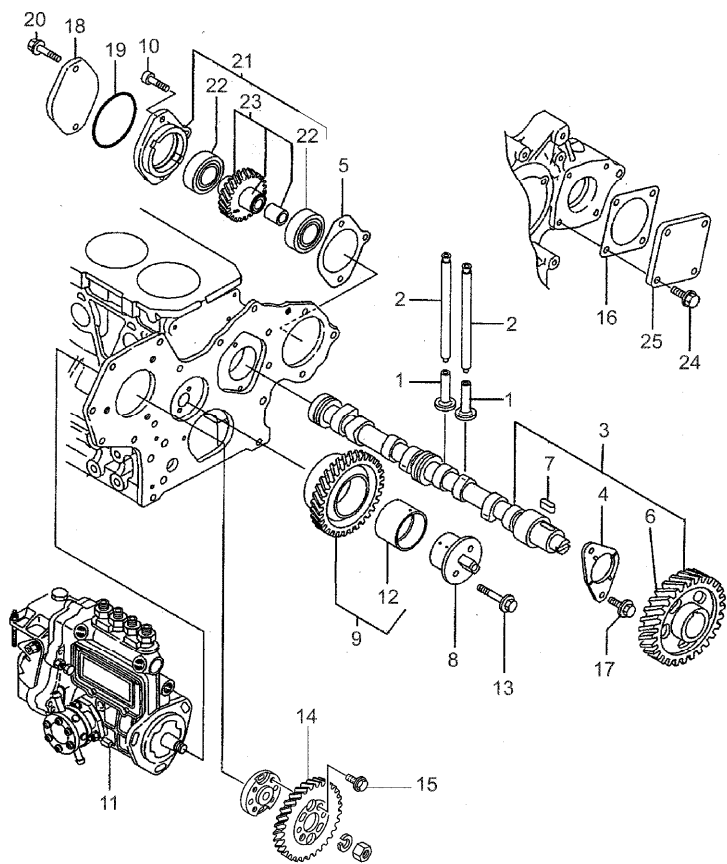
A-05
05



A0505

Timing gear and camshaft - - engine yanmar type "4tne 84"

Mistral GX\00010160.png



				Inglese
19	3653839M1	(X) 0.2.4. T-A 0:50		1 O ring
20	3653869M1			2 Bolt
21	3653363M1	T-A 1:0		1 Kit
22	3653830M1	! 21 (X) 0.2.4. T-A 1:50		2 Bearing
23	3653364M1	! 21 T-A 1:50		1 Gear
24	3653858M1			4 Bolt
25	3653320M1	T-A 0:50		1 Cover
26	3653321M1	T-A 0:50		1 Gasket
! This is a component of an assembly				
⊕ See page - reference number				
(X) Qty per tractors sold (aa.bbb.ccc.ddd) (aa) for 1,(bbb) 2-10 (ccc) 11-25 (ddd) 26-50				
T-A Replacement				

Engine

GX Series Tier 1 (2002-2004) - RP80 - GX45 / GXH45

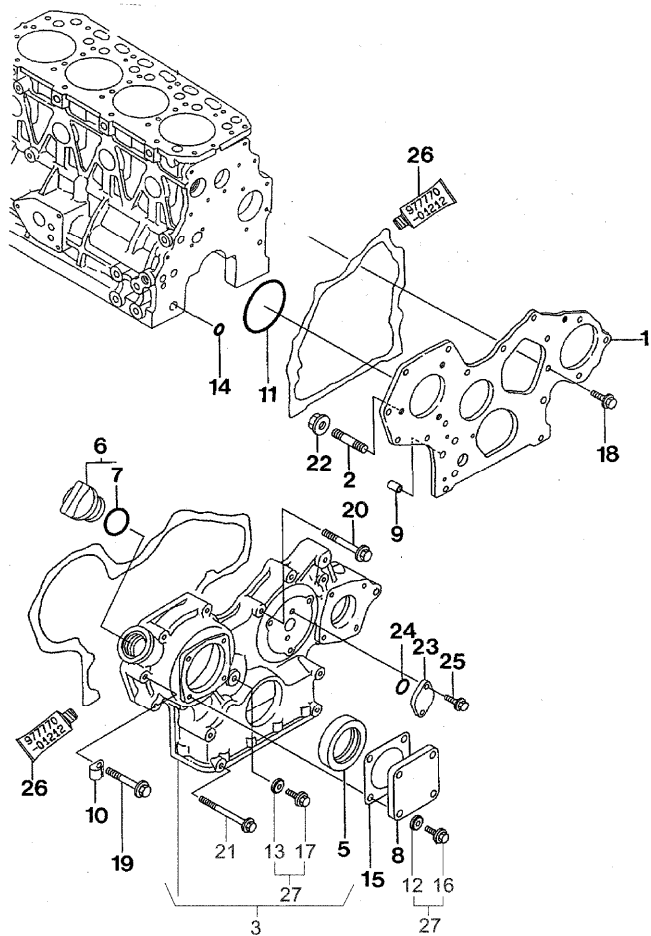
A-05
06



A0506

Distribution cover - engine yanmar type "4tne 84"

Mistral GX\00010162.png



				Inglese
1	3653798M1	T-A 4:75		1 Flange
2	3653305M1			3 Stud
3	3653799M1	T-A 4:75		1 Housing
5	3653788M1	! 3		1 Seal
		72x55x9		
		(X) 0.2.4.		
		T-A 2:50		
6	3664430M1	● 3653315M1(1)		1 Plug
7	3653835M1	! 6		1 O ring
		T-A 0:25		
8	3653321M1	(X) 0.2.4.		1 Gasket
		T-A 0:50		
9	3653789M1			2 Bush
10	3653438M1			1 Clip
11	3653310M1	T-A 4:75		1 O ring
12	3665004M1	! 27		4 Ring
13	3665004M1	! 27		1 Ring
14	3653833M1	T-A 4:75		2 O ring
15	3653320M1	T-A 0:50		1 Cover
16	3653858M1	! 27		4 Bolt
17	3653858M1	! 27		1 Bolt
18	3653858M1			3 Bolt
19	3653863M1			6 Bolt
20	3653865M1			3 Bolt
21	3664450M1	! 3		4 Bolt

Engine

GX Series Tier 1 (2002-2004) - RP80 - GX45 / GXH45

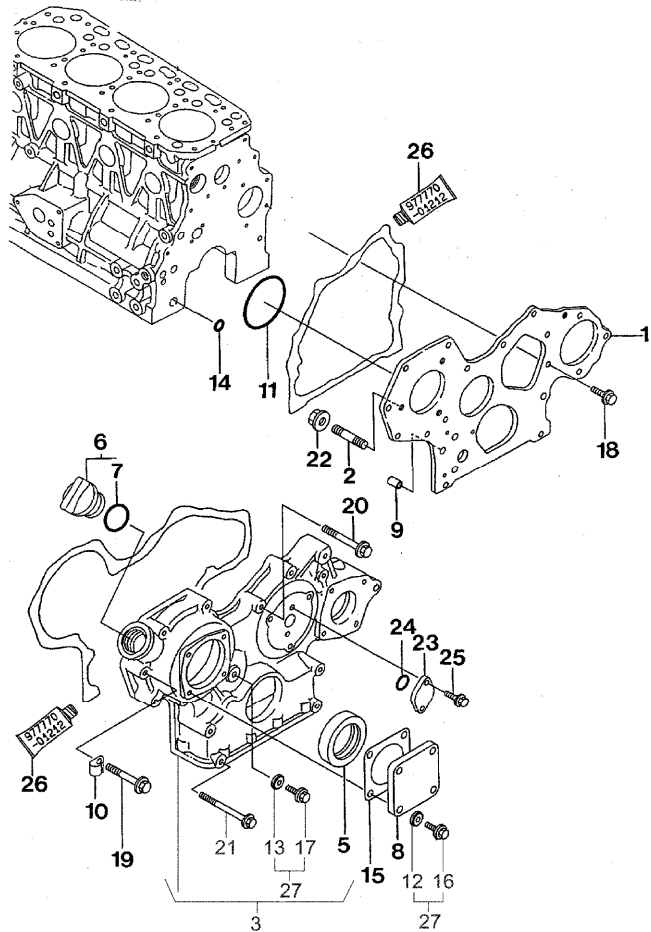
A-05
06



A0506

Distribution cover - engine yanmar type "4tne 84"

Mistral GX\00010162.png



Inglese

22	3653877M1		3	Nut
23	3653299M1	T-A 0:25	1	Cover
24	3653841M1	T-A 0:25	1	O ring
25	3653853M1		2	Bolt
26	3653908M1	● 3653908M2(1) A (X)	1	Gasket
27	3664441M1	! 3	2	Bolt

! This is a component of an assembly

● Replacement

(X) Qty per tractors sold (aa.bbb.ccc.ddd) (aa) for 1,(bbb) 2-10 (ccc) 11-25 (ddd) 26-50

T-A Replacement

A For application, refer to workshop manual

Engine

GX Series Tier 1 (2002-2004) - RP80 - GX45 / GXH45

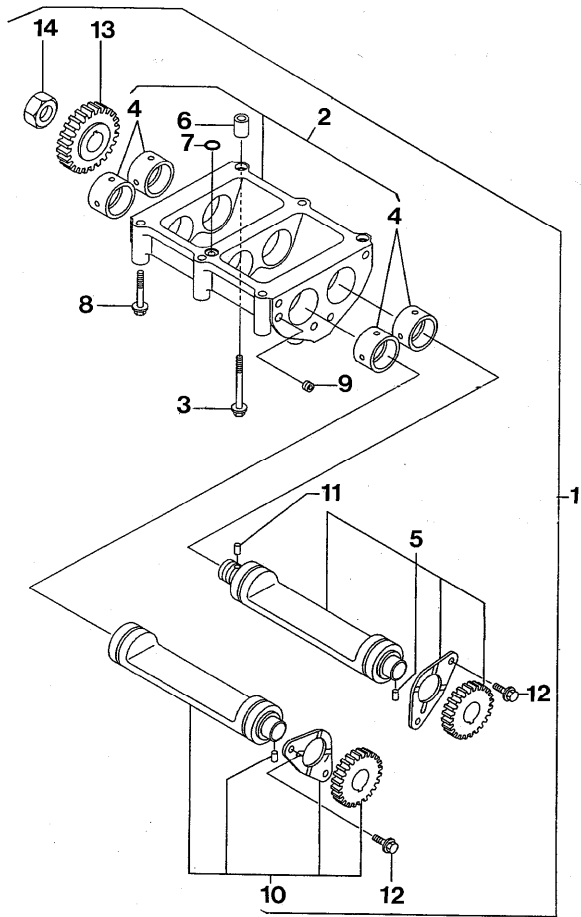
Mistral GX\00001366.png

**A-05
065**



A05065

Balancer unit - - engine yanmar type "4tne 84"



			Inglese
1	3653764M1	T-A 7:0	1 Weight
		T-B 9:0	
2	3664476M1	! 1	1 Housing
		T-A 4:0	
3	3653868M1	! 2	2 Bolt
4	3653743M1	! 2	4 Bush
		T-A 9:0	
5	3653905M1	! 1	1 Kit
		T-A 9:0	
6	3653790M1	! 2	2 Bush
		T-A 9:0	
7	3653832M1	! 2	1 O ring
		T-A 9:0	
8	3653866M1	! 2	4 Bolt
9	3653827M1	! 2	1 Plug
10	3653906M1	! 1	1 Kit
		T-A 9:0	
11	3653308M1	! 1	1 Dowel
12	3653857M1		4 Bolt
13	3653739M1	! 1	1 Gear
		T-A 9:0	
14	3653334M1	! 1	1 Nut
! This is a component of an assembly			
T-A Replacement			
T-B Overhaul			

Buy Now



Our support email:

ebooklibonline@outlook.com