

Engine

GX Series Tier 1 (2002-2004) - RP80 - GX50 / GXH50

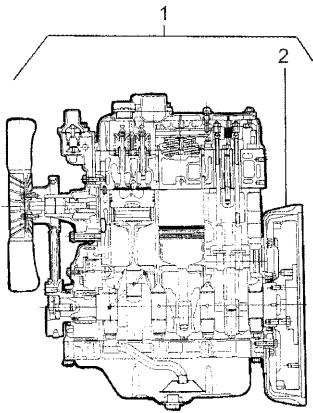
Mistral GX\00010157.png

A-05  
01



A0501

Engine assembly - engine yanmar type "4tne 88"



1	4204520M94	●	N.L.A.(1)	Inglese
		A		1 Engine
		T-A	12:0	
		T-B	30:0	
2	4204280M91	!	1	1 Flywheel
		●	3653762M1(1)	
		T-A	10:50	

- ! This is a component of an assembly
- Replacement
- T-A Replacement
- T-B Overhaul
- A Complete with flywhell

Engine

GX Series Tier 1 (2002-2004) - RP80 - GX50 / GXH50

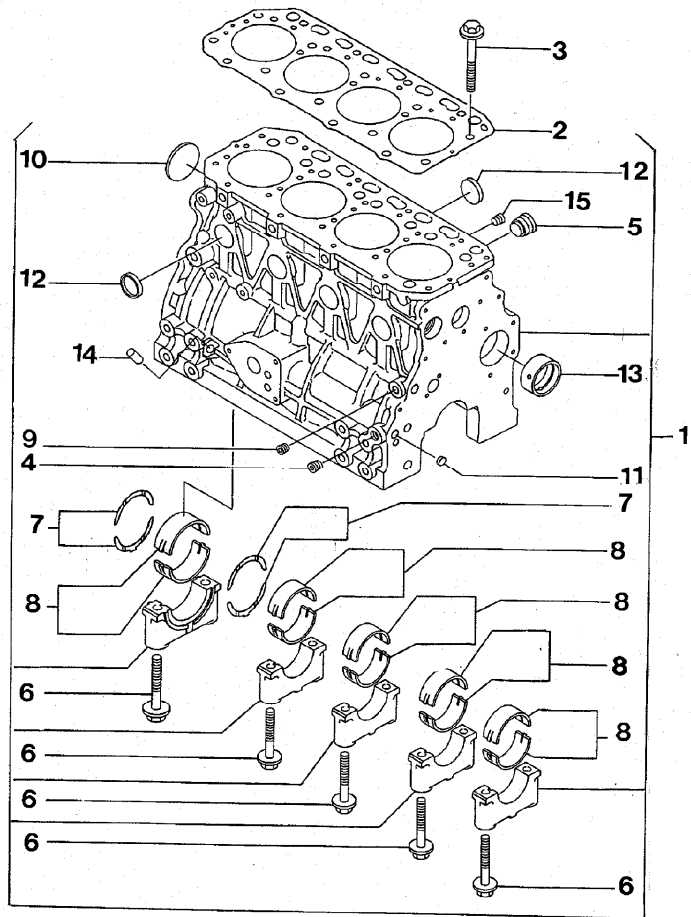
A-05  
02



A0502

Cylinder block - engine yanmar type "4tne 88"

Mistral GX\00001425.png



				Inglese
1	3653898M1	T-A	33:50	1 Block
2	3653740M1	(X)	0.1.2.	1 Gasket
		T-A	5:50	
3	3653428M1			18 Stud
4	3653316M1	!	1	2 Plug
		T-A	0:25	
5	3653796M1	!	1	1 Plug
		T-A	0:25	
6	3653429M1	!	1	10 Bolt
7	3653432M1	!	1	2 Ring
		●	4215968M1(2)	
		T-A	16:50	
7	3653433M1	●	4215970M1(2)	2 Ring
		A		
		T-A	16:50	
8	3653336M1	!	1	5 Kit
		●	4215967M1(5)	
		T-A	16:50	
8	3653431M1	●	3653431M2(5)	5 Ring
		B		
		T-A	16:50	
9	3665017M1	!	1	1 Plug
		T-A	0:25	
10	3664445M1	!	1	1 Plug
11	3653888M1	!	1	2 Plug

Engine

GX Series Tier 1 (2002-2004) - RP80 - GX50 / GXH50

A-05  
02



A0502

Cylinder block - engine yanmar type "4tne 88"

Mistral GX\00001425.png

Inglese

12	3653889M1	!	1	8	Plug
	●		3653889M2(8)		
		T-A	0:75		
13	3653791M1	!	1	1	Bearing
		(X)	0.1.2.		
		T-A	31:0		
14	3653886M1	!	1	1	Plug
15	3665018M1	!	1	1	Plug

! This is a component of an assembly

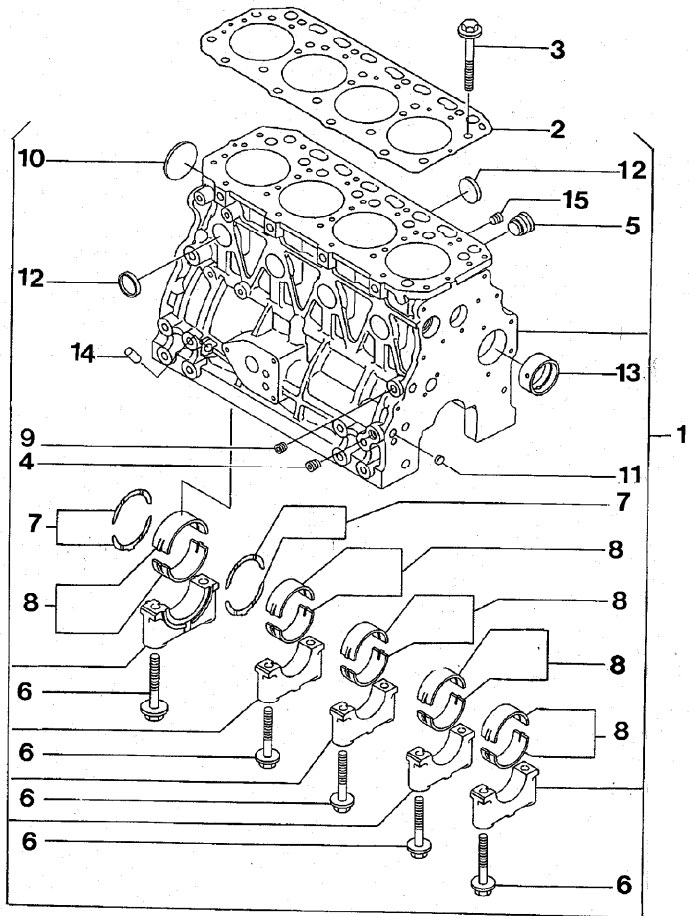
● Replacement

(X) Qty per tractors sold (aa.bbb.ccc.ddd) (aa) for 1,(bbb) 2-10 (ccc) 11-25 (ddd) 26-50

T-A Replacement

A Over-size (0,25mm) part.

B Under-size (0,25mm) part.



Engine

GX Series Tier 1 (2002-2004) - RP80 - GX50 / GXH50

Mistral GX\00001426.png

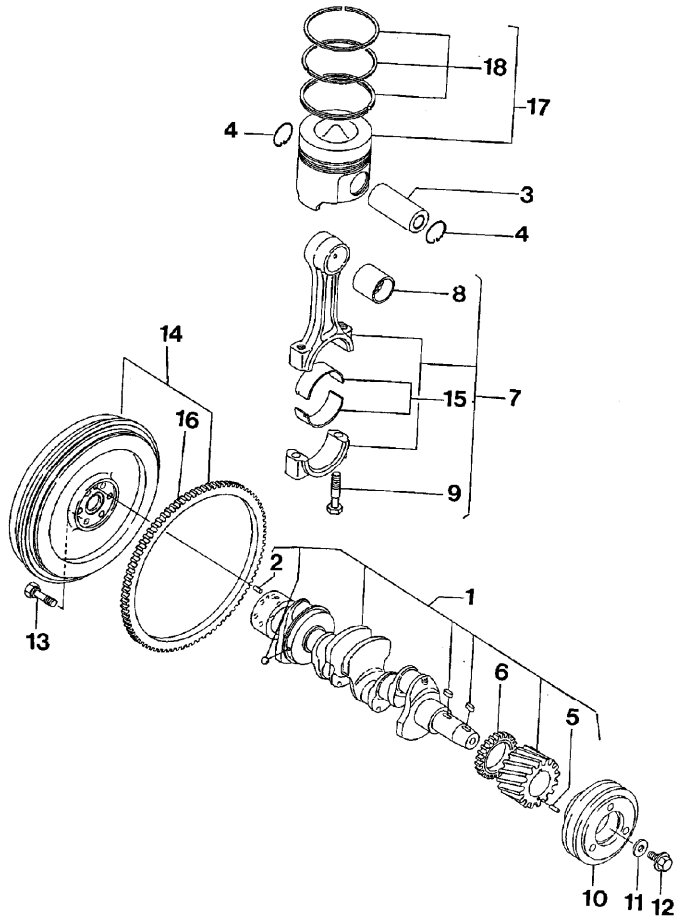
A-05  
03



A0503

Crankshaft, pistons and connecting rods - - engine yanmar type "4tne 88"

Inglese



-					
1	3653902M1	T-A	18:50	1	Shaft
2	3653378M1	!	1	1	Dowel
3	3653731M1	T-A	17:50	4	Cotter
4	3653815M1			8	Clip
5	3653308M1	!	1	1	Dowel
6	3664468M1	!	1	1	Gear
		T-A	20:0		
7	3653897M1	T-A	17:50	4	Conrod
8	3653383M1	!	7	4	Bearing
		T-A	17:50		
9	3653307M1	!	7	8	Bolt
10	3653763M1	●	4216750M1(1), 6510420M1(1)	1	Pulley
		T-A	20:0		
11	3653794M1			1	Washer
12	3653309M1			1	Bolt
13	3653301M1			6	Bolt
14	3653762M1	T-A	10:25	1	Flywheel
15	3653450M1	!	7	4	Bearing
		●	4216034M1(4)		
		(X)			
		T-A	16:50		
15	3653451M1	!	7	4	Bearing
		B			
		T-A	16:50		

Engine

GX Series Tier 1 (2002-2004) - RP80 - GX50 / GXH50

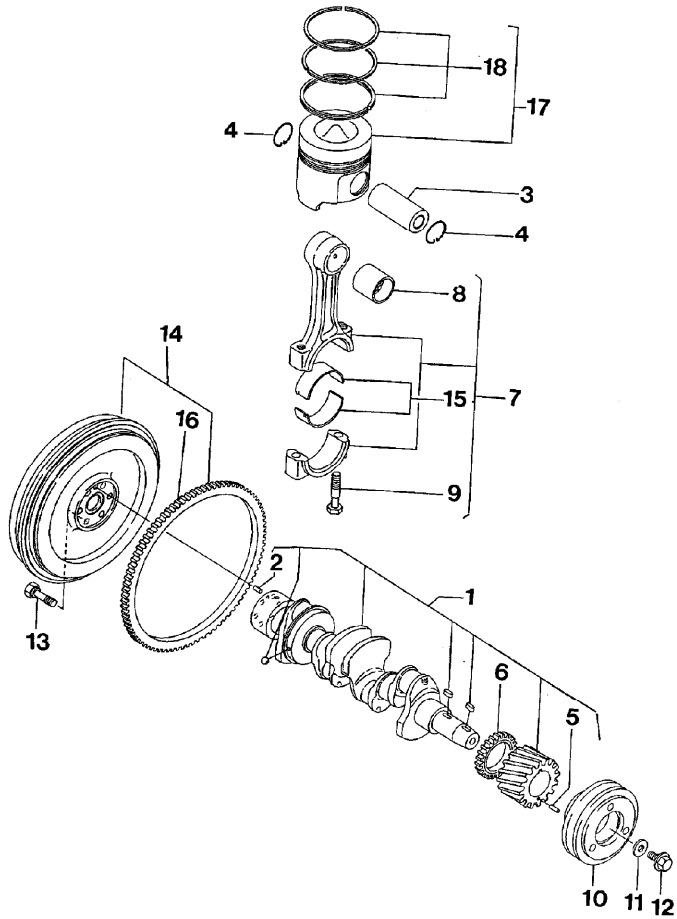
Mistral GX\00001426.png

**A-05  
03**



A0503

Crankshaft, pistons and connecting rods - - engine yanmar type "4tne 88"



				Inglese
16	3653297M1	!	14	1 Crownwheel
		T-A	10:25	
17	3664446M1	T-A	17:50	4 Piston
17	3664447M1	A		4 Piston
		T-A	17:50	
18	3653343M1	!	17	4 Kit
		T-A	17:50	
18	3653345M1	!	17	4 Kit
		A		
		T-A	17:50	

! This is a component of an assembly

● Replacement

(X) Qty per tractors sold (aa.bbb.ccc.ddd) (aa) for 1,(bbb) 2-10 (ccc) 11-25 (ddd) 26-50

T-A Replacement

A Over-size (0,25mm) part.

A Under-size (0.25mm)

B Under-size (0,25mm) part.

Engine

GX Series Tier 1 (2002-2004) - RP80 - GX50 / GXH50

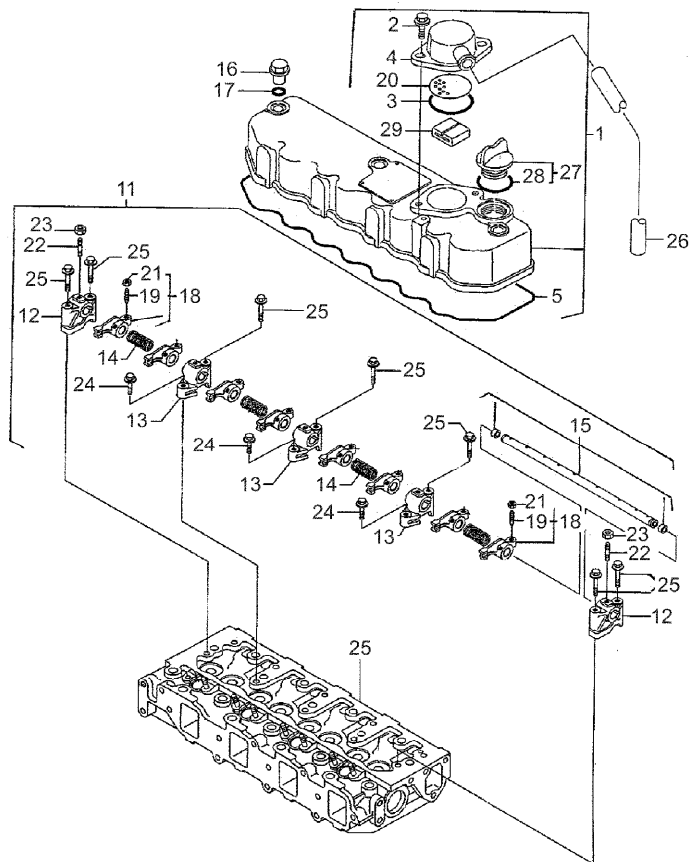
**A-05  
04**



A0504

Cylinder head - rocker shaft - engine yanmar type "4tne 88"

Mistral GX\00010184.png



**Inglese**

1	3653735M1	T-A 1:50	1	Cover
		T-C 1:25		
2	3653858M1	!	1	Bolt
3	3653843M1	!	1	O ring
		T-A 0:25		
4	3653434M1	!	1	Cover
		T-A 0:25		
5	3653777M1	!	1	Gasket
		T-A 1:50		
6	3664553M1	●	3653948M1(1)	1 Shaft
7	3653469M1	!	6	2 Support
		T-A 2:0		
8	3653470M1	!	6	3 Support
		T-A 2:0		
9	3653440M1	!	6	4 Spring
		T-A 2:0		
10	3653776M1	!	6	1 Shaft
		(X) 0.1.2.		
		T-A 2:25		
11	3653317M1		3	Plug
12	3653831M1		3	O ring
13	3653895M1	!	6	8 Rocker
		T-C 2:0		
14	3653439M1	!	13	1 Screw
15	3653436M1	!	1	1 Plate
		T-A 2:75		

Engine

GX Series Tier 1 (2002-2004) - RP80 - GX50 / GXH50

**A-05  
04**



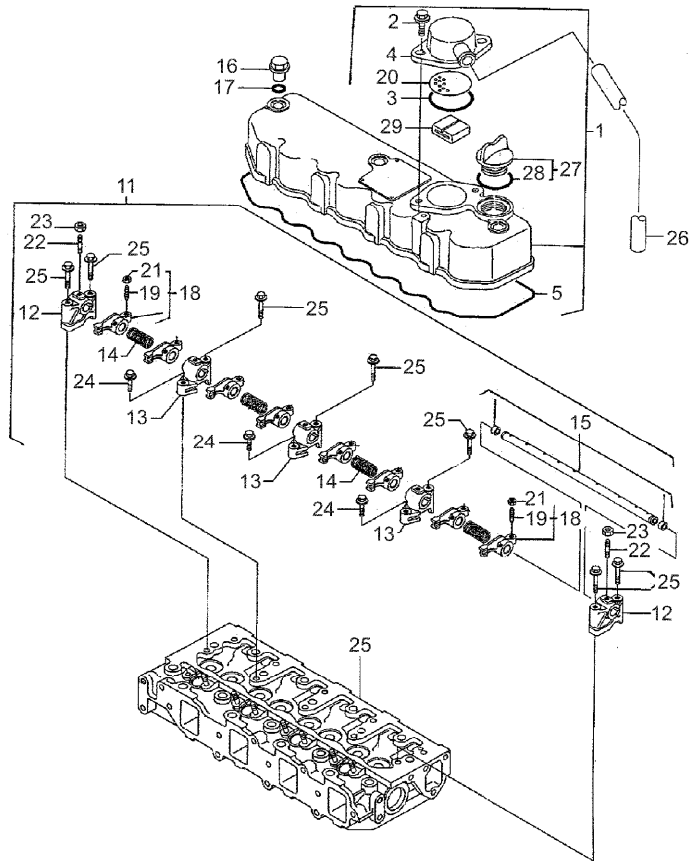
A0504

Cylinder head - rocker shaft - engine yanmar type "4tne 88"

Mistral GX\00010184.png

**Inglese**

16	3653444M1	!	13	1	Nut
17	3653875M1	!	6	3	Bolt
18	3653884M1	!	6	3	Nut
19	3653860M1	!	6	3	Bolt
20	3653864M1	!	6	7	Bolt
		T-A	0:25		
21	3653437M1	T-A	0:25	1	Pipe
22	3664430M1	!	1	1	Plug
		●	3653315M1(1)		
		T-A	0:25		
23	3653835M1	!	22	1	O ring
		T-A	0:25		
24	3653435M1	!	1	1	Guard
30		◊	A-05 045		
!	This is a component of an assembly				
◊	See page - reference number				
●	Replacement				
(X)	Qty per tractors sold (aa.bbb.ccc.ddd) (aa) for 1,(bbb) 2-10 (ccc) 11-25 (ddd) 26-50				
T-A	Replacement				
T-C	Setting				



Engine

GX Series Tier 1 (2002-2004) - RP80 - GX50 / GXH50

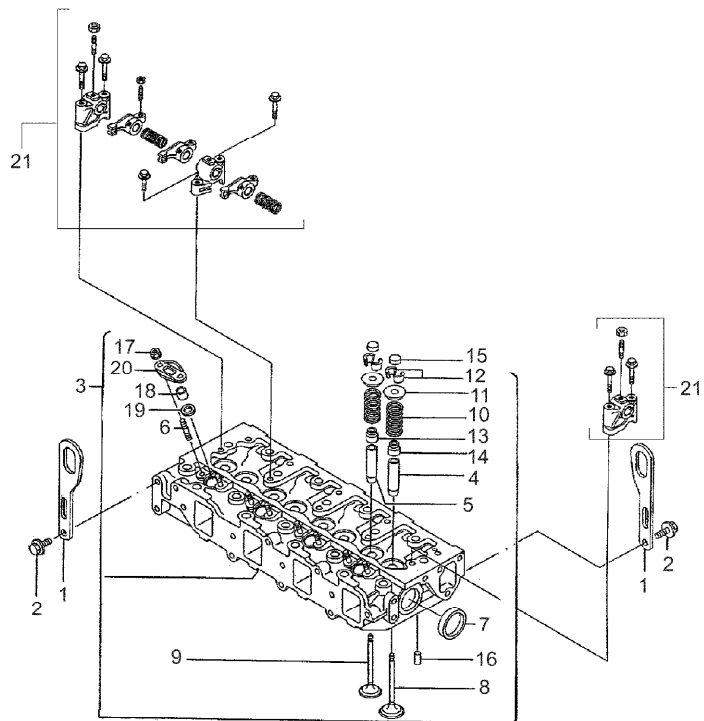
Mistral GX\00010173.png

A-05  
045



A05045

Cylinder head - rocker shaft - engine yanmar type "4tne 88"



				Inglese
1	3653331M1	T-A 0:25		2 Stirrup
2	3653857M1			4 Bolt
3	3653761M1	T-B 8:0		1 Bush
4	3653298M1	! 3 (X) 0.8.16.3 T-A 8:75		4 Guide
5	3653445M1	! 3 (X) 0.8.16.3 T-A 8:75		4 Guide
6	3653873M1	! 3		8 Stud
7	3653890M1	! 3		2 Plug
8	3653380M1	! 3 T-A 7:75		3 Valve
9	3653381M1	! 3 ● 3653381M2(3) T-A 7:75		3 Valve
10	3653792M1	! 3 (X) 0.2.4. T-A 7:75		8 Spring
11	3653793M1	! 3 (X) 0.8.16.3 T-A 7:75		8 Nameplate
12	3653891M1	! 3 T-A 7:75		8 Clip



Engine

GX Series Tier 1 (2002-2004) - RP80 - GX50 / GXH50

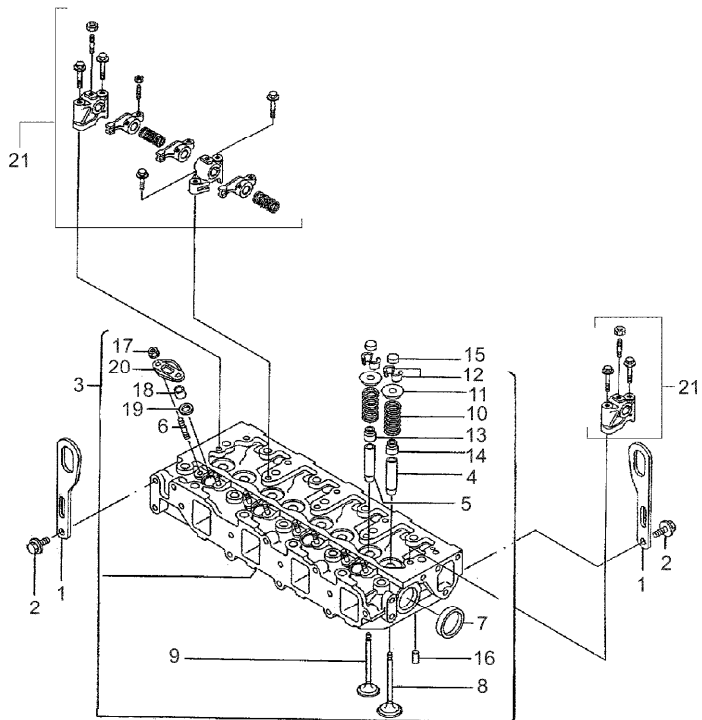
Mistral GX\00010173.png

**A-05  
045**



A05045

Cylinder head - rocker shaft - engine yanmar type "4tne 88"



			Inglese
13	3653304M1	! 3 (X) 0.8.16.3 T-A 7:75	4 Thimble
14	3664434M1	● 3653323M1(4) T-A 7:75	4 Seal
15	3653443M1	! 3 T-A 7:75	8 Shim
16	3653818M1	! 3 T-A 7:75	2 Pin
17	3653876M1	! 3	8 Nut
18	3653265M1	! 3 T-A 7:75	4 Guard
19	3653266M1	! 3 T-A 7:75	4 Washer
20	3653267M1	! 3 T-A 7:75	4 Nameplate
21	⊕ A-05 04		
!	This is a component of an assembly		
⊕	See page - reference number		
●	Replacement		
(X)	Qty per tractors sold (aa.bbb.ccc.ddd) (aa) for 1,(bbb) 2-10 (ccc) 11-25 (ddd) 26-50		
T-A	Replacement		
T-B	Overhaul		

Engine

GX Series Tier 1 (2002-2004) - RP80 - GX50 / GXH50

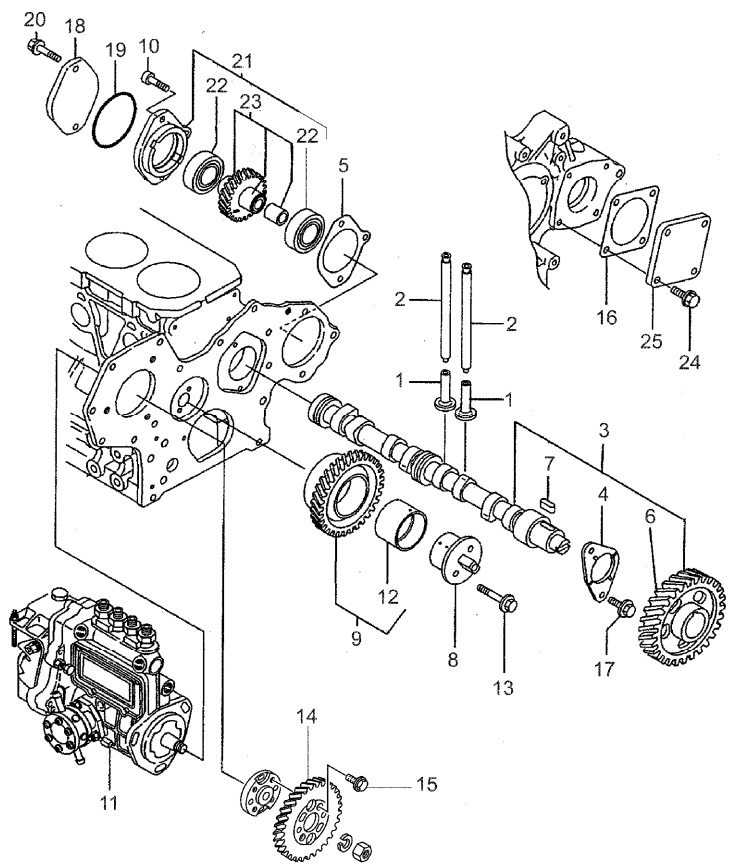
A-05  
05



A0505

Timing gear and camshaft - - engine yanmar type "4tne 88"

Mistral GX\00010160.png



				Inglese
1	3653447M1	T-A	31:0	8 Tappet
2	3653448M1	T-A	2:75	8 Rod
3	3653896M1	T-A	31:0	1 Shaft
4	3653430M1	!	3	1 Plate
		T-A	31:0	
5	3653800M1	(X)	0.2.4.	1 Gasket
		T-A	1:0	
6	3653446M1	!	3	1 Gear
		T-A	31:0	
7	3653820M1	!	3	1 Key
		T-A	31:0	
8	3653384M1	T-A	9:50	1 Support
9	3653452M1	T-A	9:50	1 Gear
10	3653879M1			1 Bolt
11		⊕	A-05 11 1	1 Pump
12	3653454M1	!	9	1 Bush
		T-A	9:50	
13	3653863M1			2 Bolt
14	3664455M1	T-A	9:25	1 Gear
15	3664454M1			4 Screw
16	3653321M1	(X)	0.2.4.	1 Gasket
		T-A	0:50	
17	3653858M1			2 Bolt
18	3653300M1	T-A	0:50	1 Cover

Engine

GX Series Tier 1 (2002-2004) - RP80 - GX50 / GXH50

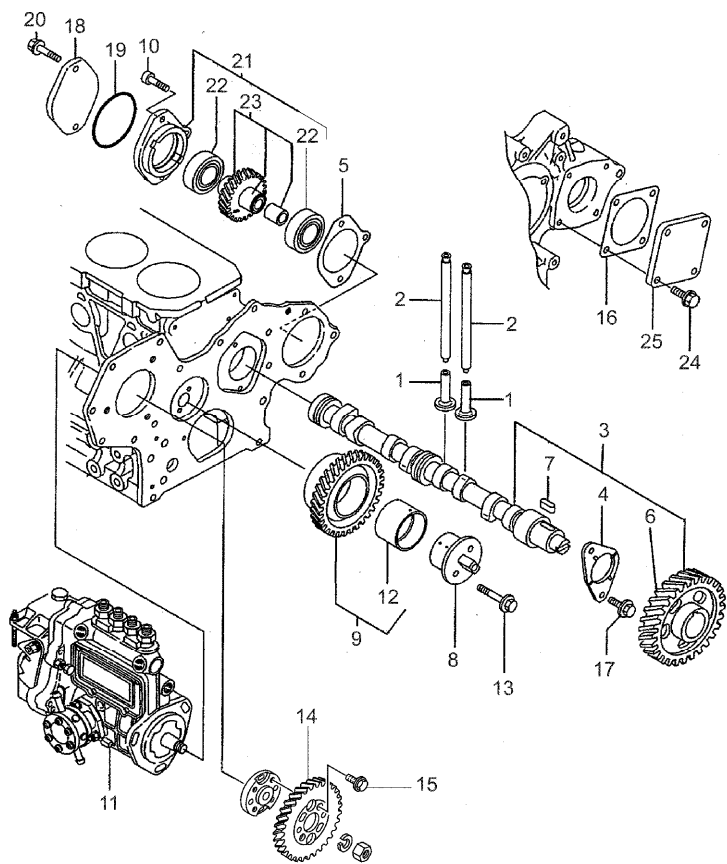
A-05  
05



A0505

Timing gear and camshaft - - engine yanmar type "4tne 88"

Mistral GX\00010160.png



				Inglese
19	3653839M1	(X) 0.2.4. T-A 0:50		1 O ring
20	3653869M1			2 Bolt
21	3653363M1	T-A 1:0		1 Kit
22	3653830M1	! 21 T-A 1:50		2 Bearing
23	3653364M1	! 21 (X) 0.2.4. T-A 1:50		1 Gear
24	3653858M1			4 Bolt
25	3653320M1	T-A 0:50		1 Cover
26	3653321M1			1 Gasket
!				This is a component of an assembly
⊕				See page - reference number
(X)				Qty per tractors sold (aa.bbb.ccc.ddd) (aa) for 1,(bbb) 2-10 (ccc) 11-25 (ddd) 26-50
T-A				Replacement

Engine

GX Series Tier 1 (2002-2004) - RP80 - GX50 / GXH50

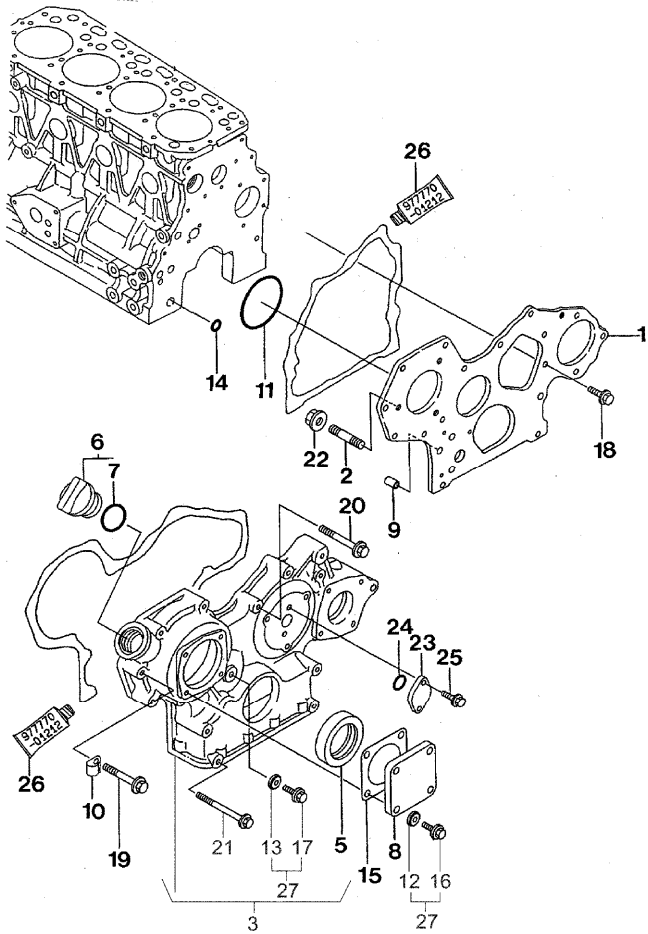
A-05  
06



A0506

Distribution cover - engine yanmar type "4tne 88"

Mistral GX\00010162.png



				Inglese
1	3653798M1	T-A 4:75		1 Flange
2	3653305M1			3 Stud
3	3653799M1	T-A 4:75		1 Housing
5	3653788M1	! 3		1 Seal
			72x55x9	
		(X) 0.2.4.		
		T-A 2:50		
6	3664430M1	●	3653315M1(1)	1 Plug
7	3653835M1	! 6		1 O ring
		T-A 0:25		
8	3653321M1	(X) 0.2.4.		1 Gasket
		T-A 0:50		
9	3653789M1			2 Bush
10	3653438M1			1 Clip
11	3653310M1	T-A 4:75		1 O ring
12	3665004M1	! 27		4 Ring
13	3665004M1	! 27		1 Ring
14	3653833M1	T-A 4:75		2 O ring
15	3653320M1	T-A 0:50		1 Cover
16	3653858M1	! 27		4 Bolt
17	3653858M1	! 27		1 Bolt
18	3653858M1			3 Bolt
19	3653863M1			6 Bolt
20	3653865M1			3 Bolt
21	3664450M1	! 3		4 Bolt

Engine

GX Series Tier 1 (2002-2004) - RP80 - GX50 / GXH50

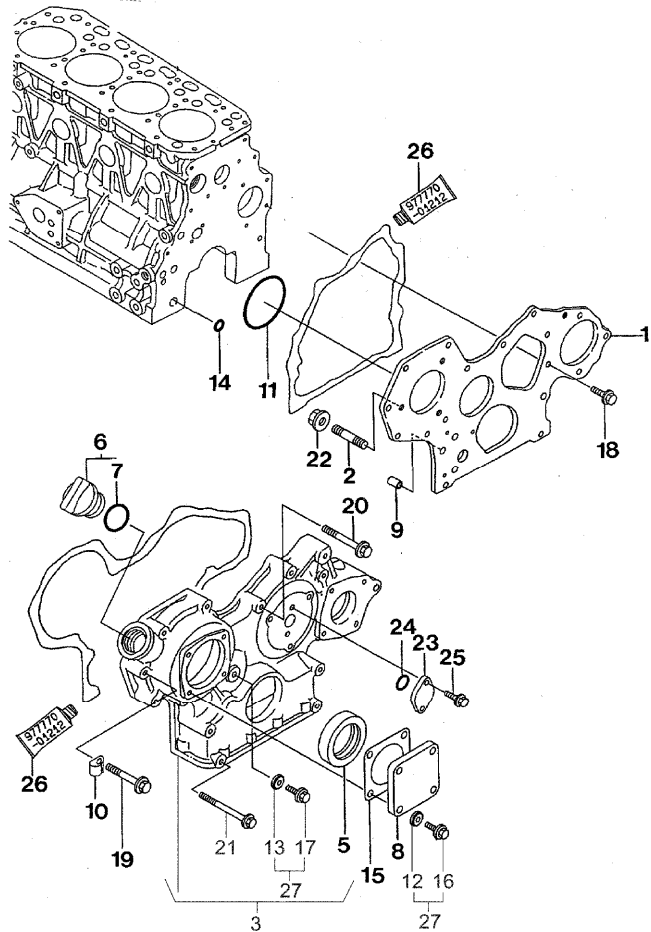
A-05  
06



A0506

Distribution cover - engine yanmar type "4tne 88"

Mistral GX\00010162.png



Inglese

22	3653877M1		3	Nut
23	3653299M1	T-A 0:25	1	Cover
24	3653841M1	T-A 0:25	1	O ring
25	3653853M1		2	Bolt
26	3653908M1	● 3653908M2(1) A (X)	1	Gasket
27	3664441M1	! 3	2	Bolt

! This is a component of an assembly

● Replacement

(X) Qty per tractors sold (aa.bbb.ccc.ddd) (aa) for 1,(bbb) 2-10 (ccc) 11-25 (ddd) 26-50

T-A Replacement

A For application, refer to workshop manual

Engine

GX Series Tier 1 (2002-2004) - RP80 - GX50 / GXH50

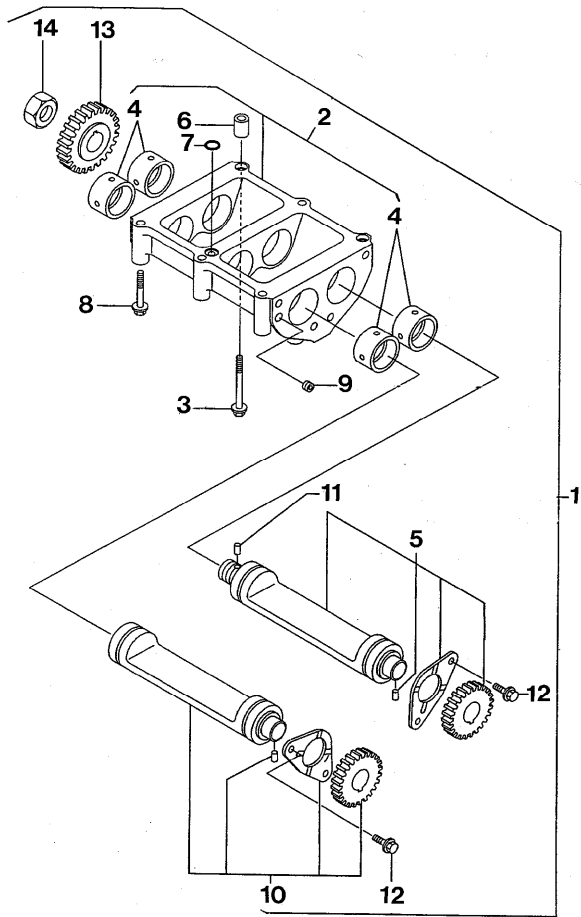
Mistral GX\00001366.png

**A-05  
065**



A05065

Balancer unit - - engine yanmar type "4tne 88"



		Inglese	
1	3653764M1	T-A 7:0	1 Weight
		T-B 9:0	
2	3664476M1	! 1	1 Housing
		T-A 4:0	
3	3653868M1	! 2	2 Bolt
4	3653743M1	! 2	4 Bush
		T-A 9:0	
5	3653905M1	! 1	1 Kit
		T-A 9:0	
6	3653790M1	! 2	2 Bush
		T-A 9:0	
7	3653832M1	! 2	1 O ring
		T-A 9:0	
8	3653866M1	! 2	4 Bolt
9	3653827M1	! 2	1 Plug
10	3653906M1	! 1	1 Kit
		T-A 9:0	
11	3653308M1	! 1	1 Dowel
12	3653857M1	! 1	4 Bolt
13	3653739M1	! 1	1 Gear
		T-A 9:0	
14	3653334M1	! 1	1 Nut
! This is a component of an assembly			
T-A Replacement			
T-B Overhaul			

***Buy Now***



Our support email:

[ebooklibonline@outlook.com](mailto:ebooklibonline@outlook.com)