

Engine

F/XL Tier 2 (2003-2008) - RP51 - F70 F/GE

Rex F Foot Step\00010980.png

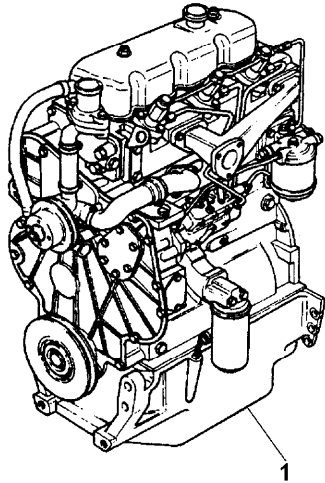
A-05  
01



A0501

Engine assembly

4-0011-050-A



Inglese

- |   |            |   |               |   |        |
|---|------------|---|---------------|---|--------|
| 1 | 3675501M91 | ● | 3675501M92(1) | 1 | Engine |
|   |            |   | T-A           |   | 10:50  |
|   |            |   | T-B           |   | 30:50  |

- Replacement
- T-A Replacement
- T-B Overhaul

Engine

F/XL Tier 2 (2003-2008) - RP51 - F70 F/GE

Rex F Foot Step\00002415.png

**A-05  
011**



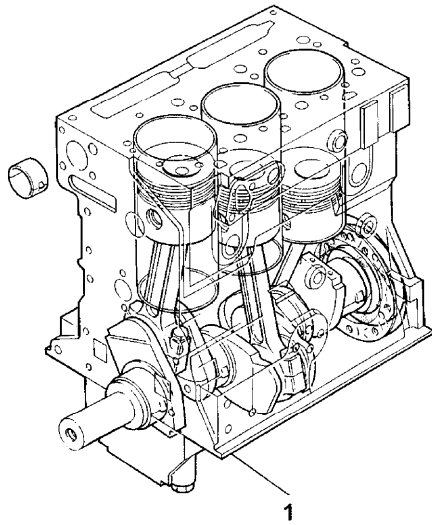
A05011

Short engine

4-ACHL-032-A

1 DD39165 T-A 25:0  
T-A Replacement

Inglese  
1 Engine



Engine

F/XL Tier 2 (2003-2008) - RP51 - F70 F/GE

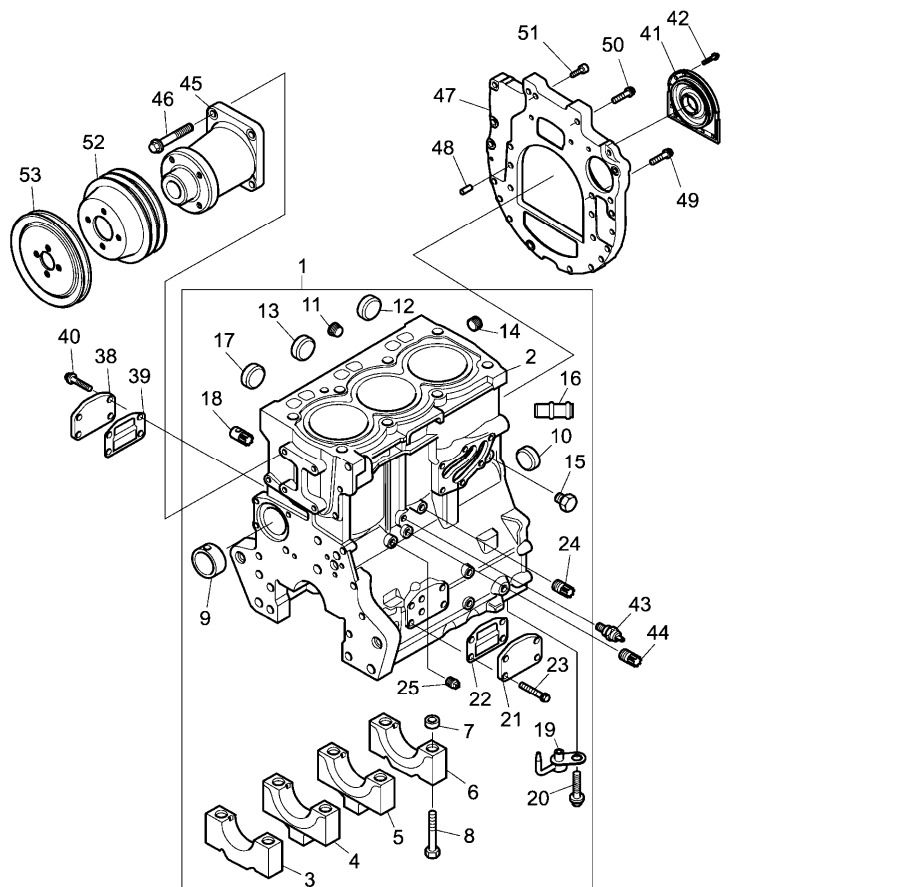
A-05  
02



A0502

Cylinder block

Rex F Foot Step\00010943.png



				Inglese
1	4181V016	T-A	30:50	1 Cylinder
2		!	1	1 Cylinder
		➡	4181v016	
3		!	1	1 Bearing
		➡	4181v016	
4		!	1	1 Bearing
		➡	4181v016	
5		!	1	1 Bearing
		➡	4181v016	
6		!	1	1 Bearing
		➡	4181v016	
7	33142111	!	1	8 Manicott
8	32166329	!	1	8 Screw
9	3112D071	!	1	1 Bush
		●	3112D075(1)	
10	3241A012	!	1	1 Plug
11	0650588	!	1	1 Plug
12	0650710	!	1	1 Plug
13	3241A011	!	1	2 Plug
14	3212P008	!	1	1 Plug
15	32141316	!	1	1 Plug
16	3313A022	!	1	1 Pipe
17	2485A108	!	1	1 Plug
18	3212V006	!	1	1 Plug

Engine

F/XL Tier 2 (2003-2008) - RP51 - F70 F/GE

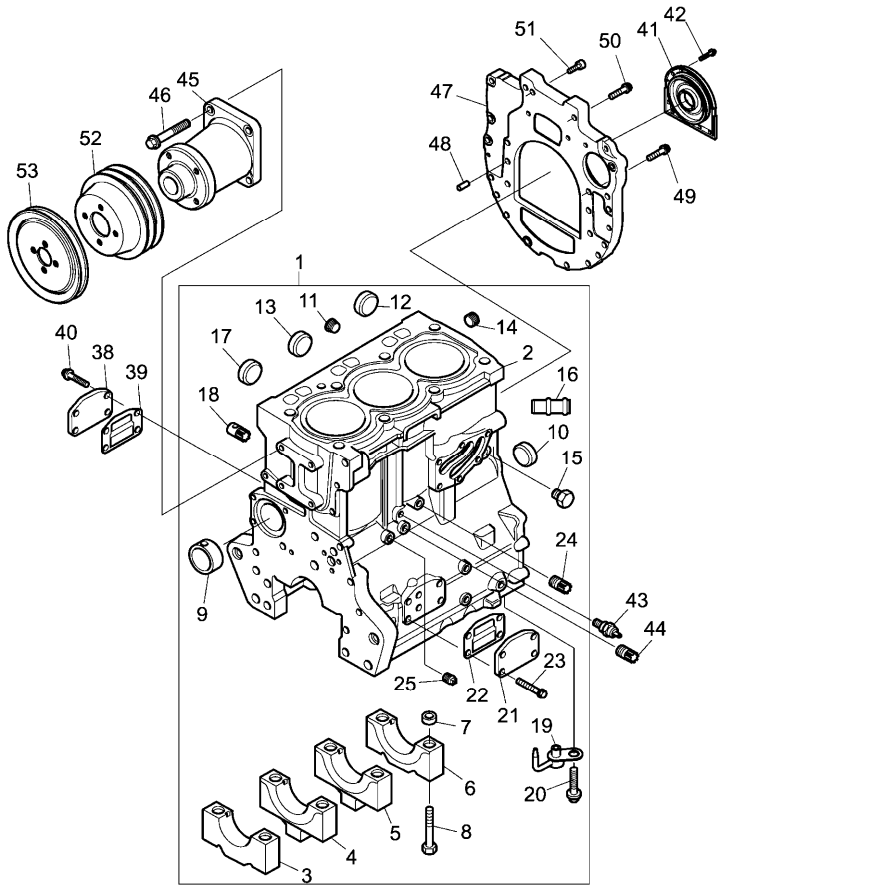
A-05  
02



A0502

Cylinder block

Rex F Foot Step\00010943.png



		Inglese	
19	2113A001	!	3 Atomiser
		●	2113A003(3)
20	2314F001	!	3 Screw
21	3623A009	!	2 Plate
		T-A	0:50
22	3688A039	!	2 Gasket
		T-A	0:50
23	2314H033	!	8 Screw
24	3212V005	!	1 Plug
25	0650594	!	1 Plug
27	3681E045	!	1 Gasket
		●	3681E049(1)
		A	
28	3681A057	!	1 Coperch.
		A	
29	2415H008	!	1 Ring
		●	2415H219(1)
		A	
30	3681V513	!	1 Gasket
		A	
31	3684N503	!	3 Gasket
		●	3693794M1(1)
		A	
32	2418M514	!	6 Ring
		●	N.L.S.(6)
		A	

Engine

F/XL Tier 2 (2003-2008) - RP51 - F70 F/GE

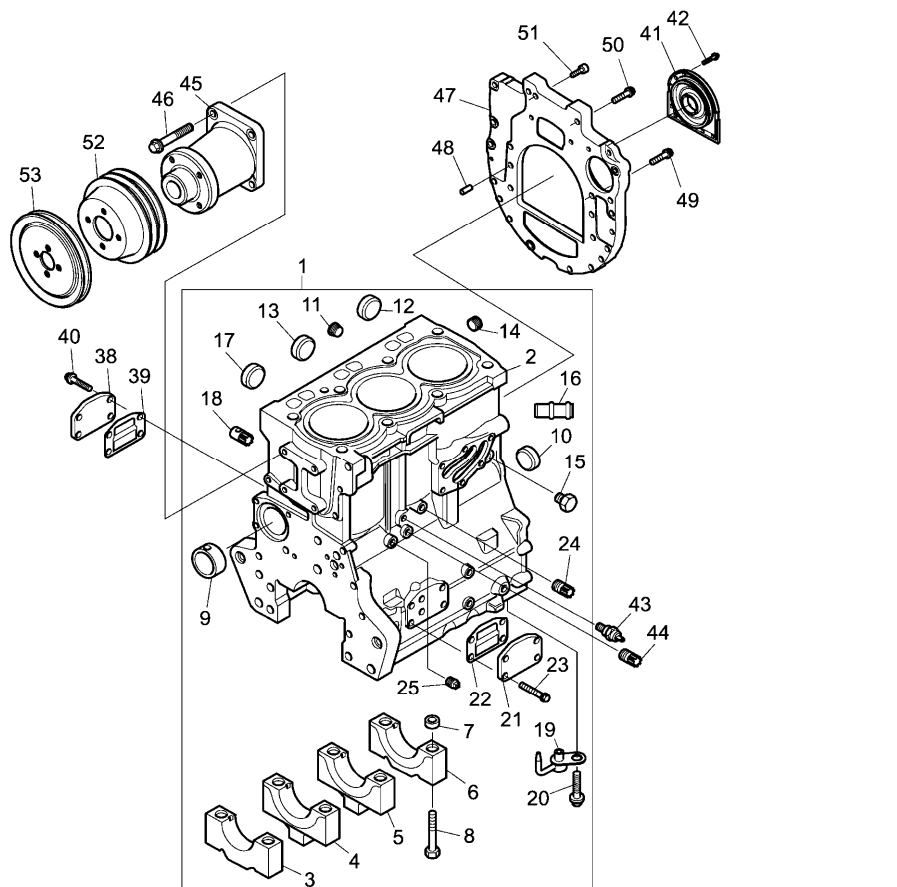
A-05  
02



A0502

Cylinder block

Rex F Foot Step\00010943.png



		Inglese			
33	L311FF02	!	26	3	Washer
		A			
34	3688A029	!	26	1	Universal joint
		A			
35	3688A035	!	26	1	Ring
		●	3688A053(1)		
		A			
36	3688A036	!	26	1	Ring
		●	3688A054(1)		
		A			
37	3688A037	!	26	1	Ring
		A			
38	3623A009	T-A	0:50	1	Plate
39	3688A039	T-A	0:50	1	Gasket
40	2314H033			4	Screw
41	2418F704	T-A		1	Housing
42	3211C002			10	Screw
43	2848062	●	4172E054(1)	1	Switch
		T-A	0:25		
44	3212V005			1	Plug
45	4113K005	T-A	2:0	1	Housing
46	2314J005			4	Screw
47	3714A062	T-A	6:0	1	Plate
48	0350025	●	3245A011(2)	2	Dowel
49	2314J203			6	Screw

Engine

F/XL Tier 2 (2003-2008) - RP51 - F70 F/GE

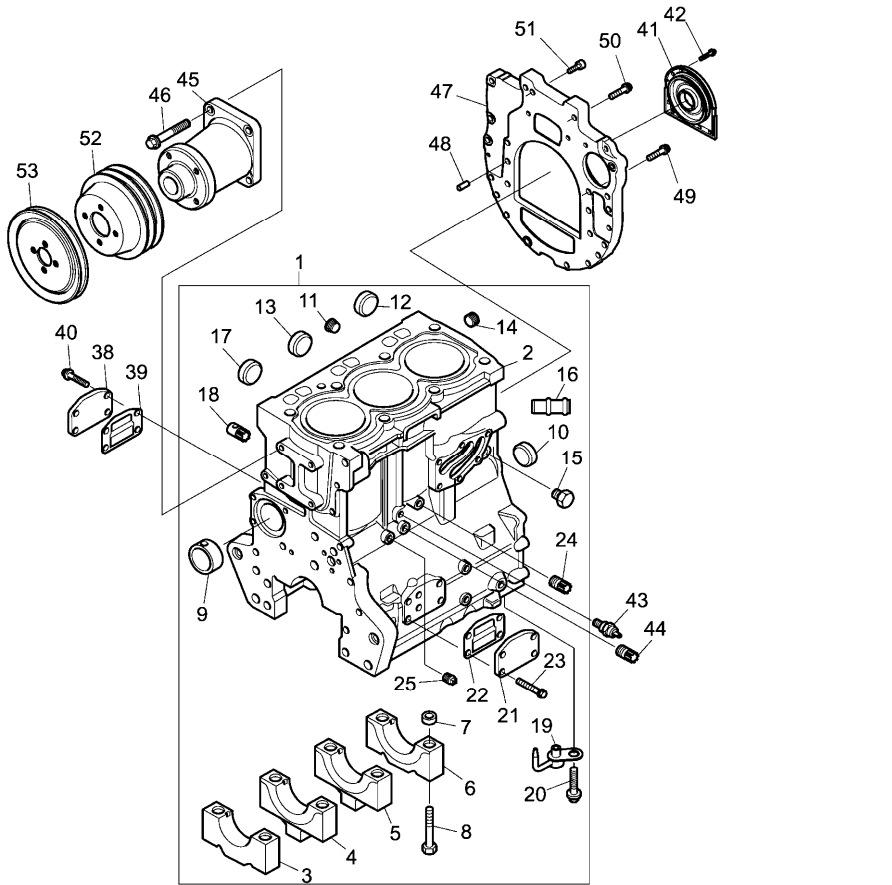
A-05  
02



A0502

Cylinder block

Rex F Foot Step\00010943.png




		Inglese
50	2314J607	1 Screw
51	2311D105	1 Screw
52	3115C113	T-A 2:0 1 Pulley
53	3114X191	T-A 2:0 1 Pulley
55	2415715	! 54 1 Ring
	A	
55	3681K038	! 54 1 Gasket
	A	
56	36832137	! 54 1 Gasket
	A	
57	3617V015	! 54 1 Gasket
	● 3681P053(1)	
	A	
58	3617V016	! 54 1 Gasket
	● 3681P053(1)	
	A	
59	3681P046	! 54 1 Gasket
	A	
60	26420318	! 54 1 Ring
	A	
61	3688A039	! 54 2 Gasket
	A	
62	3688A041	! 54 1 Ring
	A	
63	3682A011	! 54 1 Gasket
	A	

Engine

F/XL Tier 2 (2003-2008) - RP51 - F70 F/GE

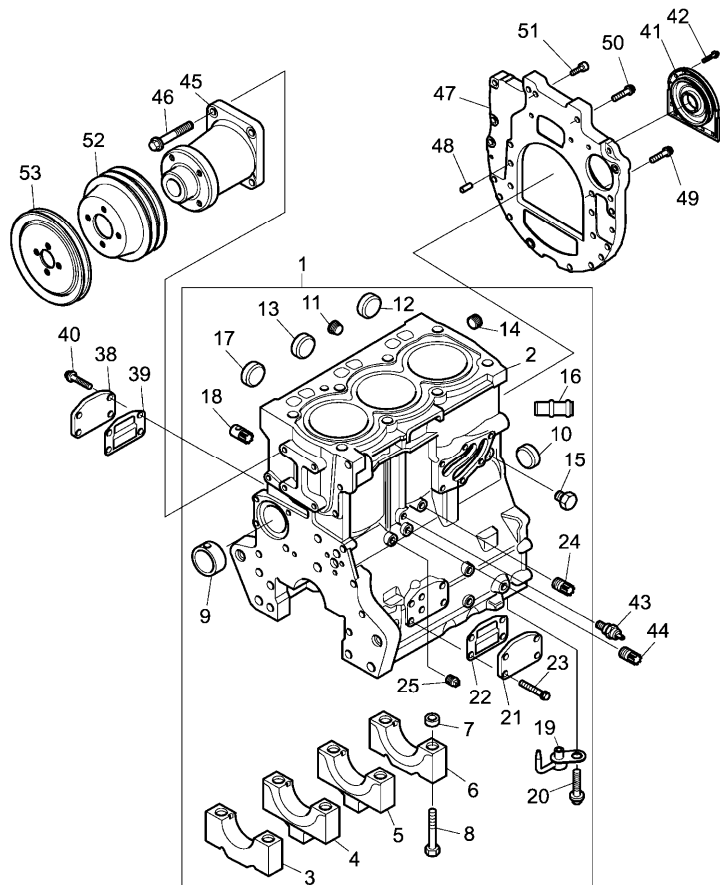
**A-05  
02**



A0502

Cylinder block

Rex F Foot Step\00010943.png



**Inglese**

64	3688A035	!	54	1	Ring
		●	3688A053(1)		
		A			
65	3688A036	!	54	1	Ring
		●	3688A054(1)		
		A			

- ! This is a component of an assembly
- ▣ Not serviced, order
- Replacement
- T-A Replacement
- A Not illustrated

Engine

F/XL Tier 2 (2003-2008) - RP51 - F70 F/GE

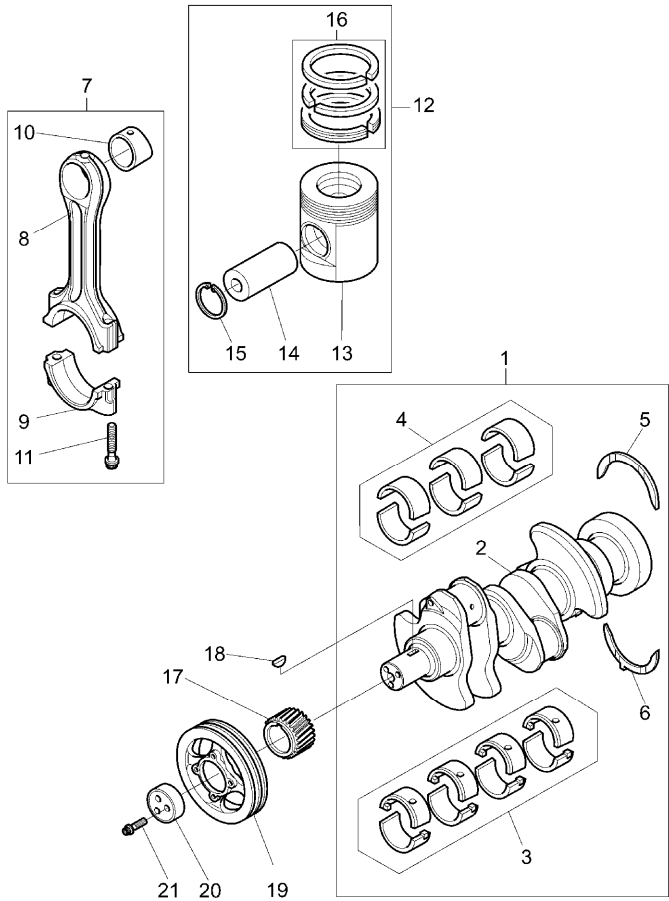
Rex F Foot Step00010944.png

**A-05  
03**



A0503

Crankshaft, pistons and connecting rods



		Inglese	
1	4181V017	T-A 18:50	1 Shaft
2		! 1	1 Crankshaft
3	U5MB0019	➡ Ref. n. 1 ! 1	1 Kit
		● U5MB0037(1)	
		T-A 18:50	
4	U5ME0018	! 1	1 Kit
		● U5ME0033(1)	
		T-A 18:50	
5	31137312	✂ (+)0.007" ! 1	2 Ring
		T-A 18:50	
5	31137551	! 1	2 Washer
		T-A 18:50	
6	31137322	✂ (+)0.007" ! 1	2 Ring
		T-A 18:50	
6	31137561	! 1	2 Washer
		T-A 18:50	
7	4115C311	➡ U491477 t F	3 Kit
		T-A 17:0	
7	4115C312	➡ U491477 t E	3 Kit
		T-A 17:0	



Engine

F/XL Tier 2 (2003-2008) - RP51 - F70 F/GE

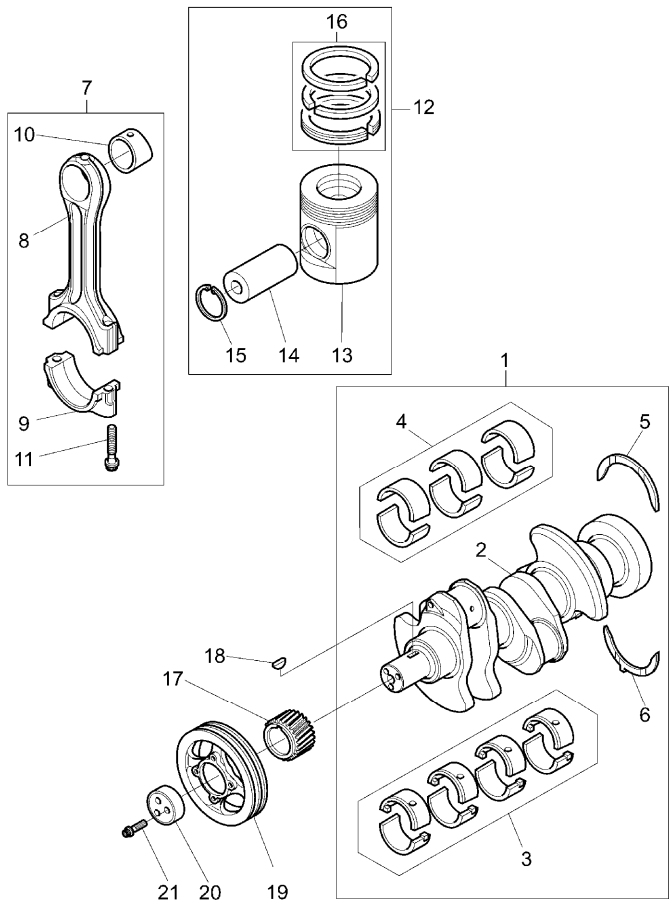
Rex F Foot Step00010944.png

**A-05  
03**



A0503

Crankshaft, pistons and connecting rods



		Inglese	
7	4115C313	➡ U491477 t	3 Kit
		D	
		T-A 17:0	
7	4115C314	➡ U491477 t	3 Kit
		C	
		T-A 17:0	
7	4115C315	➡ U491477 t	3 Kit
		B	
		T-A 17:0	
7	4115C316	➡ U491477 t	3 Kit
		A	
		T-A 17:0	
7	4115C361	➡ U491478 t	3 Conrod
		F	
7	4115C362	➡ U491478 t	3 Conrod
		E	
7	4115C363	➡ U491478 t	3 Conrod
		D	
7	4115C364	➡ U491478 t	3 Conrod
		C	
7	4115C365	➡ U491478 t	3 Conrod
		B	
7	4115C366	➡ U491478 t	3 Conrod
		A	
8	!	7	1 Conrod
	➡	Ref. n. 7	

Engine

F/XL Tier 2 (2003-2008) - RP51 - F70 F/GE

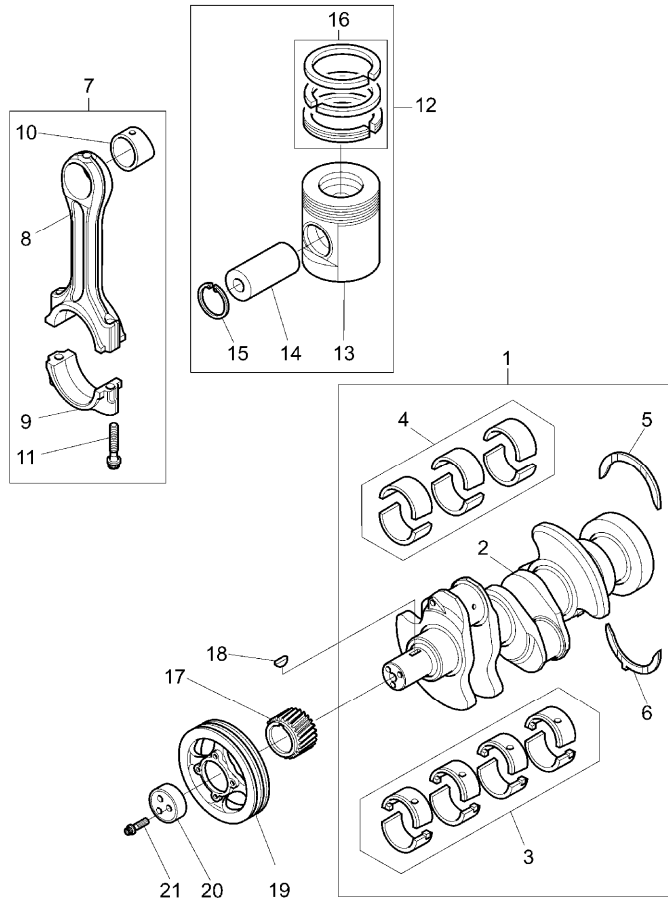
Rex F Foot Step00010944.png

**A-05  
03**



A0503

Crankshaft, pistons and connecting rods



		Inglese
9	!	7
	➡	Ref. n. 7
10	3112A005	!
		7
		T-A 17:0
11	3212V003	!
		7
		T-A 17:0
12	4115P015	T-A
		17:0
13		!
		12
		➡
		Rf. n. 12
14		!
		12
		➡
		Ref. n. 12
15	2721332	!
		12
16	UPRK0002	!
		12
		(X) 0.1.3.
		T-A 17:0
17	3117C221	T-A
		13:0
18	0500012	T-A
		13:0
19	3115T051	T-A
		2:0
20	3241N001	T-A
		2:0
21	32186137	
		3
		!
		This is a component of an assembly
		➡ From serial or engine number
		➡ Up to serial or engine number
		➡ Not serviced, order
		▲ Shim
		● Replacement

(X) Qty per tractors sold (aa.bbb.ccc.ddd) (aa) for 1,(bbb) 2-10 (ccc) 11-25 (ddd) 26-50  
T-A Replacement

Engine

A-05  
03

Crankshaft, pistons and connecting rods

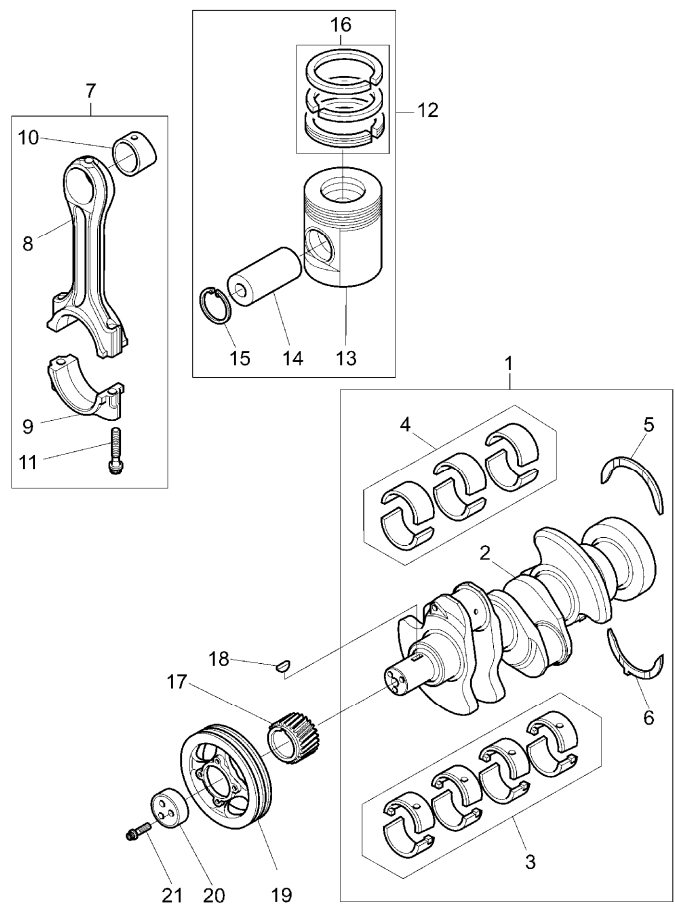
F/XL Tier 2 (2003-2008) - RP51 - F70 F/GE



A0503

Rex F Foot Step00010944.png

- A Blue
- B Purple
- C Green
- D White
- E Orange
- F Red



Engine

F/XL Tier 2 (2003-2008) - RP51 - F70 F/GE

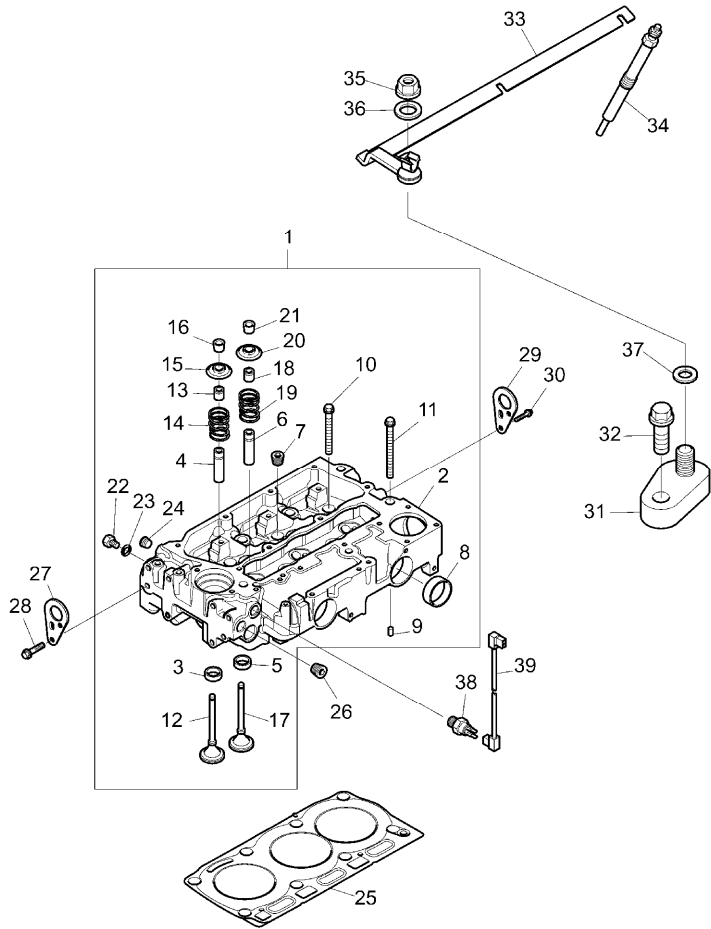
Rex F Foot Step00010945.png

A-05  
04



A0504

Cylinder head



		Inglese	
1	4181V014	● 4181V039(1) T-A 4:0 T-B 7:0	1 Head
2		! 1	1 Head
3	3314A151	➡ 4181v014 ! 1	3 Insert
		● 3314A241(3) T-A 7:50	
4	3313E021	! 1	3 Guide
		● 3313A012(3) T-A 7:50	
5	3314A161	! 1	3 Insert
		● 3314A231(3) T-A 7:50	
6	3313E021	! 1	3 Guide
		● 3313A012(3) T-A 7:50	
7	0650588	! 1	3 Plug
		T-A 0:50	
8	32416117	! 1	3 Plug
		T-A 1:0	
9	3244A009	! 1	2 Dowel
10	3218A011	! 1	5 Screw
11	3218A012	! 1	3 Screw
12	3142H071	! 1	3 Valve
		T-A 7:50	

Engine

F/XL Tier 2 (2003-2008) - RP51 - F70 F/GE

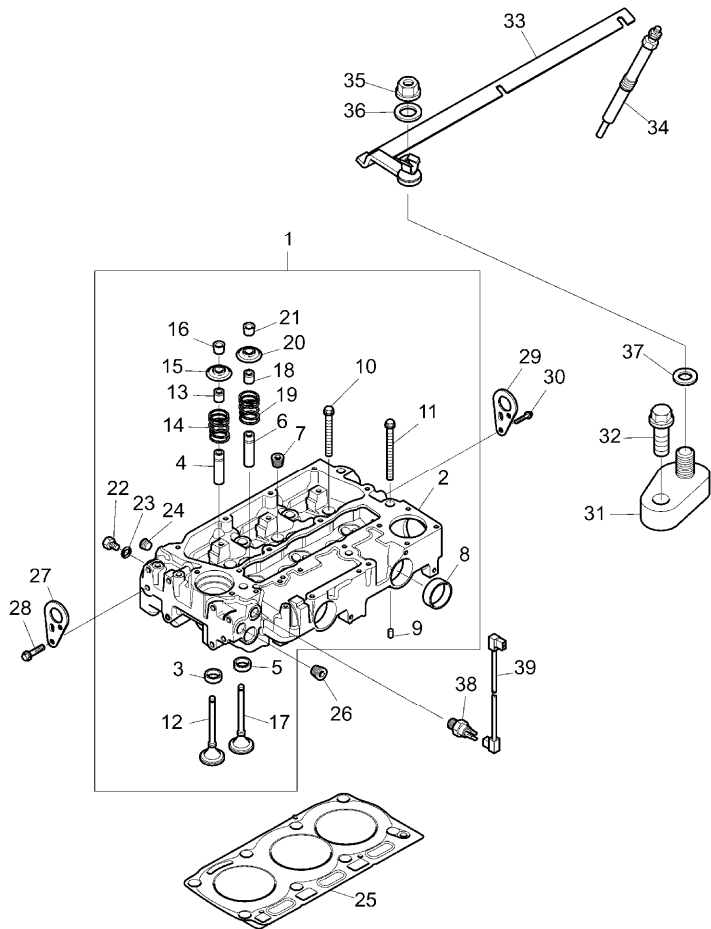
Rex F Foot Step\00010945.png

**A-05  
04**



A0504

Cylinder head



			Inglese
13	2418M514	! 1	3 Ring
		● N.L.S.(3)	
		T-A 3:0	
14	3174A016	! 1	3 Spring
		T-A 3:0	
15	3342A011	! 1	3 Cover
		T-A 3:0	
16	3142W004	! 1	6 Cotter
		T-A 3:0	
17	3142A151	! 1	3 Valve
		T-A 7:50	
18	2418M514	! 1	3 Ring
		● N.L.S.(3)	
		T-A 3:0	
19	3174A016	! 1	3 Spring
		T-A 3:0	
20	3342A011	! 1	3 Cover
		T-A 3:0	
21	3142W004	! 1	6 Cotter
		T-A 3:0	
22	3278A006	! 1	1 Plug
23	2415H003	! 1	1 Ring
24	2431154	! 1	3 Plug
25	3681E045	● 3681E049(1)	1 Gasket
		T-A 4:0	
26	2431154		1 Plug

Engine

F/XL Tier 2 (2003-2008) - RP51 - F70 F/GE

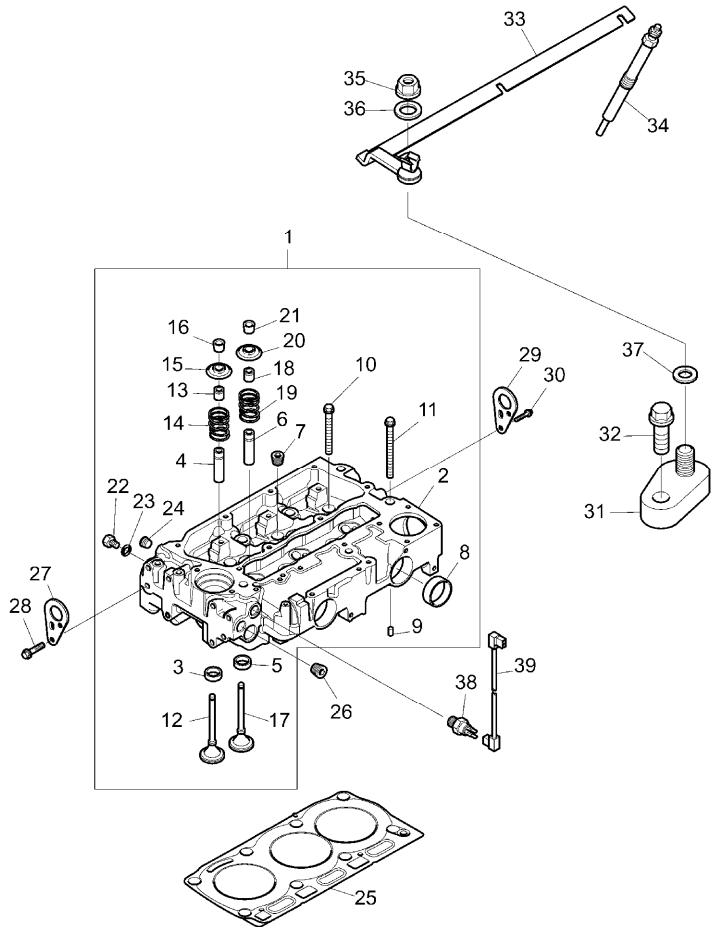
Rex F Foot Step00010945.png

**A-05  
04**



A0504

Cylinder head



- 27 3617A015
- 28 2314J002
- 29 3617A015 T-A 3:0
- 30 2314J002
- 31 3881A006
- 32 2314F004
- 33 3812A031 T-A 0:50
- 34 2666A016 T-A 0:75
- 35 2318A602
- 36 2134A609
- 37 0920002
- 38 2848A127 T-A 0:25
- 39 3161C017 T-A 0:25

- ! This is a component of an assembly
- 🔧 Not serviced, order
- 🔩 Replacement
- T-A Replacement
- T-B Overhaul

**Inglese**

- 1 Stirrup
- 2 Screw
- 1 Stirrup
- 2 Screw
- 1 Insulator
- 1 Screw
- 1 Bar
- 3 Spark plug
- 1 Nut
- 1 Washer
- 1 Washer
- 1 Sensor
- 1 Cable

**Buy Now**



Our support email:

[ebooklibonline@outlook.com](mailto:ebooklibonline@outlook.com)