

Engine

F/XL Tier 2 (2003-2008) - RP51 - F75 F/XL/GE

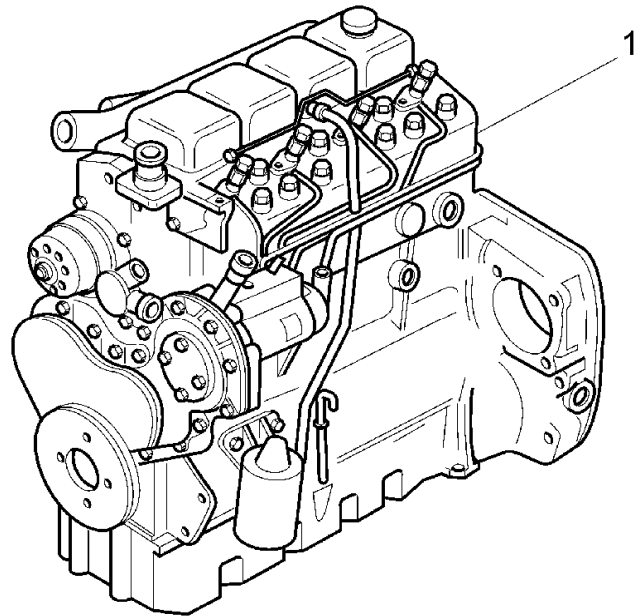
Rex F Foot Step\00010996.png

A-05
01



A0501

Engine assembly - "1004-42"green engine



Inglese

- | | | | | | |
|---|------------|---|-------------------|---|--------|
| 1 | 3675502M91 | ● | 3675502M93(1) | 1 | Engine |
| | | | Perkins - re38102 | | |
| | | | T-A | | 10:50 |
| | | | T-B | | 30:50 |

- Replacement
- T-A Replacement
- T-B Overhaul

Engine

F/XL Tier 2 (2003-2008) - RP51 - F75 F/XL/GE

Rex F Foot Step\00002787.png

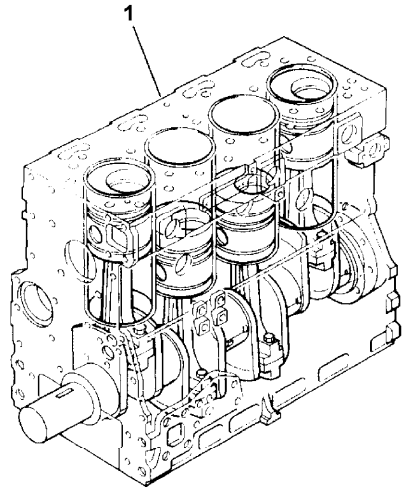
A-05
011



A05011

Short engine

- | | | | | | | |
|---|---------|-----|----------------------------------|---------|---|--------------|
| 1 | RE40002 | ➡ | U491476 t | Inglese | 1 | Engine |
| | | ● | 3115A141(1),
32186146(3), RE4 | | | |
| | | T-A | 30:0 | | | |
| 1 | RE40021 | ➡ | U491477 t | | 1 | Short engine |
- ➡ From serial or engine number
 ➡ Up to serial or engine number
 ● Replacement
 T-A Replacement



Engine

F/XL Tier 2 (2003-2008) - RP51 - F75 F/XL/GE

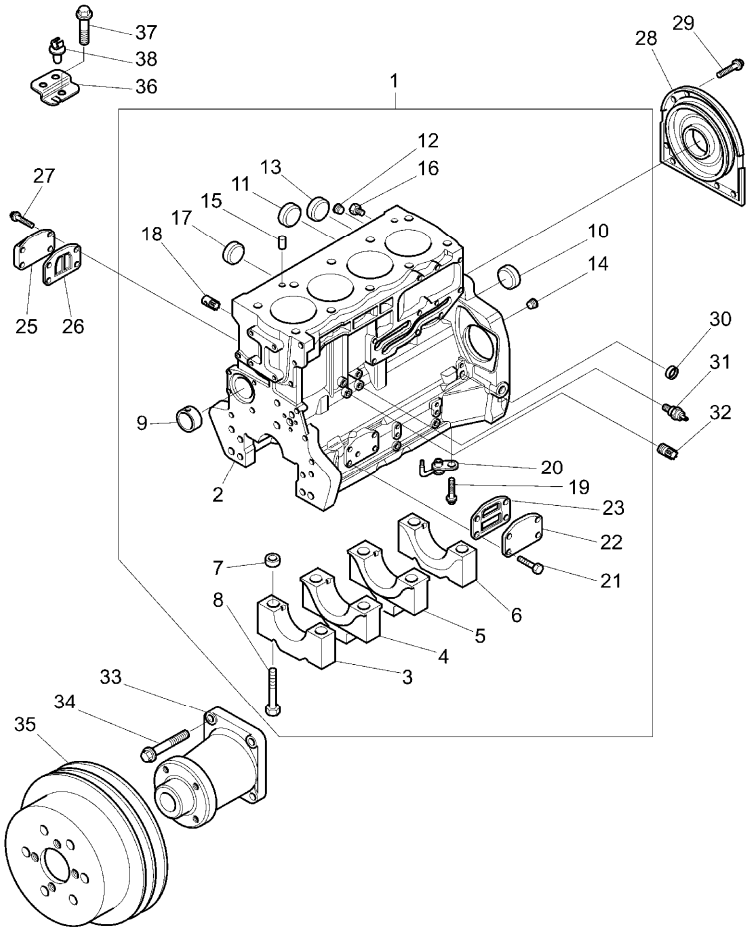
Rex F Foot Step00010995.png

A-05
02



A0502

Cylinder block



		Inglese
1	ZZ50312	1 Kit
	● ZZ50325(1)	
	T-A 30:50	
2	! 1	1 Cylinder
	➤ Zz50312	
3	! 1	1 Bearing
	➤ Zz50312	
4	! 1	1 Bearing
	➤ Zz50312	
5	! 1	1 Bearing
	➤ Zz50312	
6	! 1	1 Bearing
	➤ Zz50312	
7	33142111	8 Manicott
8	32166329	8 Screw
9	3112D071	1 Bush
	● 3112D075(1)	
10	3241A012	1 Plug
11	3241A011	2 Plug
12	0650588	1 Plug
13	0650710	1 Plug
14	3212P008	1 Plug
15	3244A009	2 Dowel
16	32141316	2 Plug
17	2485A108	1 Plug
18	3212V006	1 Plug

Engine

F/XL Tier 2 (2003-2008) - RP51 - F75 F/XL/GE

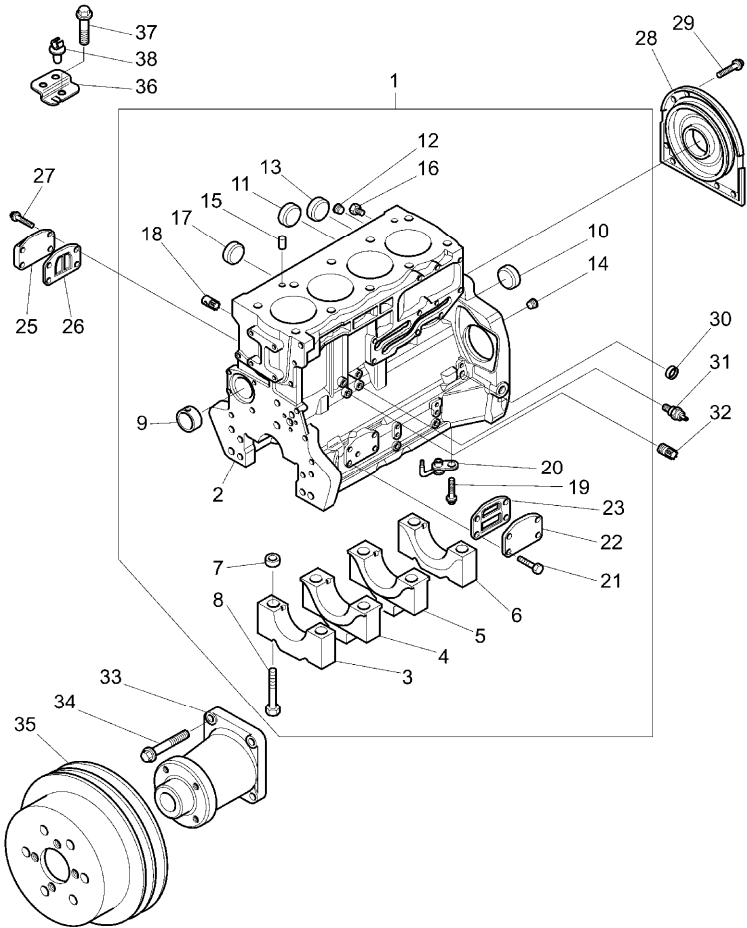
Rex F Foot Step00010995.png

A-05
02



A0502

Cylinder block



		Inglese	
19	2314F001	! 1	4 Screw
20	2113A001	! 1	4 Atomiser
		● 2113A003(4)	
21	2314H033	! 1	4 Screw
22	3623A009	! 1	1 Plate
		T-A 0:50	
23	3688A039	! 1	1 Gasket
		T-A 0:50	
25		B	1 Coperch.
26	3688A041	T-A 0:50	1 Ring
27	2314H034		4 Screw
28	2418F704	T-A 11:0	1 Housing
29	3211C002		10 Screw
30	2485A109		1 Plug
31	2848062	● 4172E054(1)	1 Switch
		T-A 0:25	
32	3212V005		1 Plug
33	4113K005	T-A 2:0	1 Housing
34	2314J005		4 Screw
35	3115C111	T-A 2:0	1 Pulley
36	3651A016	T-A 2:0	1 Support
37	2314H002		1 Screw
38	2481D556	● 2481D558(1)	1 Clip
40	3681K036	! 39	1 Gasket
		A	

Engine

F/XL Tier 2 (2003-2008) - RP51 - F75 F/XL/GE

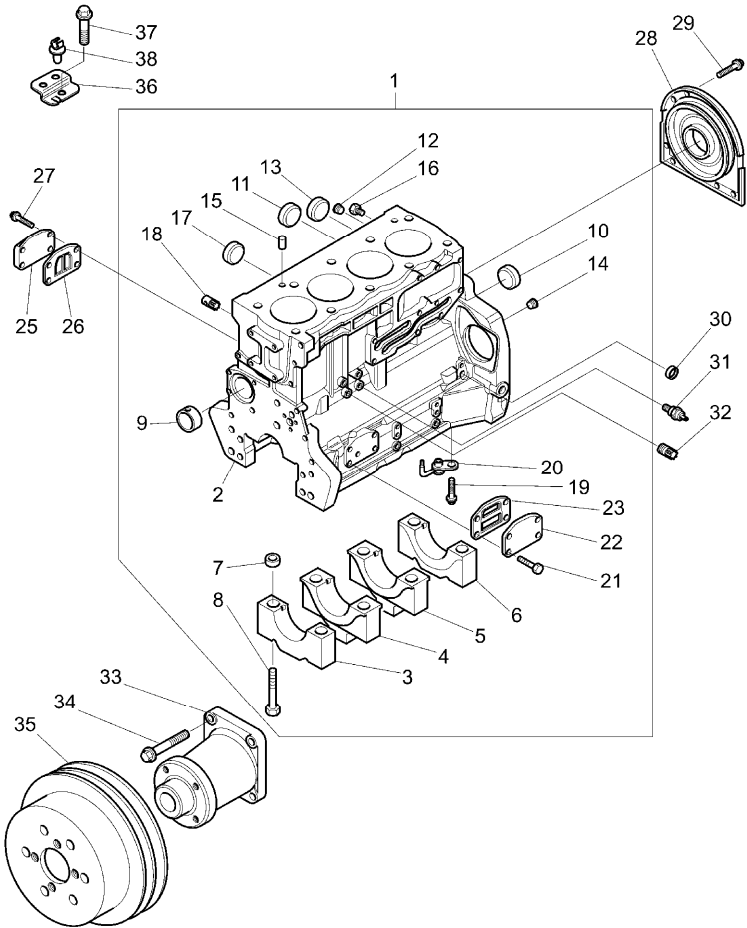
A-05
02



A0502

Cylinder block

Rex F Foot Step00010995.png



		Inglese		
41	2415715	!	39	1 Ring
		A		
42	36832137	!	39	1 Gasket
		A		
43	3617V015	!	1	1 Gasket
		●	3681P053(1)	
		A		
44	3617V016	!	39	1 Gasket
		●	3681P053(1)	
		A		
45	3681P046	!	39	1 Gasket
		A		
46	26420318	!	39	1 Ring
		A		
47	3688A041	!	39	1 Ring
		A		
48	3688A039	!	39	1 Gasket
		A		
49	3682A011	!	39	1 Gasket
		A		
50	3688A035	!	39	1 Ring
		●	3688A053(1)	
		A		
51	3685A024	!	39	1 Ring
		●	3685A033(1)	
		A		

Engine

F/XL Tier 2 (2003-2008) - RP51 - F75 F/XL/GE

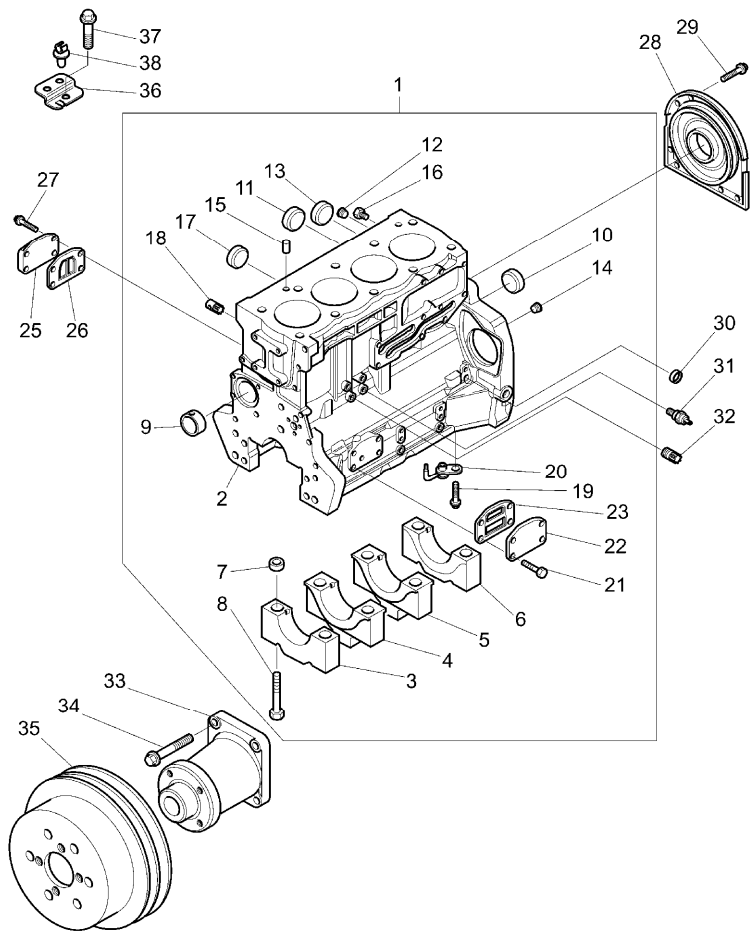
A-05
02



A0502

Cylinder block

Rex F Foot Step00010995.png



Inglese

52 3685A025 ! 39

1 Ring

A

! This is a component of an assembly

Not serviced, order

Replacement

T-A Replacement

A Not illustrated

B To be advised

Engine

F/XL Tier 2 (2003-2008) - RP51 - F75 F/XL/GE

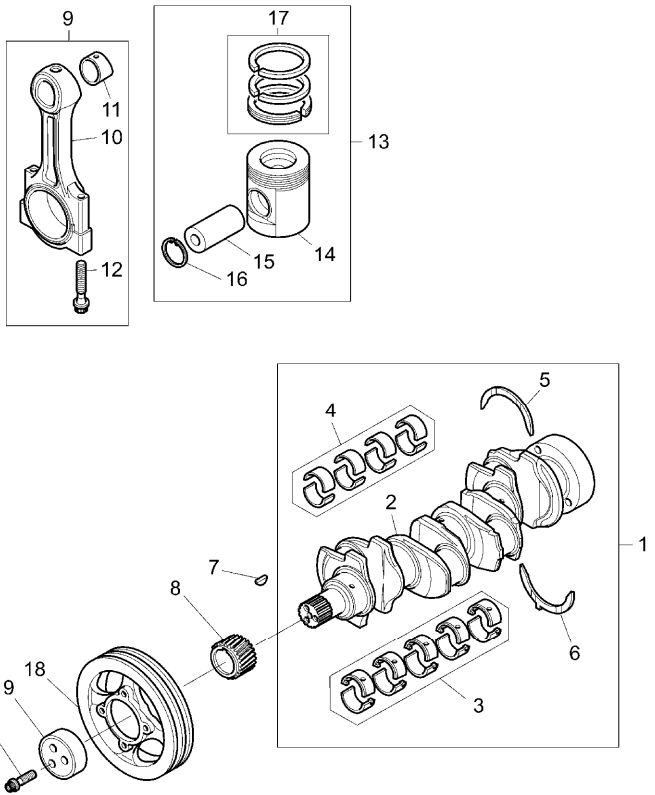
Rex F Foot Step00010997.png

**A-05
03**



A0503

Crankshaft, pistons and connecting rods



Inglese

- | | | | | | |
|---|-----------|-----|--------------|---|------------|
| 1 | ZZ90224 | ➡ | U491476 t | 1 | Kit |
| | | ● | ZZ90239(1) | | |
| | | T-A | 18:50 | | |
| 1 | ZZ90237 | ➡ | U491477 t | 1 | Shaft |
| 2 | | ! | 1 | 1 | Crankshaft |
| | | ➡ | Zz90224 | | |
| 3 | U5MB0018 | ! | 1 | 1 | Kit |
| | | ● | U5MB0033(1) | | |
| | | T-A | 18:50 | | |
| 3 | U5MB0018A | ⚡ | (+)0.010" | 1 | Kit |
| | | ● | U5MB0033A(1) | | |
| | | T-A | 18:50 | | |
| 3 | U5MB0018C | ⚡ | (+)0.030" | 1 | Kit |
| | | ● | N.L.A.(1) | | |
| | | T-A | 18:50 | | |
| 4 | U5ME0013 | ! | 1 | 1 | Kit |
| | | ● | U5ME0034(1) | | |
| | | T-A | 18:50 | | |
| 4 | U5ME0013A | ⚡ | (+)0.010" | 1 | Kit |
| | | ● | U5ME0034A(1) | | |
| | | T-A | 18:50 | | |
| 4 | U5ME0013B | ⚡ | (+)0.020" | 1 | Kit |
| | | ● | U5ME0034B(1) | | |
| | | T-A | 18:50 | | |

Engine

F/XL Tier 2 (2003-2008) - RP51 - F75 F/XL/GE

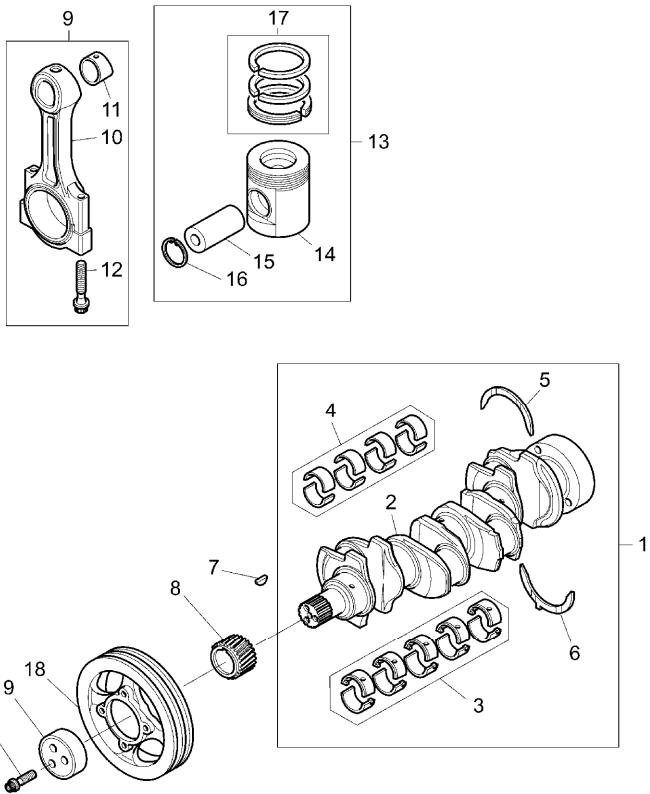
Rex F Foot Step00010997.png

A-05
03



A0503

Crankshaft, pistons and connecting rods



Inglese

4	U5ME0013C	⚡ (+)0.030"	1	Kit
		● U5ME0034C(1)		
		T-A 18:50		
5	31137312	⚡ (+)0.007"	2	Ring
		T-A 18:50		
5	31137551	! 1	2	Washer
		T-A 18:50		
6	31137322	⚡ (+)0.007"	2	Ring
		T-A 18:50		
6	31137561	! 1	2	Washer
		T-A 18:50		
7	0500012		1	Key
8	3117C221	T-A 13:0	1	Gear
9	4115C311	➡ U491477 t	4	Kit
		F		
		T-A 17:0		
9	4115C312	➡ U491477 t	4	Kit
		E		
		T-A 17:0		
9	4115C313	➡ U491477 t	4	Kit
		D		
9	4115C314	➡ U491477 t	4	Kit
		C		
		T-A 17:0		

Engine

F/XL Tier 2 (2003-2008) - RP51 - F75 F/XL/GE

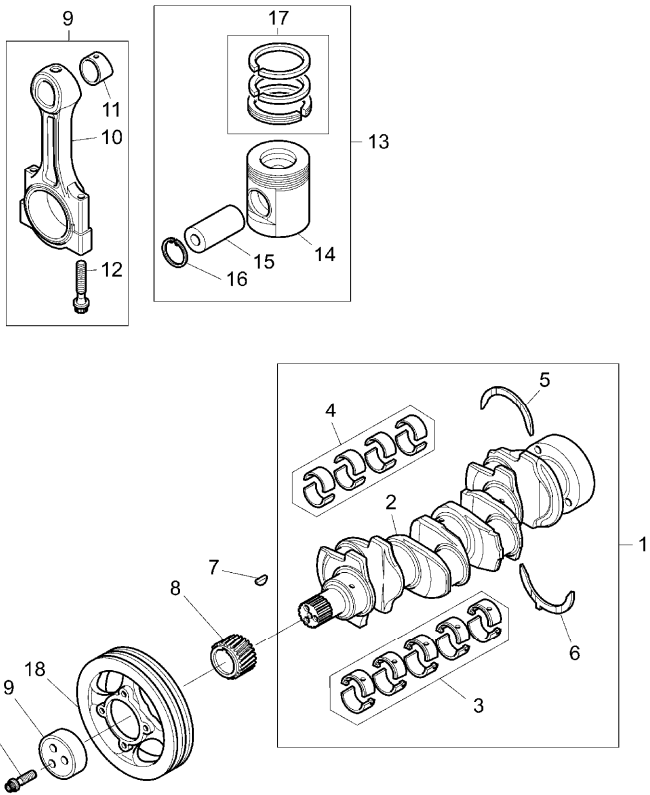
Rex F Foot Step00010997.png

A-05
03



A0503

Crankshaft, pistons and connecting rods



		Inglese	
9	4115C315	➡ U491477 t B T-A 17:0	4 Kit
9	4115C316	➡ U491477 t A T-A 17:0	4 Kit
9	4115C361	➡ U491478 t F	4 Conrod
9	4115C362	➡ U491478 t E	4 Conrod
9	4115C363	➡ U491478 t D	4 Conrod
9	4115C364	➡ U491478 t C	4 Conrod
9	4115C365	➡ U491478 t B	4 Conrod
9	4115C366	➡ U491478 t A	4 Conrod
10		➡ 9	1 Conrod
11	3112A005	! 9 T-A 17:0	1 Bush
12	3212V003	! 9	2 Screw
13	4115P011	T-A 17:0	4 Kit
14		! 13 ➡ 4115p011	1 Piston

Engine

F/XL Tier 2 (2003-2008) - RP51 - F75 F/XL/GE

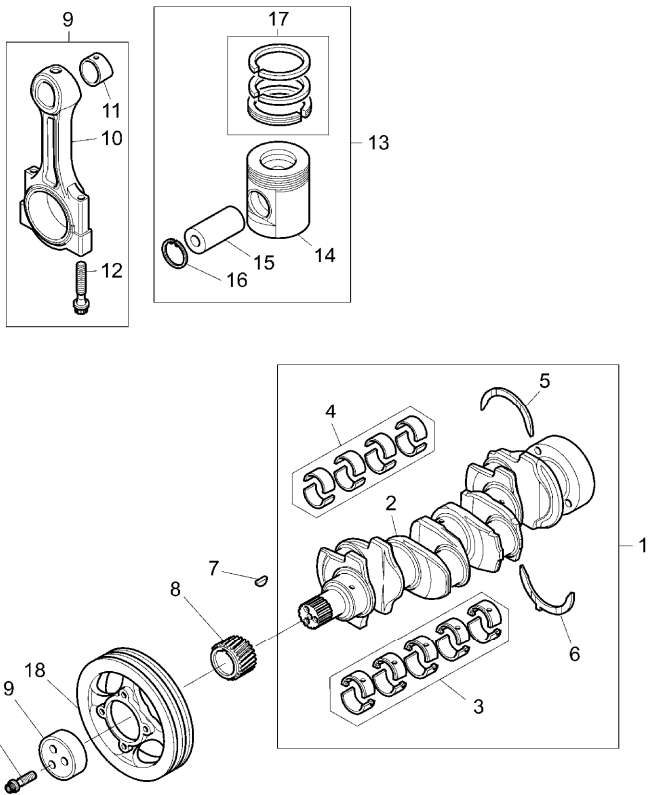
Rex F Foot Step00010997.png

**A-05
03**



A0503

Crankshaft, pistons and connecting rods



		Inglese	
15	!	13	1 Pin
	➡	4115p011	
16	!	13	2 Ring
17	!	13	1 Kit
	(X)	0.1.3.	
	T-A	17:0	
18	!	2:0	1 Pulley
19	!	2:0	1 Block
20	!		3 Screw
!	This is a component of an assembly		
➡	From serial or engine number		
➡	Up to serial or engine number		
➡	Not serviced, order		
▲	Shim		
●	Replacement		
(X)	Qty per tractors sold (aa.bbb.ccc.ddd) (aa) for 1,(bbb) 2-10 (ccc) 11-25 (ddd) 26-50		
T-A	Replacement		
A	Blue		
B	Purple		
C	Green		
D	White		
E	Orange		
F	Red		

Engine

F/XL Tier 2 (2003-2008) - RP51 - F75 F/XL/GE

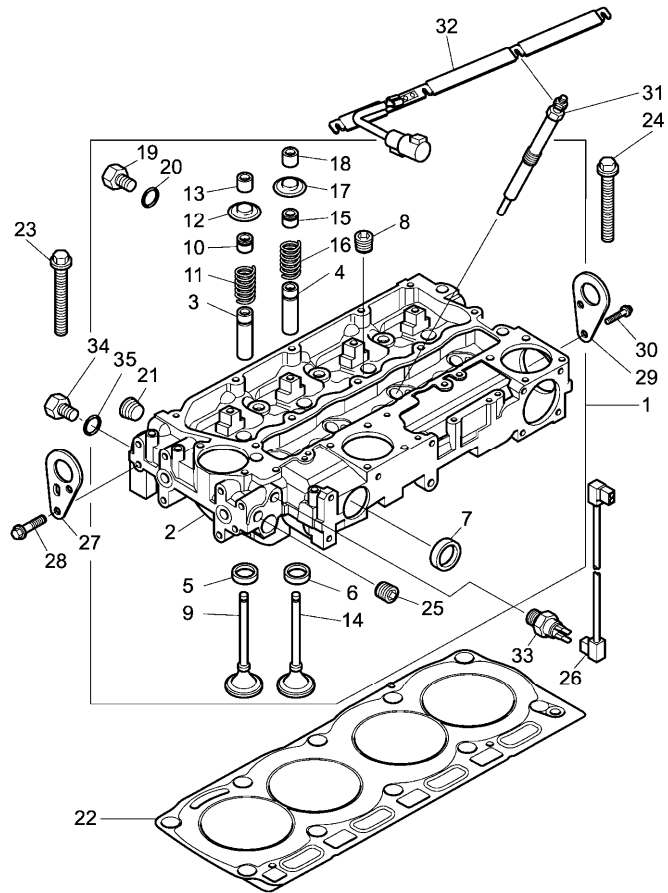
A-05
04



A0504

Cylinder head

Rex F Foot Step\00010998.png



Inglese

1	ZZ80268	T-A 4:0	1	Kit
		T-B 7:0		
2	!	1	1	Head
		Zz80268		
3	3313E021	!	1	4 Guide
		●	3313A012(4)	
		T-A 7:50		
4	3313E021	!	1	4 Guide
		●	3313A012(4)	
		T-A 7:50		
5	3314A151	!	1	4 Insert
		●	3314A241(4)	
		T-A 7:50		
6	3314A161	!	1	4 Insert
		●	3314A231(4)	
		T-A 7:50		
7	32416117	!	1	2 Plug
		T-A 1:0		
8	0650588	!	1	4 Plug
		T-A 0:50		
9	3142H071	!	1	4 Valve
		T-A 7:50		
10	2418M514	!	1	4 Ring
		●	N.L.S.(4)	
		T-A 3:0		

Engine

F/XL Tier 2 (2003-2008) - RP51 - F75 F/XL/GE

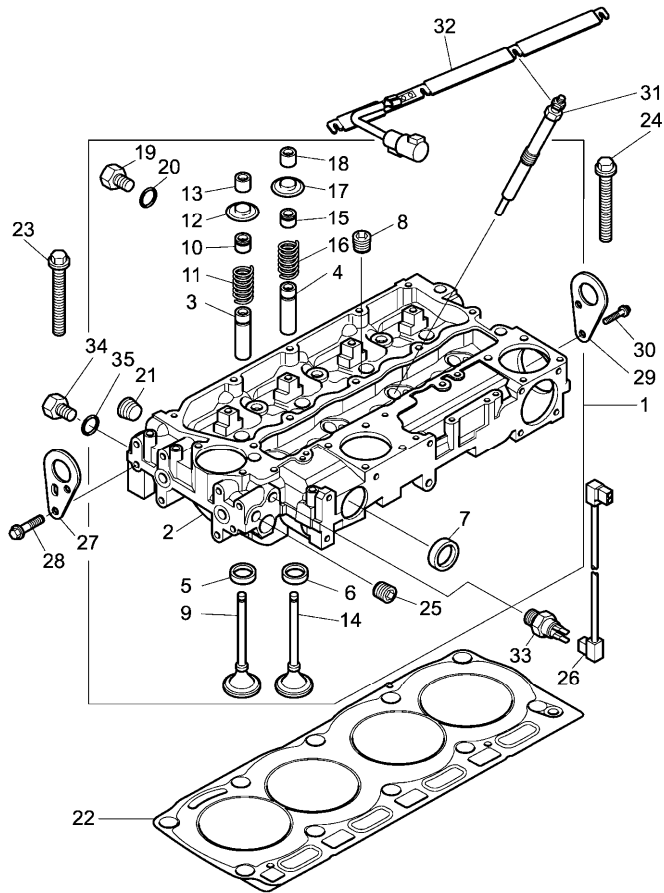
Rex F Foot Step00010998.png

A-05
04



A0504

Cylinder head



			Inglese
11	3174A016	! 1	4 Spring
		T-A 3:0	
12	3342A011	! 1	4 Cover
		T-A 3:0	
13	3142W004	! 1	8 Cotter
		T-A 3:0	
14	3142A151	! 1	4 Valve
		T-A 7:50	
15	2418M514	! 1	4 Ring
		● N.L.S.(4)	
		T-A 3:0	
16	3174A016	! 1	4 Spring
		T-A 3:0	
17	3342A011	! 1	4 Cover
		T-A 3:0	
18	3142W004	! 1	8 Cotter
		T-A 3:0	
19	3278A006	! 1	1 Plug
20	2415H003	! 1	1 Ring
21	2431154	! 1	1 Plug
22	3681E044	✂ 3681e046	1 Gasket
		● N.L.S.(1)	
		T-A 4:0	
22	3681E046	✂ 3681e044	1 Gasket
		● 3681E051(1)	
		T-A 4:0	

Engine

F/XL Tier 2 (2003-2008) - RP51 - F75 F/XL/GE

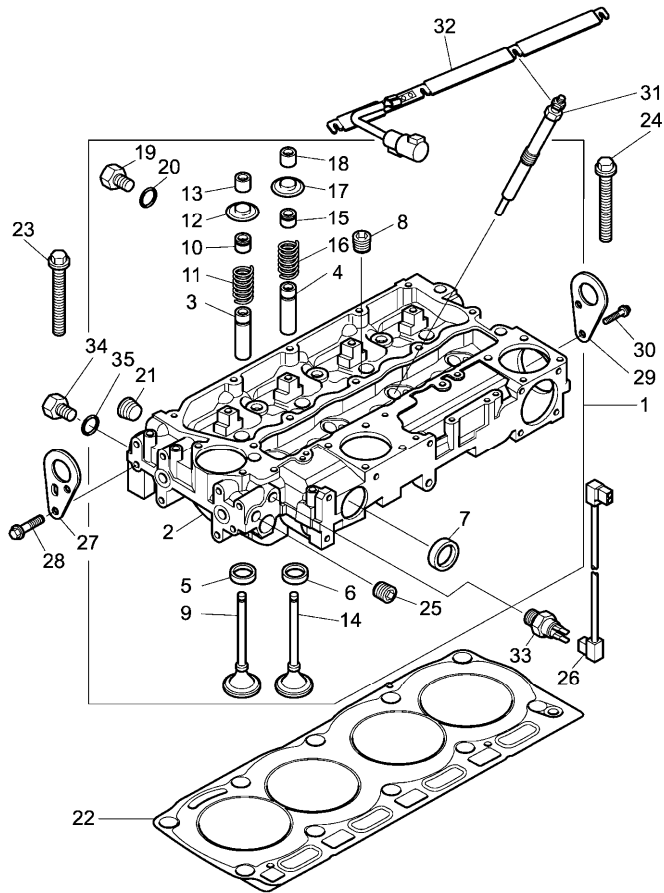
Rex F Foot Step00010998.png

A-05
04



A0504

Cylinder head



- | | | | | |
|----|----------|---------------------------|---|------------|
| 23 | 3218A011 | | 7 | Screw |
| 24 | 3218A012 | | 3 | Screw |
| 25 | 2431154 | | 1 | Plug |
| 26 | 3161C018 | ● 3161C017(1)
T-A 0:25 | 1 | Cable |
| 28 | 2314J002 | | 2 | Screw |
| 29 | 3617A015 | T-A 3:0 | 1 | Stirrup |
| 30 | 2314J002 | | 2 | Screw |
| 31 | 2666A016 | T-A 0:75 | 4 | Spark plug |
| 32 | 3161C015 | ● T409642(1)
T-A 0:75 | 1 | Bar |
| 33 | 2848A127 | T-A 0:25 | 1 | Sensor |
| 34 | 3278A006 | | 1 | Plug |
| 35 | 2415H003 | | 1 | Ring |
- ! This is a component of an assembly
- ✂ Alternative
- 📦 Not serviced, order
- Replacement
- T-A Replacement
- T-B Overhaul

Engine

F/XL Tier 2 (2003-2008) - RP51 - F75 F/XL/GE

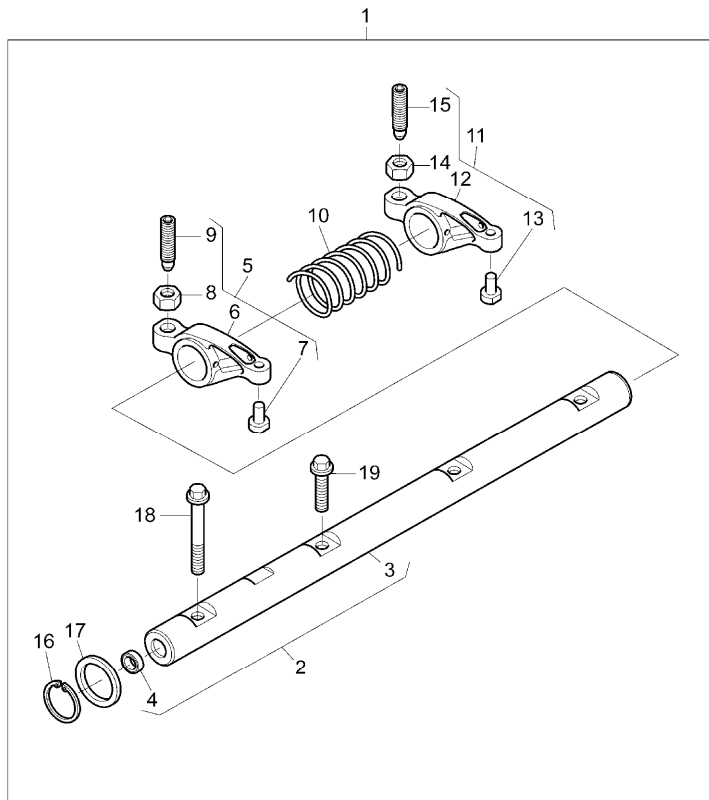
Rex F Foot Step00010999.png

A-05
05



A0505

Rocker shaft



		Inglese	
1	4115R612	T-A 4:0	1 Shaft
2	4115R703	! 1	1 Shaft
		T-A 4:0	
3		! 2	1 Shaft
		➡ 4115r703	
4	2485A104	! 2	2 Plug
		T-A 4:0	
5	4115R314	! 1	3 Rocker
		T-A 4:0	
6		! 5	1 Rocker
		➡ 4115r314	
7		! 5	1 Shim
		➡ 4115r314	
8	0576052	! 5	1 Nut
9	32114145	! 5	1 Screw
10	3174A015	! 1	2 Spring
		T-A 4:0	
11	4115R315	! 1	3 Rocker
		T-A 4:0	
12		! 11	1 Rocker
		➡ 4115r315	
13		! 11	1 Shim
		➡ 4115r315	
14	0576052	! 11	1 Nut
15	32114145	! 11	1 Screw
		T-A 1:25	

Buy Now



Our support email:

ebooklibonline@outlook.com