

Engine

V Series Cab Tier 1 (2000-2003) - RP01 - V65

REX Vigneti CAB\00011842.png


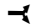
A-05
01



A0501

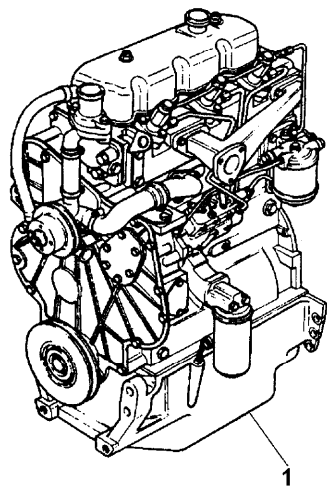
Engine assembly

4-0011-050-A

- 1 3654954M91  Cr-81223
-  Alternative

Inglese

1 Engine



Engine

V Series Cab Tier 1 (2000-2003) - RP01 - V65

Rex V Foot Step\00010582.png

A-05
02



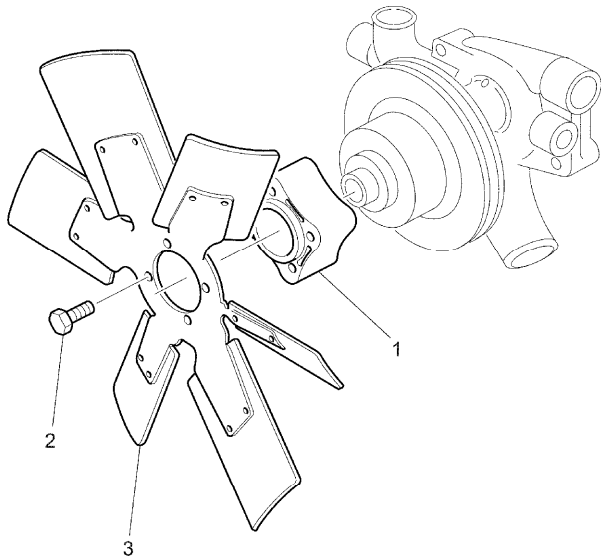
A0502

Fan and extension

- 1 A
- 2 2314H102
- 3 A
- A To be advised

Inglese

- 1 Spacer
- 4 Screw
- 1 Fan



Engine

V Series Cab Tier 1 (2000-2003) - RP01 - V65

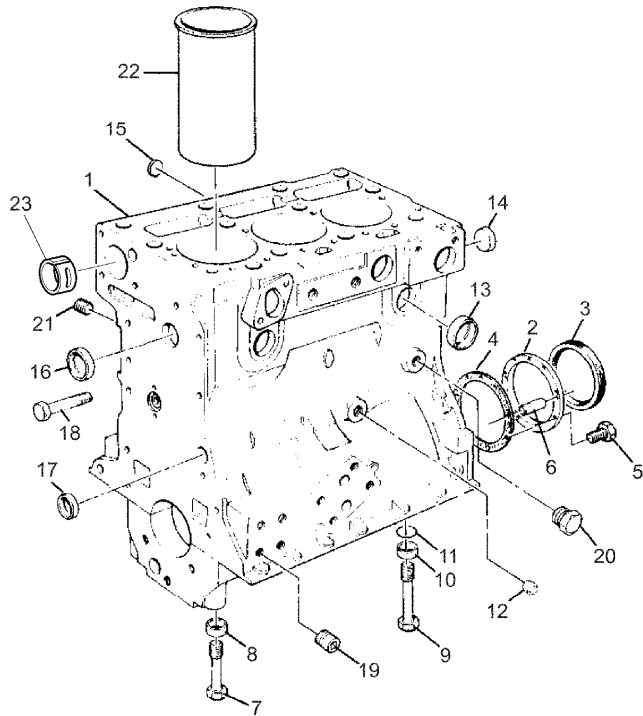
**A-05
03**



A0503

Cylinder block

Rex V Foot Step\00010541.png



		Inglese
1	ZZ50276	1 Kit
2	4142V002	1 Ring
3	2418F475	1 Seal
4	33826115	1 Gasket
5	2314H003	9 Screw
6	0350015	2 Pin
7	32181441	6 Screw
8	33137409	6 Thimble
9	32181442	2 Screw
10	33137409	2 Thimble
11	2415608	2 Ring
12	2431131	1 Plug
	● 0650594(1)	
13	0650710	6 Plug
14	3242R001	1 Plug
15	0650713	2 Plug
16	0650710	1 Plug
17	0650566	2 Plug
18	2314C353	1 Screw
19	3211P002	4 Plug
20	32161114	1 Plug
21	2431131	2 Plug
	● 0650594(2)	
22	3135P001	3 Liner
23	3112E015	1 Bush

Engine

V Series Cab Tier 1 (2000-2003) - RP01 - V65

A-05
03

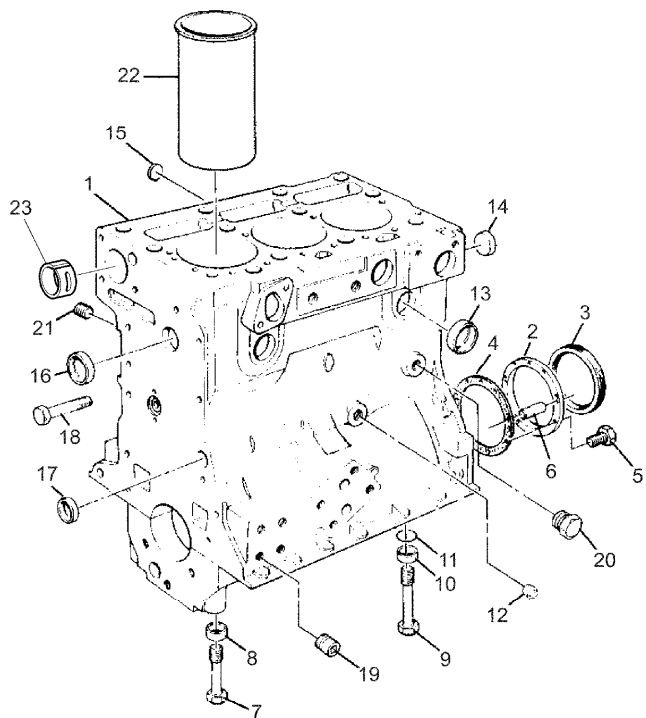


A0503

Cylinder block

Rex V Foot Step00010541.png

- ! This is a component of an assembly
- Replacement



Engine

V Series Cab Tier 1 (2000-2003) - RP01 - V65

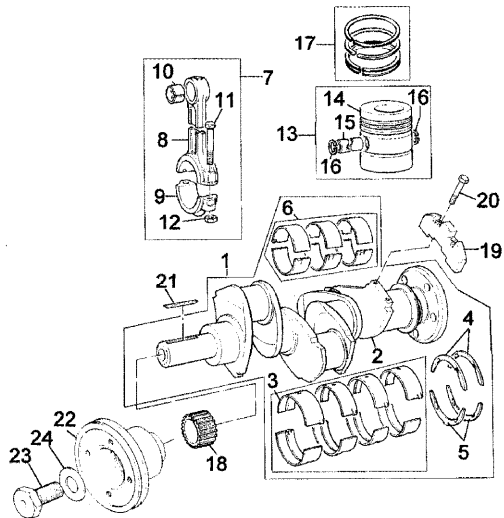
Rex V Foot Step00010647.png

A-05
04



A0504

Crankshaft, pistons and connecting rods



		Inglese
1	ZZ90183	1 Kit
2	▶ Ref.n.1	1 Shaft
	!	1
3	U5MB0014	1 Kit
	● U5MB0035(1)	
	A	
3	U5MB0014A	999 Kit
	✂ (-),0,010"	
	!	1
	● U5MB0035A(999)	
	A	
3	U5MB0014B	999 Kit
	✂ (-),0,020"	
	!	1
	A	
3	U5MB0014C	999 Kit
	✂ (-),0,030"	
	!	1
	A	
4	31137211	2 Washer
	!	1
4	31137212	999 Washer
	✂ (+)0,007"	
	!	1
5	31137221	2 Washer
	!	1
5	31137222	999 Washer
	✂ (+)0,007"	
	!	1
6	U5ME0005	1 Bearing
	!	1
	A	

Engine

V Series Cab Tier 1 (2000-2003) - RP01 - V65

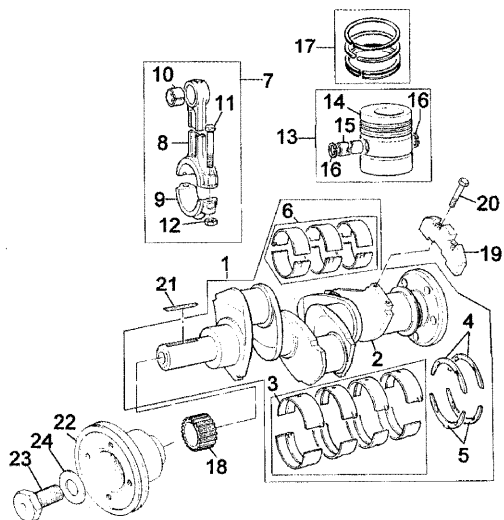
Rex V Foot Step00010647.png

A-05
04



A0504

Crankshaft, pistons and connecting rods



				Inglese
6	U5ME0005A	⌘ (-0,010"	999 Bearing	
		! 1		
		A		
6	U5ME0005B	⌘ (-)0,020"	999 Bearing	
		! 1		
		A		
6	U5ME0005C	⌘ (-)0,030"	999 Bearing	
		! 1		
		A		
7	ZZ90010		3 Conrod	
8		➡ Ref.n.7	1 Conrod	
		! 7		
9		! 7	1 Cap	
10	31134151	! 7	1 Thimble	
11	0095250	! 7	2 Screw	
12	33221327	! 7	2 Nut	
13	U5LH0007	B	3 Kit	
		C		
13	U5LL0029	B	999 Kit	
		C		
		D		
14		➡ Ref.n.13	1 Piston	
		! 13		
15		➡ Ref.n.13	1 Pin	
		! 13		
16	0170001	! 13	2 Ring	

Engine

V Series Cab Tier 1 (2000-2003) - RP01 - V65

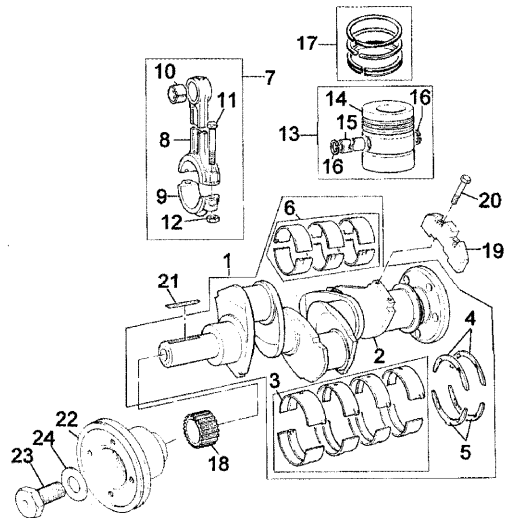
Rex V Foot Step00010647.png

A-05
04



A0504

Crankshaft, pistons and connecting rods



- 17 4181A051
- 18 31163495
- 19 31328242
- 20 2185189
- 21 36271704
- 22 31147788
- 24 3321A004

Inglese

- 3 Kit
- 1 Gear
- 2 Weight
- 4 Screw
- 1 Key
- 1 Pulley
- 1 Washer

- ! This is a component of an assembly
- ▣ Not serviced, order
- ▲ Shim
- Replacement
- A Pre-finished
- B High grade piston
- C See also cylinder block section-liner
- D Low grade piston

Engine

V Series Cab Tier 1 (2000-2003) - RP01 - V65

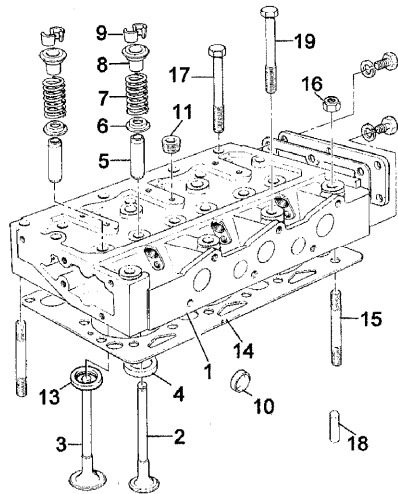
Rex V Foot Step\00010648.png

A-05
05



A0505

Cylinder head



			Inglese
1	ZZ80262		1 Kit
2	3142H042	! 1	3 Valve
3	3142A091	! 1	3 Valve
4	3314A007	! 1	3 Insert
5	U3316A013	! 1	3 Guide
6	2418M508	! 1	6 Ring
7	3174P002	! 1	6 Spring
8	3342T013	! 1	6 Cap
9	3142W003	! 1	12 Cotter
		A	
10	0650692	! 1	2 Plug
11	3241L003	! 1	1 Plug
12	3314A008	! 1	3 Insert
13	U3316A013		6 Guide
14	3681E028		1 Gasket
15	3211X001		2 Stud
16	2318A605		2 Nut
17	3218J602		8 Screw
18	3312K029		2 Dowel
19	3218J603		2 Screw
!	This is a component of an assembly		
A	Serviced in pair		

Engine

V Series Cab Tier 1 (2000-2003) - RP01 - V65

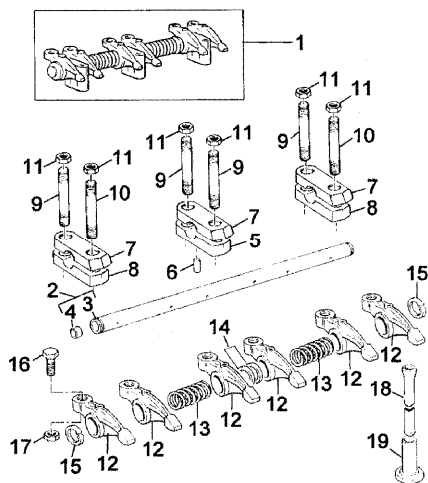
Rex V Foot Step\00010649.png

A-05
06



A0506

Rocker shaft



		Inglese
1	ZZ90163	1 Kit
2	ZZ90162	! 1 Shaft
3		➡ Ref.n.2 Shaft
		! 2
4	0650507	! 2 Plug
5	4141H002	! 1 Support
6	2116031	! 5 Pin
7	3627E021	! 1 Support
8	3627C031	! 1 Support
9	3254T003	! 1 Stud
10	2313T386	2 Stud
11	2318A604	6 Nut
12	3737A152	! 1 Lever
13	3174P801	! 1 Spring
14	33117434	! 1 Lock washer
15	2725132	! 1 Ring
	● 376657X1(2)	
16	3211E002	! 1 Screw
17	2318A308	! 1 Nut
	● 2318A308I(6)	
18	3142V005	6 Rod
19	3142U012	(X) 0.2.4. 6 Tappet

! This is a component of an assembly

➡ Not serviced, order

● Replacement

(X) Qty per tractors sold (aa.bbb.ccc.ddd) (aa) for 1,(bbb) 2-10 (ccc) 11-25 (ddd) 26-50

Engine

V Series Cab Tier 1 (2000-2003) - RP01 - V65

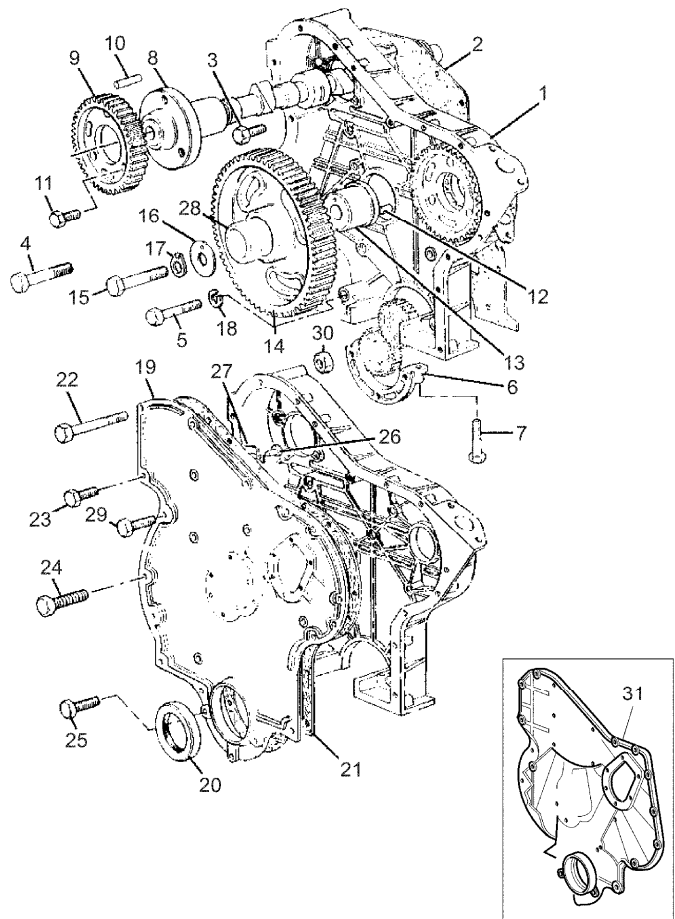
**A-05
07**



A0507

Timing gear and camshaft

Rex V Foot Step\00010584.png



- 1 37161484
- 2 36814161
- 3 2316T051
- 4 2314H008
- 5 2314H003
- 6 37354314
- 7 2314H006
- 8 3141C002
- 9 3117F081
- 10 2116053
- 11 2314H003
- 12 0350005
- 13 0995447
- 14 4111A015
- 15 2314C353
- 16 3241H013
- 17
- 18
- 19 36813158
- 20 2415344
- 21 36813158
- 22 2314K164
- 23 2314F005
- 24 2314H032

D

D

● 3681P026(1)

● 3681P026(1)

Inglese

- 1 Housing
- 1 Gasket
- 3 Screw
- 2 Screw
- 9 Screw
- 1 Cover
- 2 Screw
- 1 Shaft
- 1 Gear
- 1 Pin
- 3 Screw
- 1 Dowel
- 1 Hub
- 1 Gear
- 1 Screw
- 1 Plate
- 1 Lock washer
- 9 Washer
- 1 Cover
- 1 Seal
- 1 Gasket
- 1 Screw
- 9 Screw
- 2 Screw

Engine

V Series Cab Tier 1 (2000-2003) - RP01 - V65

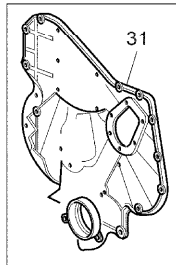
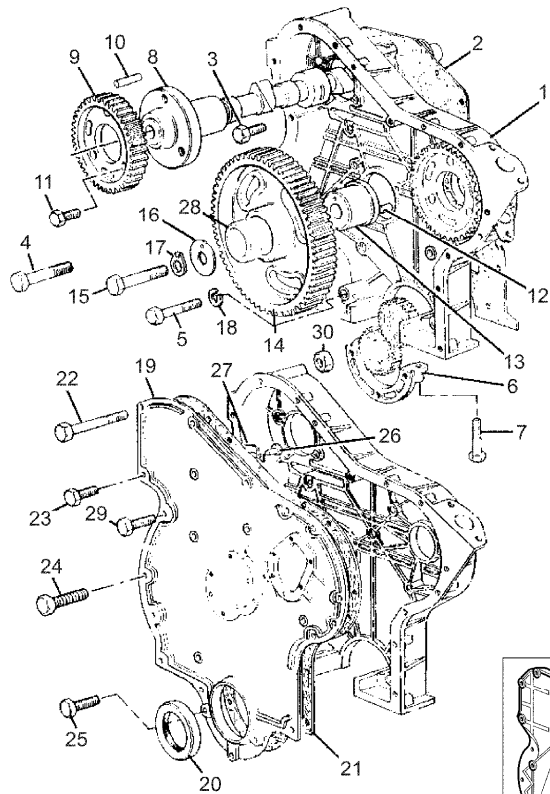
Rex V Foot Step00010584.png

A-05
07



A0507

Timing gear and camshaft



- 25 2314H034
- 26 2122A101
- 27 3661P002
- 28 2511A735 ! 14
- 29 2314H003
- 30 2318A208
- 31 37167795

- ! This is a component of an assembly
- Replacement
- D Not required for this application

Inglese

- 3 Screw
- 1 Rivet
- 1 Spring
- 1 Bush
- 2 Screw
- 1 Nut
- 1 Coperch.

Engine

V Series Cab Tier 1 (2000-2003) - RP01 - V65

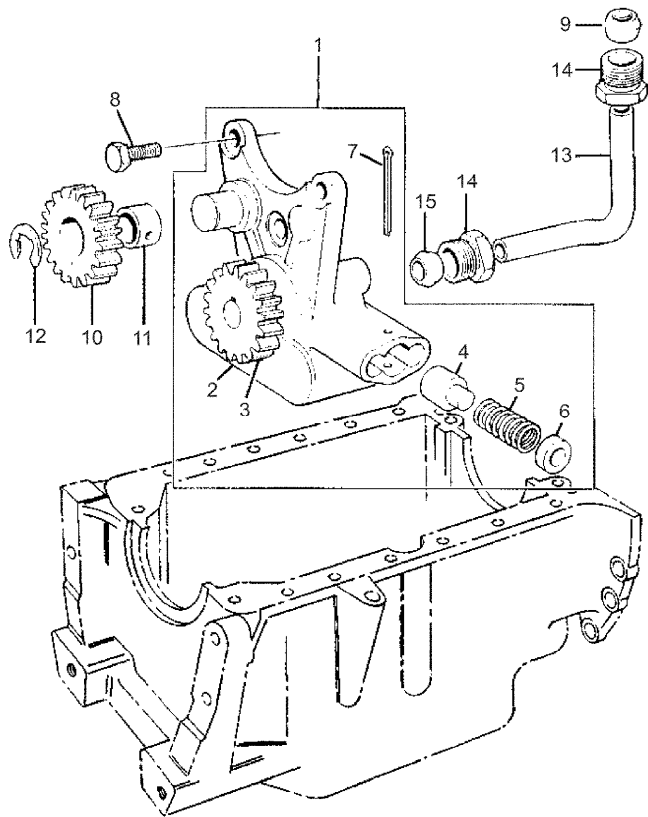
Rex V Foot Step00010542.png

A-05
08



A0508

Lubricating oil pump and delivery housing



1 41314187

2 Ref.n.1

! 1

3 Ref.n.1

! 1

4 32712715 ! 1

5 31742128 ! 1

6 33157122 ! 1

7 0610012 ! 1

8 2316T051

9 0560244

10 41115086

11 0050265 ! 10

12 0180831

13 34711129

14 33532121

! This is a component of an assembly

Not serviced, order

Inglese

1 Pump

1 Body

1 Gear

1 Piston

1 Spring

1 Ring

1 Linch pin

3 Screw

2 Spinner

1 Gear

1 Thimble

1 Ring

1 Pipe

2 Nut

Engine

V Series Cab Tier 1 (2000-2003) - RP01 - V65

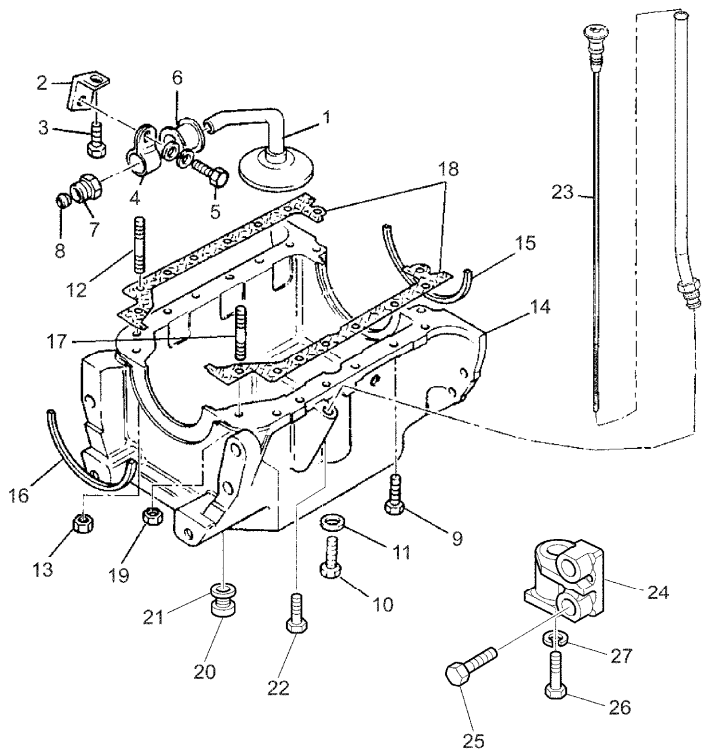
A-05
09



A0509

Lubricating oil pump and delivery housing

Rex V Foot Step00010543.png



- 1 35137623
- 2 38311126
- 3 2314F003
- 4 36631118
- 5 2314F004
- 6 33817308
- 7 33532121
- 8 0560244
- 9 2314H020
- 10 2314H004
- 11 2131A008
- 12 2313F059
- 13 2318A603
- 14 37172485
- 15 3688V002
- 16 3688V003
- 17 2313H227
- 18 21826370
- 19 2318A603
- 20 32186405
- 21 2415715
- 22 2314H008
- 23 3178C068
- 24 3824A062

● 21826356(1)

Inglese

- 1 Pipe
- 1 Support
- 1 Screw
- 1 Clamp
- 1 Screw
- 1 Thimble
- 1 Nut
- 1 Spinner
- 2 Screw
- 10 Screw
- 2 Washer
- 1 Stud
- 1 Nut
- 1 Housing
- 1 Gasket
- 1 Gasket
- 2 Stud
- 1 Gasket
- 2 Nut
- 1 Plug
- 1 Ring
- 8 Screw
- 1 Rod
- 1 Support

Engine

V Series Cab Tier 1 (2000-2003) - RP01 - V65

A-05
09



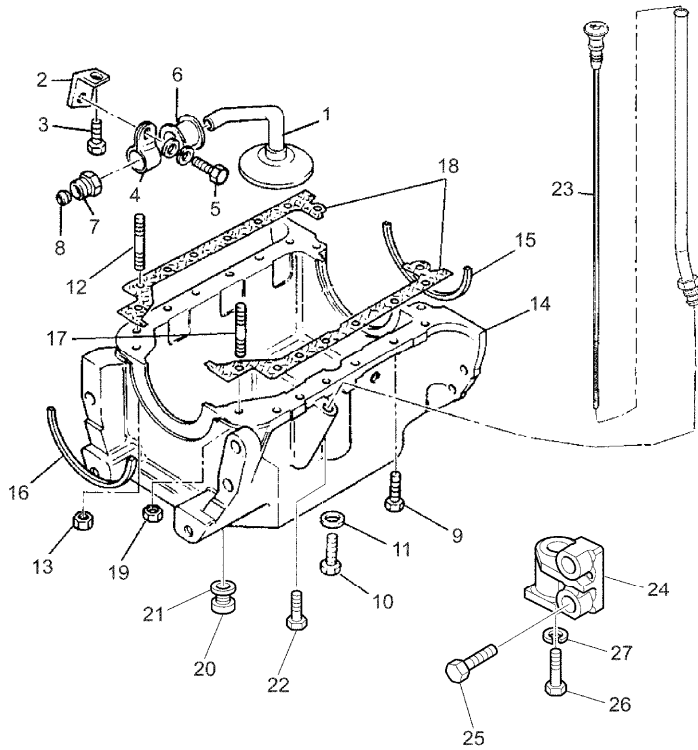
A0509

Lubricating oil pump and delivery housing

Rex V Foot Step00010543.png

Inglese

- 25 2314J605
- 26 2315C122
- 27 2131A016 ● 1441664X1(1)
- Replacement
- 2 Screw
- 1 Screw
- 1 Washer



Buy Now



Our support email:

ebooklibonline@outlook.com