

Engine

GM Series Tier 1 (1998-2003) - RS10 - GM55

Mistral\00012225.png

A-05
01



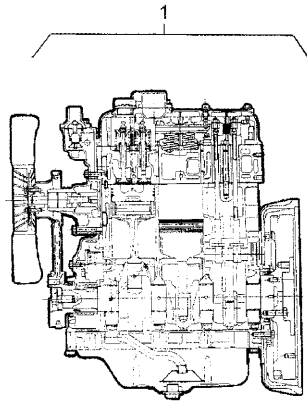
A0501

Engine assembly

Inglese

- 1 3669989M91 A
 - T-A 13:0
 - T-B 31:0
- T-A Replacement
- T-B Overhaul
- A Complete with flywheel

1 Engine



Engine

GM Series Tier 1 (1998-2003) - RS10 - GM55

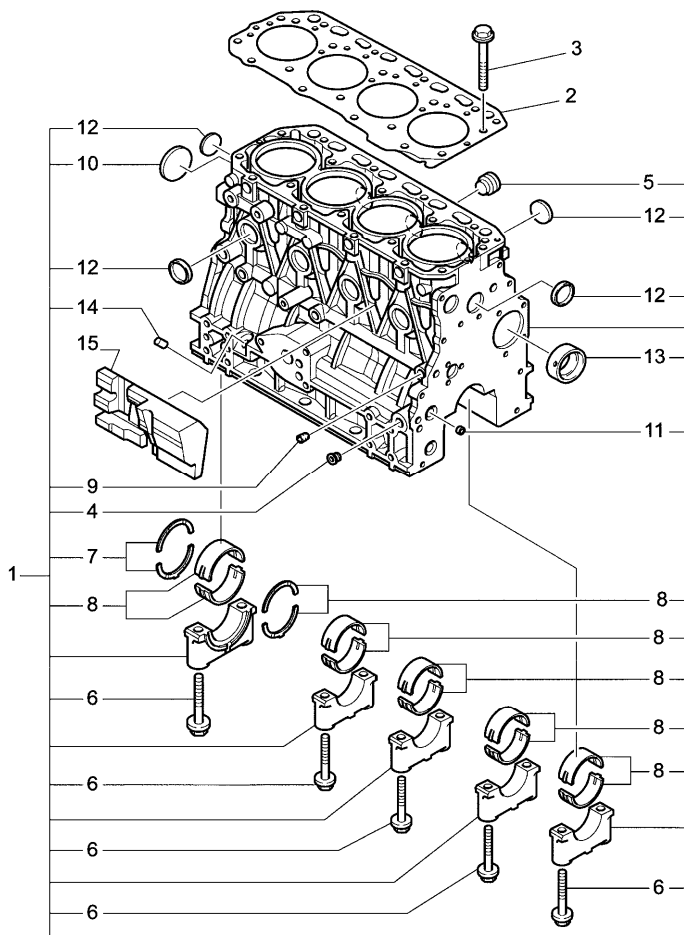
A-05
02



A0502

Cylinder block

Mistral\00012226.png



| | | | | Inglese |
|----|-----------|-----|--------------|----------|
| 1 | 3678319M1 | T-A | 33:0 | 1 Kit |
| 2 | 3693927M1 | (X) | 1.3.6.1 | 1 Gasket |
| | | T-A | 5:50 | |
| 3 | 3653428M1 | | | 18 Stud |
| 4 | 3653316M1 | ! | 1 | 2 Plug |
| | | T-A | 0:25 | |
| 5 | 3653796M1 | ! | 1 | 1 Plug |
| | | T-A | 0:25 | |
| 6 | 3653429M1 | ! | 1 | 10 Bolt |
| 7 | 3653432M1 | ! | 1 | 2 Ring |
| | ● | | 4215968M1(2) | |
| | | T-A | 16:50 | |
| 7 | 3653433M1 | ! | 1 | 1 Ring |
| | ● | | 4215970M1(1) | |
| | | A | | |
| | | T-A | 16:50 | |
| 8 | 3653336M1 | ! | 1 | 5 Kit |
| | ● | | 4215967M1(5) | |
| | | T-A | 16:50 | |
| 8 | 3653431M1 | ! | 1 | 5 Ring |
| | ● | | 3653431M2(5) | |
| | | B | | |
| | | T-A | 16:50 | |
| 9 | 3678007M1 | ! | 1 | 1 Plug |
| 10 | 3664445M1 | ! | 1 | 1 Plug |
| 11 | 3653888M1 | ! | 1 | 2 Plug |

Engine

GM Series Tier 1 (1998-2003) - RS10 - GM55

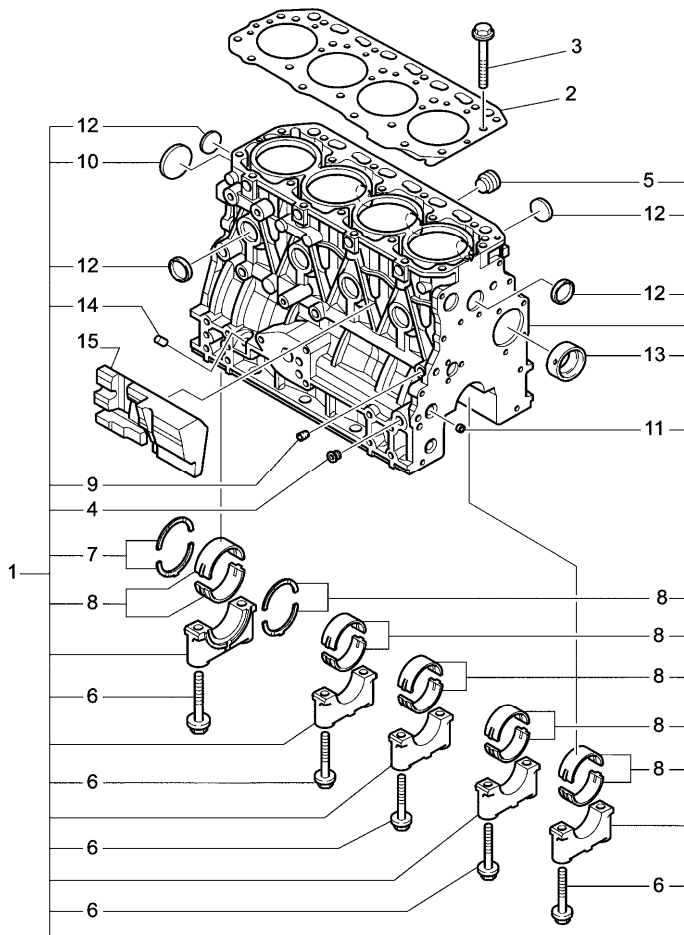
A-05
02



A0502

Cylinder block

Mistral\00012226.png



Inglese

| | | | | | |
|----|-----------|--|--------------|---|---------|
| 12 | 3653889M1 | ! | 1 | 8 | Plug |
| | | ● | 3653889M2(8) | | |
| | | T-A | 0:75 | | |
| 13 | 3653791M1 | ! | 1 | 1 | Bearing |
| | | T-A | 31:0 | | |
| 14 | 3677943M1 | ! | 1 | 1 | Plug |
| 15 | 3678014M1 | | | 1 | Spacer |
| | ! | This is a component of an assembly | | | |
| | ● | Replacement | | | |
| | (X) | Qty per tractors sold (aa.bbb.ccc.ddd) (aa) for 1,(bbb) 2-10 (ccc) 11-25 (ddd) 26-50 | | | |
| | T-A | Replacement | | | |
| | A | Over-size (0,25mm) part. | | | |
| | B | Under-size (0,25mm) part. | | | |

Engine

GM Series Tier 1 (1998-2003) - RS10 - GM55

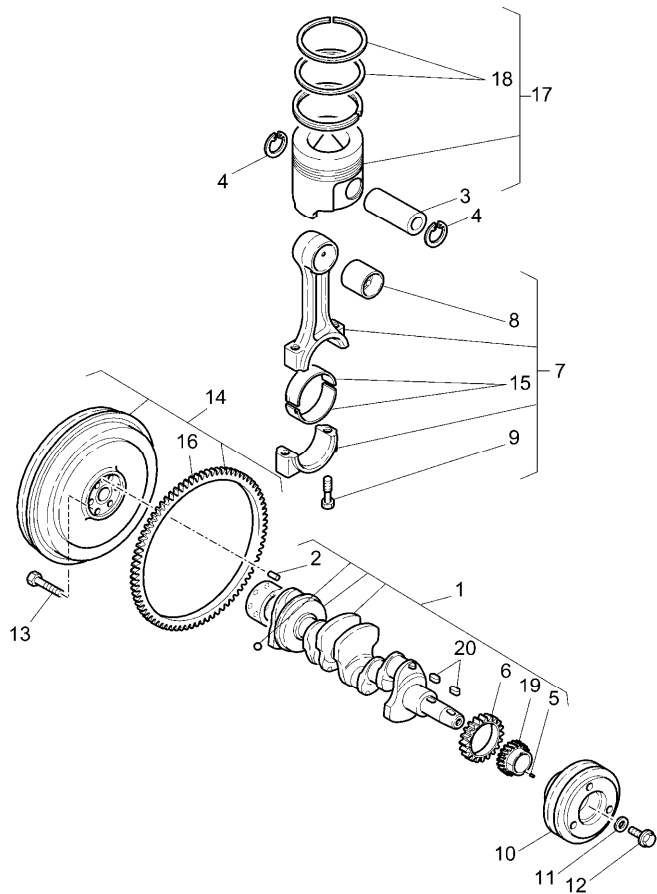
Mistral\00012227.png

**A-05
03**



A0503

Crankshaft, pistons and connecting rods



| | | Inglese | |
|----|-----------|---|------------|
| 1 | 3678286M1 | ● 3678286M2(1) T-A 16:50 T-B 18:50 | 1 Shaft |
| 2 | 3653378M1 | ! 1 | 1 Dowel |
| 3 | 3653731M1 | T-A 17:50 | 4 Cotter |
| 4 | 3653815M1 | | 8 Clip |
| 5 | 3653308M1 | ! 1 | 1 Dowel |
| 6 | 3664468M1 | ! 1 T-A 20:0 | 1 Gear |
| 7 | 3653897M1 | T-A 17:50 T-B 18:0 | 4 Conrod |
| 8 | 3653383M1 | ! 7 T-A 17:50 | 4 Bearing |
| 9 | 3653307M1 | ! 7 | 8 Bolt |
| 10 | 3653763M1 | ● 4216750M1(1), 6510420M1(1) T-A 20:0 | 1 Pulley |
| 11 | 3653794M1 | | 1 Washer |
| 12 | 3653309M1 | | 1 Bolt |
| 13 | 3653301M1 | | 6 Bolt |
| 14 | 3653762M1 | T-A 10:50 | 1 Flywheel |
| 15 | 3653450M1 | ! 7 ● 4216034M1(4) T-A 17:50 | 4 Bearing |

Engine

GM Series Tier 1 (1998-2003) - RS10 - GM55

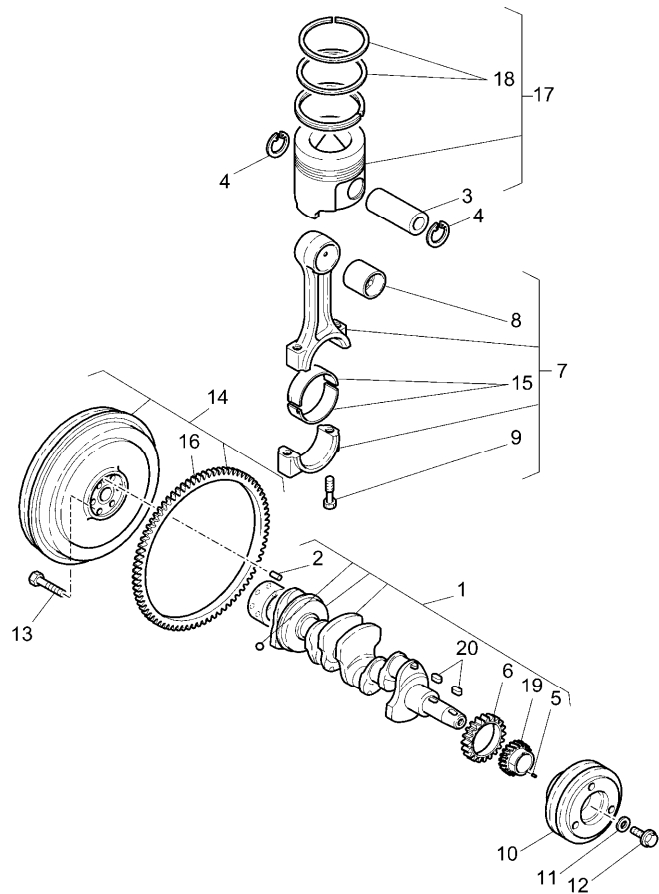
Mistral\00012227.png

**A-05
03**



A0503

Crankshaft, pistons and connecting rods



Inglese

| | | | | | |
|----|-----------|-----|--------------|---|------------|
| 15 | 3653451M1 | ! | 7 | 4 | Bearing |
| | | | B | | |
| | | | T-A 17:50 | | |
| 16 | 3653297M1 | ! | 14 | 1 | Crownwheel |
| | | | T-A 10:50 | | |
| 17 | 3678265M1 | T-A | 17:50 | 4 | Piston |
| 17 | 3678266M1 | B | | 4 | Piston |
| | | | T-A 17:50 | | |
| 18 | 3678015M1 | ! | 17 | 4 | Kit |
| | | (X) | 1.3.6.1 | | |
| | | | T-A 17:50 | | |
| 18 | 3678016M1 | ! | 17 | 4 | Kit |
| | | A | | | |
| | | | T-A 17:50 | | |
| 19 | 3677974M1 | ! | 1 | 1 | Gear |
| | | ● | 4206674M1(1) | | |
| | | | T-A 20:0 | | |
| 20 | 3653820M1 | ! | 1 | 2 | Key |
| | | | T-A 20:0 | | |

! This is a component of an assembly

● Replacement

(X) Qty per tractors sold (aa.bbb.ccc.ddd) (aa) for 1,(bbb) 2-10 (ccc) 11-25 (ddd) 26-50

T-A Replacement

T-B Overhaul

A Over-size (0,25mm) part.

B Under-size (0,25mm) part.

Engine

GM Series Tier 1 (1998-2003) - RS10 - GM55

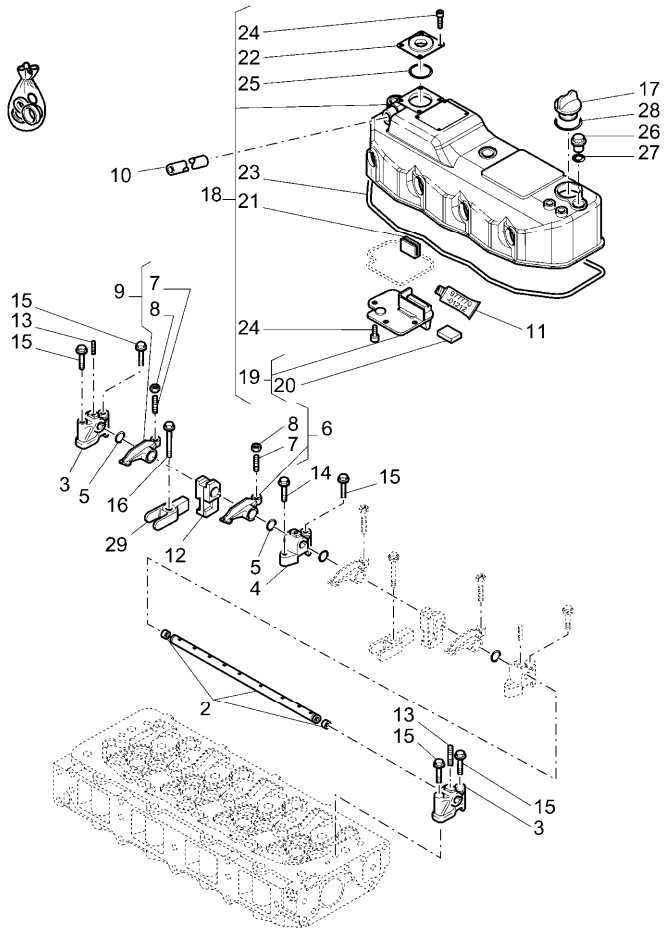
Mistral\00012228.png

A-05
04



A0504

Cylinder head-rocker shaft



| | | | Inglese |
|----|-----------|----------------|-----------|
| 1 | 3678242M1 | | 1 Shaft |
| 2 | 3678243M1 | ! 1 | 1 Shaft |
| | | T-A 3:0 | |
| 3 | 3678244M1 | ! 1 | 2 Support |
| 4 | 3678245M1 | ! 1 | 3 Support |
| | | T-A 2:0 | |
| 5 | 3678246M1 | ! 1 | 8 Washer |
| 6 | 3678249M1 | ! 1 | 4 Arm |
| | | T-A 2:0 | |
| 7 | 3653439M1 | ! 1 | 8 Screw |
| 8 | 3653444M1 | ! 1 | 8 Nut |
| | | T-A 0:25 | |
| 9 | 3678250M1 | ! 1 | 4 Arm |
| | | T-A 2:0 | |
| 10 | 3653437M1 | T-A 0:25 | 1 Pipe |
| 11 | 3653908M1 | ● 3653908M2(1) | 1 Gasket |
| 12 | 3678258M1 | ! 1 | 4 Union |
| | | T-C 2:0 | |
| 13 | 3678314M1 | ! 1 | 3 Stud |
| | | M8x35 | |
| 14 | 3653860M1 | M8x25 | 3 Bolt |
| 15 | 3653864M1 | M8x50 | 7 Bolt |
| 16 | 3678296M1 | | 4 Bolt |
| 17 | 3653315M1 | T-A 0:25 | 1 Plug |

Engine

GM Series Tier 1 (1998-2003) - RS10 - GM55

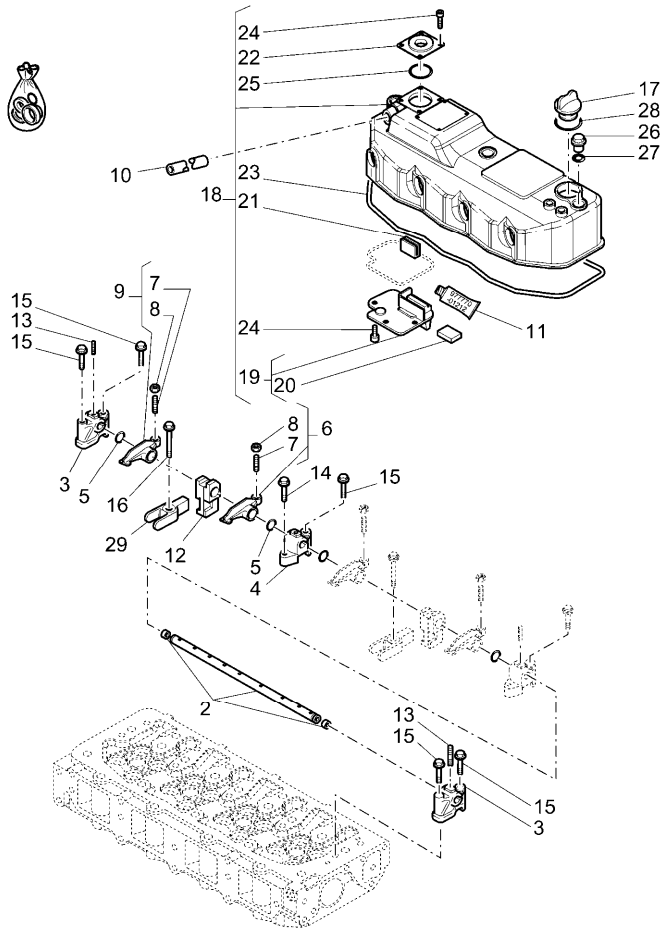
Mistral\00012228.png

A-05
04



A0504

Cylinder head-rocker shaft



| | | | | Inglese |
|--|-----------|-------------|----|------------|
| 18 | 3678248M1 | T-A 1:50 | | 1 Coperch. |
| | | T-B 1:25 | | |
| 19 | 3678047M1 | ! | 18 | 1 Disc |
| 20 | 3677970M1 | ! | 18 | 1 Control |
| 21 | 3653435M1 | ! | 18 | 1 Guard |
| 22 | 3678025M1 | ! | 18 | 1 Cover |
| | | T-A 0:25 | | |
| 23 | 3678247M1 | ! | 18 | 1 Gasket |
| | | (X) 1.3.6.1 | | |
| | | T-A 1:50 | | |
| 24 | 3665010M1 | ! | 18 | 8 Screw |
| | | M5x10 | | |
| 25 | 3678312M1 | ! | 18 | 1 Ring |
| | | T-A 0:25 | | |
| 26 | 3653317M1 | T-A 0:25 | | 3 Plug |
| 27 | 3653831M1 | T-A 0:25 | | 3 O ring |
| 28 | 3653835M1 | T-A 0:25 | | 1 O ring |
| 29 | 3678257M1 | T-C 2:0 | | 4 Clip |
| ! This is a component of an assembly | | | | |
| ● Replacement | | | | |
| (X) Qty per tractors sold (aa.bbb.ccc.ddd) (aa) for 1,(bbb) 2-10 (ccc) 11-25 (ddd) 26-50 | | | | |
| T-A Replacement | | | | |
| T-B Overhaul | | | | |
| T-C Setting | | | | |

Engine

GM Series Tier 1 (1998-2003) - RS10 - GM55

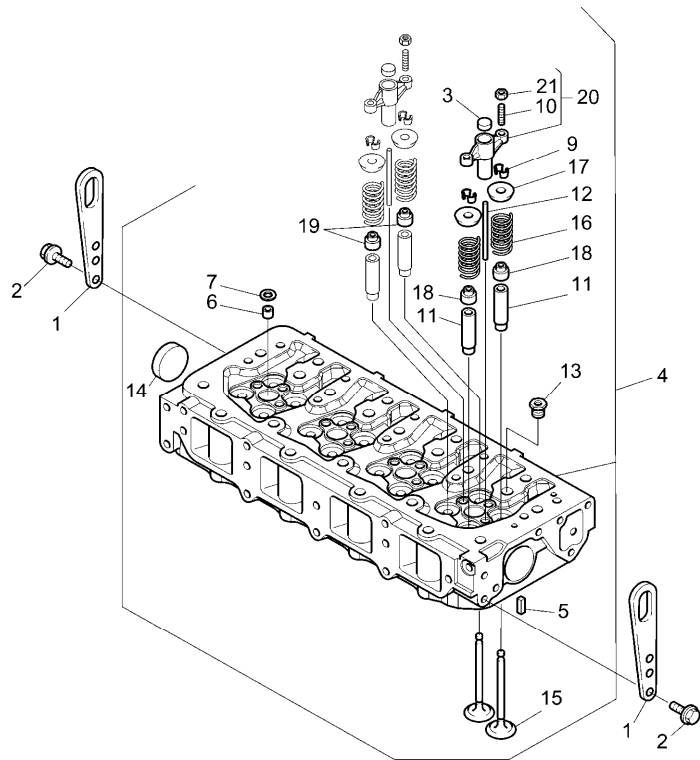
Mistral\00012229.png

A-05
05



A0505

Cylinder head-rocker shaft



Inglese

| | | | | | |
|----|-----------|-----|-------|----|---------------|
| 1 | 3664580M1 | T-A | 0:25 | 2 | Cam |
| 2 | 3653857M1 | | M8x14 | 4 | Bolt |
| 3 | 3678256M1 | | | 8 | Plug |
| 4 | 3678251M1 | T-B | 8:0 | 1 | Cylinder head |
| 5 | 3653818M1 | | | 2 | Pin |
| 6 | 3677971M1 | T-A | 7:75 | 4 | Guard |
| 7 | 3653266M1 | | | 4 | Washer |
| 8 | 3685204M1 | ! | 4 | 8 | Valve |
| 9 | 3677965M1 | ! | 4 | 32 | Dowel |
| 10 | 3678003M1 | T-A | 7:75 | 8 | Screw |
| 11 | 3677967M1 | ! | 4 | 16 | Guide |
| 12 | 3678255M1 | T-A | 8:75 | 8 | Guide |
| 13 | 3678308M1 | ! | 4 | 4 | Plug |
| 14 | 3653890M1 | ! | 4 | 2 | Plug |
| 15 | 3678049M1 | ! | 4 | 8 | Valve |
| 16 | 3678239M1 | T-A | 7:75 | 16 | Spring |
| 17 | 3678241M1 | ! | 4 | 16 | Clip |
| 18 | 3677966M1 | T-A | 7:75 | 8 | Ring |
| 19 | 3677968M1 | ! | 4 | 8 | Ring |

Engine

GM Series Tier 1 (1998-2003) - RS10 - GM55

Mistral\00012229.png

A-05
05



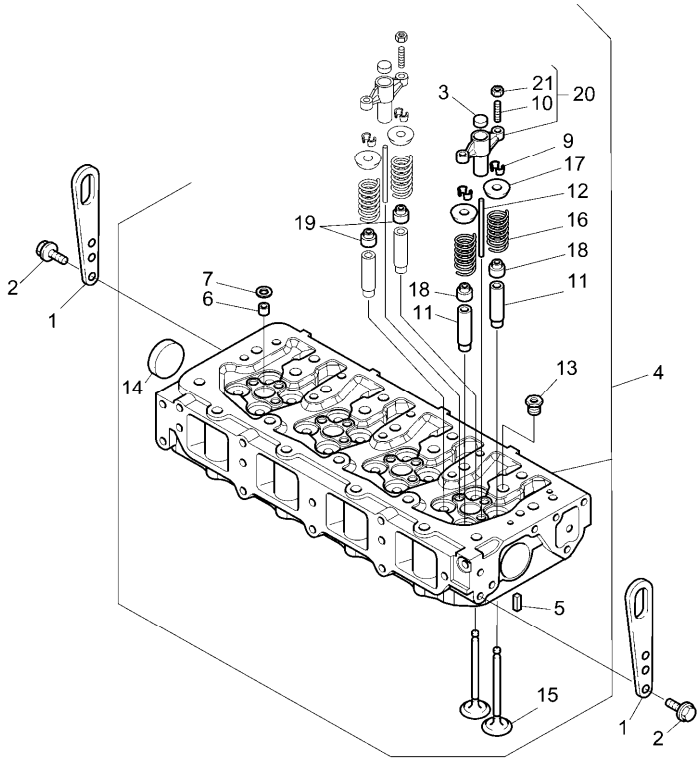
A0505

Cylinder head-rocker shaft

Inglese

- 20 3678254M1 ! 4 8 Kit
 - T-A 7:75
- 21 3653444M1 ! 4 8 Nut
 - T-A 0:25

! This is a component of an assembly
 T-A Replacement
 T-B Overhaul



Engine

GM Series Tier 1 (1998-2003) - RS10 - GM55

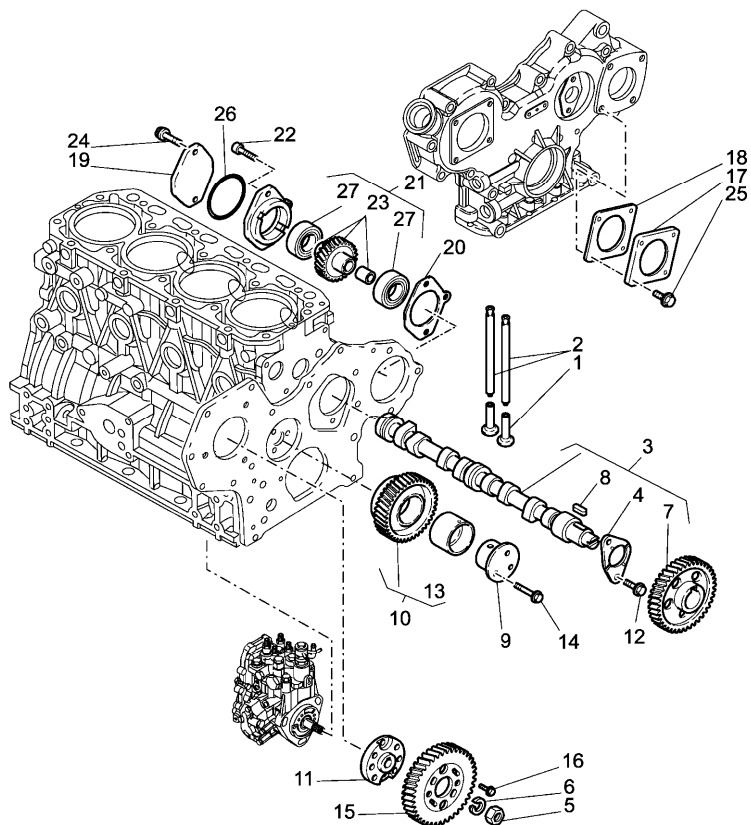
A-05
06



A0506

Timing gear and camshaft

Mistral\00012230.png



| | | | | Inglese |
|----|-----------|----------|--|------------|
| 1 | 3653447M1 | T-A 2:75 | | 8 Tappet |
| 2 | 3653448M1 | T-A 2:75 | | 8 Rod |
| 3 | 3678261M1 | T-A 31:0 | | 1 Shaft |
| 4 | 3653430M1 | ! 3 | | 1 Plate |
| | | T-A 31:0 | | |
| 5 | 3678315M1 | | | 1 Nut |
| 6 | 3678300M1 | | | 1 Spring |
| 7 | 3653446M1 | ! 3 | | 1 Gear |
| 8 | 3653820M1 | ! 3 | | 1 Key |
| | | T-A 31:0 | | |
| 9 | 3677975M1 | T-A 9:50 | | 1 Shaft |
| 10 | 3677977M1 | T-A 9:50 | | 1 Gear |
| 11 | 3678298M1 | | | 1 Flange |
| 12 | 3653857M1 | M8x14 | | 2 Bolt |
| 13 | 3677976M1 | ! 10 | | 1 Bush |
| | | T-A 9:50 | | |
| 14 | 3653862M1 | M8x40 | | 3 Bolt |
| 15 | 3677978M1 | T-A 9:25 | | 1 Gear |
| 16 | 3664454M1 | | | 4 Screw |
| 17 | 3653320M1 | T-A 0:50 | | 1 Coperch. |
| 18 | 3653321M1 | T-A 0:50 | | 1 Gasket |
| 19 | 3653300M1 | T-A 0:50 | | 1 Coperch. |
| 20 | 3653800M1 | T-A 1:0 | | 1 Gasket |
| 21 | 3653363M1 | T-A 1:0 | | 1 Kit |
| 22 | 3653879M1 | M8x28 | | 1 Bolt |

Engine

GM Series Tier 1 (1998-2003) - RS10 - GM55

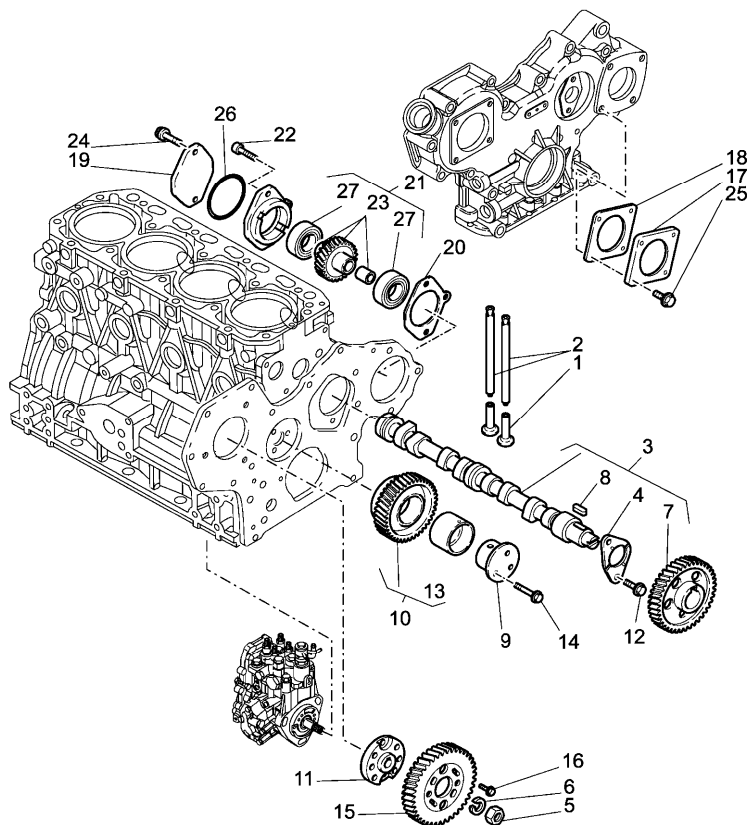
A-05
06



A0506

Timing gear and camshaft

Mistral\00012230.png



| | | Inglese | | |
|----|-----------|---------|---------|------------|
| 23 | 3653364M1 | ! | 21 | 1 Gear |
| | | T-A | 1:50 | |
| 24 | 3653869M1 | | M10x45 | 2 Bolt |
| 25 | 3653858M1 | | M8x16 | 4 Bolt |
| 26 | 3653839M1 | T-A | 0:50 | 1 O ring |
| 27 | 3653830M1 | ! | 21 | 2 Cuscinet |
| | | (X) | 1.3.5.1 | |
| | | T-A | 1:50 | |

! This is a component of an assembly
(X) Qty per tractors sold (aa.bbb.ccc.ddd) (aa) for 1,(bbb) 2-10 (ccc) 11-25 (ddd) 26-50
T-A Replacement

Engine

GM Series Tier 1 (1998-2003) - RS10 - GM55

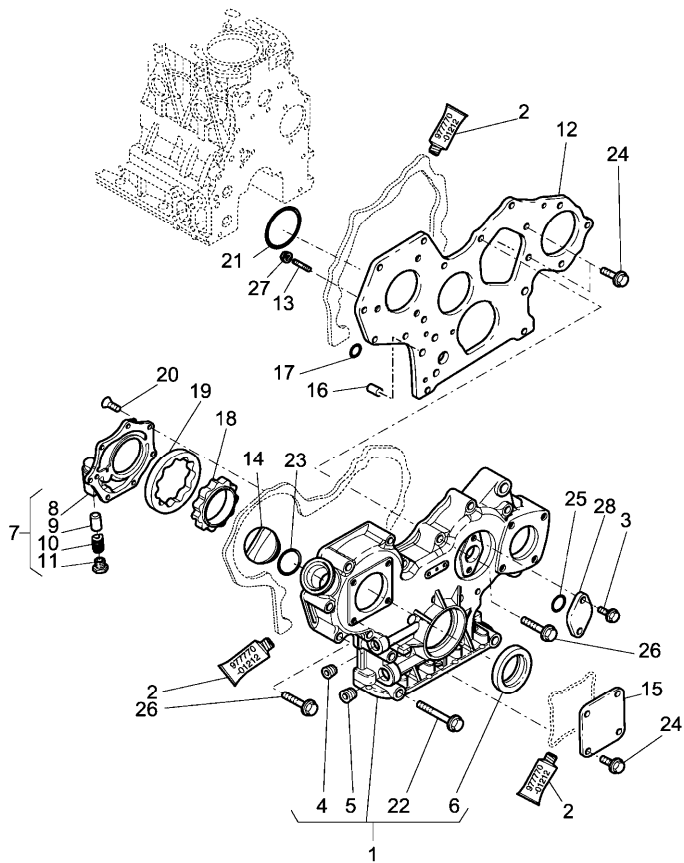
Mistral\00012231.png

A-05
07



A0507

Distributor cover



| | | | | Inglese |
|----|-----------|----------------|--|----------|
| 1 | 3678317M1 | T-A 4:75 | | 1 Cover |
| 2 | 3653908M1 | ● 3653908M2(1) | | 1 Gasket |
| 3 | 3653853M1 | M6x16 | | 2 Bolt |
| 4 | 3665018M1 | ! 1 | | 1 Plug |
| | | T-A 0:50 | | |
| 5 | 3678309M1 | ! 1 | | 1 Plug |
| | | T-A 0:50 | | |
| 6 | 3653788M1 | ! 1 | | 1 Seal |
| | | 72x55x9 | | |
| | | (X) 1.3.5.1 | | |
| 7 | 3677980M1 | | | 1 Cover |
| 8 | 3677979M1 | ! 7 | | 1 Cover |
| 9 | 3678295M1 | ! 7 | | 1 Valve |
| 10 | 3678043M1 | ! 7 | | 1 Spring |
| 11 | 3678013M1 | ! 7 | | 1 Plug |
| 12 | 3678023M1 | (X) 1.3.5.1 | | 1 Flange |
| | | T-A 4:75 | | |
| 13 | 3677969M1 | M8x25 | | 3 Stud |
| 14 | 3653315M1 | T-A 0:25 | | 1 Plug |
| 15 | 3653320M1 | T-A 0:50 | | 1 Cover |
| 16 | 3653789M1 | | | 2 Bush |
| 17 | 3677944M1 | | | 4 Ring |
| 18 | 3678267M1 | | | 1 Rotor |
| 19 | 3678268M1 | | | 1 Rotor |
| 20 | 3677981M1 | M6x16 | | 7 Screw |

Engine

GM Series Tier 1 (1998-2003) - RS10 - GM55

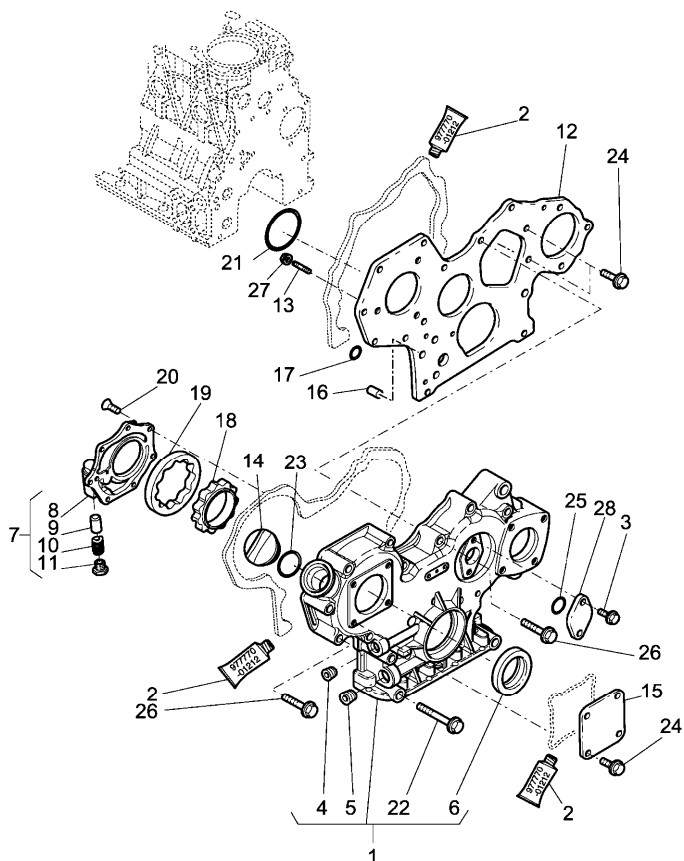
A-05
07



A0507

Distributor cover

Mistral\00012231.png



Inglese

| | | | | | |
|----|-----------|-----|-------|----|----------|
| 21 | 3653310M1 | T-A | 4:75 | 1 | O ring |
| 22 | 3664450M1 | | M8x85 | 3 | Bolt |
| 23 | 3653835M1 | T-A | 0:25 | 1 | O ring |
| 24 | 3653858M1 | | M8x16 | 7 | Bolt |
| 25 | 3653841M1 | T-A | 0:25 | 1 | O ring |
| 26 | 3653865M1 | | M8x55 | 11 | Bolt |
| 27 | 3666905M1 | | | 3 | Nut |
| 28 | 3653299M1 | T-A | 0:25 | 1 | Coperch. |

! This is a component of an assembly

● Replacement

(X) Qty per tractors sold (aa.bbb.ccc.ddd) (aa) for 1,(bbb) 2-10 (ccc) 11-25 (ddd) 26-50

T-A Replacement

Engine

GM Series Tier 1 (1998-2003) - RS10 - GM55

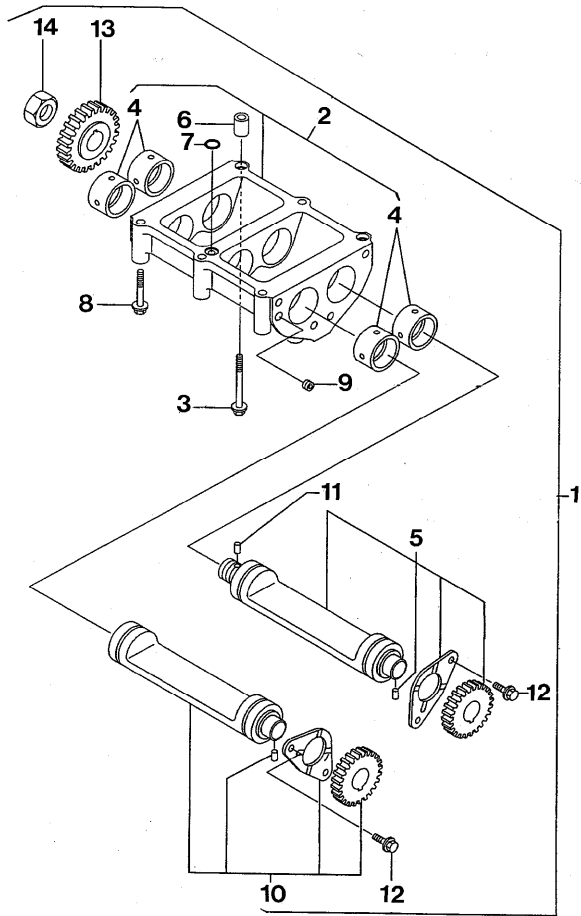
Mistral\00001366.png

A-05
08



A0508

Balancer unit



| | | | Inglese |
|----|-----------|---------|-----------|
| 1 | 3653746M1 | T-A 2:0 | 1 Housing |
| | | T-B 4:0 | |
| 2 | 3664476M1 | ! 1 | 1 Housing |
| | | T-A 4:0 | |
| 3 | 3653868M1 | ! 2 | 2 Bolt |
| | | M8x80 | |
| 4 | 3653743M1 | ! 2 | 4 Bush |
| | | T-A 4:0 | |
| 5 | 3653905M1 | ! 1 | 1 Kit |
| | | T-A 4:0 | |
| 6 | 3653790M1 | ! 2 | 2 Bush |
| | | T-A 4:0 | |
| 7 | 3653832M1 | ! 2 | 1 O ring |
| | | T-A 4:0 | |
| 8 | 3653866M1 | ! 2 | 4 Bolt |
| | | M8x60 | |
| 9 | 3653827M1 | ! 2 | 1 Plug |
| 10 | 3653906M1 | ! 1 | 1 Kit |
| | | T-A 4:0 | |
| 11 | 3653308M1 | ! 1 | 1 Dowel |
| 12 | 3653857M1 | ! 1 | 4 Bolt |
| | | M8x14 | |
| 13 | 3653739M1 | ! 1 | 1 Gear |
| | | T-A 4:0 | |
| 14 | 3653334M1 | ! 1 | 1 Nut |

! This is a component of an assembly

Buy Now



Our support email:

ebooklibonline@outlook.com