

Engine

T Series Tier 2 (2003-2007) - CP01 - T 75 F-M

Trekker New Tier2\00001553.png

A-05
01

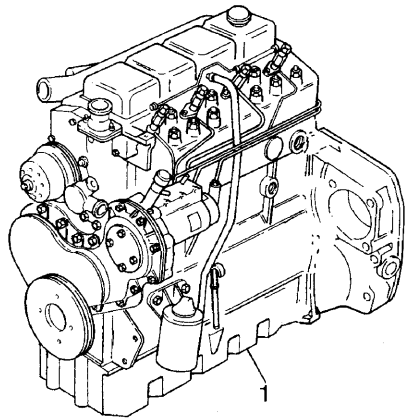


A0501

Engine assembly - atmospheric

1 3674734M91

Inglese
1 Engine



Engine

T Series Tier 2 (2003-2007) - CP01 - T 75 F-M

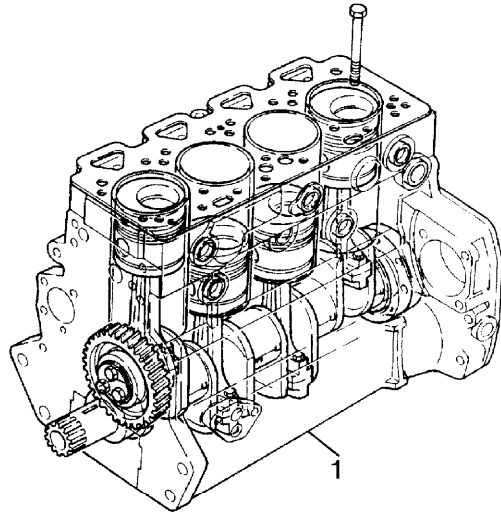
Trekker New Tier2\0000005E.png

A-05
015









A05015

Short engine



Inglese

- 1 RE40002  U491476 t 1 Short engine
-  3115A141(1),
32186146(3), RE4
- T-A 8:0
- T-B 37:0
- 1 RE40021  U491477 t 1 Short engine

-  From serial or engine number
-  Up to serial or engine number
-  Replacement
- T-A Replacement
- T-B Overhaul

Engine

T Series Tier 2 (2003-2007) - CP01 - T 75 F-M

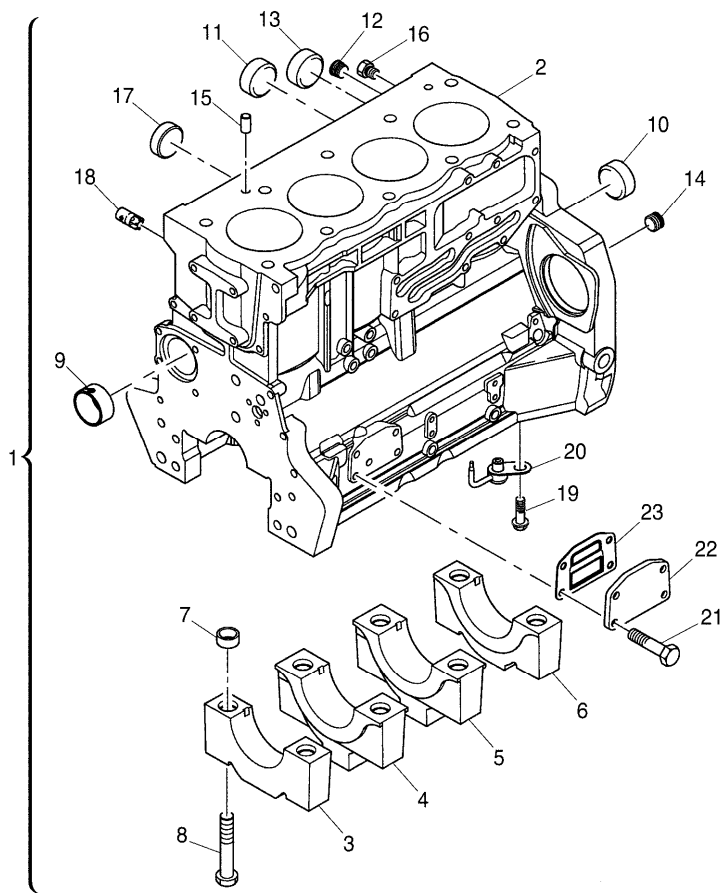
A-05
02



A0502

Cylinder block

Trekker New Tier2\000020523.png



| | | | Inglese |
|----|----------|---------------|-----------|
| 1 | ZZ50312 | ● ZZ50325(1) | 1 Kit |
| | | T-A 31:0 | |
| 2 | | ! 1 | 1 Kit |
| | | ➤ Ref.n.1 | |
| 3 | | ! 1 | 1 Bearing |
| | | ➤ Ref.n.1 | |
| 4 | | ! 1 | 2 Bearing |
| | | ➤ Ref.n.1 | |
| 5 | | ! 1 | 1 Bearing |
| | | ➤ Ref.n.1 | |
| 6 | | ! 1 | 1 Bearing |
| | | ➤ Ref.n.1 | |
| 7 | | ! 1 | 10 Sleeve |
| | | ➤ Ref.n.1 | |
| 8 | 32166329 | ! 1 | 10 Screw |
| 9 | 3112D071 | ! 1 | 1 Bush |
| | | ● 3112D075(1) | |
| 10 | 3241A012 | ! 1 | 1 Plug |
| 11 | 3241A011 | ! 1 | 2 Plug |
| 12 | 0650588 | ! 1 | 1 Plug |
| 13 | 0650710 | ! 1 | 1 Plug |
| 14 | 3212P008 | ! 1 | 1 Plug |
| 15 | 3244A009 | ! 1 | 2 Dowel |
| 16 | 32141316 | ! 1 | 2 Plug |
| 17 | 2485A108 | ! 1 | 1 Plug |

Engine

T Series Tier 2 (2003-2007) - CP01 - T 75 F-M

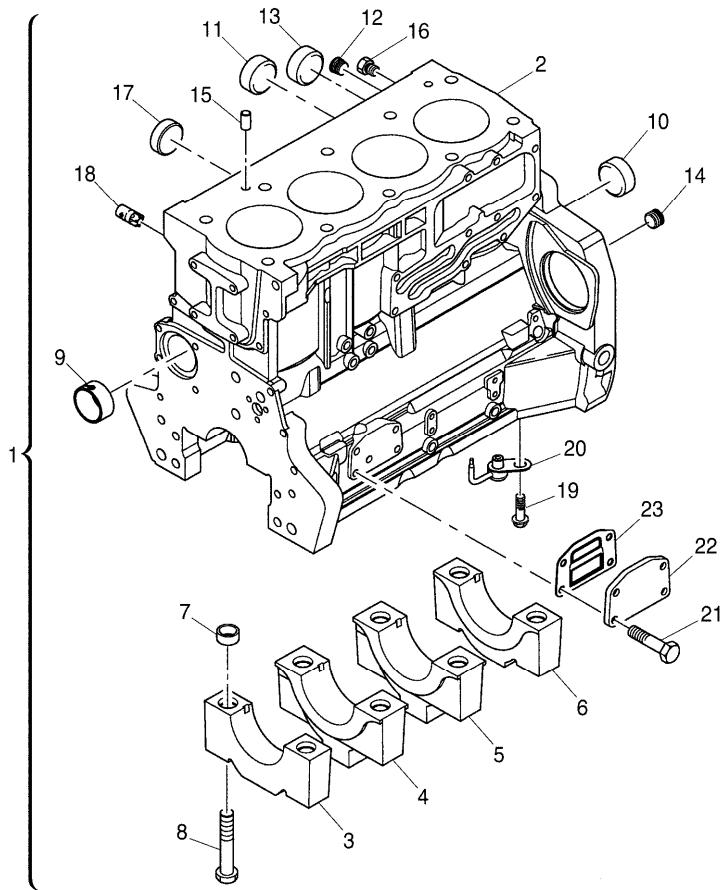
A-05
02



A0502

Cylinder block

Trekker New Tier2\000020523.png



| | | | | |
|----|----------|-----|-------------|--|
| 18 | 3212V006 | ! | 1 | |
| 19 | 2314F001 | ! | 1 | |
| 20 | 2113A001 | ! | 1 | |
| | | ● | 2113A003(4) | |
| 21 | 2314H033 | ! | 1 | |
| 22 | 3623A009 | ! | 1 | |
| | | T-A | 0:50 | |
| 23 | 3688A039 | ! | 1 | |
| | | T-A | 0:50 | |

Inglese

- 1 Plug
- 4 Screw
- 4 Atomiser
- 4 Screw
- 1 Plate
- 1 Gasket

- ! This is a component of an assembly
- ▣ Not serviced, order
- Replacement
- T-A Replacement

Engine

T Series Tier 2 (2003-2007) - CP01 - T 75 F-M

**A-05
03**

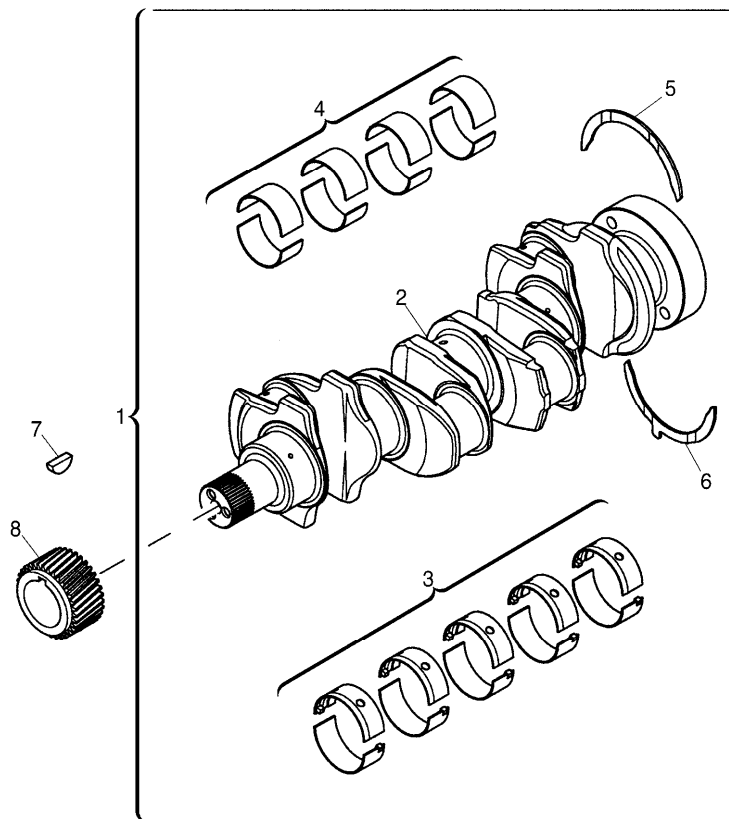


A0503

Crankshaft

Trekker New Tier2\000020524.png

Inglese



| | | | | | |
|---|-----------|-----|--------------|---|-------|
| 1 | ZZ90224 | ➔ | U491476 t | 1 | Kit |
| | | ● | ZZ90239(1) | | |
| | | T-A | 19:0 | | |
| 1 | ZZ90237 | ➔ | U491477 t | 1 | Shaft |
| 2 | | ! | 1 | 1 | Shaft |
| | | ➔ | Ref.n.1 | | |
| 3 | U5MB0018 | ! | 1 | 1 | Kit |
| | | ● | U5MB0033(1) | | |
| | | T-A | 19:0 | | |
| 3 | U5MB0018A | ! | 1 | 1 | Kit |
| | | ⚡ | 0.010" | | |
| | | ● | U5MB0033A(1) | | |
| | | T-A | 19:0 | | |
| 3 | U5MB0018B | ! | 1 | 1 | Kit |
| | | ⚡ | 0.020" | | |
| | | ● | U5MB0033B(1) | | |
| | | T-A | 19:0 | | |
| 3 | U5MB0018C | ! | 1 | 1 | Kit |
| | | ⚡ | 0.030" | | |
| | | ● | N.L.A.(1) | | |
| | | T-A | 19:0 | | |
| 4 | U5ME0013 | ! | 1 | 1 | Kit |
| | | ● | U5ME0034(1) | | |
| | | T-A | 19:0 | | |

Engine

T Series Tier 2 (2003-2007) - CP01 - T 75 F-M

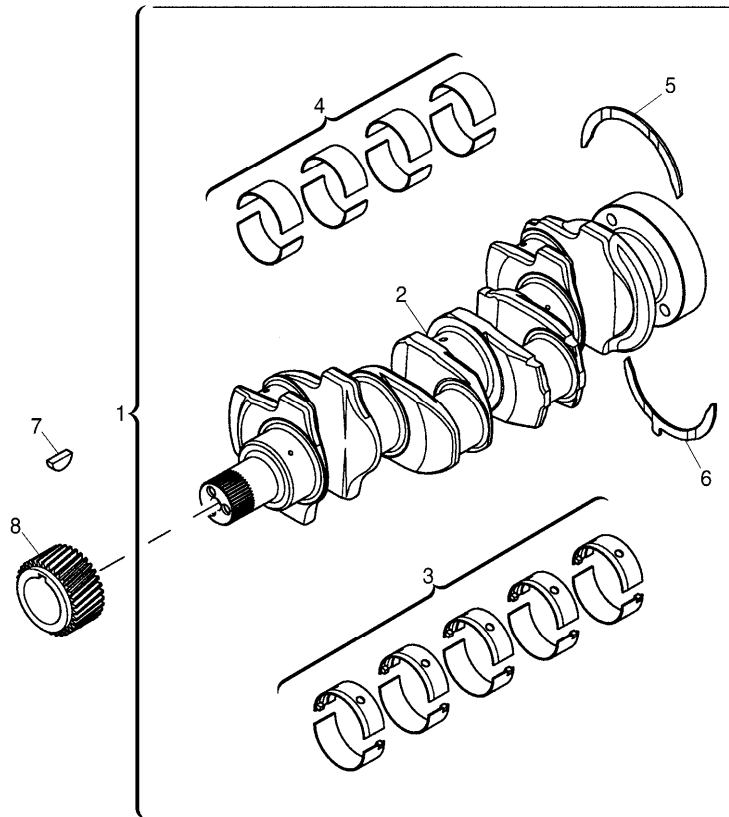
Trekker New Tier2\000020524.png

A-05
03



A0503

Crankshaft



Inglese

| | | | | |
|---|-----------|-----|--------------|----------|
| 4 | U5ME0013A | ! | 1 | 1 Kit |
| | | ⚡ | 0.010" | |
| | | ● | U5ME0034A(1) | |
| | | T-A | 19:0 | |
| 4 | U5ME0013B | ! | 1 | 1 Kit |
| | | ⚡ | 0.020" | |
| | | ● | U5ME0034B(1) | |
| | | T-A | 19:0 | |
| 4 | U5ME0013C | ! | 1 | 1 Kit |
| | | ⚡ | 0.030" | |
| | | ● | U5ME0034C(1) | |
| | | T-A | 19:0 | |
| 5 | 31137312 | ! | 1 | 2 Ring |
| | | ⚡ | 0.007" | |
| | | T-A | 19:0 | |
| 5 | 31137551 | ! | 1 | 2 Washer |
| 6 | 31137322 | ! | 1 | 2 Ring |
| | | ⚡ | 0.007" | |
| | | T-A | 19:0 | |
| 6 | 31137561 | ! | 1 | 2 Washer |
| 7 | 0500012 | | | 1 Key |
| 8 | 3117C221 | T-A | 13:0 | 1 Gear |

- ! This is a component of an assembly
- ➔ From serial or engine number
- ➡ Up to serial or engine number
- 🛑 Not serviced, order
- ⚡ Shim

Engine

T Series Tier 2 (2003-2007) - CP01 - T 75 F-M

Trekker New Tier2\000020524.png

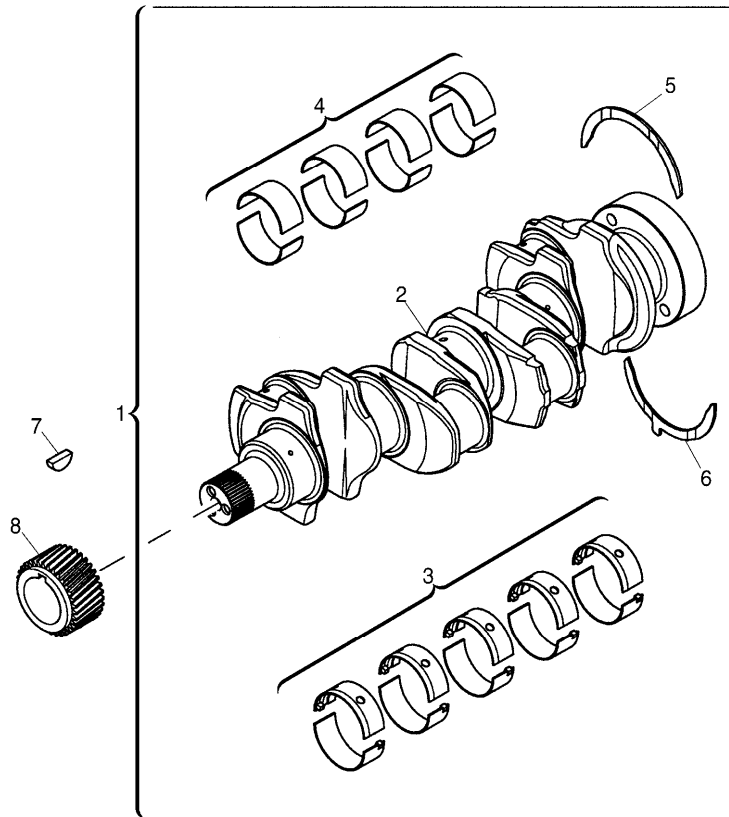
A-05
03



A0503

Crankshaft

- Replacement
- T-A Replacement



Engine

T Series Tier 2 (2003-2007) - CP01 - T 75 F-M

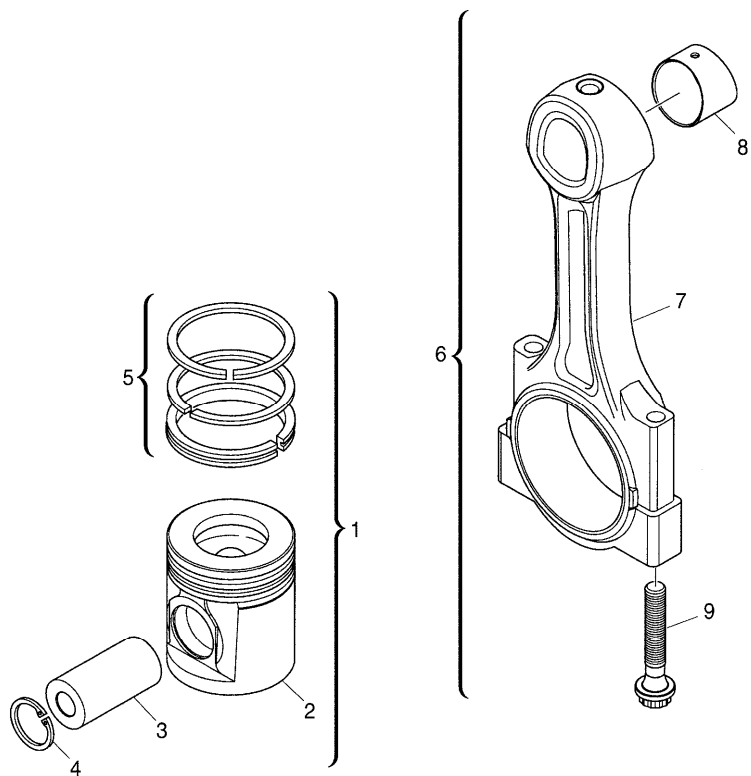
**A-05
04**



A0504

Pistons and connecting rods

Trekker New Tier2\000020525.png



Inglese

| | | | |
|---|----------|------------------|----------|
| 1 | 4115P011 | T-A 19:0 | 4 Kit |
| 2 | ! | 1 | 1 Piston |
| | ➡ | Ref.n.1 | |
| 3 | ! | 1 | 1 Piston |
| | ➡ | Ref.n.1 | |
| 4 | 2721332 | ! 1 | 2 Ring |
| 5 | UPRK0003 | ! 1 | 1 Kit |
| | (X) | 1.3.5. | |
| | T-A | 19:0 | |
| 6 | 4115C311 | ➡ U491477 t A | 4 Kit |
| | T-A | 19:0 | |
| 6 | 4115C312 | ➡ U491477 t B | 4 Kit |
| | T-A | 19:0 | |
| 6 | 4115C313 | ➡ U491477 t C | 4 Kit |
| | T-A | 19:0 | |
| 6 | 4115C314 | ➡ U491477 t D | 4 Kit |
| | T-A | 19:0 | |
| 6 | 4115C315 | ➡ U491477 t E | 4 Kit |
| | T-A | 19:0 | |

Engine

T Series Tier 2 (2003-2007) - CP01 - T 75 F-M

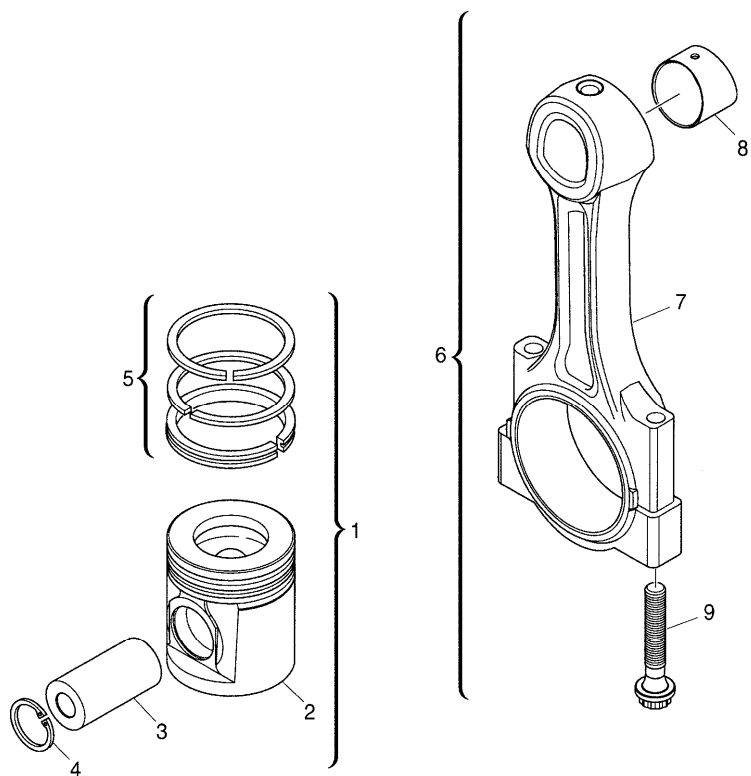
**A-05
04**



A0504

Pistons and connecting rods

Trekker New Tier2\000020525.png



Inglese

| | | | | | |
|---|----------|---|----------------------------|---|--------|
| 6 | 4115C316 | ➡ | U491477 t F T-A 19:0 | 4 | Kit |
| 6 | 4115C361 | ➡ | U491478 t A | 4 | Conrod |
| 6 | 4115C362 | ➡ | U491478 t B | 4 | Conrod |
| 6 | 4115C363 | ➡ | U491478 t C | 4 | Conrod |
| 6 | 4115C364 | ➡ | U491478 t D | 4 | Conrod |
| 6 | 4115C365 | ➡ | U491478 t E | 4 | Conrod |
| 6 | 4115C366 | ➡ | U491478 t F | 4 | Conrod |
| 7 | | ! | 6 ➡ Ref.n.6 | 1 | Conrod |
| 8 | 3112A005 | ! | 6 | 1 | Bush |
| 9 | 3212V003 | ! | 6 | 2 | Screw |

! This is a component of an assembly

➡ From serial or engine number

➡ Up to serial or engine number

➡ Not serviced, order

(X) Qty per tractors sold (aa.bbb.ccc.ddd) (aa) for 1,(bbb) 2-10 (ccc) 11-25 (ddd) 26-50

T-A Replacement

A Red

B Orange

Engine

T Series Tier 2 (2003-2007) - CP01 - T 75 F-M

A-05
04

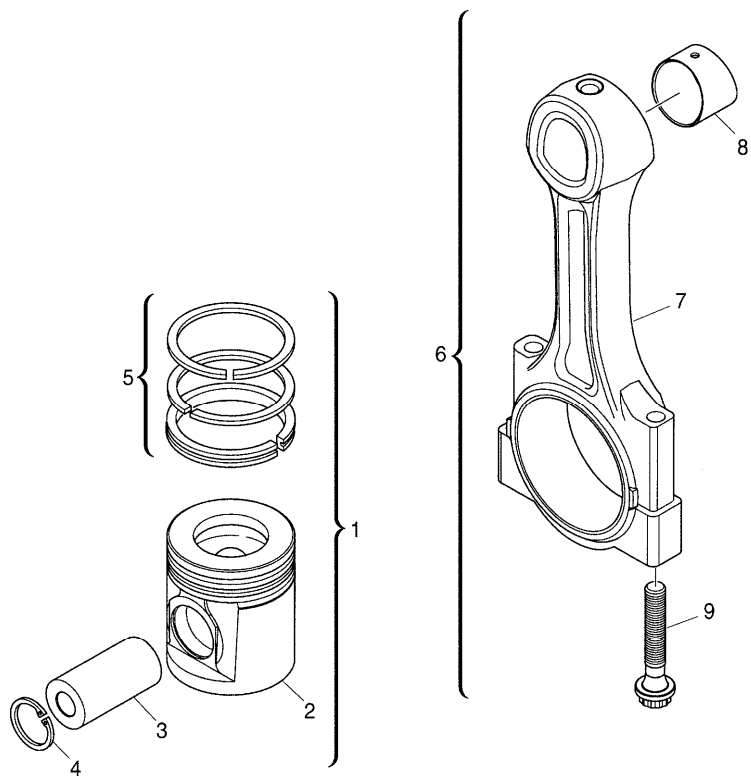


A0504

Pistons and connecting rods

Trekker New Tier2\000020525.png

- C White
- D Green
- E Purple
- F Blue



Engine

T Series Tier 2 (2003-2007) - CP01 - T 75 F-M

Trekker New Tier2\000020526.png

A-05
05



A0505

End cover

Inglese

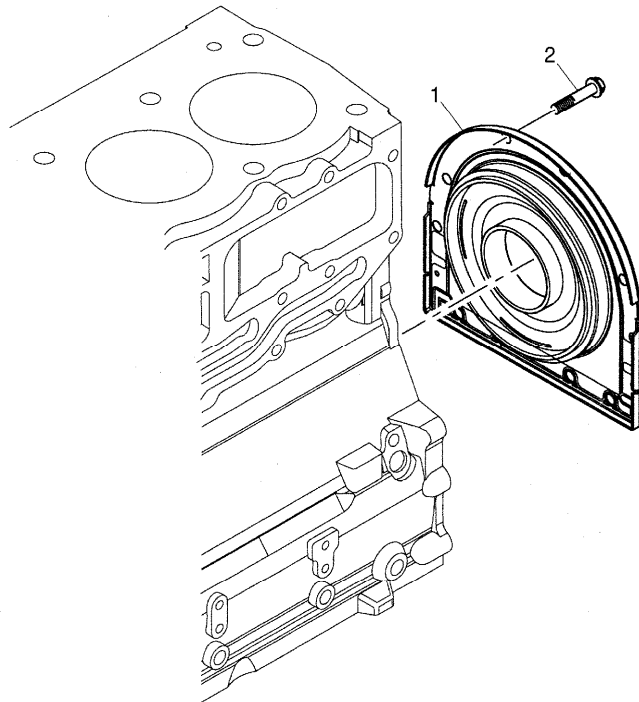
1 2418F704 T-A 12:0

2 3211C002

T-A Replacement

1 Housing

10 Screw



Engine

T Series Tier 2 (2003-2007) - CP01 - T 75 F-M

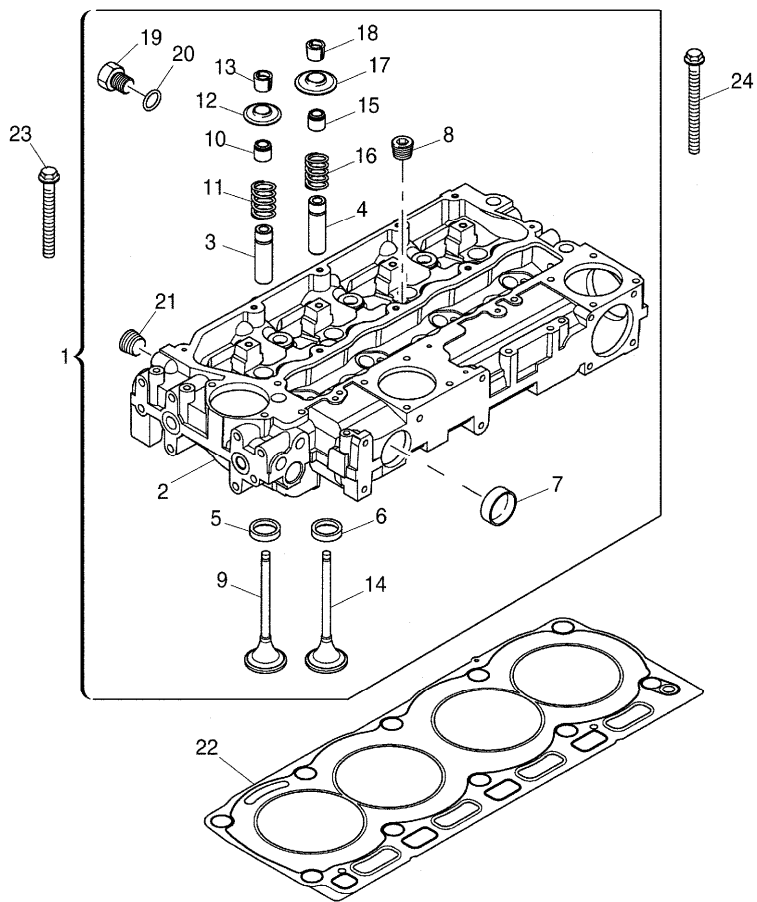
**A-05
06**



A0506

Cylinder head

Trekker New Tier2\000020527.png



| | | Inglese |
|----|----------|-----------------------------|
| 1 | ZZ80270 | T-A 4:0 T-B 7:0 1 Kit |
| 2 | | ! 1 1 Kit |
| 3 | 3313E021 | ! 1 Ref.n.1 4 Guide |
| | | ● 3313A012(4) T-A 7:50 |
| 4 | 3313E021 | ! 1 4 Guide |
| | | ● 3313A012(4) T-A 7:50 |
| 5 | 3314A151 | ! 1 4 Insert |
| | | ● 3314A241(4) T-A 7:50 |
| 6 | 3314A161 | ! 1 4 Insert |
| | | ● 3314A231(4) T-A 7:50 |
| 7 | 32416117 | ! 1 2 Plug |
| | | T-A 1:0 |
| 8 | 0650588 | ! 1 4 Plug |
| | | T-A 0:50 |
| 9 | 3142H071 | ! 1 4 Valve |
| | | T-A 7:50 |
| 10 | 2418M519 | ! 1 4 Ring |
| | | A T-A 3:0 |

Engine

T Series Tier 2 (2003-2007) - CP01 - T 75 F-M

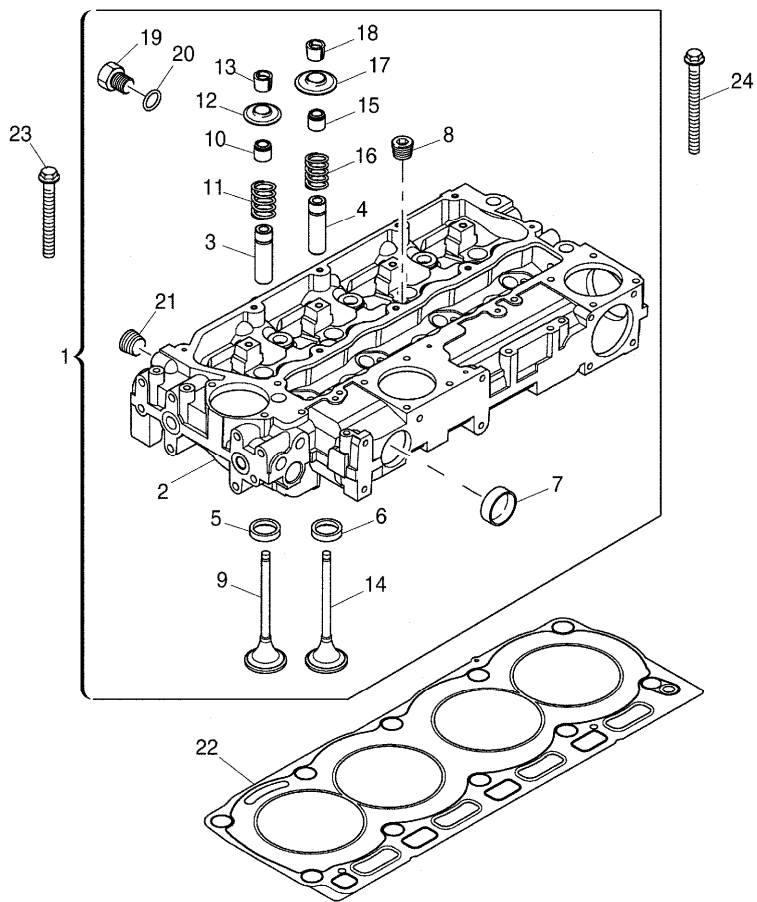
A-05
06



A0506

Cylinder head

Trekker New Tier2\000020527.png



| | | | Inglese |
|----|----------|---------------|----------|
| 11 | 3174A016 | ! 1 | 4 Spring |
| | | T-A 3:0 | |
| 12 | 3342A011 | ! 1 | 4 Cover |
| | | T-A 3:0 | |
| 13 | 3142W004 | ! 1 | 8 Cotter |
| | | T-A 3:0 | |
| 14 | 3142A151 | ! 1 | 4 Valve |
| | | T-A 7:50 | |
| 15 | 2418M514 | ! 1 | 4 Ring |
| | | ● N.L.S.(4) | |
| | | B | |
| | | T-A 3:0 | |
| 16 | 3174A016 | ! 1 | 4 Spring |
| | | T-A 3:0 | |
| 17 | 3342A011 | ! 1 | 4 Cover |
| | | T-A 3:0 | |
| 18 | 3142W004 | ! 1 | 8 Cotter |
| | | T-A 3:0 | |
| 19 | 3278A006 | ! 1 | 1 Plug |
| 20 | 2415H003 | ! 1 | 1 Ring |
| 21 | 2431154 | ! 1 | 1 Plug |
| 22 | 3681E047 | ● 3681E051(1) | 1 Gasket |
| | | (X) | |
| | | T-A 4:0 | |
| 23 | 3218A011 | | 7 Screw |
| 24 | 3218A012 | | 3 Screw |

Engine

A-05
06

Cylinder head

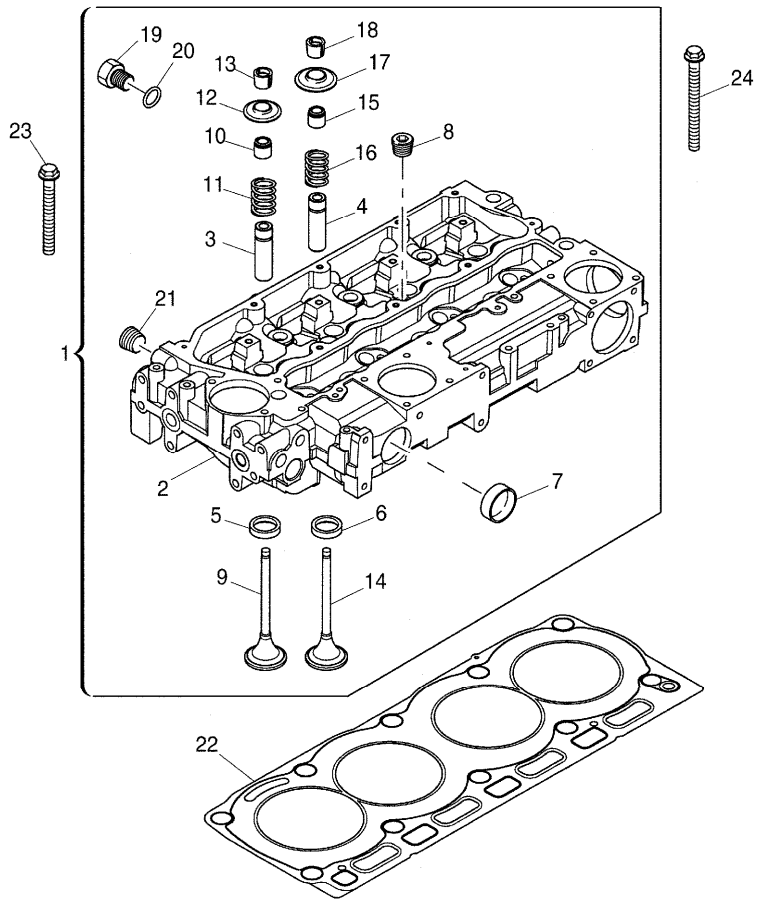
T Series Tier 2 (2003-2007) - CP01 - T 75 F-M



A0506

Trekker New Tier2\000020527.png

- ! This is a component of an assembly
- ▣ Not serviced, order
- Replacement
- (X) Qty per tractors sold (aa.bbb.ccc.ddd) (aa) for 1,(bbb) 2-10 (ccc) 11-25 (ddd) 26-50
- T-A Replacement
- T-B Overhaul
- A Green
- B Brown



Buy Now



Our support email:

ebooklibonline@outlook.com