

Engine

T Series Tier 2 (2003-2007) - CP01 - T105 F-M-T

Trekker New Tier2\000020783.png

A-05
01



A0501

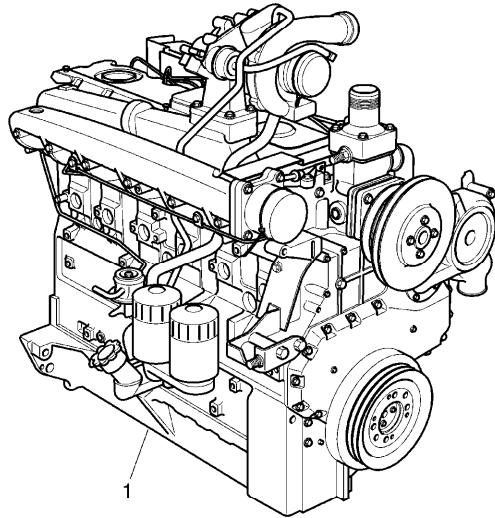
Engine assembly - turbo

Inglese

1 3670061M91 Rg37956
T-A 9:0
T-B 31:0

1 Engine

T-A Replacement
T-B Overhaul



Engine

T Series Tier 2 (2003-2007) - CP01 - T105 F-M-T

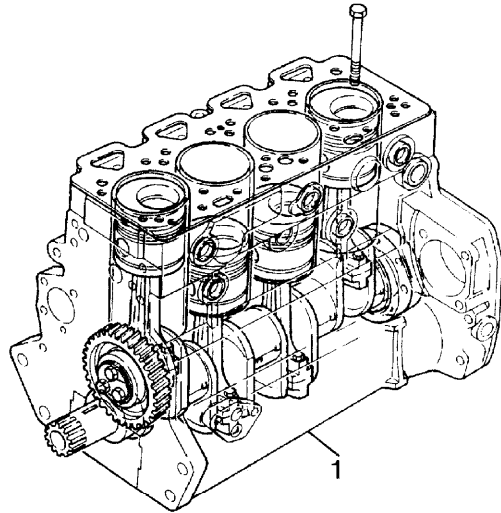
Trekker New Tier2\0000005E.png

A-05
015



A05015

Short engine



Inglese

- | | | | | | |
|---|---------|--|----------------------------------|---|--------------|
| 1 | RG40001 | | U491476 t | 1 | Short engine |
| | | | 3115A141(1),
32186146(3), RG4 | | |
| 1 | RG40023 | | U491477 t | 1 | Short engine |

- From serial or engine number
- Up to serial or engine number
- Replacement

Engine

T Series Tier 2 (2003-2007) - CP01 - T105 F-M-T

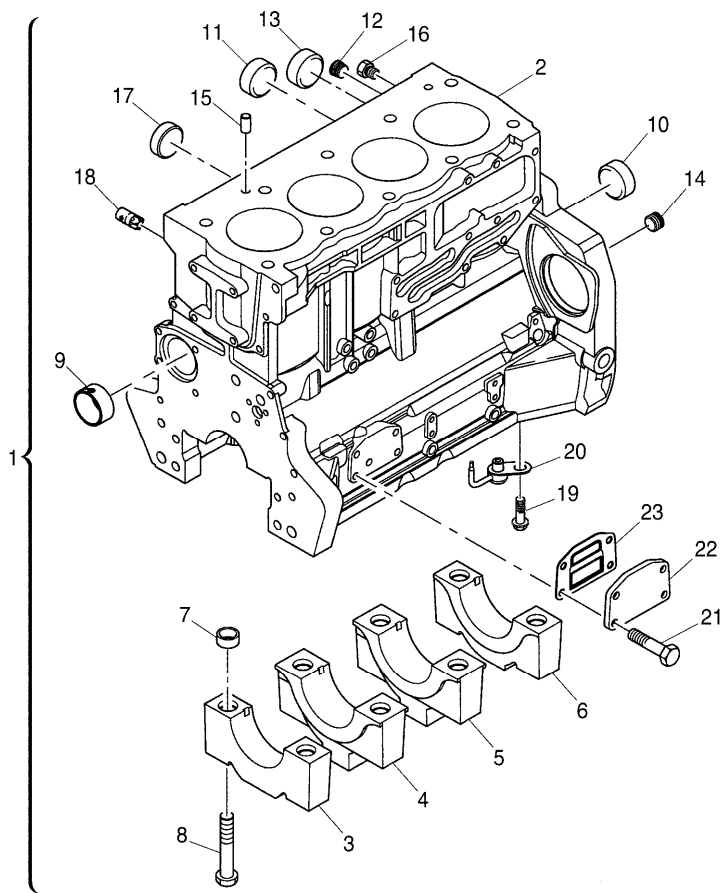
A-05
02



A0502

Cylinder block

Trekker New Tier2\000020523.png



		Inglese	
1	ZZ50312	● ZZ50325(1)	1 Kit
		T-A 31:0	
2		! 1	1 Kit
		➡ Ref.n.1	
3		! 1	1 Bearing
		➡ Ref.n.1	
4		! 1	2 Bearing
		➡ Ref.n.1	
5		! 1	1 Bearing
		➡ Ref.n.1	
6		! 1	1 Bearing
		➡ Ref.n.1	
7		! 1	10 Sleeve
		➡ Ref.n.1	
8	32166329	! 1	10 Screw
9	3112D071	! 1	1 Bush
		● 3112D075(1)	
10	3241A012	! 1	1 Plug
11	3241A011	! 1	2 Plug
12	0650588	! 1	1 Plug
13	0650710	! 1	1 Plug
14	3212P008	! 1	1 Plug
15	3244A009	! 1	2 Dowel
16	32141316	! 1	2 Plug
17	2485A108	! 1	1 Plug

Engine

T Series Tier 2 (2003-2007) - CP01 - T105 F-M-T

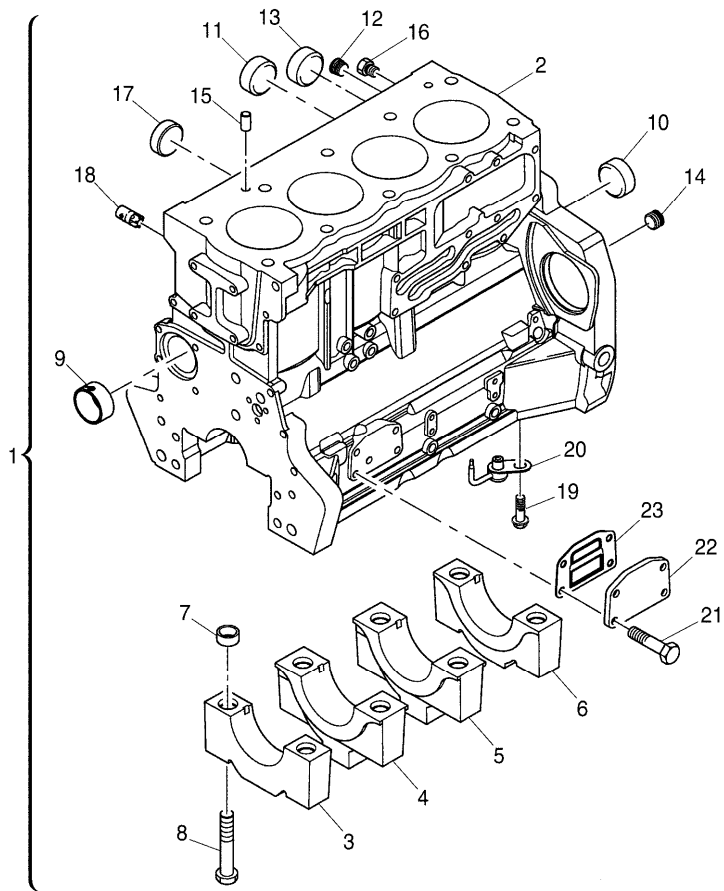
A-05
02



A0502

Cylinder block

Trekker New Tier2\000020523.png



18	3212V006	!	1	
19	2314F001	!	1	
20	2113A001	!	1	
		●	2113A003(4)	
21	2314H033	!	1	
22	3623A009	!	1	
		T-A	0:50	
23	3688A039	!	1	
		T-A	0:50	

Inglese

- 1 Plug
- 4 Screw
- 4 Atomiser
- 4 Screw
- 1 Plate
- 1 Gasket

- ! This is a component of an assembly
- ▣ Not serviced, order
- Replacement
- T-A Replacement

Engine

T Series Tier 2 (2003-2007) - CP01 - T105 F-M-T

**A-05
03**

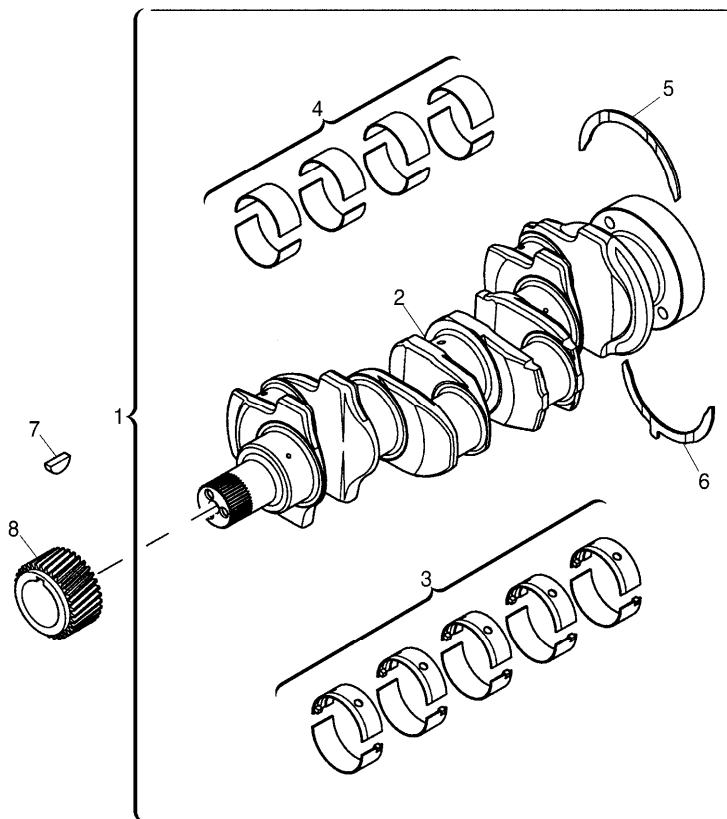


A0503

Camshaft

Trekker New Tier2\000020524.png

Inglese



1	ZZ90222	➔	U056074 t	1	Kit
		●	ZZ90239(1)		
		T-A	19:0		
1	ZZ90237	➔	U056075 t	1	Shaft
2		!	1	1	Shaft
		➔	Ref.n.1		
3	U5MB0018	!	1	1	Kit
		➔	U056074 t		
		●	U5MB0033(1)		
		T-A	19:0		
3	U5MB0018A	!	1	1	Kit
		⌵	0.010"		
		➔	U056074 t		
		●	U5MB0033A(1)		
		T-A	19:0		
3	U5MB0018B	!	1	1	Kit
		⌵	0.020"		
		➔	U056074 t		
		●	U5MB0033B(1)		
		T-A	19:0		
3	U5MB0018C	!	1	1	Kit
		⌵	0.030"		
		➔	U056074 t		
		●	N.L.A.(1)		
		T-A	19:0		

Engine

T Series Tier 2 (2003-2007) - CP01 - T105 F-M-T

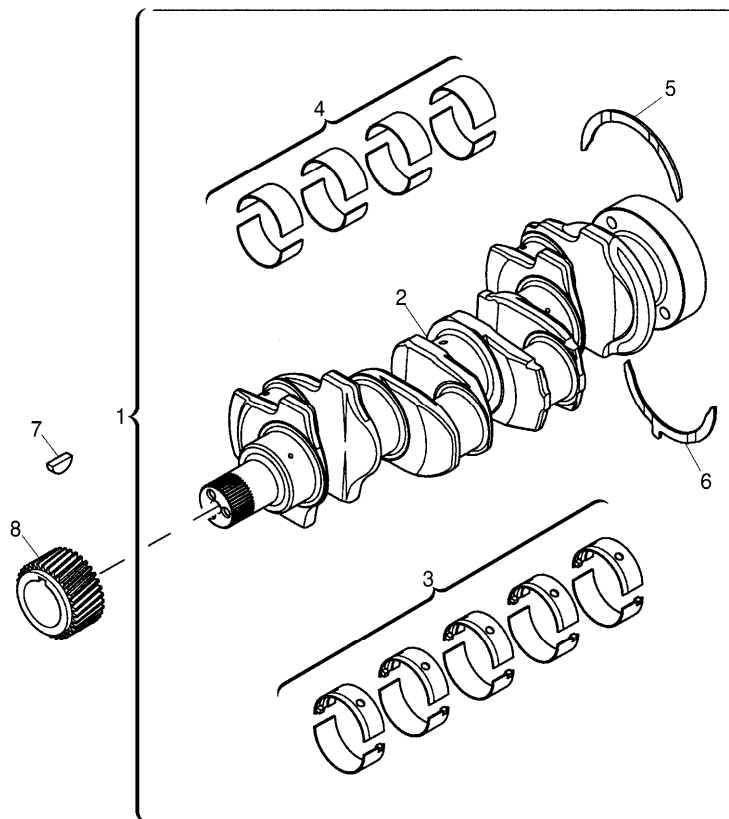
A-05
03



A0503

Camshaft

Trekker New Tier2\000020524.png



Inglese

3	U5MB0033	!	1	1 Kit
		➔	U056075 t	
3	U5MB0033A	!	1	1 Kit
		⊗	-0,25mm	
		➔	U056075 t	
3	U5MB0033B	!	1	1 Kit
		⊗	-0,50mm	
		➔	U056075 t	
3	U5MB0033C	!	1	1 Kit
		⊗	-0,75mm	
		➔	U056075 t	
		●	N.L.A.(1)	
4	T400002	!	1	1 Kit
		➔	U056075 t	
		●	T410927(1)	
4	U5ME0026	!	1	1 Kit
		➔	U056074 t	
		●	U5ME0034(1)	
4	U5ME0026A	!	1	1 Kit
		⊗	+0,25mm	
		➔	U056074 t	
		●	U5ME0034A(1)	
4	U5ME0026B	!	1	1 Kit
		⊗	+0,50mm	
		➔	U056074 t	
		●	U5ME0034B(1)	

Engine

T Series Tier 2 (2003-2007) - CP01 - T105 F-M-T

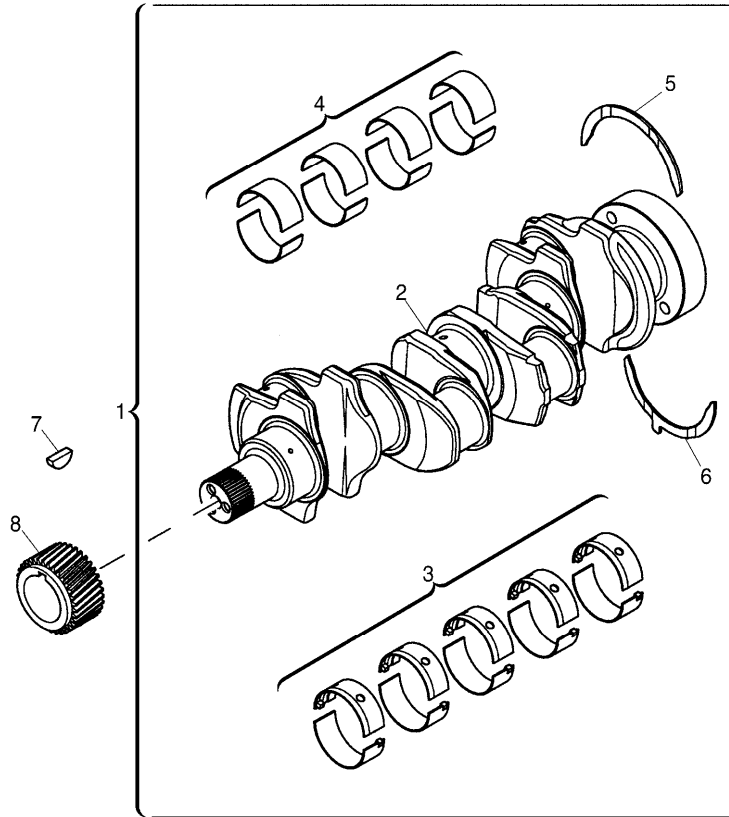
Trekker New Tier2\000020524.png

A-05
03



A0503

Camshaft



Inglese

4	U5ME0026C	!	1	1 Kit
		⚡	+0,75mm	
		➔	U056074 t	
		●	U5ME0034C(1)	
5	31137312	!	1	2 Ring
		⚡	0.007"	
		T-A	19:0	
5	31137551	!	1	2 Washer
6	31137322	!	1	2 Ring
		⚡	0.007"	
		T-A	19:0	
6	31137561	!	1	2 Washer
7	0500012			1 Key
8	3117C221	T-A	13:0	1 Gear
	!	This is a component of an assembly		
	➔	From serial or engine number		
	➔	Up to serial or engine number		
	⚡	Not serviced, order		
	⚡	Shim		
	●	Replacement		
	T-A	Replacement		

Engine

T Series Tier 2 (2003-2007) - CP01 - T105 F-M-T

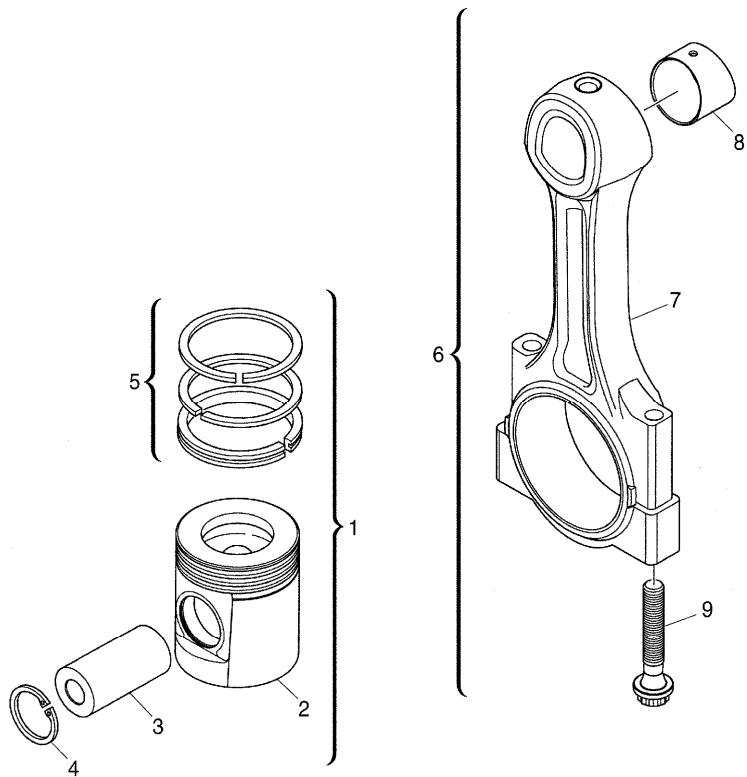
Trekker New Tier2\000020562.png

**A-05
04**



A0504

Pistons and connecting rods



			Inglese
1	U5PR0062	Std	4 Kit
1	U5PR0062B	+0,5 mm	4 Kit
2		! 1	1 Piston
		➡ Ref.n.1	
3		! 1	1 Piston
		➡ Ref.n.1	
4	2721332	! 1	2 Ring
5	UPRK0005	! 1	1 Kit
6	4115C311	➡ U056074 t	4 Kit
		A	
		T-A 19:0	
6	4115C312	➡ U056074 t	4 Kit
		B	
		T-A 19:0	
6	4115C313	➡ U056074 t	4 Kit
		C	
		T-A 19:0	
6	4115C314	➡ U056074 t	4 Kit
		D	
		T-A 19:0	
6	4115C315	➡ U056074 t	4 Kit
		E	
		T-A 19:0	
6	4115C316	➡ U056074 t	4 Kit
		F	
		T-A 19:0	

Engine

T Series Tier 2 (2003-2007) - CP01 - T105 F-M-T

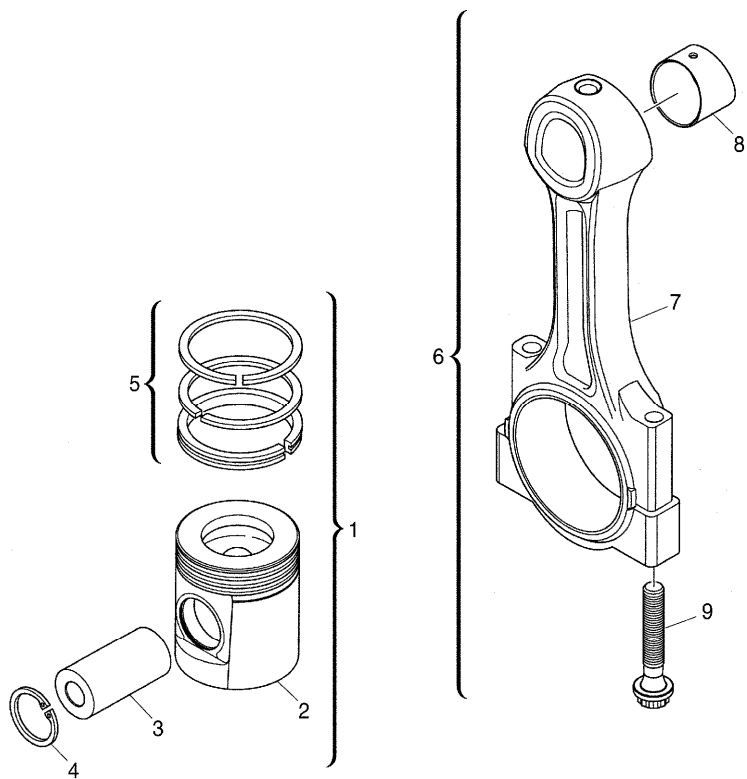
Trekker New Tier2\000020562.png

**A-05
04**



A0504

Pistons and connecting rods



		Inglese	
6	4115C361	➡ U056075 t	4 Conrod
	A		
6	4115C362	➡ U056075 t	4 Conrod
	B		
6	4115C363	➡ U056075 t	4 Conrod
	C		
6	4115C364	➡ U056075 t	4 Conrod
	D		
6	4115C365	➡ U056075 t	4 Conrod
	E		
6	4115C366	➡ U056075 t	4 Conrod
	F		
7	!	6	1 Conrod
	➡	Ref.n.6	
8	3112A005	!	6
			1 Bush
9	3212V003	!	6
			2 Screw
		➡ U056074 t	
9	T400001	!	6
			2 Screw
		➡ U056075 t	

- ! This is a component of an assembly
- ➡ From serial or engine number
- ➡ Up to serial or engine number
- ➡ Not serviced, order
- T-A Replacement
- A Red
- B Orange
- C White
- D Green

Engine

T Series Tier 2 (2003-2007) - CP01 - T105 F-M-T

Trekker New Tier2\000020562.png

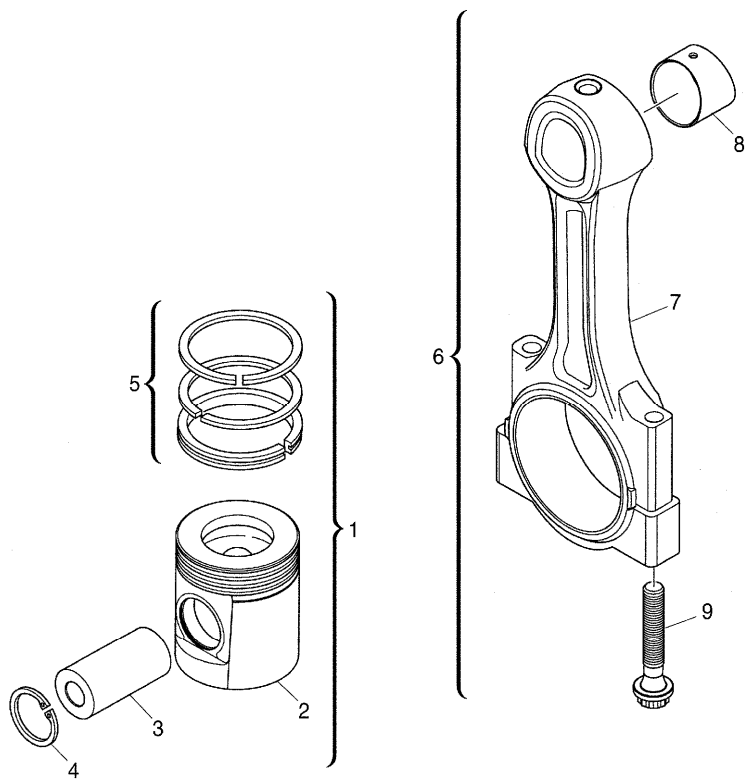
A-05
04



A0504

Pistons and connecting rods

E Purple
F Blue



Engine

T Series Tier 2 (2003-2007) - CP01 - T105 F-M-T

Trekker New Tier2\000020526.png

A-05
05



A0505

End cover

Inglese

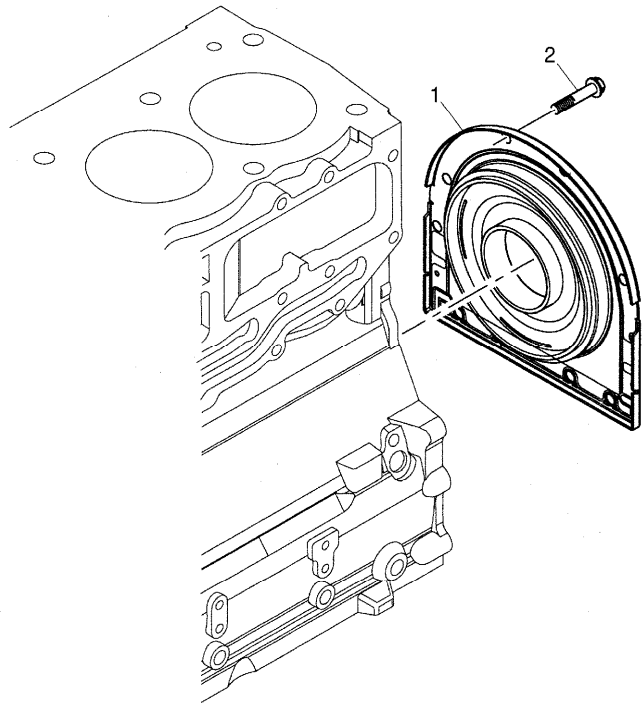
1 2418F704 T-A 12:0

2 3211C002

T-A Replacement

1 Housing

10 Screw



Engine

T Series Tier 2 (2003-2007) - CP01 - T105 F-M-T

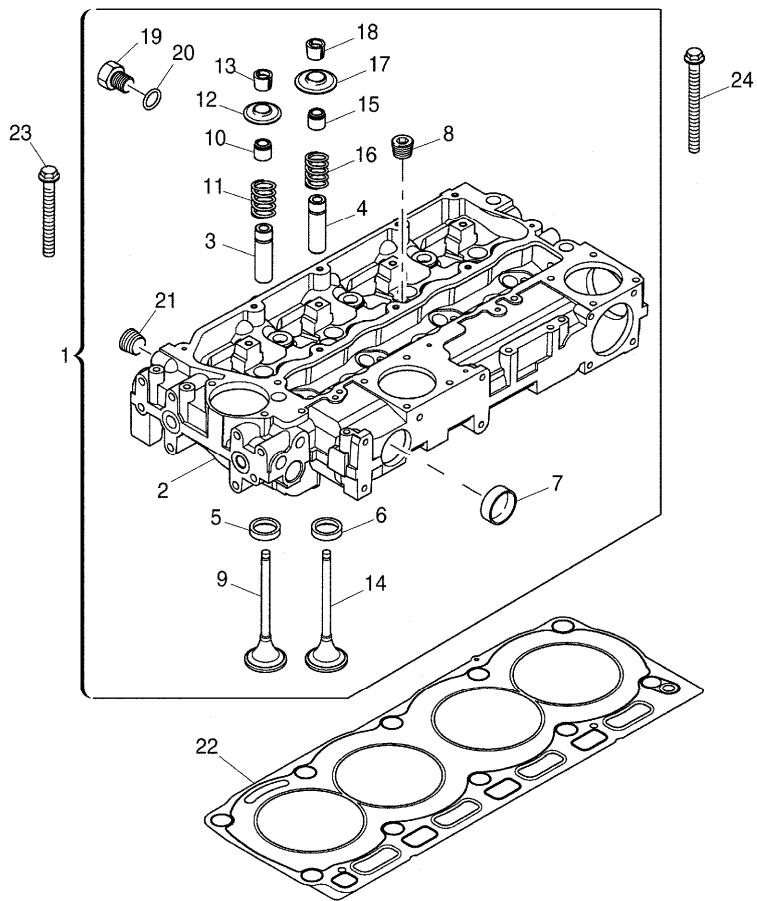
Trekker New Tier2\000020527.png

**A-05
06**



A0506

Cylinder head



		Inglese	
1	ZZ80268	T-A 4:0	1 Kit
		T-B 7:0	
2	!	1	1 Kit
		➡ Ref.n.1	
3	3313E021	!	4 Guide
		● 3313A012(4)	
		T-A 7:50	
4	3313E021	!	4 Guide
		● 3313A012(4)	
		T-A 7:50	
5	3314A151	!	4 Insert
		● 3314A241(4)	
		T-A 7:50	
6	3314A161	!	4 Insert
		● 3314A231(4)	
		T-A 7:50	
7	32416117	!	2 Plug
		T-A 1:0	
8	0650588	!	4 Plug
		T-A 0:50	
9	3142H071	!	4 Valve
		T-A 7:50	
10	2418M514	!	4 Ring
		● N.L.S.(4)	
		B	

Engine

T Series Tier 2 (2003-2007) - CP01 - T105 F-M-T

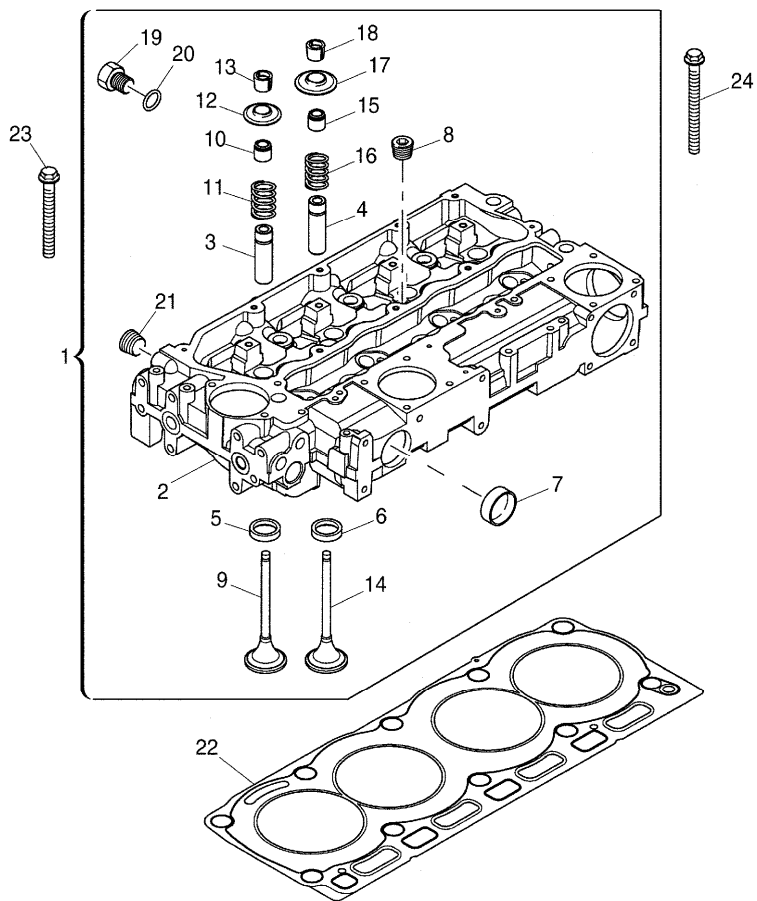
**A-05
06**



A0506

Cylinder head

Trekker New Tier2\000020527.png



			Inglese
10	2418M519	! 1	4 Ring
		A	
		T-A 3:0	
11	3174A016	! 1	4 Spring
		T-A 3:0	
12	3342A011	! 1	4 Cover
		T-A 3:0	
13	3142W004	! 1	8 Cotter
		T-A 3:0	
14	3142A151	! 1	4 Valve
		T-A 7:50	
15	2418M514	! 1	4 Ring
		● N.L.S.(4)	
		B	
		T-A 3:0	
16	3174A016	! 1	4 Spring
		T-A 3:0	
17	3342A011	! 1	4 Cover
		T-A 3:0	
18	3142W004	! 1	8 Cotter
		T-A 3:0	
19	3278A006	! 1	1 Plug
20	2415H003	! 1	1 Ring
21	2431154	! 1	1 Plug

Engine

T Series Tier 2 (2003-2007) - CP01 - T105 F-M-T

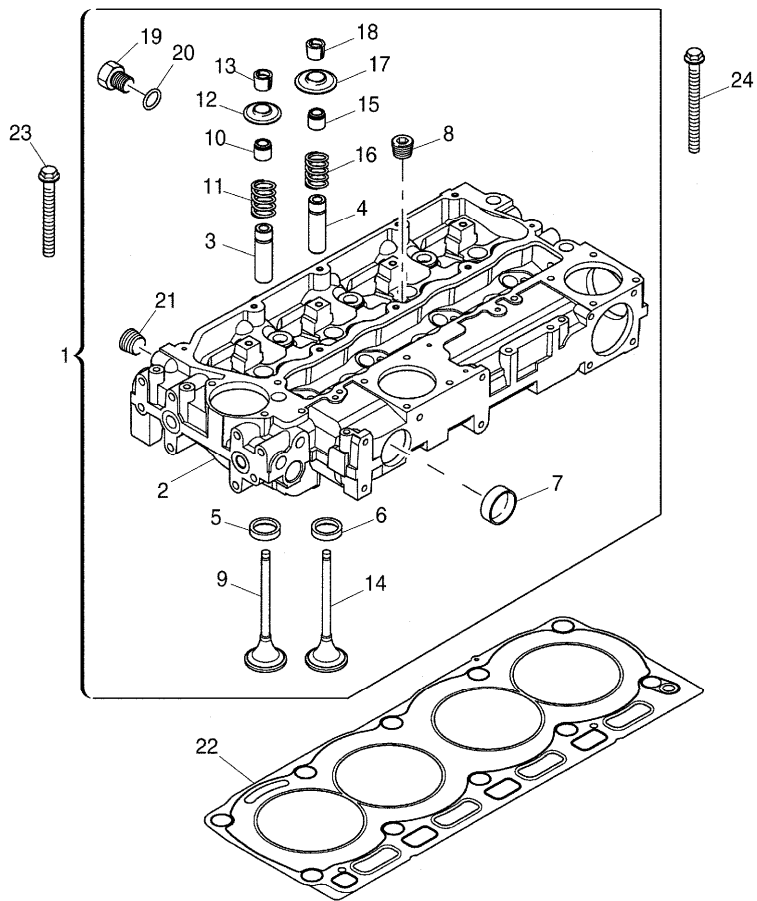
A-05
06



A0506

Cylinder head

Trekker New Tier2\000020527.png



Inglese

- 22 3681E046 ● 3681E051(1) 1 Gasket
- (X)
- T-A 4:0
- 23 3218A011 7 Screw
- 24 3218A012 3 Screw

! This is a component of an assembly

▣ Not serviced, order

● Replacement

(X) Qty per tractors sold (aa.bbb.ccc.ddd) (aa) for 1,(bbb) 2-10 (ccc) 11-25 (ddd) 26-50

T-A Replacement

T-B Overhaul

A Green

B Brown

Buy Now



Our support email:

ebooklibonline@outlook.com