

Engine

T Series Compact (2001-2009) - CT00 - T60 F

Trekker C Tier2\000020019.png

A-01  
01



A0101

Engine assembly - engine yanmar type "4tne 94"

Inglese

1 4204789M91 A

T-A 8:0

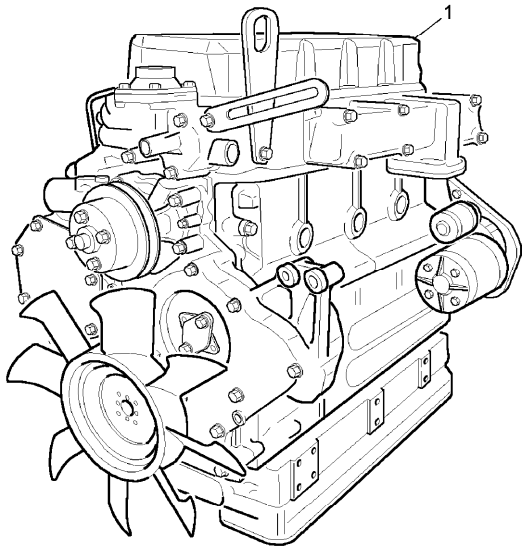
T-B 26:0

T-A Replacement

T-B Overhaul

A For model tier 1

1 Engine



Engine

T Series Compact (2001-2009) - CT00 - T60 F

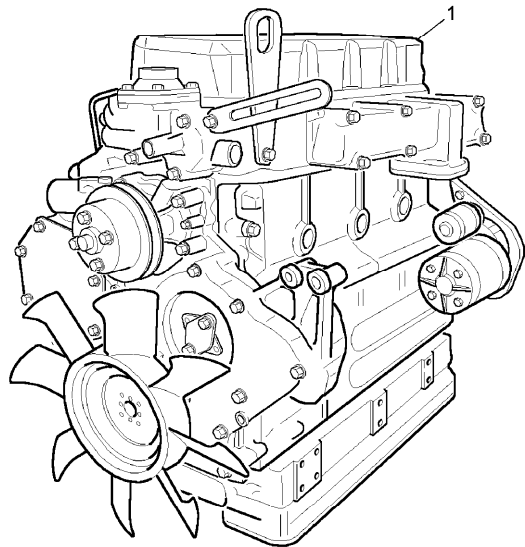
Trekker C Tier2\00012284.png

A-01  
015



A01015

Engine assembly - engine yanmar type "4tn 94l/nlan"



Inglese

- 1 3669913M91 ➡ Y42505 1 Engine
- Substitutions error
- A
- T-A 8:0
- T-B 26:0
- 1 3685549M91 ➡ Y42506 1 Engine
- A
- T-A 8:0
- T-B 26:0

- ➡ From serial or engine number
- ➡ Up to serial or engine number
- Replacement
- T-A Replacement
- T-B Overhaul
- A For model tier 2

Engine

T Series Compact (2001-2009) - CT00 - T60 F

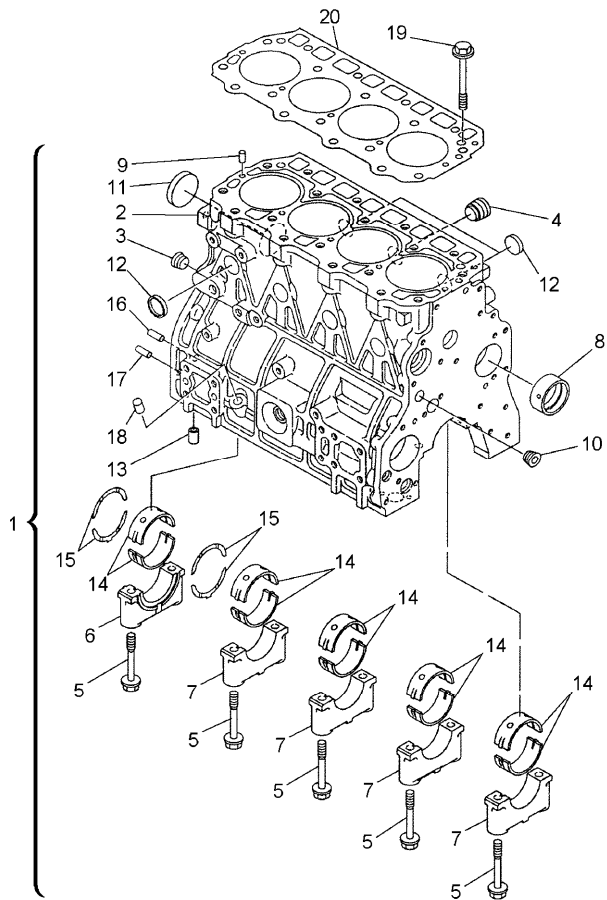
A-01  
02



A0102

Cylinder block - engine yanmar "4tne 94"

Trekker C Tier2\000020000.png



Inglese

-	A		
1	3666922M1	T-A 26:0	1 Cylinder
2		➡ Ref.n.1	1 Cylinder block
		! 1	
3		! 1	1 Plug
		➡ Ref.n.1	
4	3653796M1	! 1	1 Plug
		T-A 0:50	
5	3664574M1	! 1	10 Bolt
6		➡ Ref.n.1	1 Support
		! 1	
7		➡ Ref.n.1	4 Support
		! 1	
8	3664576M1	! 1	1 Bush
		T-A 16:50	
9	3653818M1	! 1	2 Pin
10	3665018M1	! 1	1 Plug
11	3664567M1	! 1	1 Plug
12	3653889M1	! 1	8 Plug
		● 3653889M2(8)	
		T-A 0:75	
13	3664971M1	! 1	1 Head
14	3664575M1	! 1	5 Bearing
		● 3664575M2(5)	
		T-A 16:50	

Engine

T Series Compact (2001-2009) - CT00 - T60 F

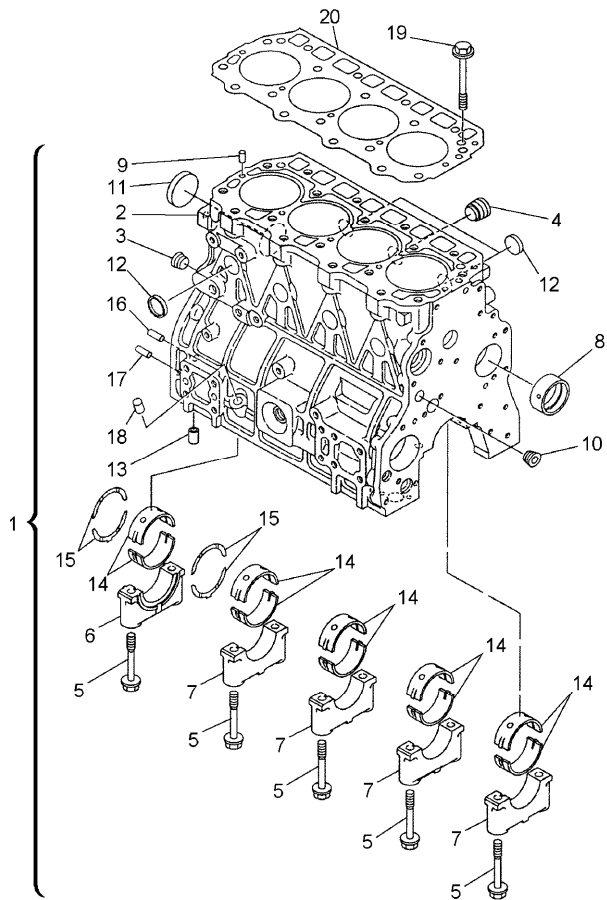
Trekker C Tier2\000020000.png

A-01  
02



A0102

Cylinder block - engine yanmar "4tne 94"



			Inglese
14	3664577M1	! 1	5 Bearing
		● 3679645M1(5)	
		T-A 16:50	
15	3664578M1	! 1	2 Bearing
		T-A 16:50	
15	3664579M1	! 1	2 Bearing
		● 3664579M2(2)	
		T-A 16:50	
16	3653378M1	! 1	2 Pin
17	3665008M1	! 1	2 Pin
18	3653886M1	! 1	1 Plug
19	3664566M1		18 Bolt
20	3664568M1	T-A 1:50	1 Gasket

- ! This is a component of an assembly
- ▣ Not serviced, order
- Replacement
- T-A Replacement
- A For model tier 1

Engine

T Series Compact (2001-2009) - CT00 - T60 F

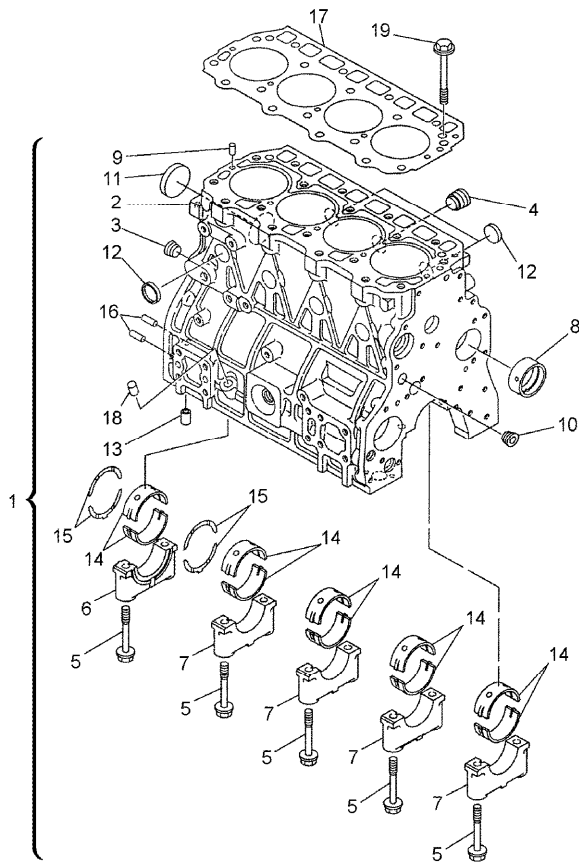
**A-01  
025**



A01025

Cylinder block - engine yanmar "4tnv 94l/nlan"

Trekker C Tier2\000031.260.png



Inglese

-	A		
1	3679985M1	T-A 26:0	1 Kit
2		➡ Ref.n.1	1 Cylinder block
		! 1	
3	3665018M1	! 1	1 Plug
4	3653796M1	! 1	1 Plug
		T-A 0:50	
5	3664574M1	! 1	10 Bolt
6		➡ Ref.n.1	1 Support
		! 1	
7		➡ Ref.n.1	4 Support
		! 1	
8	3664576M1	! 1	1 Bush
		T-A 16:50	
9	3653818M1	! 1	2 Pin
10	3665018M1	! 1	1 Plug
11	3664567M1	! 1	1 Plug
12	3653889M1	! 1	8 Plug
		● 3653889M2(8)	
		T-A 0:75	
13	3664971M1	! 1	1 Head
14	3664575M1	! 1	5 Cuscinet
		● 3664575M2(5)	
		Under size 0,25	
		T-A 16:50	

Engine

T Series Compact (2001-2009) - CT00 - T60 F

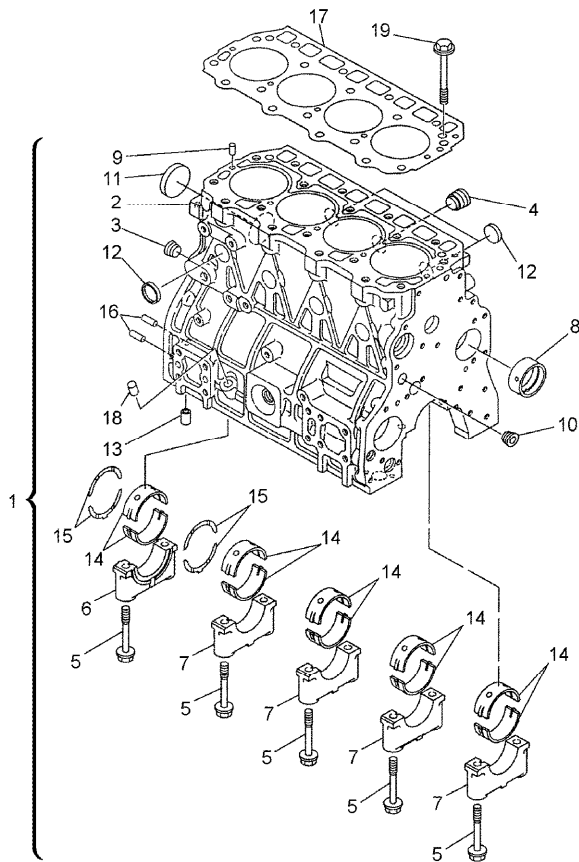
**A-01  
025**



A01025

Cylinder block - engine yanmar "4tnv 94l/nlan"

Trekker C Tier2\000031.260.png



**Inglese**

14	3679645M1	!	1	5	Kit
		T-A	16:50		
15	3664578M1	!	1	2	Cuscinet
		T-A	16:50		
15	3664579M1	!	1	2	Cuscinet
		●	3664579M2(2)		
			Over size 0,25		
		T-A	16:50		
16	3653378M1	!	1	4	Dowel
17	3679986M1	(X)	1.3.5.	1	Gasket
		T-A	1:50		
18	3677943M1	!	1	1	Plug
19	3664566M1			18	Bolt

! This is a component of an assembly

▣ Not serviced, order

● Replacement

(X) Qty per tractors sold (aa.bbb.ccc.ddd) (aa) for 1,(bbb) 2-10 (ccc) 11-25 (ddd) 26-50

T-A Replacement

A For model tier 2

Engine

T Series Compact (2001-2009) - CT00 - T60 F

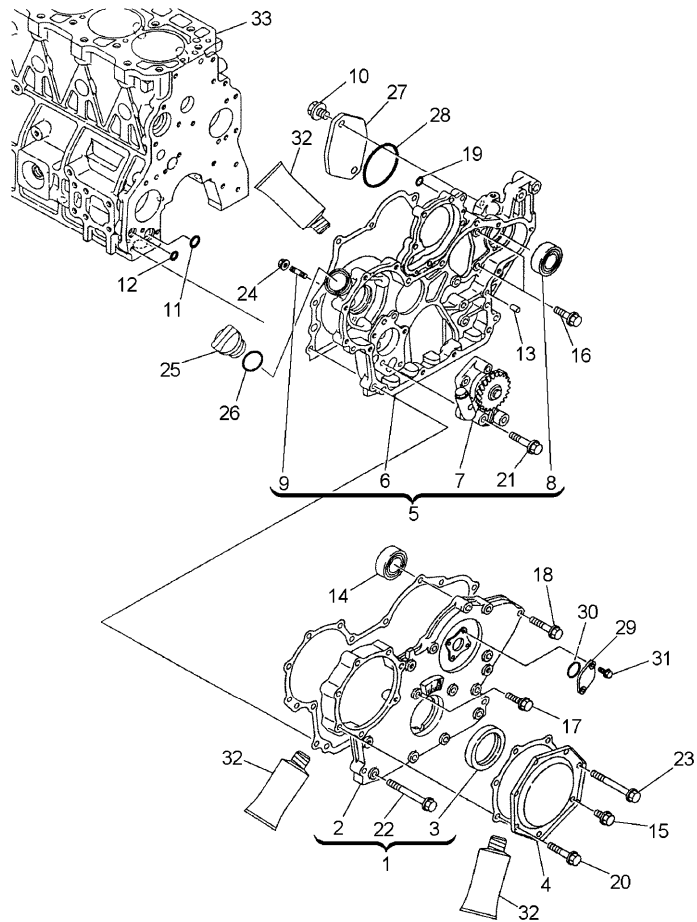
Trekker C Tier2\000020001.png

A-01  
03



A0103

Gear covers - engine yanmar "4tne 94"



Inglese

-	A		
1	3666916M1	T-A 4:75	1 Cover
2		▶ Ref.n.1	1 Cover
		! 1	
3	3664571M1	! 1	1 Seal
		T-A 2:50	
4	3664966M1	T-A 0:50	1 Cover
5	3664572M1	T-A 4:75	1 Gear
6	3664569M1	! 5	1 Gear
		T-A 4:75	
7	3664668M1	! 5	1 Pump
		T-A 4:75	
8	3664667M1	! 5	1 Bearing
		T-A 4:75	
9	3666904M1	! 5	4 Stud
10	3666897M1		2 Bolt
11	3664669M1	T-A 4:75	1 O ring
12	3664670M1	T-A 4:75	1 O ring
13	3653378M1		4 Dowel
14	3664667M1	T-A 4:75	1 Bearing
15	3653858M1		1 Bolt
16	3653859M1		3 Bolt
17	3666895M1		1 Bolt
18	3653862M1		5 Bolt
19	3665019M1		1 O ring

Engine

T Series Compact (2001-2009) - CT00 - T60 F

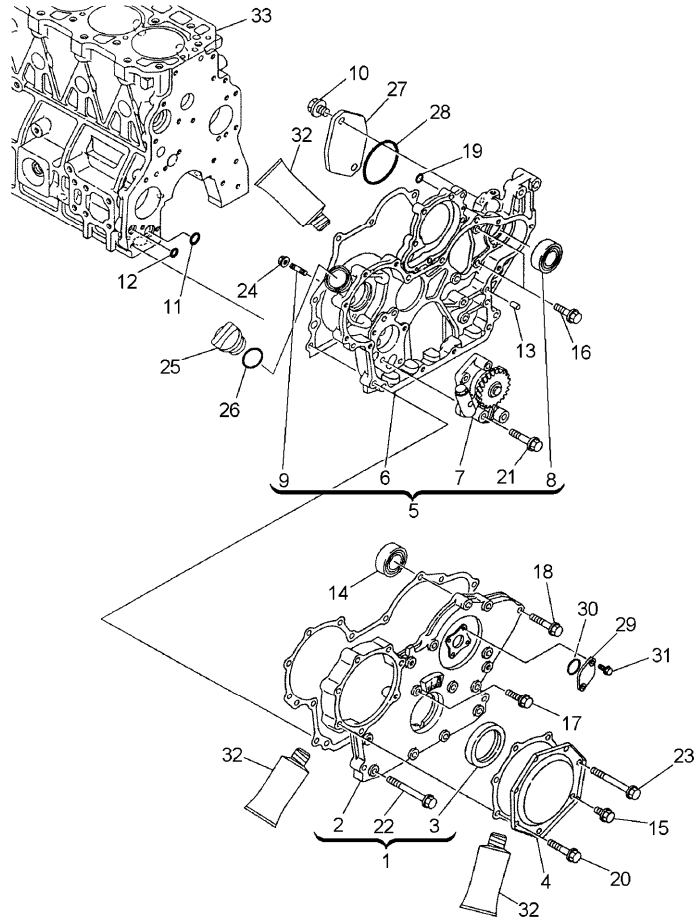
Trekker C Tier2\000020001.png

A-01  
03



A0103

Gear covers - engine yanmar "4tne 94"



		Inglese	
20	3653862M1		5 Bolt
21	3653863M1	! 5	3 Bolt
22	3664449M1	! 1	6 Bolt
23	3664449M1		1 Bolt
24	3666906M1		4 Nut
25	3664430M1	● 3653315M1(1)	1 Plug
		T-A 0:25	
26	3653835M1	T-A 0:25	1 O ring
27	3653300M1	T-A 4:75	1 Cover
28	3653839M1	T-A 4:75	1 O ring
29	3653299M1	T-A 0:25	1 Cover
30	3653841M1	T-A 0:25	1 O ring
31	3653853M1		2 Bolt
32	3653908M1	● 3653908M2(1)	1 Gasket
		(X)	
33		⊕ A-01 02 1	1 Cylinder block

- ! This is a component of an assembly
- ⊕ See page - reference number
- 📦 Not serviced, order
- Replacement
- (X) Qty per tractors sold (aa.bbb.ccc.ddd) (aa) for 1,(bbb) 2-10 (ccc) 11-25 (ddd) 26-50
- T-A Replacement
- A For model tier 1



Engine

T Series Compact (2001-2009) - CT00 - T60 F

A-01  
035

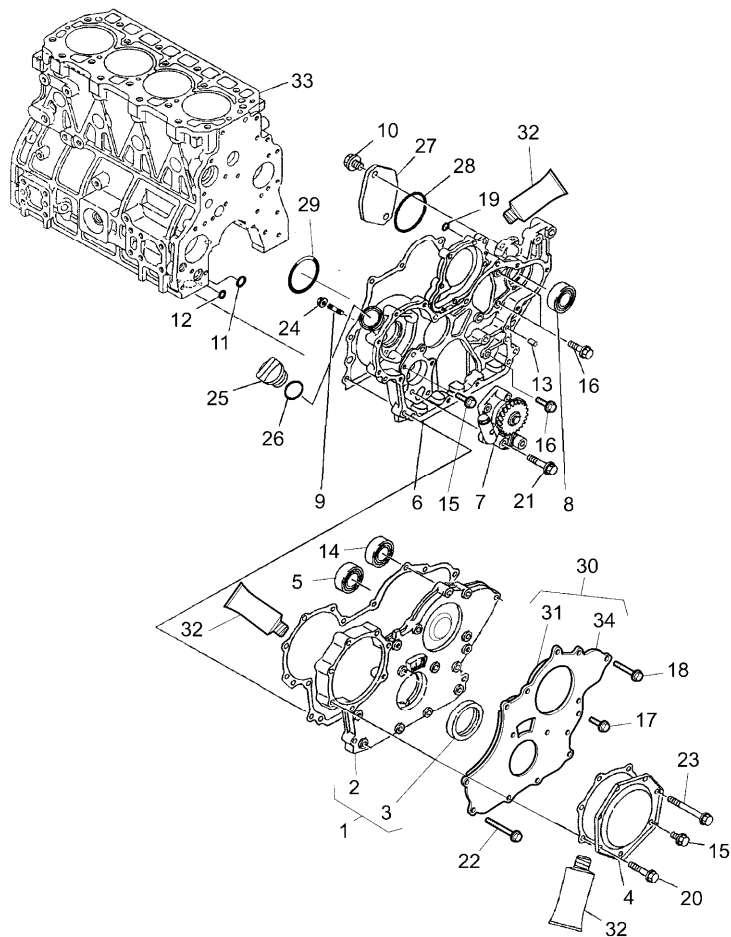


A01035

Gear covers - engine yanmar "4tnv 94l/nlan"

Trekker C Tier2\00012248.png

Inglese



-	A		
1	3679647M1	T-A 4:75	1 Coperch.
2		▶ Ref.n.1	1 Cover
		! 1	
3	3664571M1	! 1	1 Seal
		(X) 1.3.5.	
		T-A 2:50	
4	3679648M1	T-A 0:50	1 Coperch.
5	3679651M1	(X) 1.3.5.	1 Bearing roller
		T-A 4:75	
6	3679649M1	T-A 4:75	1 Box
7	3679650M1	T-A 4:75	1 Pump
8	3664667M1	T-A 4:75	1 Bearing
9	3666904M1		4 Stud
10	3679654M1		2 Bolt
11	3664669M1	T-A 4:75	1 O ring
12	3664670M1	T-A 4:75	1 O ring
13	3653378M1		4 Dowel
14	3664667M1	T-A 4:75	1 Bearing
15	3653858M1		2 Bolt
16	3653859M1		3 Bolt
17	3653858M1		3 Bolt
18	3653862M1		5 Bolt
19	3665019M1		1 O ring
20	3653862M1		5 Bolt

Engine

T Series Compact (2001-2009) - CT00 - T60 F

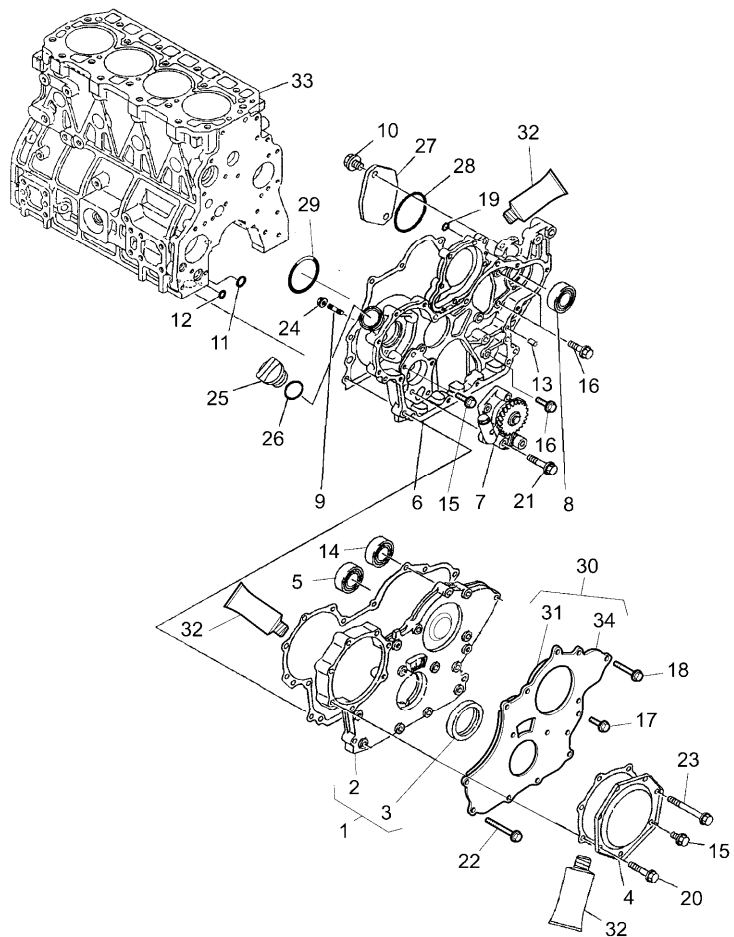
**A-01  
035**



A01035

Gear covers - engine yanmar "4tnv 94l/nlan"

Trekker C Tier2\00012248.png



**Inglese**

21	3653863M1	!	5	3	Bolt
22	3664449M1	!	1	6	Bolt
23	3664449M1			1	Bolt
24	3666906M1			4	Nut
25	3653315M1	T-A	0:25	1	Plug
26	3653835M1	T-A	0:25	1	O ring
27	3653300M1	T-A	4:75	1	Cover
28	3653839M1	T-A	4:75	1	O ring
29	3679653M1	T-A	4:75	1	Ring
30	3679655M1	T-A	1:50	1	Coperch.
31	3679656M1	!	30	1	Rubber sponge
		T-A	1:50		
32	3653908M1	●	3653908M2(1)	1	Gasket
33		◁	A-01 025 1	1	Cylinder block
34		!	30	1	Cover
		▶	Ref.n.30		

! This is a component of an assembly

◁ See page - reference number

▶ Not serviced, order

● Replacement

(X) Qty per tractors sold (aa.bbb.ccc.ddd) (aa) for 1,(bbb) 2-10 (ccc) 11-25 (ddd) 26-50

T-A Replacement

A For model tier 2

Engine

T Series Compact (2001-2009) - CT00 - T60 F

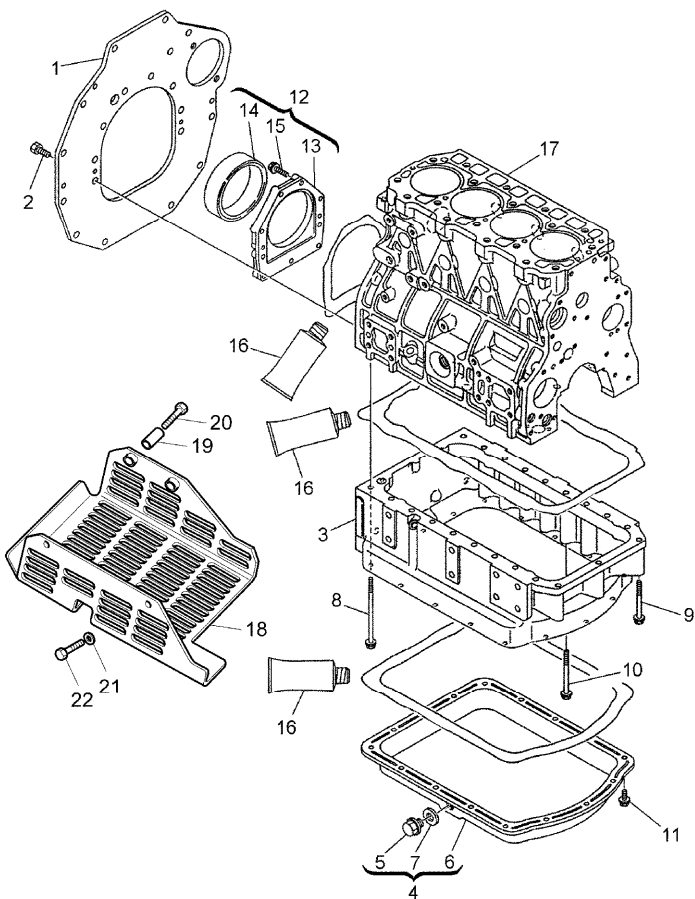
A-01  
04



A0104

Flywheel housing - engine yanmar "4tne 94"

Trekker C Tier2\000031.261.png



Inglese

-	A		
1	3664544M1	T-A 6:0	1 Housing
2	3666901M1		9 Bolt
3	3664970M1	T-A 4:0	1 Pan
4	3664546M1	● 3674110M1(1)	1 Cover
		T-A 1:50	
5	3653253M1	! 4	1 Plug
		T-A 0:25	
6		➡ Ref.n.4	1 Cover
		! 4	
7	3653811M1	! 4	1 Seal
		T-A 0:25	
8	3664975M1		2 Bolt
9	3664450M1		3 Bolt
10	3653351M1		16 Bolt
11	3653856M1		16 Bolt
12	3664969M1	T-A 11:0	1 Support
13		➡ Ref.n.12	1 Support
		! 12	
14	3664433M1	! 12	1 Seal
		(X) 1.3.5.	
		T-A 6:0	
15	3666895M1	! 12	9 Bolt
16	3653908M1	● 3653908M2(1)	1 Gasket
17		⊕ A-01 02 1	1 Cylinder block

Engine

T Series Compact (2001-2009) - CT00 - T60 F

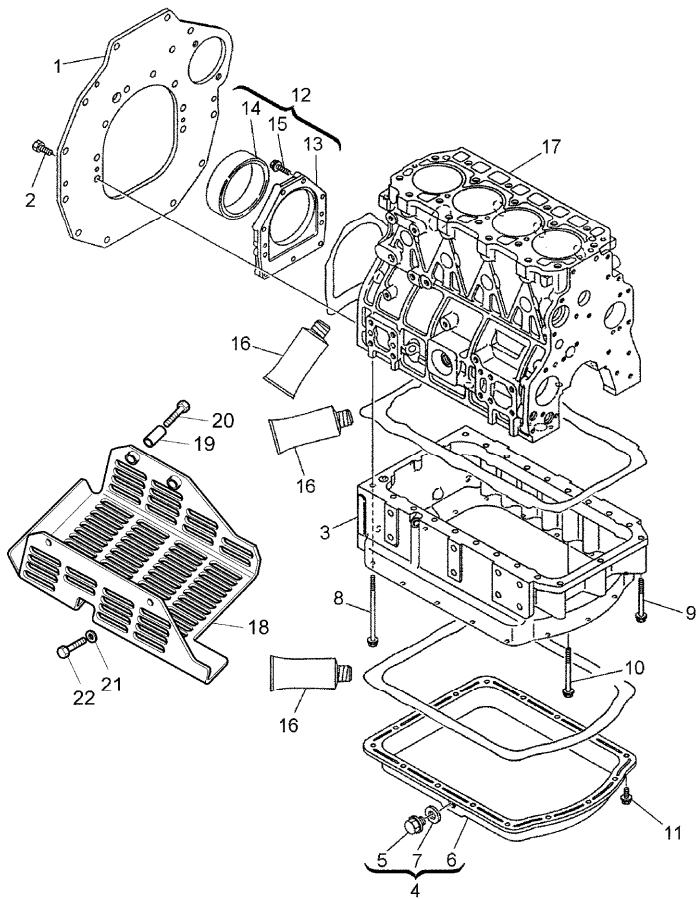
A-01  
04




A0104

Flywheel housing - engine yanmar "4tne 94"

Trekker C Tier2\000031.261.png




Inglese

- 18 3676765M91
- 19 3676775M1
- 20 390913X1 M12x85
- 21 390735X1  Substitutions error
- 22 3010763X1 M12x60

- 1 Guard
- 2 Spacer
- 2 Screw
- 4 Washer
- 2 Screw

! This is a component of an assembly

 See page - reference number

 Not serviced, order

 Replacement

(X) Qty per tractors sold (aa.bbb.ccc.ddd) (aa) for 1,(bbb) 2-10 (ccc) 11-25 (ddd) 26-50

T-A Replacement

A For model tier 1

Engine

T Series Compact (2001-2009) - CT00 - T60 F

**A-01  
045**

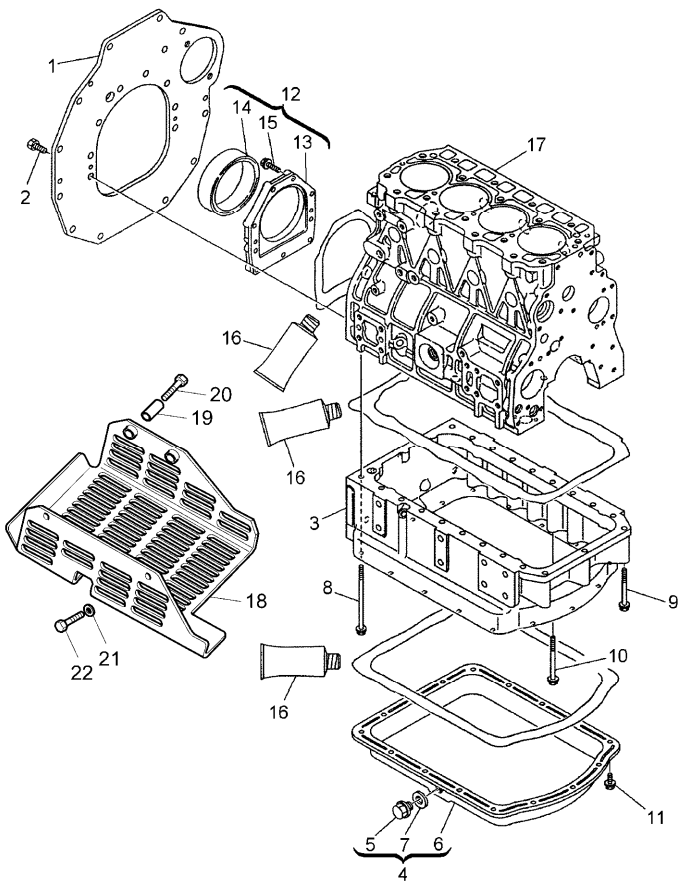


A01045

Flywheel housing - engine yanmar "4tnv 94l/nlan"

Trekker C Tier2\00012267.png

Inglese



-	A		
1	3679657M1	T-A 6:0	1 Housing
2	3666901M1		9 Bolt
3	3664970M1	T-A 4:0	1 Pan
4	3674110M1	T-A 1:50	1 Coperch.
5	3653253M1	! 4	1 Plug
		T-A 0:25	
6		➡ Ref.n.4	1 Cover
		! 4	
7	3653811M1	! 4	1 Seal
		T-A 0:25	
8	3664975M1		2 Bolt
9	3664450M1		3 Bolt
10	3653351M1		16 Bolt
11	3653856M1		16 Bolt
12	3664969M1	! 10	1 Support
		T-A 11:0	
13		➡ Ref.n.12	1 Support
		! 12	
14	3664433M1	! 12	1 Seal
		(X) 1.3.5.	
		T-A 6:0	
15	3666895M1		9 Bolt
16	3653908M1	● 3653908M2(1)	1 Gasket
17		👁 A-01 025 1	1 Cylinder block

Engine

T Series Compact (2001-2009) - CT00 - T60 F

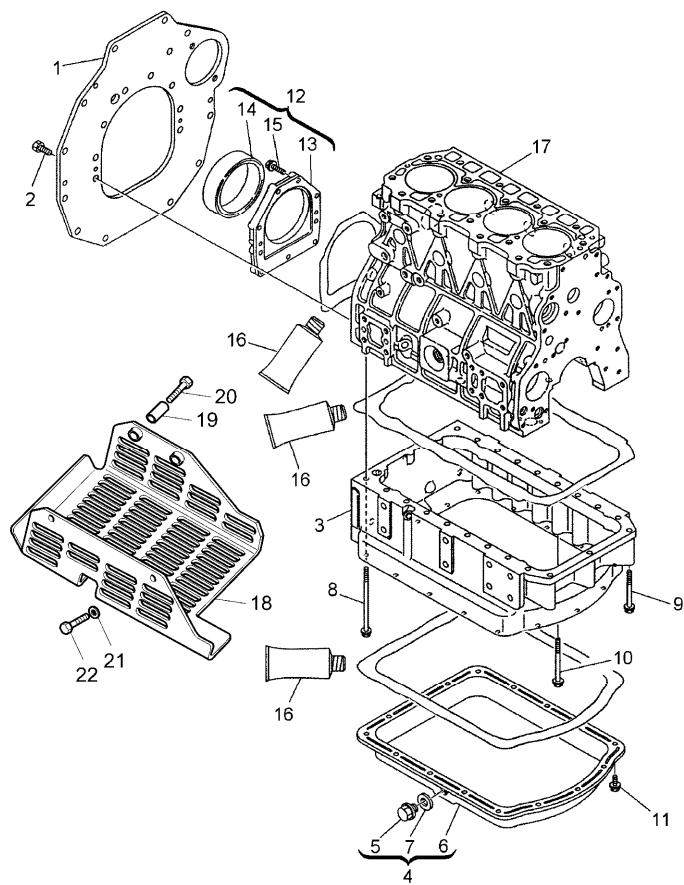
A-01  
045



A01045

Flywheel housing - engine yanmar "4tnv 94l/nlan"

Trekker C Tier2\00012267.png



Inglese

18	3676765M91	T-A	0:25	1	Guard
19	3676775M1			2	Spacer
20	390913X1		M12x85	2	Screw
21	390735X1	●	Substitutions error	4	Washer
22	3010763X1		M12x60	2	Screw

! This is a component of an assembly

👁 See page - reference number

📄 Not serviced, order

● Replacement

(X) Qty per tractors sold (aa.bbb.ccc.ddd) (aa) for 1,(bbb) 2-10 (ccc) 11-25 (ddd) 26-50

T-A Replacement

A For model tier 2

***Buy Now***



Our support email:

[ebooklibonline@outlook.com](mailto:ebooklibonline@outlook.com)