

Engine

Gx series tier 3 (2004-2007) - RP81 - GX40 / GXH40

RP81\00012552.png

A-05
01



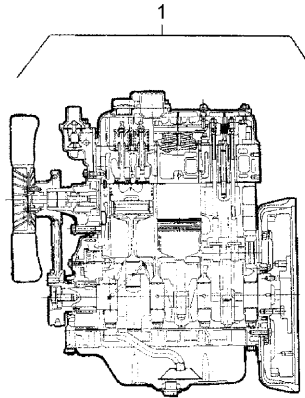
A0501

Engine assembly - engine yanmar type "3tnv 88"

Inglese

1 3669986M91 ● 3669986M92(1) 1 Engine
T-A 13:0
T-B 31:0

● Replacement
T-A Replacement
T-B Overhaul



Engine

Gx series tier 3 (2004-2007) - RP81 - GX40 / GXH40

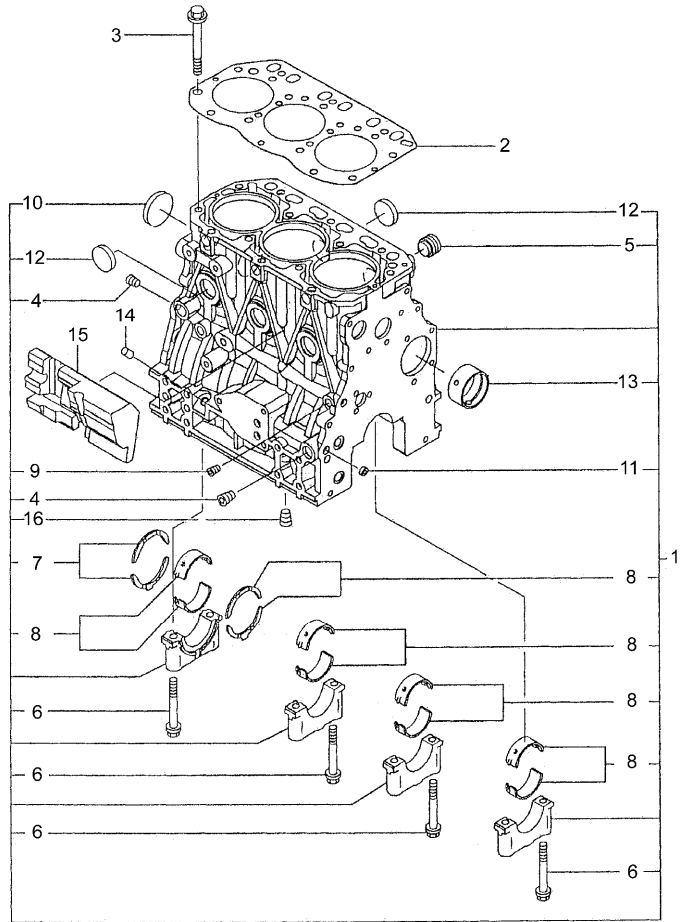
A-05
02



A0502

Cylinder block - engine yanmar type "3tnv 8"

RP81\000012927.png



		Inglese
1	3671397M1	1 Guard
2	3653335M1 T-A 5:0	1 Gasket
3	3653428M1	18 Stud
4	3653316M1 ! 1 T-A 0:25	2 Plug
5	3653796M1 ! 1 T-A 0:25	1 Plug
6	3653429M1 ! 1	10 Bolt
7	3653432M1 ! 1	2 Ring
	● 4215968M1(2) T-A 16:50	
7	3653433M1 ! 1	2 Ring
	● 4215970M1(2) A T-A 16:50	
8	3653431M1 ! 1	5 Ring
	● 3653431M2(5) B T-A 16:50	
8	3680175M1 ! 1	5 Kit
	● 4215967M1(1) T-A 16:50	
9	3678007M1 ! 1 T-A 0:25	1 Plug

Engine

Gx series tier 3 (2004-2007) - RP81 - GX40 / GXH40

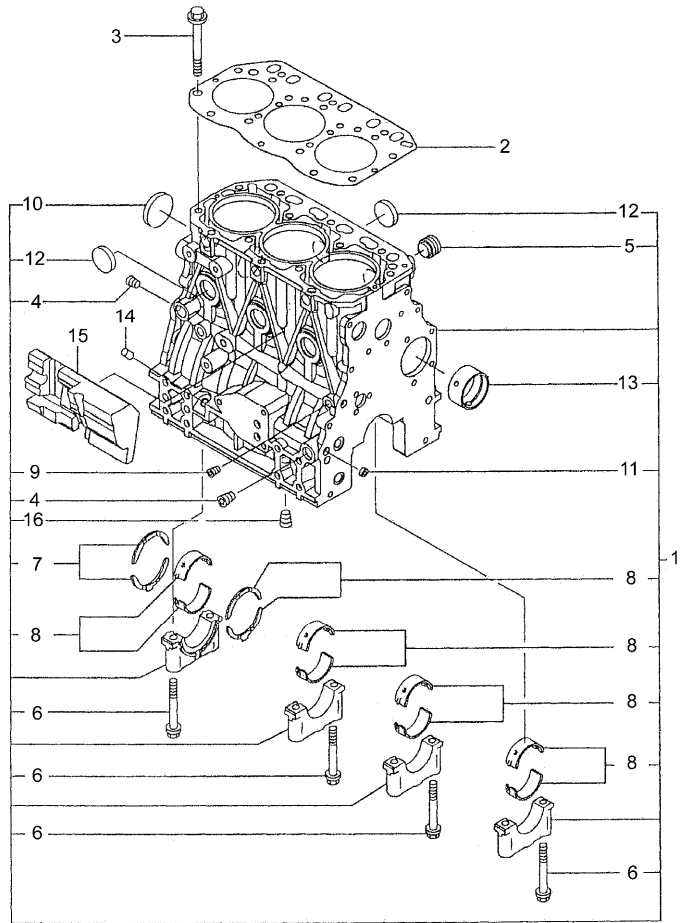
RP81\000012927.png

A-05
02



A0502

Cylinder block - engine yanmar type "3tnv 8"



			Inglese
10	3680174M1	! 1	1 Plug
	● 3664445M1(1)		
	T-A 0:75		
11	3653888M1	! 1	2 Plug
12	3653889M1	! 1	8 Plug
	● 3653889M2(8)		
	T-A 0:75		
13	3653791M1	! 1	1 Bearing
	T-A 31:0		
14	3677943M1	! 1	1 Plug
15	3678014M1	! 1	1 Spacer
16	3653316M1	! 1	1 Plug
! This is a component of an assembly			
● Replacement			
T-A Replacement			
A Over-size (0,25mm) part.			
B Under-size (0,25mm) part.			

Engine

Gx series tier 3 (2004-2007) - RP81 - GX40 / GXH40

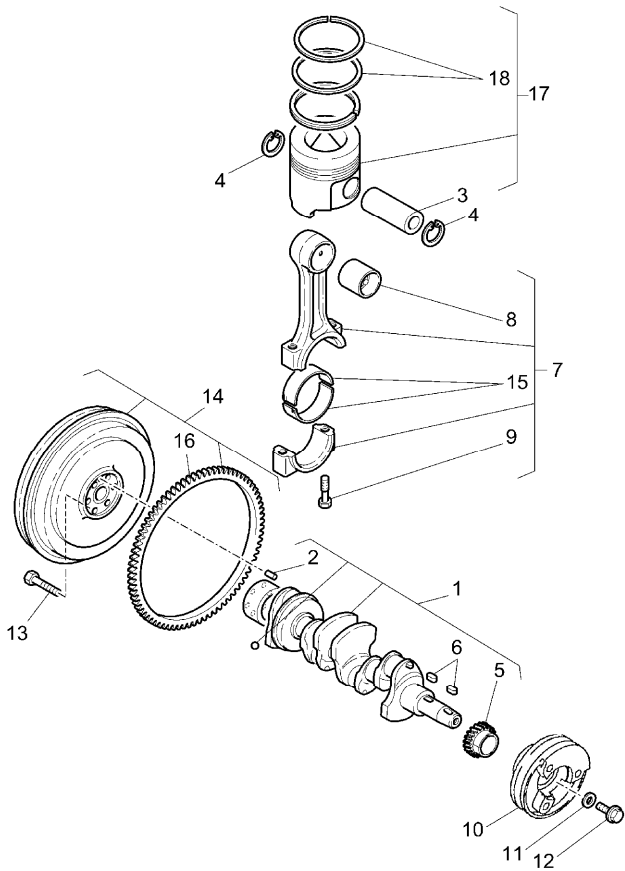
RP81\000012928.png

A-05
03



A0503

Crankshaft, pistons and connecting rods - - engine yanmar type "3tnv 88"



				Inglese
1	3681382M1	T-A 15:0		1 Shaft
		T-B 17:0		
2	3653378M1	!	1	1 Dowel
3	3653731M1	T-A 17:0		4 Cotter
4	3653815M1			8 Clip
5	3653820M1	!	1	2 Key
		T-A 20:0		
6	3677974M1	!	1	1 Gear
		● 4206674M1(1)		
		T-A 20:0		
7	3653897M1	T-A 17:0		4 Conrod
8	3653383M1	!	7	4 Bearing
		T-A 17:0		
9	3653307M1	!	7	8 Bolt
10	3653362M1	T-A 2:0		1 Pulley
11	3653794M1			1 Washer
12	3653309M1			1 Bolt
13	3653301M1			6 Bolt
14	3653361M1	T-A 10:25		1 Flywheel
15	3653450M1	!	7	4 Bearing
		● 4216034M1(4)		
		T-A 17:0		
15	3653451M1	!	7	4 Bearing
		B		
		T-A 17:0		

Engine

Gx series tier 3 (2004-2007) - RP81 - GX40 / GXH40

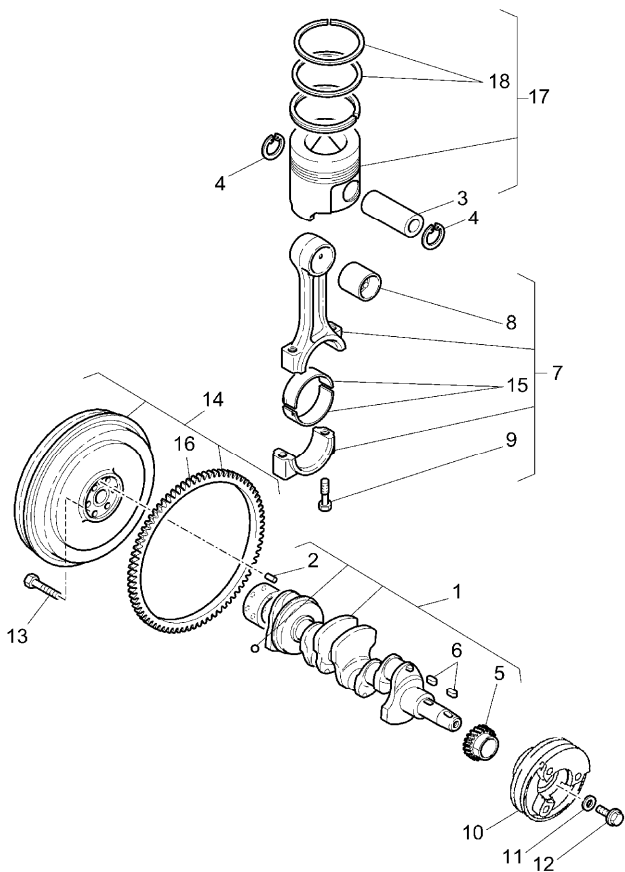
RP81\000012928.png

**A-05
03**



A0503

Crankshaft, pistons and connecting rods - - engine yanmar type "3tnv 88"



16	3653297M1	!	14
		T-A	10:25
17	3680221M1	T-A	17:0
17	3680222M1	A	
		T-A	17:0
18	3678015M1	!	17
		T-A	17:0
18	3678016M1	!	17
		A	
		T-A	17:0

Inglese

1	Crownwheel
4	Piston
4	Piston
4	Kit
4	Kit

- ! This is a component of an assembly
- Replacement
- T-A Replacement
- T-B Overhaul
- A Over-size (0,25mm) part.
- B Under-size (0,25mm) part.

Engine

Gx series tier 3 (2004-2007) - RP81 - GX40 / GXH40

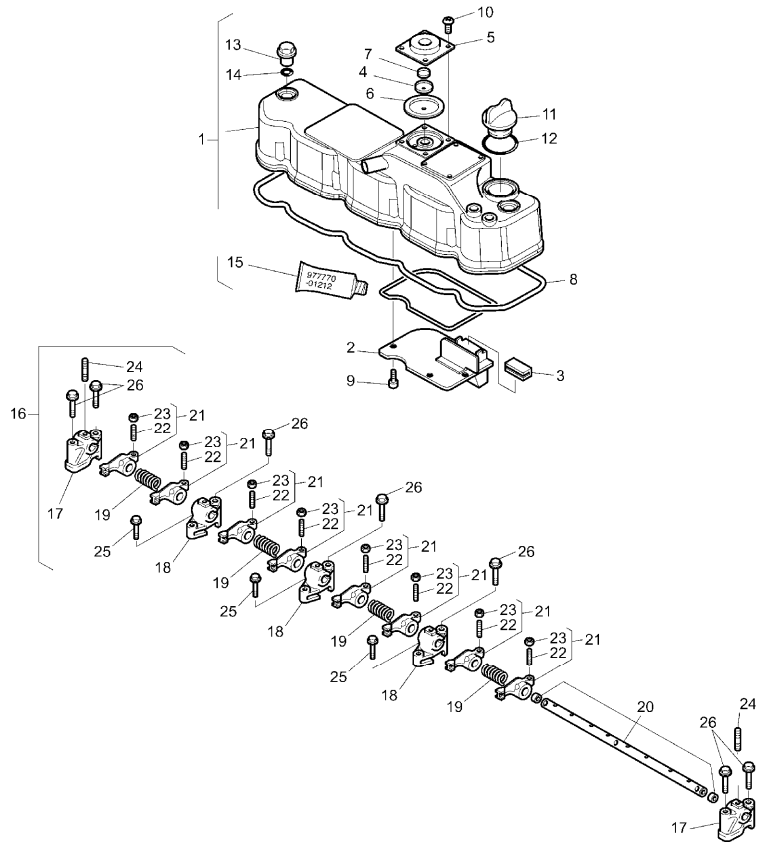
RP81\00012557.png

A-05
04



A0504

Cylinder head - rocker shaft - engine yanmar type "3tnv 88"



				Inglese
1	3681380M1	T-A	1:50	1 Coperch.
2	3680191M1	!	1	1 Plate
3	3653435M1	!	1	1 Guard
4	3680210M1	!	1	1 Plate
5	3680211M1	!	1	1 Coperch.
6	3680212M1	!	1	1 Diaphragm
7	3680213M1	!	1	1 Spring
8	3681379M1	!	1	1 Gasket
9	3665010M1	T-A	1:50	4 Screw
			M5x10	
10	3665010M1	!	1	4 Screw
			M5x10	
11	3653315M1	!	1	1 Plug
		T-A	0:25	
12	3653835M1	!	1	1 O ring
13	3653317M1	!	1	3 Plug
14	3653831M1	!	1	3 O ring
15	3653908M1	!	1	1 Gasket
	●		3653908M2(1)	
16	3681377M1	T-A	2:75	1 Shaft
17	3680185M1	!	16	2 Support
		T-A	2:0	
18	3680186M1	!	16	3 Support
		T-A	2:0	

Engine

Gx series tier 3 (2004-2007) - RP81 - GX40 / GXH40

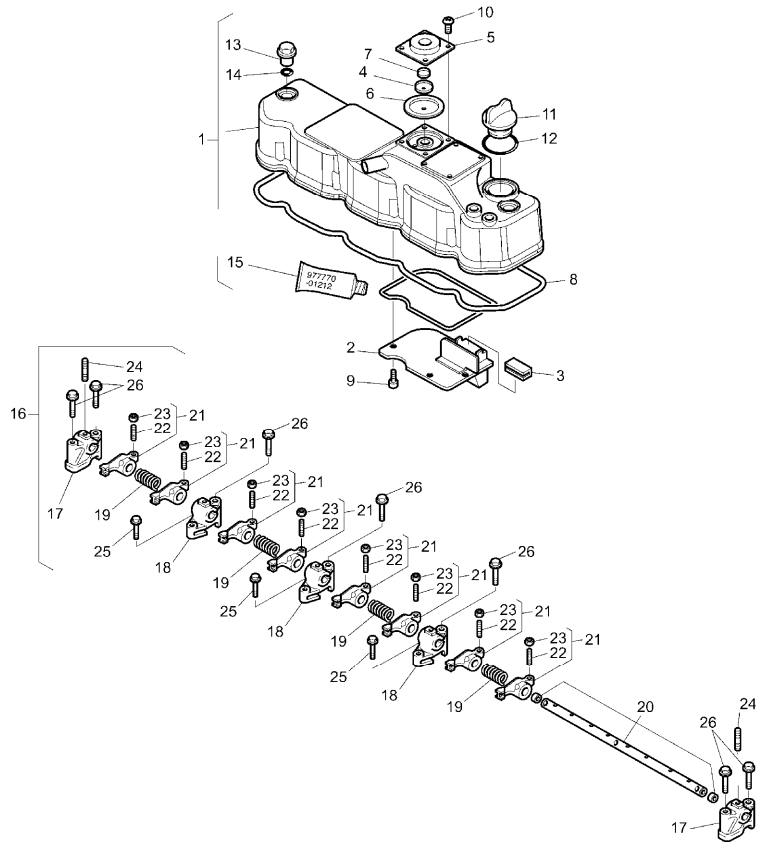
RP81\00012557.png

A-05
04



A0504

Cylinder head - rocker shaft - engine yanmar type "3tnv 88"



				Inglese
19	3653440M1	!	16	4 Spring
20	3681378M1	!	16	1 Shaft
21	3680188M1	!	16	8 Cam
		T-A	2:0	
22	3653439M1	!	21	8 Screw
		T-A	1:50	
23	3653444M1	!	21	8 Nut
		T-A	1:50	
24	3681374M1	!	16	3 Stud
25	3653860M1	!	16	3 Bolt
			M8x25	
26	3653864M1	!	16	7 Bolt
			M8x50	

- ! This is a component of an assembly
- Replacement
- T-A Replacement

Engine

Gx series tier 3 (2004-2007) - RP81 - GX40 / GXH40

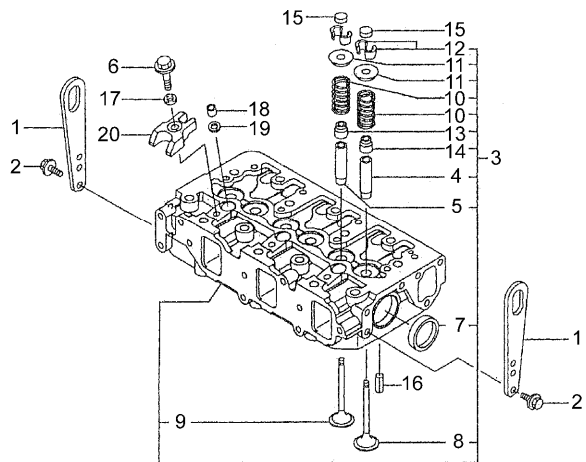
RP81\000012929.png

**A-05
045**



A05045

Cylinder head - rocker shaft - engine yanmar type "3tnv 88"



		Inglese
1	3664580M1	2 Stirrup
2	3653857M1	4 Bolt
3	3681386M1	1 Head
	T-A 5:0	
	T-B 8:75	
4	3653298M1	4 Guide
	! 3	
	T-A 8:75	
5	3653445M1	4 Guide
	! 3	
	T-A 8:75	
6	3653861M1	4 Bolt
	! 3	
	M8x35	
7	3653890M1	2 Plug
	! 3	
8	3681364M1	3 Valve
	! 3	
	T-A 7:75	
9	3653381M1	3 Valve
	! 3	
	● 3653381M2(3)	
	T-A 7:75	
10	3653792M1	8 Spring
	! 3	
	T-A 7:75	
11	3653793M1	8 Nameplate
	! 3	
	T-A 7:75	
12	3680181M1	8 Clip
	! 3	
13	3653304M1	4 Thimble
	! 3	
	T-A 7:75	
14	3653323M1	4 Thimble
	! 3	
	T-A 7:75	

Engine

Gx series tier 3 (2004-2007) - RP81 - GX40 / GXH40

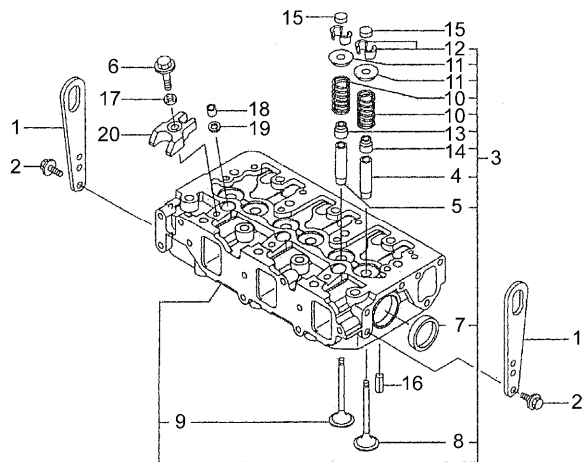
RP81\000012929.png

**A-05
045**



A05045

Cylinder head - rocker shaft - engine yanmar type "3tnv 88"



			Inglese
15	3653443M1	! 3	8 Shim
		T-A 7:75	
16	3653818M1	! 3	2 Pin
17	3680183M1	! 3	4 Washer
18	3677971M1	! 3	4 Guard
19	3653266M1	! 3	4 Washer
20	3680182M1	! 3	4 Clip
21		<> A-05 04	4 Clip

! This is a component of an assembly

<> See page - reference number

● Replacement

T-A Replacement

T-B Overhaul

Engine

Gx series tier 3 (2004-2007) - RP81 - GX40 / GXH40

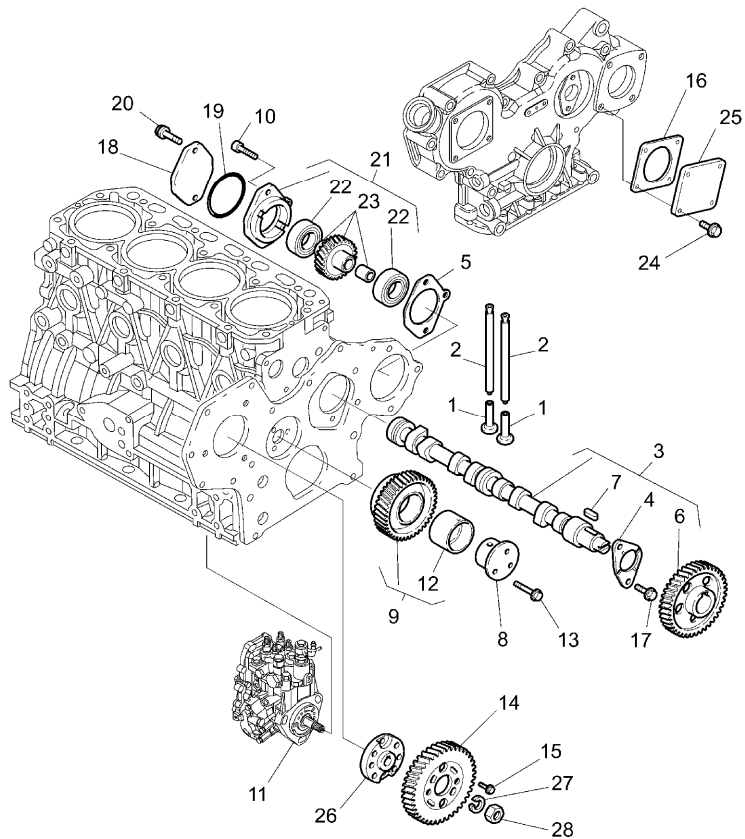
RP81\00012559.png

A-05
05



A0505

Timing gear and camshaft - - engine yanmar type "3tnv 88"



Inglese

1	3653447M1	T-A	31:0	8	Tappet
2	3653448M1	T-A	2:75	8	Rod
3	3653400M1	T-A	31:0	1	Shaft
4	3653430M1	!	3	1	Plate
		T-A	31:0		
5	3653800M1	T-A	1:0	1	Gasket
6	3653446M1	!	3	1	Gear
		T-A	31:0		
7	3653820M1	!	3	1	Key
		T-A	31:0		
8	3677975M1	T-A	9:50	1	Shaft
9	3677977M1	T-A	9:50	1	Gear
10	3653879M1		M8x28	1	Bolt
11		⊕	A-05 12 27	1	Pump
12	3677976M1	!	9	1	Bush
		T-A	9:50		
13	3653862M1		M8x40	3	Bolt
14	3677978M1	T-A	9:25	1	Gear
15	3664454M1			4	Screw
16	3653321M1	T-A	0:50	1	Gasket
17	3653857M1		M8x14	2	Bolt
18	3653300M1	T-A	0:50	1	Cover
19	3653839M1	T-A	0:50	1	O ring
20	3653869M1		M10x45	2	Bolt
21	3653363M1	T-A	1:0	1	Kit

Engine

Gx series tier 3 (2004-2007) - RP81 - GX40 / GXH40

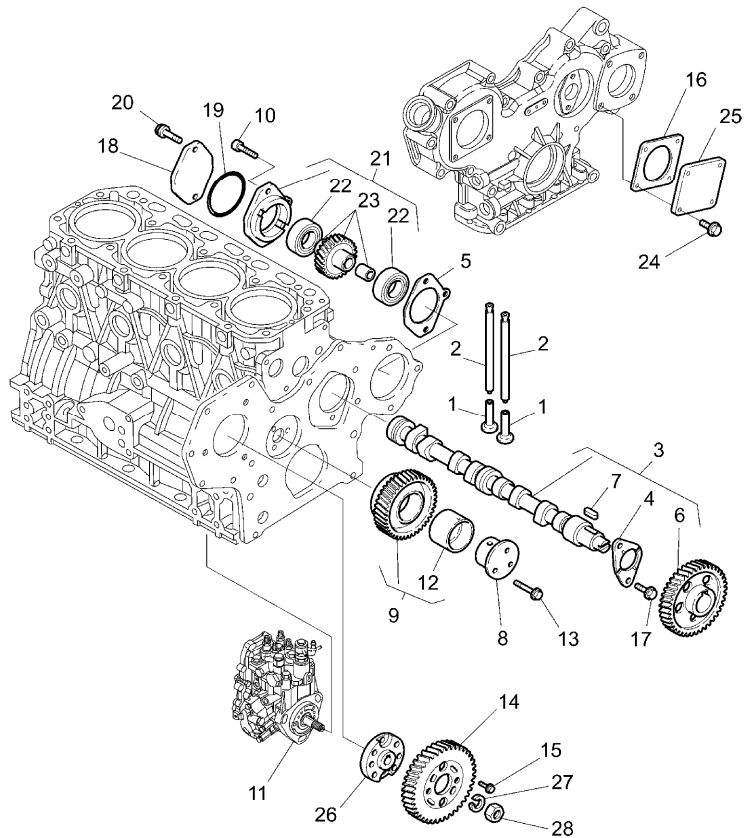
RP81\00012559.png

A-05
05



A0505

Timing gear and camshaft - - engine yanmar type "3tnv 88"



		Inglese			
22	3653830M1	!	21	2	Bearing
		T-A	1:50		
23	3653364M1	!	21	1	Gear
		T-A	1:50		
24	3653858M1		M8x16	4	Bolt
25	3653320M1	T-A	0:50	1	Cover
26	3678298M1	T-A	9:25	1	Flange
27	3678300M1			1	Washer
28	3678315M1			1	Nut
!		This is a component of an assembly			
⊕		See page - reference number			
T-A		Replacement			

Engine

Gx series tier 3 (2004-2007) - RP81 - GX40 / GXH40

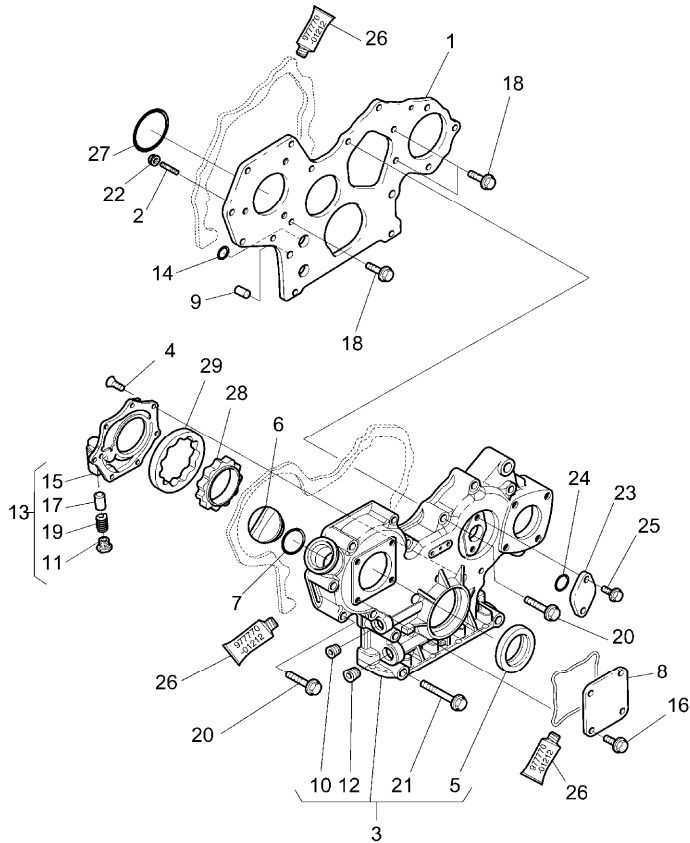
RP81\000012930.png

**A-05
06**



A0506

Distribution cover - engine yanmar type "3tnv 88"



				Inglese
1	3678023M1	T-A 4:75		1 Flange
2	3677969M1	M8x25		3 Stud
3	3680176M1	T-A 4:75		1 Coperch.
4	3677981M1	M6x16		7 Screw
5	3653788M1	!	3	1 Seal
			72x55x9	
		T-A 2:50		
6	3653315M1			1 Plug
7	3653835M1	!	6	1 O ring
		T-A 0:25		
8	3653320M1			1 Coperch.
9	3653789M1			2 Bush
10	3665018M1	!	3	1 Plug
11	3678013M1	!	13	1 Plug
12	3678309M1	!	3	1 Plug
13	3677980M1	T-A 4:75		1 Cover
14	3677944M1			4 Ring
15	3677979M1	!	13	1 Cover
16	3653858M1		M8x16	4 Bolt
17	3678295M1	!	13	1 Valve
		T-A 4:75		
18	3653858M1		M8x16	3 Bolt
19	3678043M1	!	13	1 Spring
20	3653865M1		M8x55	11 Bolt

Engine

Gx series tier 3 (2004-2007) - RP81 - GX40 / GXH40

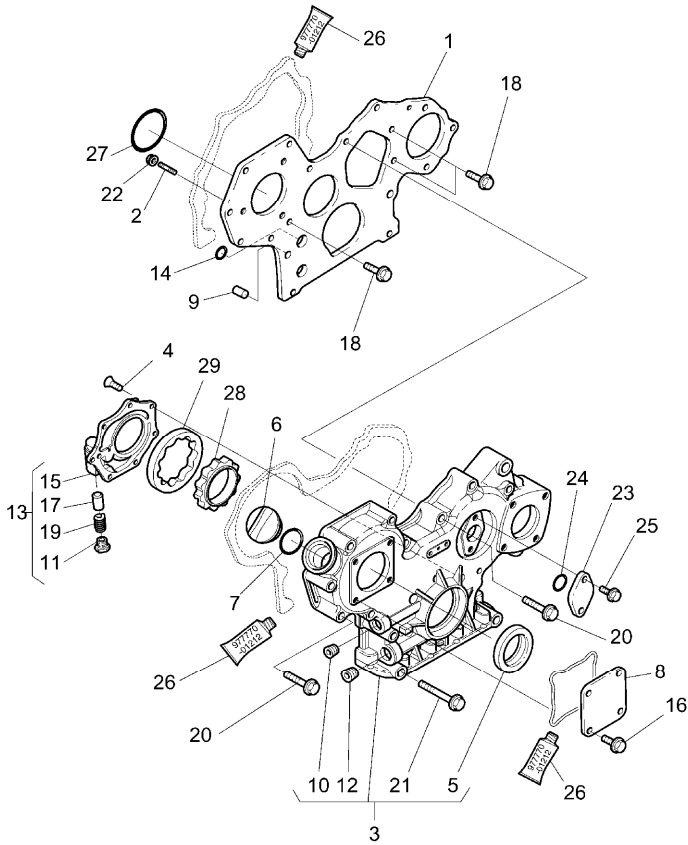
RP81\000012930.png

**A-05
06**



A0506

Distribution cover - engine yanmar type "3tnv 88"



				Inglese
21	3664450M1	!	3	3 Bolt
			M8x85	
22	3666905M1		3	Nut
23	3653299M1	T-A	0:25	1 Cover
24	3653841M1	T-A	0:25	1 O ring
25	3653853M1		M6x16	2 Bolt
26	3653908M1	●	3653908M2(1)	1 Gasket
		A		
27	3653310M1		1	O ring
28	3680177M1	T-A	4:75	1 Rotor
29	3680178M1	T-A	4:75	1 Rotor

! This is a component of an assembly

● Replacement

T-A Replacement

A For application, refer to workshop manual

Engine

Gx series tier 3 (2004-2007) - RP81 - GX40 / GXH40

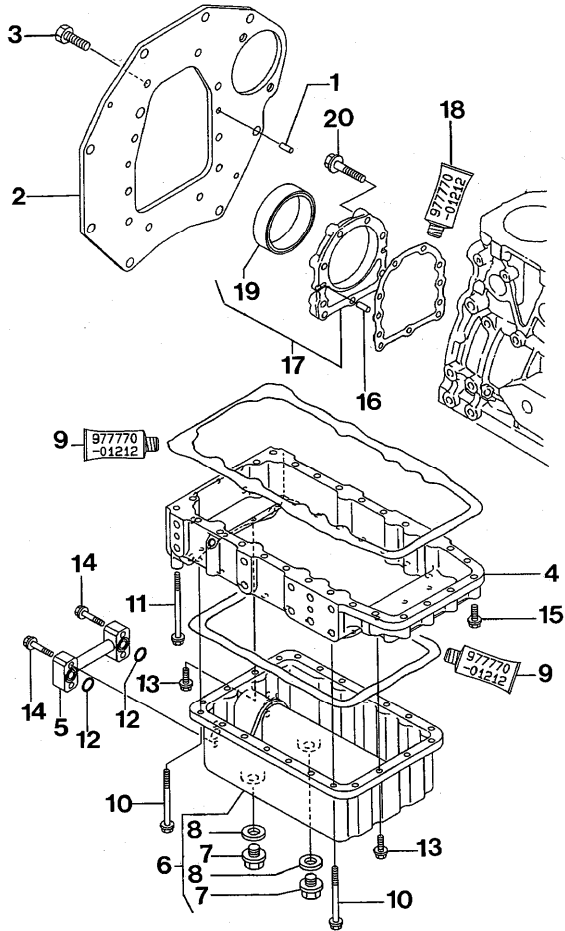
RP81\00001365.png

A-05
07



A0507

Lubricating oil pump and delivery housing - - engine yanmar type "3tnv 88"



		Inglese
1	3653378M1	2 Dowel
2	3653357M1	1 Flange
3	3653872M1	8 Bolt
4	3653940M1	1 Spacer
	● N.L.A.(1)	
	T-A 5:75	
5	3653358M1	1 Spacer
6	3653359M1	1 Pan
7	3653253M1	2 Plug
	! 6	
	T-A 0:50	
8	3653811M1	2 Seal
	! 6	
9	3653908M1	1 Gasket
	● 3653908M2(1)	
	A	
10	3653351M1	14 Bolt
11	3653352M1	4 Bolt
12	3653834M1	2 O ring
13	3653860M1	6 Bolt
14	3653862M1	4 Bolt
15	3653860M1	4 Bolt
16	3653378M1	2 Dowel
17	3653379M1	1 Housing
	● 4206673M1(1)	
	T-A 10:75	
18	3653908M1	1 Gasket
	● 3653908M2(1)	
	A	
	T-A 10:75	

Buy Now



Our support email:

ebooklibonline@outlook.com