

Engine

Gx series tier 3 (2004-2007) - RP81 - GX45 / GXH45

RP81\00012553.png

A-05  
01



A0501

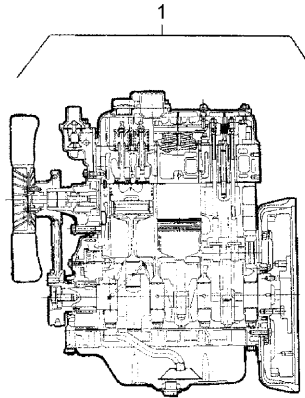
Engine assembly - engine yanmar type "4tnv 84"

Inglese

- 1 3669987M91 ● 3668191M91(1), 3669987M92(1)
- T-A 13:0
- T-B 31:0

1 Engine

- Replacement
- T-A Replacement
- T-B Overhaul



Engine

Gx series tier 3 (2004-2007) - RP81 - GX45 / GXH45

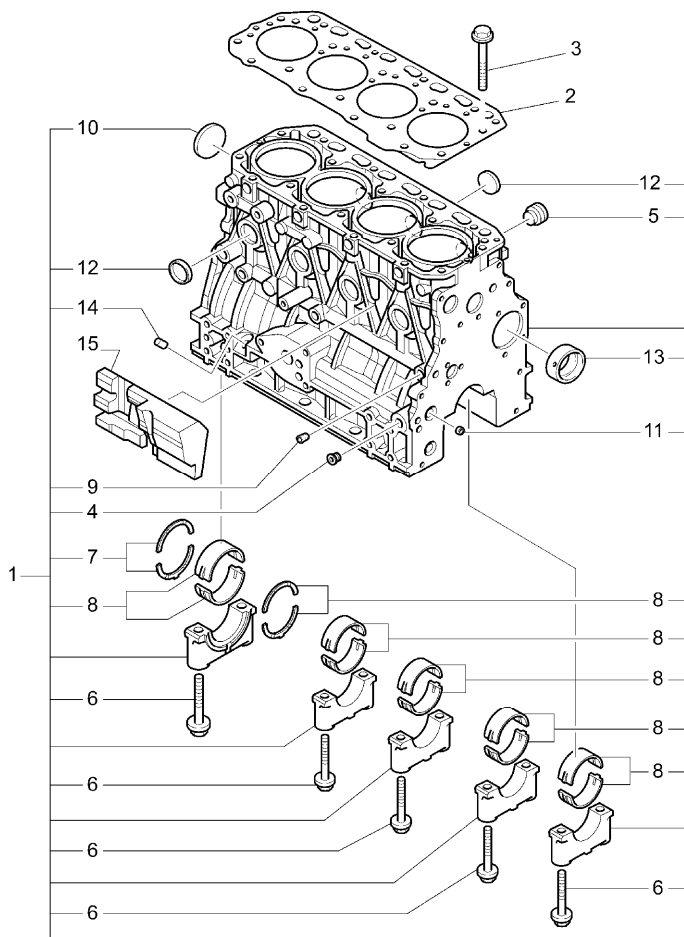
A-05  
02



A0502

Cylinder block - engine yanmar type "4tnv 84"

RP81\00012555.png



				Inglese
1	3680173M1	T-A 33:0		1 Kit
2	3653754M1	T-A 5:50		1 Gasket
3	3653428M1			18 Stud
4	3653316M1	! 1		2 Plug
		T-A 0:25		
5	3653796M1	! 1		1 Plug
		T-A 0:25		
6	3653429M1	! 1		10 Bolt
7	3653432M1	! 1		2 Ring
		● 4215968M1(2)		
		T-A 16:50		
7	3653433M1	● 4215970M1(2)		2 Ring
		A		
		T-A 16:50		
8	3653431M1	● 3653431M2(5)		5 Ring
		B		
		T-A 16:50		
8	3680175M1	! 1		5 Kit
		● 4215967M1(1)		
		T-A 16:50		
9	3678007M1	! 1		1 Plug
		T-A 0:25		
10	3680174M1	! 1		1 Plug
		● 3664445M1(1)		
		T-A 0:75		
11	3653888M1	! 1		2 Plug

Engine

Gx series tier 3 (2004-2007) - RP81 - GX45 / GXH45

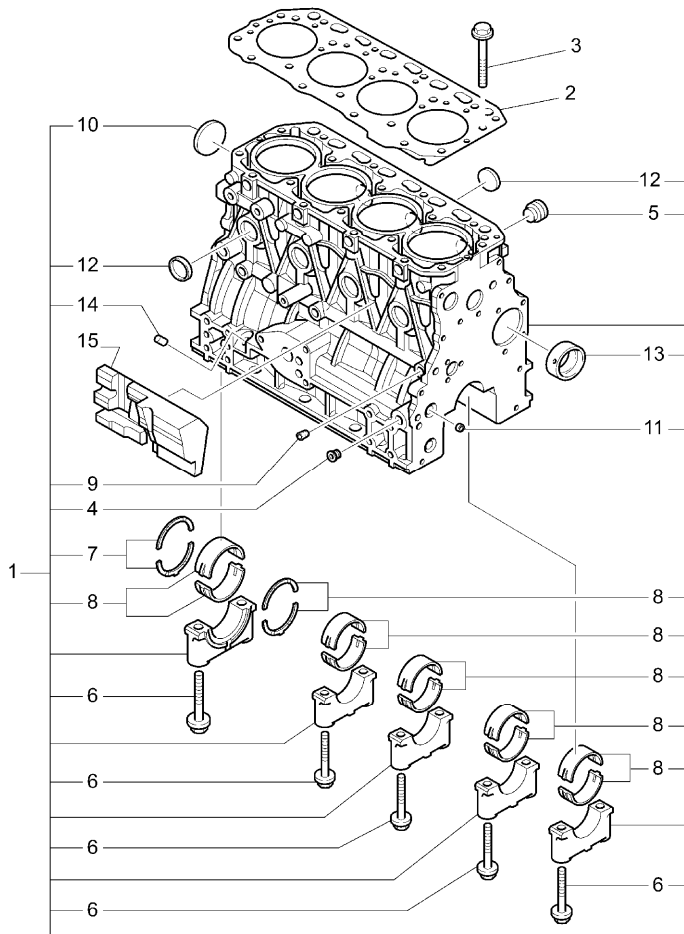
A-05  
02



A0502

Cylinder block - engine yanmar type "4tnv 84"

RP81\00012555.png



		Inglese		
12	3653889M1	!	1	8 Plug
		●	3653889M2(8)	
		T-A	0:75	
13	3653791M1	!	1	1 Bearing
		T-A	31:0	
14	3677943M1	!	1	1 Plug
15	3678014M1	!	1	1 Spacer
		!	This is a component of an assembly	
		●	Replacement	
		T-A	Replacement	
		A	Over-size (0,25mm) part.	
		B	Under-size (0,25mm) part.	

Engine

Gx series tier 3 (2004-2007) - RP81 - GX45 / GXH45

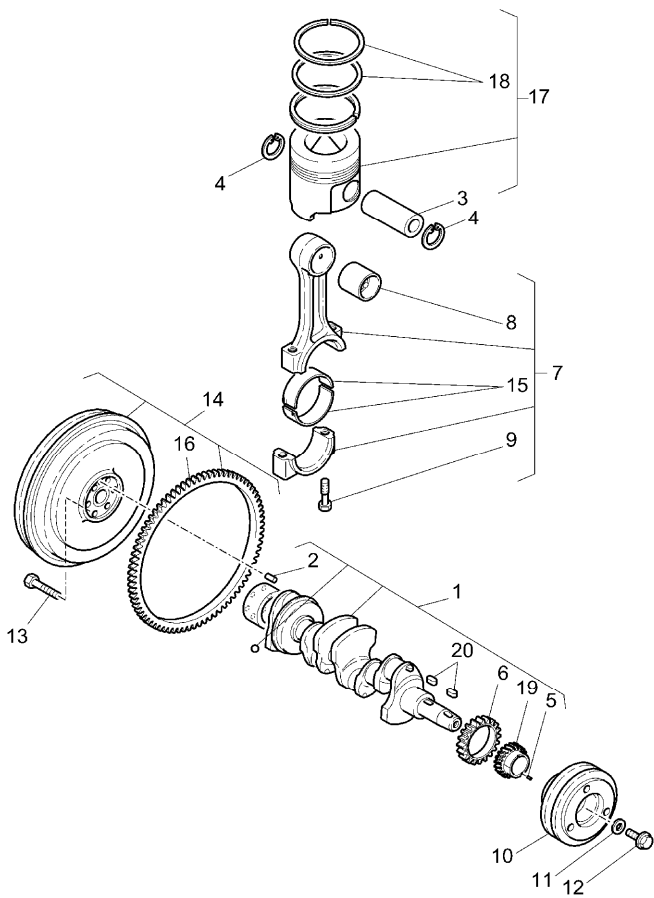
RP81\00012556.png

A-05  
03



A0503

Crankshaft, pistons and connecting rods - - engine yanmar type "4tnv 84"



			Inglese
1	3680220M1	T-A 16:50	1 Shaft
2	3653378M1	! 1	1 Dowel
3	3653731M1	T-A 17:0	4 Cotter
4	3653815M1		8 Clip
5	3653308M1	! 1	1 Dowel
6	3664468M1	! 1	1 Gear
		T-A 20:0	
7	3653897M1	T-A 17:0	4 Conrod
8	3653383M1	! 7	4 Bearing
		T-A 17:0	
9	3653307M1	! 7	8 Bolt
10	3653763M1	● 4216750M1(1), 6510420M1(1)	1 Pulley
		T-A 2:0	
11	3653794M1		1 Washer
12	3653309M1		1 Bolt
13	3653301M1		6 Bolt
14	3653762M1	T-A 10:50	1 Flywheel
15	3653450M1	! 7	4 Bearing
		● 4216034M1(4)	
		T-A 17:0	
15	3653451M1	! 7	4 Bearing
		B	
		T-A 17:0	
16	3653297M1	! 14	1 Crownwheel
		T-A 10:25	

Engine

Gx series tier 3 (2004-2007) - RP81 - GX45 / GXH45

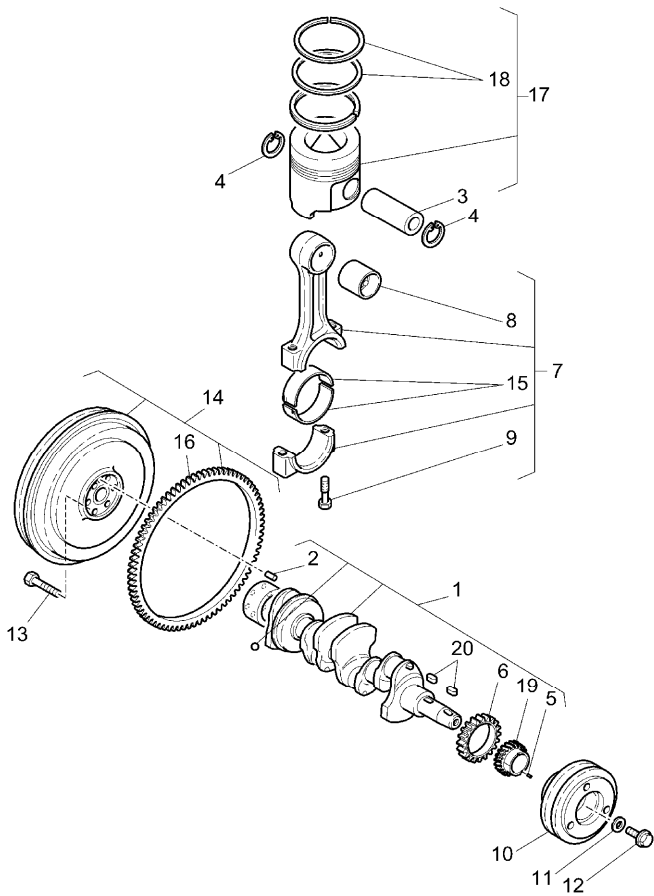
RP81\00012556.png

**A-05  
03**



A0503

Crankshaft, pistons and connecting rods - - engine yanmar type "4tnv 84"



**Inglese**

17	3681365M1	T-A	17:50	4	Piston
17	3681367M1	A		4	Piston
18	3681366M1	!	17	4	Kit
		T-A	17:50		
18	3681368M1	!	17	4	Kit
		A			
		T-A	17:50		
19	3677974M1	!	1	1	Gear
		●	4206674M1(1)		
		T-A	20:0		
20	3653820M1	!	1	2	Key
!	This is a component of an assembly				
●	Replacement				
T-A	Replacement				
A	Over-size (0,25mm) part.				
B	Under-size (0,25mm) part.				

Engine

Gx series tier 3 (2004-2007) - RP81 - GX45 / GXH45

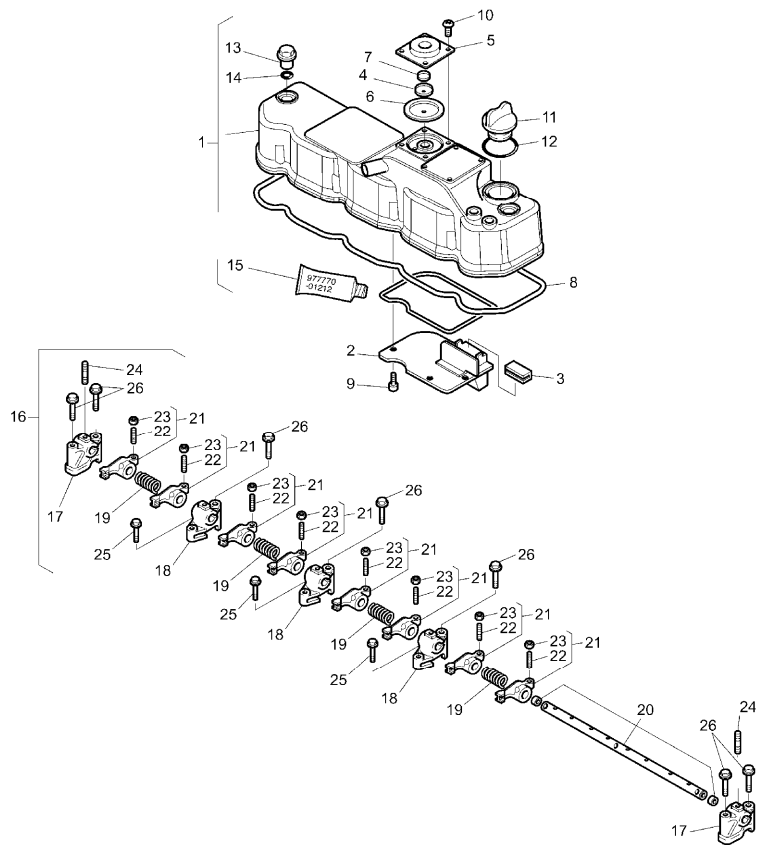
RP81\00012557.png

A-05  
04



A0504

Cylinder head - rocker shaft - engine yanmar type "4tnv 84"



				Inglese
1	3680190M1	T-A	1:50	1 Coperch.
2	3680191M1	!	1	1 Plate
3	3653435M1	!	1	1 Guard
4	3680210M1	!	1	1 Plate
5	3680211M1	!	1	1 Coperch.
6	3680212M1	!	1	1 Diaphragm
7	3680213M1	!	1	1 Spring
8	3680214M1	!	1	1 Gasket
9	3665010M1	T-A	1:50	4 Screw
			M5x10	
10	3665010M1	!	1	4 Screw
			M5x10	
11	3653315M1	!	1	1 Plug
		T-A	0:25	
12	3653835M1	!	1	1 O ring
13	3653317M1	!	1	3 Plug
14	3653831M1	!	1	3 O ring
15	3653908M1	!	1	1 Gasket
	●		3653908M2(1)	
16	3680184M1	T-A	2:75	1 Shaft
17	3680185M1	!	16	2 Support
		T-A	2:0	
18	3680186M1	!	16	3 Support
		T-A	2:0	

Engine

Gx series tier 3 (2004-2007) - RP81 - GX45 / GXH45

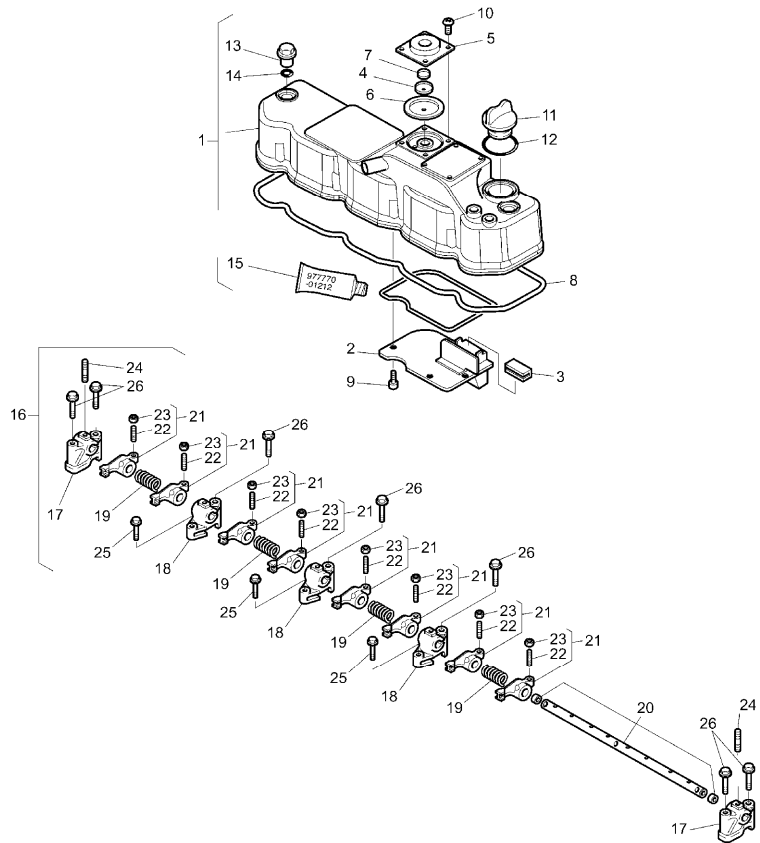
RP81\00012557.png

A-05  
04



A0504

Cylinder head - rocker shaft - engine yanmar type "4tnv 84"



Inglese

19	3653440M1	!	16	4	Spring
20	3680187M1	!	16	1	Shaft
		T-A	2:75		
21	3680188M1	!	16	8	Cam
		T-A	2:0		
22	3653439M1	!	21	8	Screw
		T-A	1:50		
23	3653444M1	!	21	8	Nut
		T-A	1:50		
24	3653875M1	!	16	3	Bolt
			M8x18		
25	3653860M1	!	16	3	Bolt
			M8x25		
26	3653864M1	!	16	7	Bolt
			M8x50		

! This is a component of an assembly

● Replacement

T-A Replacement

Engine

Gx series tier 3 (2004-2007) - RP81 - GX45 / GXH45

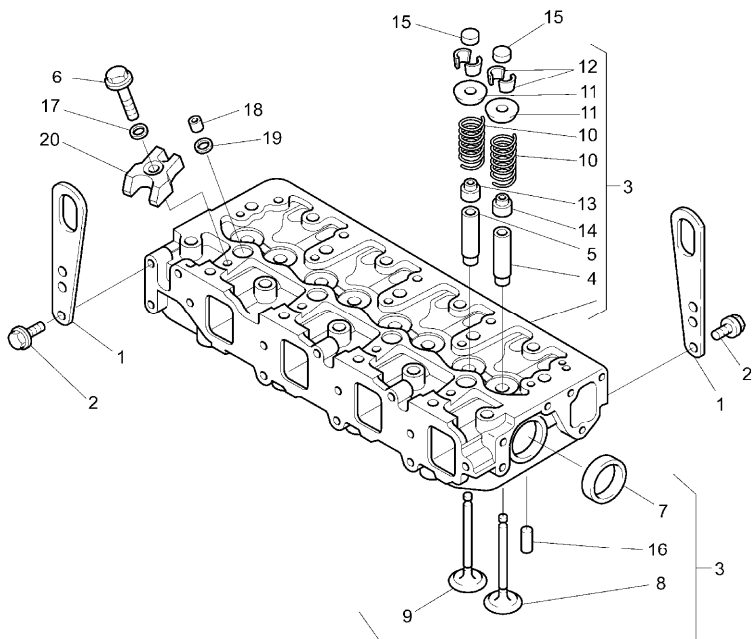
RP81\00012558.png

**A-05  
045**



A05045

Cylinder head - rocker shaft - engine yanmar type "4tnv 84"



		Inglese
1	3664580M1	2 Stirrup
2	3653857M1	4 Bolt
3	3680179M1	1 Cylinder head
	T-A 5:0	
	T-B 8:75	
4	3653298M1	4 Guide
	! 3	
	T-A 8:75	
5	3653445M1	4 Guide
	! 3	
	T-A 8:75	
6	3653861M1	4 Bolt
	! 3	
	M8x35	
7	3653890M1	2 Plug
	! 3	
8	3680180M1	3 Valve
	! 3	
	● 3680180M2(3)	
	T-A 7:75	
9	3653381M1	3 Valve
	! 3	
	● 3653381M2(3)	
	T-A 7:75	
10	3653792M1	8 Spring
	! 3	
	T-A 7:75	
11	3653793M1	8 Nameplate
	! 3	
	T-A 7:75	
12	3680181M1	8 Clip
	! 3	
13	3653304M1	4 Thimble
	! 3	
	T-A 7:75	
14	3653323M1	4 Thimble
	T-A 7:75	



Engine

Gx series tier 3 (2004-2007) - RP81 - GX45 / GXH45

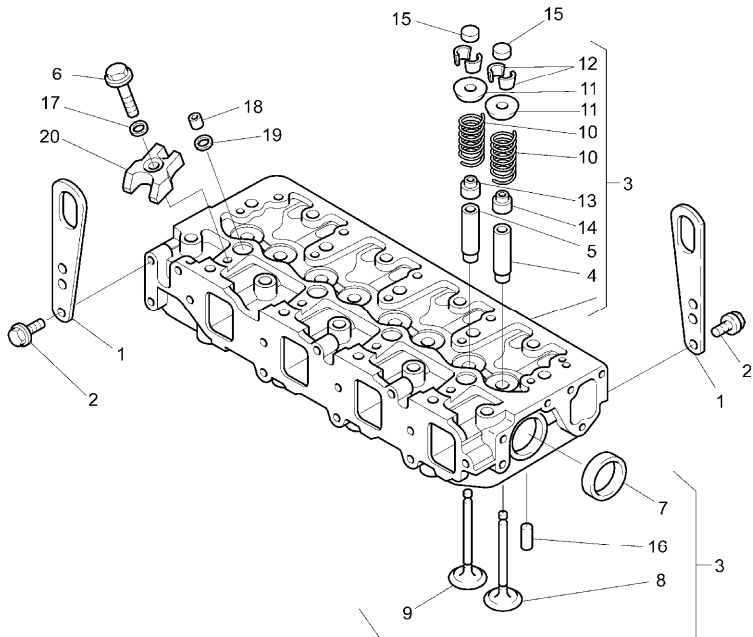
RP81\00012558.png

**A-05  
045**



A05045

Cylinder head - rocker shaft - engine yanmar type "4tnv 84"



**Inglese**

15	3653443M1	!	3
		T-A	7:75
16	3653818M1	!	3
17	3680183M1	!	3
18	3677971M1	!	3
19	3653266M1	!	3
20	3680182M1	!	3
21		⊕	A-05 04

8 Shim

2 Pin

4 Washer

4 Guard

4 Washer

4 Clip

! This is a component of an assembly

⊕ See page - reference number

● Replacement

T-A Replacement

T-B Overhaul

Engine

Gx series tier 3 (2004-2007) - RP81 - GX45 / GXH45

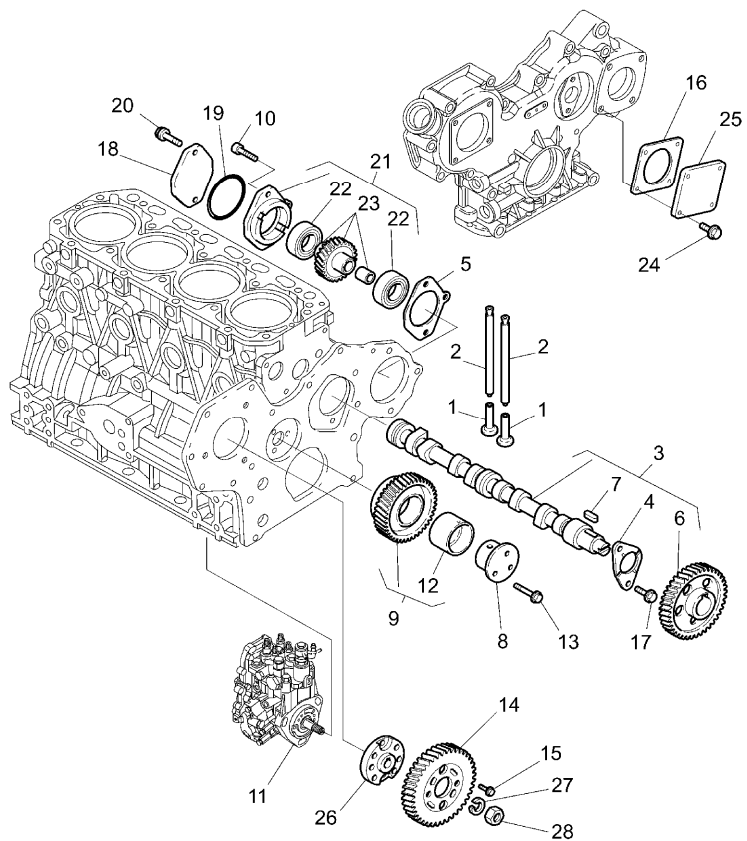
RP81\00012559.png

A-05  
05



A0505

Timing gear and camshaft - - engine yanmar type "4tnv 84"



Inglese

1	3653447M1	T-A	31:0	8	Tappet
2	3653448M1	T-A	2:75	8	Rod
3	3653896M1	T-A	31:0	1	Shaft
4	3653430M1	!	3	1	Plate
		T-A	31:0		
5	3653800M1	T-A	1:0	1	Gasket
6	3653446M1	!	3	1	Gear
		T-A	31:0		
7	3653820M1	!	3	1	Key
		T-A	31:0		
8	3677975M1	T-A	9:50	1	Shaft
9	3677977M1	T-A	9:50	1	Gear
10	3653879M1		M8x28	1	Bolt
11		⊕	A-05 12 27	1	Pump
12	3677976M1	!	9	1	Bush
		T-A	9:50		
13	3653862M1		M8x40	3	Bolt
14	3677978M1	T-A	9:25	1	Gear
15	3664454M1			4	Screw
16	3653321M1	T-A	0:50	1	Gasket
17	3653857M1		M8x14	2	Bolt
18	3653300M1	T-A	0:50	1	Cover
19	3653839M1	T-A	0:50	1	O ring
20	3653869M1		M10x45	2	Bolt
21	3653363M1	T-A	1:0	1	Kit

Engine

Gx series tier 3 (2004-2007) - RP81 - GX45 / GXH45

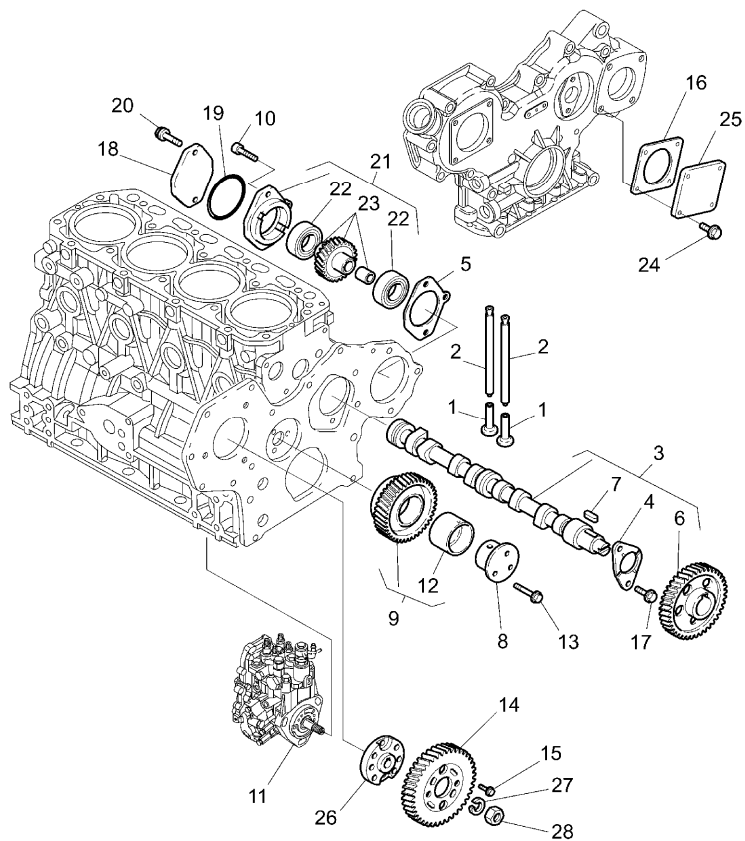
A-05  
05



A0505

Timing gear and camshaft - - engine yanmar type "4tnv 84"

RP81\00012559.png



		Inglese			
22	3653830M1	!	21	2	Bearing
		T-A	1:50		
23	3653364M1	!	21	1	Gear
		T-A	1:50		
24	3653858M1		M8x16	4	Bolt
25	3653320M1	T-A	0:50	1	Cover
26	3678298M1	T-A	9:25	1	Flange
27	3678300M1			1	Washer
28	3678315M1			1	Nut
!		This is a component of an assembly			
⊕		See page - reference number			
T-A		Replacement			

Engine

Gx series tier 3 (2004-2007) - RP81 - GX45 / GXH45

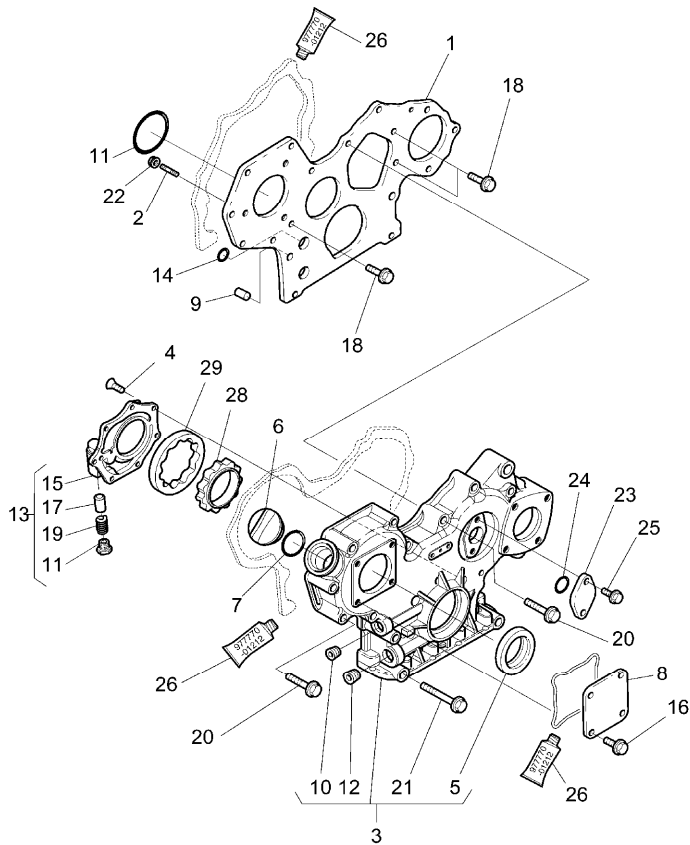
RP81\00012560.png

A-05  
06



A0506

Distribution cover - engine yanmar type "4tnv 84"



Inglese

-				
1	3678023M1	T-A 4:75		1 Flange
2	3677969M1	M8x25		3 Stud
3	3680176M1	T-A 4:75		1 Coperch.
4	3677981M1	M6x16		7 Screw
5	3653788M1	!	3	1 Seal
			72x55x9	
		T-A 2:50		
6	3653315M1			1 Plug
7	3653835M1	!	6	1 O ring
		T-A 0:25		
8	3653320M1			1 Coperch.
9	3653789M1			2 Bush
10	3665018M1	!	3	1 Plug
11	3653310M1			1 O ring
12	3678309M1	!	3	1 Plug
13	3677980M1	T-A 4:75		1 Cover
14	3677944M1			4 Ring
15	3677979M1	!	13	1 Cover
16	3653858M1		M8x16	4 Bolt
17	3678295M1	!	13	1 Valve
		T-A 4:75		
18	3653858M1			3 Bolt
19	3678043M1	!	13	1 Spring
20	3653865M1			11 Bolt

Engine

Gx series tier 3 (2004-2007) - RP81 - GX45 / GXH45

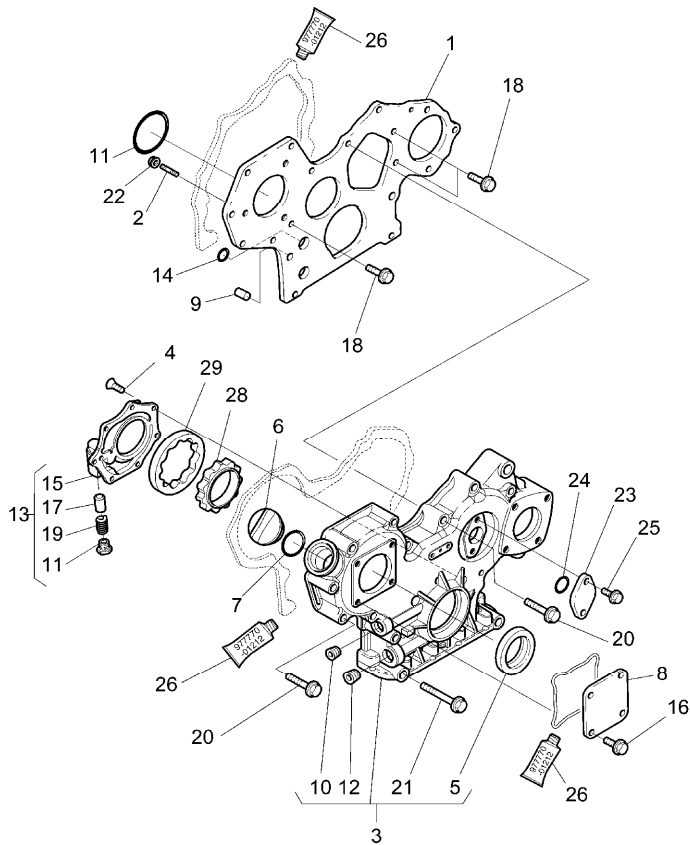
RP81\00012560.png

**A-05  
06**



A0506

Distribution cover - engine yanmar type "4tnv 84"



				Inglese
21	3664450M1	!	3	3 Bolt
			M8x85	
22	3666905M1			3 Nut
23	3653299M1	T-A	0:25	1 Cover
24	3653841M1	T-A	0:25	1 O ring
25	3653853M1			2 Bolt
26	3653908M1	●	3653908M2(1)	1 Gasket
		A		
27	3678013M1	!	13	1 Plug
28	3680177M1	T-A	4:75	1 Rotor
29	3680178M1	T-A	4:75	1 Rotor

! This is a component of an assembly

● Replacement

T-A Replacement

A For application, refer to workshop manual

Engine

Gx series tier 3 (2004-2007) - RP81 - GX45 / GXH45

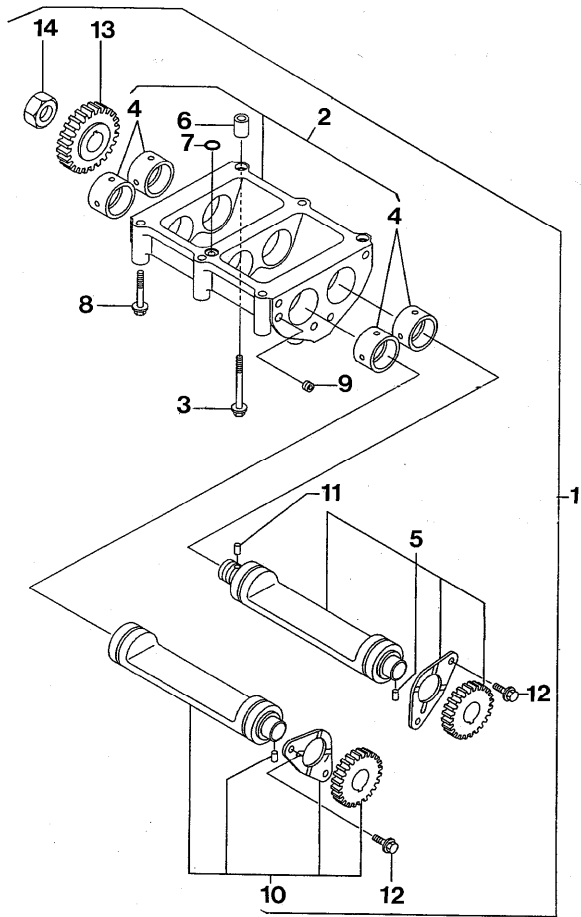
RP81\00001366.png

**A-05  
065**



A05065

Balancer unit - - engine yanmar type "4tnv 84"



			Inglese
1	3653764M1	T-A 2:0	1 Weight
		T-B 4:0	
2	3664476M1	! 1	1 Housing
		T-A 4:0	
3	3653868M1	! 2	2 Bolt
		M8x80	
4	3653743M1	! 2	4 Bush
		T-A 4:0	
5	3653905M1	! 1	1 Kit
6	3653790M1	! 2	2 Bush
7	3653832M1	! 2	1 O ring
		T-A 2:0	
8	3653866M1	! 2	4 Bolt
		M8x60	
9	3653827M1	! 2	1 Plug
10	3653906M1	! 1	1 Kit
		T-A 4:0	
11	3653308M1	! 1	1 Dowel
12	3653857M1	M8x14	4 Bolt
13	3653739M1	! 1	1 Gear
		T-A 4:0	
14	3653334M1	! 1	1 Nut
! This is a component of an assembly			
T-A Replacement			
T-B Overhaul			

**Buy Now**



Our support email:

[ebooklibonline@outlook.com](mailto:ebooklibonline@outlook.com)