

Engine

Gx series tier 3 (2004-2007) - RP81 - GX50 / GXH50

RP81\00012554.png

A-05
01



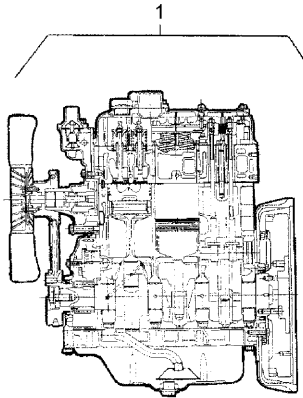
A0501

Engine assembly - engine yanmar type "4tnv 88"

Inglese

1 3669988M91 ● 3669988M94(1) 1 Engine
T-A 12:0
T-B 30:0

● Replacement
T-A Replacement
T-B Overhaul



Engine

Gx series tier 3 (2004-2007) - RP81 - GX50 / GXH50

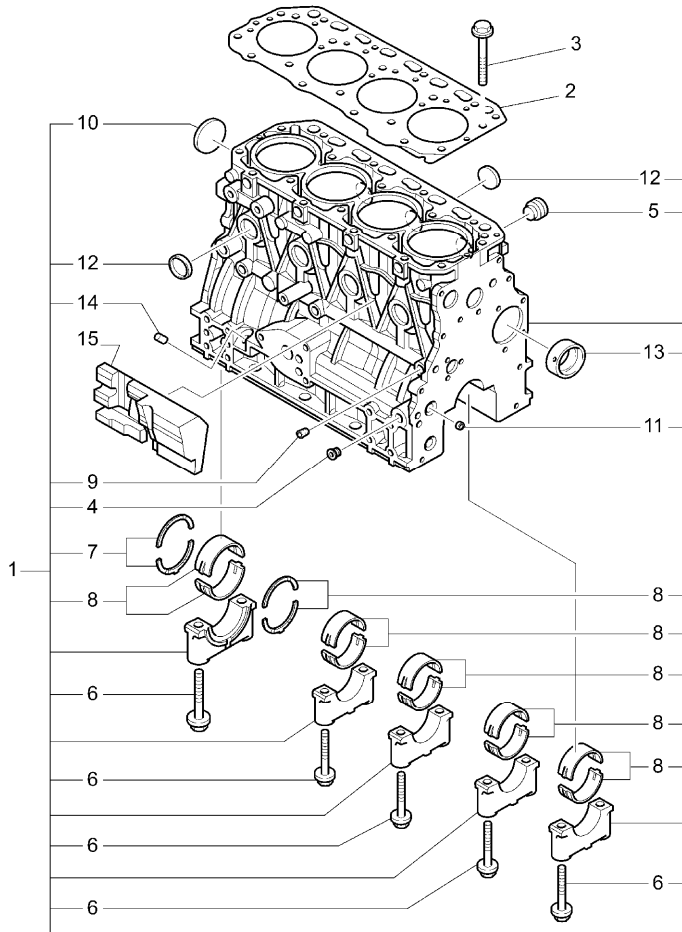
RP81\00012555.png

A-05
02



A0502

Cylinder block - engine yanmar type "4tnv 88"



		Inglese	
1	3681363M1 T-A 33:50	1	Kit
2	3653740M1 T-A 5:50	1	Gasket
3	3653428M1	18	Stud
4	3653361M1	2	Plug
5	3653796M1 ! 1	1	Plug
	T-A 0:25		
6	3653429M1 ! 1	10	Bolt
7	3653432M1 ! 1	2	Ring
	● 4215968M1(2)		
	T-A 16:50		
7	3653433M1 ! 1	2	Ring
	● 4215970M1(2)		
	A		
	T-A 16:50		
8	3653431M1 ! 1	5	Ring
	● 3653431M2(5)		
	B		
	T-A 16:50		
8	3680175M1 ! 1	5	Kit
	● 4215967M1(1)		
	T-A 16:50		
9	3678007M1 ! 1	1	Plug
	T-A 0:25		
10	3680174M1 ! 1	1	Plug
	● 3664445M1(1)		
	T-A 0:75		

Engine

Gx series tier 3 (2004-2007) - RP81 - GX50 / GXH50

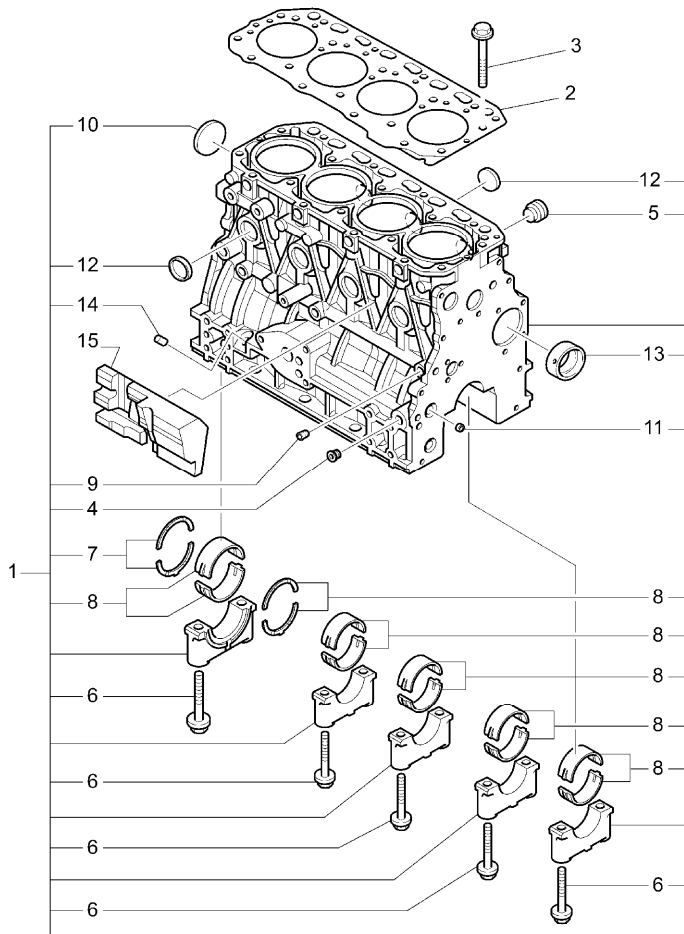
**A-05
02**



A0502

Cylinder block - engine yanmar type "4tnv 88"

RP81\00012555.png



Inglese

11	3653888M1	!	1	2	Plug
12	3653889M1	!	1	8	Plug
		●	3653889M2(8)		
		T-A	0:75		
13	3653791M1	!	1	1	Bearing
		T-A	31:0		
14	3677943M1	!	1	1	Plug
15	3678014M1	!	1	1	Spacer

- ! This is a component of an assembly
- Replacement
- T-A Replacement
- A Over-size (0,25mm) part.
- B Under-size (0,25mm) part.

Engine

Gx series tier 3 (2004-2007) - RP81 - GX50 / GXH50

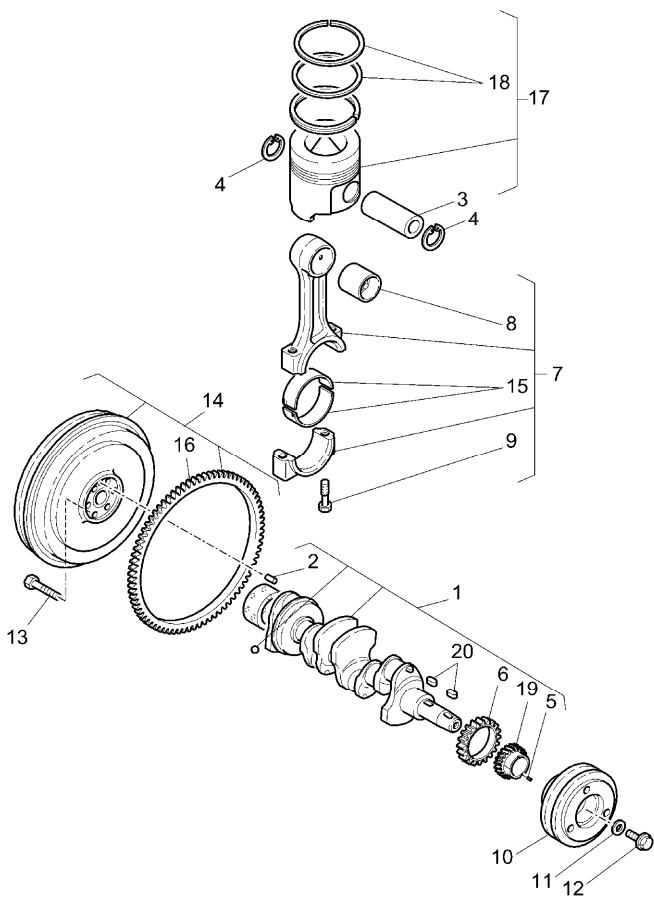
RP81\00012556.png

A-05
03



A0503

Crankshaft, pistons and connecting rods - - engine yanmar type "4tnv 88"



			Inglese
1	3680220M1	T-A 16:50	1 Shaft
2	3653378M1	! 1	1 Dowel
3	3653731M1	T-A 17:0	4 Cotter
4	3653815M1		8 Clip
5	3653308M1	! 1	1 Dowel
6	3664468M1	! 1	1 Gear
		T-A 20:0	
7	3653897M1	T-A 17:0	4 Conrod
8	3653383M1	! 7	4 Bearing
		T-A 17:0	
9	3653307M1	! 7	8 Bolt
10	3653763M1	● 4216750M1(1), 6510420M1(1)	1 Pulley
		T-A 2:0	
11	3653794M1		1 Washer
12	3653309M1		1 Bolt
13	3653301M1		6 Bolt
14	3653762M1	T-A 10:50	1 Flywheel
15	3653450M1	! 7	4 Bearing
		● 4216034M1(4)	
		T-A 17:0	
15	3653451M1	! 7	4 Bearing
		B	
		T-A 17:0	
16	3653297M1	! 14	1 Crownwheel
		T-A 10:25	

Engine

Gx series tier 3 (2004-2007) - RP81 - GX50 / GXH50

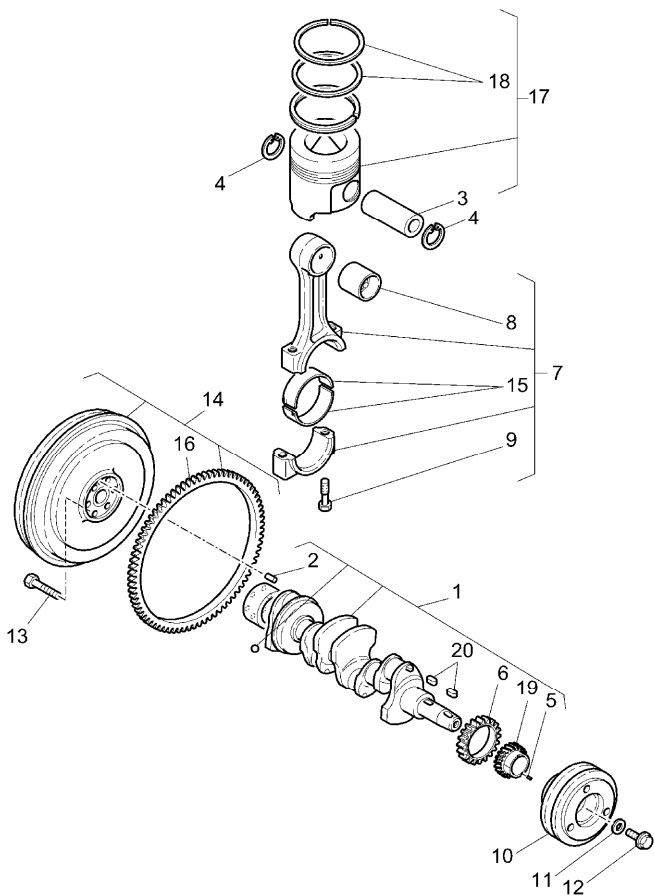
RP81\00012556.png

**A-05
03**



A0503

Crankshaft, pistons and connecting rods - - engine yanmar type "4tnv 88"



				Inglese
17	3681365M1	T-A 17:50	4	Piston
17	3681367M1	A	4	Piston
		T-A 17:50		
18	3681366M1	! 17	4	Kit
		T-A 17:50		
18	3681368M1	! 17	4	Kit
		A		
		T-A 17:50		
19	3677974M1	! 1	1	Gear
		● 4206674M1(1)		
		T-A 20:0		
20	3653820M1	! 1	2	Key
!	This is a component of an assembly			
●	Replacement			
T-A	Replacement			
A	Over-size (0,25mm) part.			
B	Under-size (0,25mm) part.			

Engine

Gx series tier 3 (2004-2007) - RP81 - GX50 / GXH50

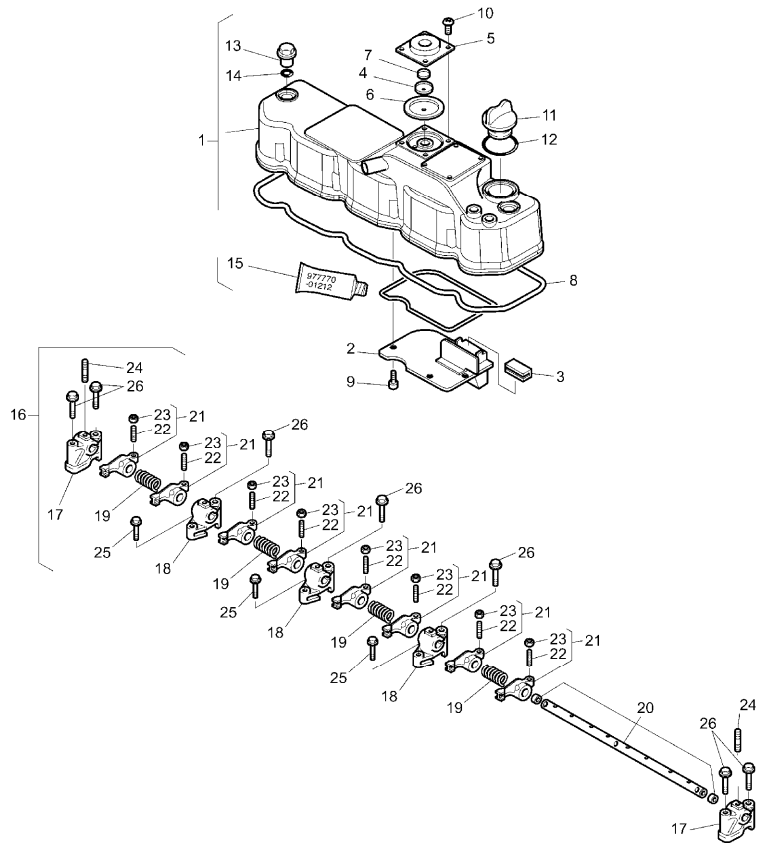
RP81\00012557.png

A-05
04



A0504

Cylinder head - rocker shaft - engine yanmar type "4tnv 88"



Inglese

1	3680190M1	T-A	1:50	1	Coperch.
2	3680191M1	!	1	1	Plate
3	3653435M1	!	1	1	Guard
4	3680210M1	!	1	1	Plate
5	3680211M1	!	1	1	Coperch.
6	3680212M1	!	1	1	Diaphragm
7	3680213M1	!	1	1	Spring
8	3680214M1	!	1	1	Gasket
9	3665010M1	T-A	1:50	4	Screw
			M5x10		
10	3665010M1	!	1	4	Screw
			M5x10		
11	3653315M1	!	1	1	Plug
		T-A	0:25		
12	3653835M1	!	1	1	O ring
13	3653317M1	!	1	3	Plug
14	3653831M1	!	1	3	O ring
15	3653908M1	!	1	1	Gasket
	●		3653908M2(1)		
16	3680184M1	T-A	2:75	1	Shaft
17	3680185M1	!	16	2	Support
		T-A	2:0		
18	3680186M1	!	16	3	Support
		T-A	2:0		

Engine

Gx series tier 3 (2004-2007) - RP81 - GX50 / GXH50

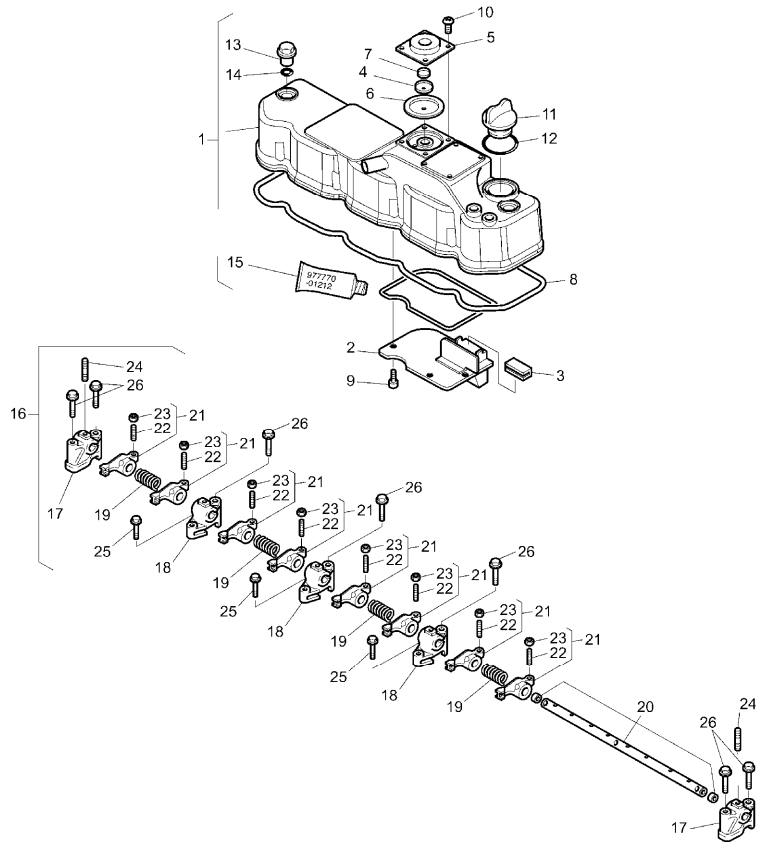
RP81\00012557.png

A-05
04



A0504

Cylinder head - rocker shaft - engine yanmar type "4tnv 88"



				Inglese
19	3653440M1	!	16	4 Spring
20	3680187M1	!	16	1 Shaft
			T-A 2:75	
21	3680188M1	!	16	8 Cam
			T-A 2:0	
22	3653439M1	!	21	8 Screw
			T-A 1:50	
23	3653444M1	!	21	8 Nut
			T-A 1:50	
24	3653875M1	!	16	3 Bolt
			M8x18	
25	3653860M1	!	16	3 Bolt
			M8x25	
26	3653864M1	!	16	7 Bolt
			M8x50	

! This is a component of an assembly

● Replacement

T-A Replacement

Engine

Gx series tier 3 (2004-2007) - RP81 - GX50 / GXH50

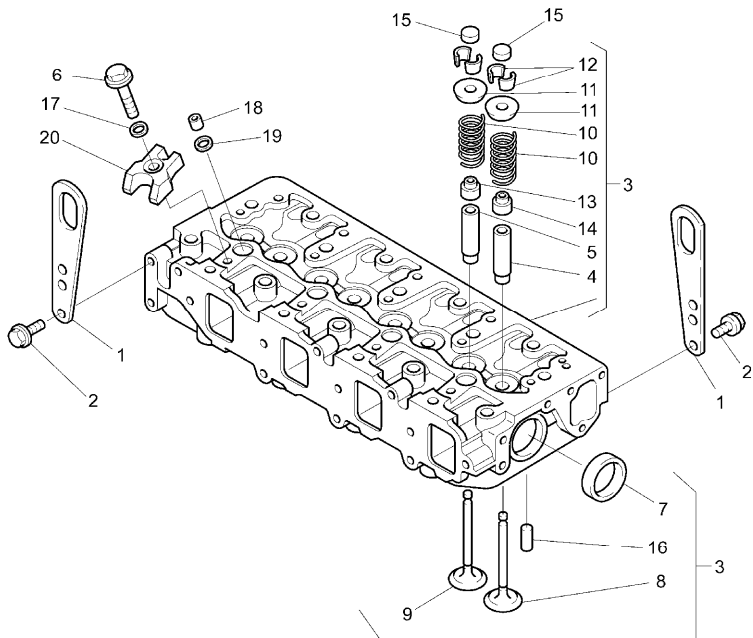
RP81\00012558.png

**A-05
045**



A05045

Cylinder head - rocker shaft - engine yanmar type "4tnv 88"



		Inglese
1	3664580M1	2 Stirrup
2	3653857M1	4 Bolt
3	3683143M1	1 Head
4	3653298M1	4 Guide
		T-A 8:75
5	3653445M1	4 Guide
		T-A 8:75
6	3653861M1	4 Bolt
		M8x35
7	3653890M1	2 Plug
8	3681364M1	3 Valve
		T-A 7:75
9	3653381M1	3 Valve
	● 3653381M2(3)	
		T-A 7:75
10	3653792M1	8 Spring
		T-A 7:75
11	3653793M1	8 Nameplate
		T-A 7:75
12	3680181M1	8 Clip
13	3653304M1	4 Thimble
		T-A 7:75
14	3653323M1	4 Thimble
		T-A 7:75
15	3653443M1	8 Shim
		T-A 7:75

Engine

Gx series tier 3 (2004-2007) - RP81 - GX50 / GXH50

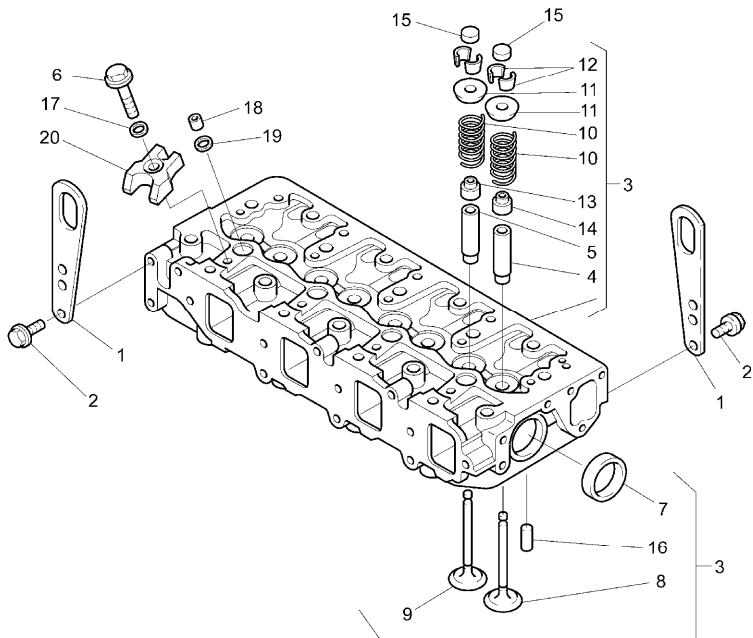
RP81\00012558.png

**A-05
045**



A05045

Cylinder head - rocker shaft - engine yanmar type "4tnv 88"



Inglese

16	3653818M1	!	3	2	Pin
17	3680183M1	!	3	4	Washer
18	3677971M1	!	3	4	Guard
19	3653266M1	!	3	4	Washer
20	3680182M1	!	3	4	Clip
21		⦿	A-05 04	4	Clip

! This is a component of an assembly

⦿ See page - reference number

● Replacement

T-A Replacement

Engine

Gx series tier 3 (2004-2007) - RP81 - GX50 / GXH50

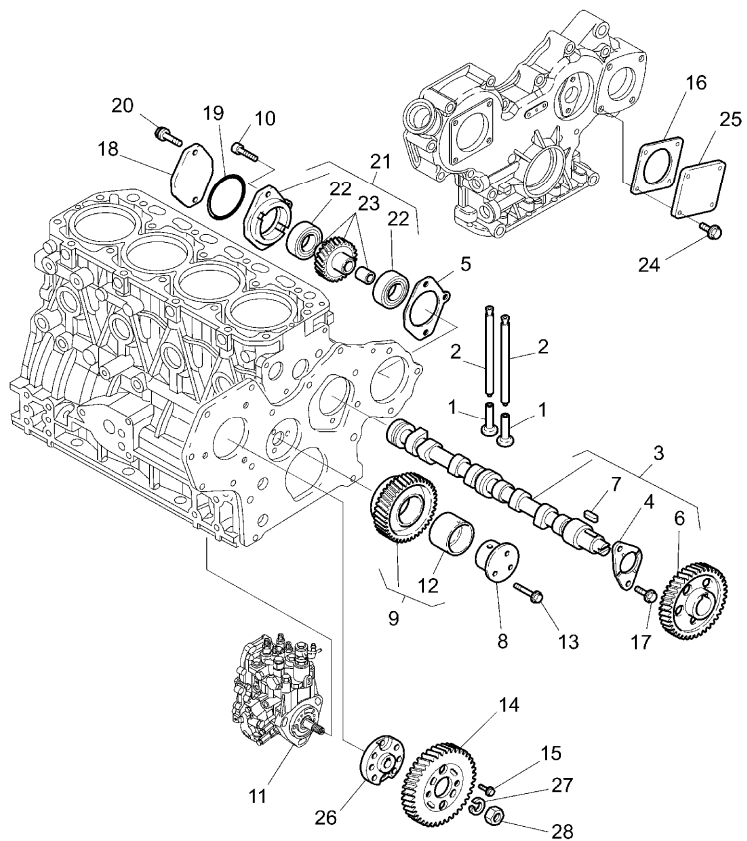
RP81\00012559.png

A-05
05



A0505

Timing gear and camshaft - - engine yanmar type "4tnv 88"



Inglese

1	3653447M1	T-A	31:0	8	Tappet
2	3653448M1	T-A	2:75	8	Rod
3	3653896M1	T-A	31:0	1	Shaft
4	3653430M1	!	3	1	Plate
		T-A	31:0		
5	3653800M1	T-A	1:0	1	Gasket
6	3653446M1	!	3	1	Gear
		T-A	31:0		
7	3653820M1	!	3	1	Key
		T-A	31:0		
8	3677975M1	T-A	9:50	1	Shaft
9	3677977M1	T-A	9:50	1	Gear
10	3653879M1		M8x28	1	Bolt
11		⊕	A-05 12 27	1	Pump
12	3677976M1	!	9	1	Bush
		T-A	9:50		
13	3653862M1		M8x40	3	Bolt
14	3677978M1	T-A	9:25	1	Gear
15	3664454M1			4	Screw
16	3653321M1	T-A	0:50	1	Gasket
17	3653857M1		M8x14	2	Bolt
18	3653300M1	T-A	0:50	1	Cover
19	3653839M1	T-A	0:50	1	O ring
20	3653869M1		M10x45	2	Bolt
21	3653363M1	T-A	1:0	1	Kit

Engine

Gx series tier 3 (2004-2007) - RP81 - GX50 / GXH50

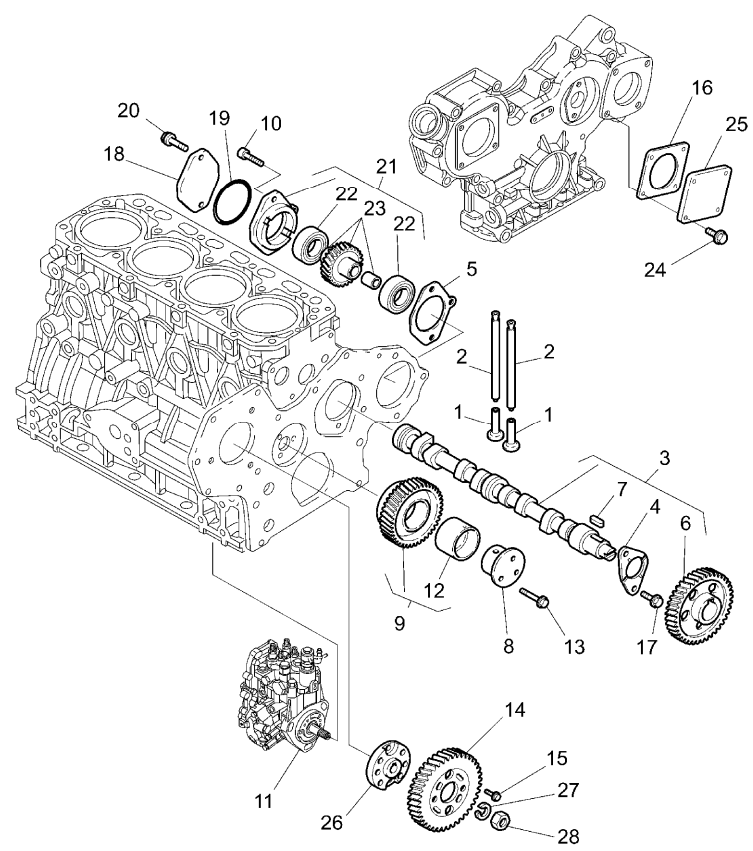
RP81\00012559.png

A-05
05



A0505

Timing gear and camshaft - - engine yanmar type "4tnv 88"



		Inglese			
22	3653830M1	!	21	2	Bearing
		T-A	1:50		
23	3653364M1	!	21	1	Gear
		T-A	1:50		
24	3653858M1		M8x16	4	Bolt
25	3653320M1	T-A	0:50	1	Cover
26	3678298M1	T-A	9:25	1	Flange
27	3678300M1			1	Washer
28	3678315M1			1	Nut
!		This is a component of an assembly			
⊕		See page - reference number			
T-A		Replacement			

Engine

Gx series tier 3 (2004-2007) - RP81 - GX50 / GXH50

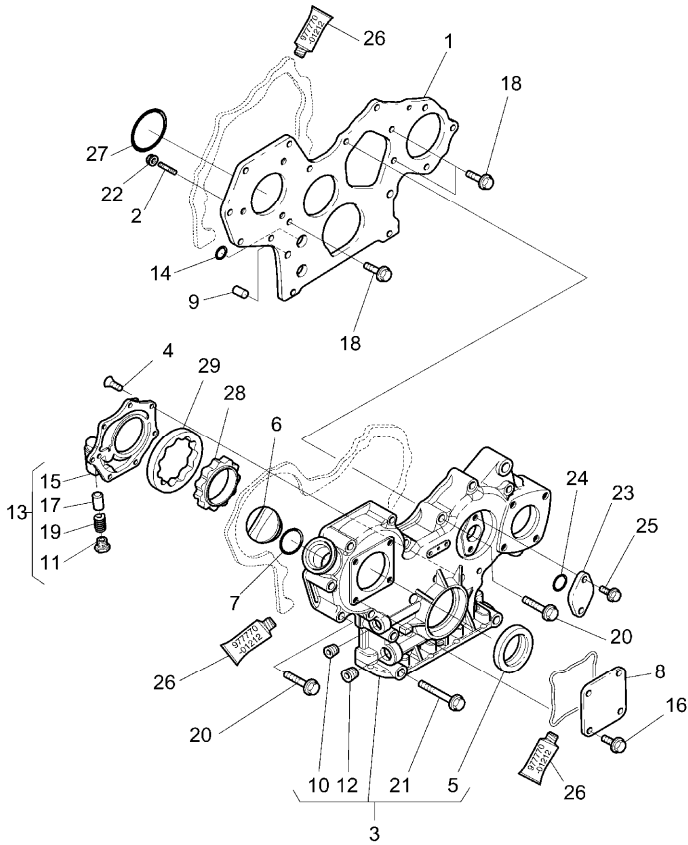
RP81\000012930.png

**A-05
06**



A0506

Distribution cover - engine yanmar type "4tnv 88"



			Inglese
1	3678023M1	T-A 4:75	1 Flange
2	3677969M1	M8x25	3 Stud
3	3680176M1	T-A 4:75	1 Coperch.
4	3677981M1	M6x16	7 Screw
5	3653788M1	! 3 72x55x9 T-A 2:50	1 Seal
6	3653315M1		1 Plug
7	3653835M1	! 6 T-A 0:25	1 O ring
8	3653320M1		1 Coperch.
9	3653789M1		2 Bush
10	3665018M1	! 3	1 Plug
11	3678013M1	! 13	1 Plug
12	3678309M1	! 3	1 Plug
13	3677980M1	T-A 4:75	1 Cover
14	3677944M1		4 Ring
15	3677979M1	! 13	1 Cover
16	3653858M1	M8x16	4 Bolt
17	3678295M1	! 13 T-A 4:75	1 Valve
18	3653858M1	M8x16	3 Bolt
19	3678043M1	! 13	1 Spring
20	3653865M1	M8x55	11 Bolt

Engine

Gx series tier 3 (2004-2007) - RP81 - GX50 / GXH50

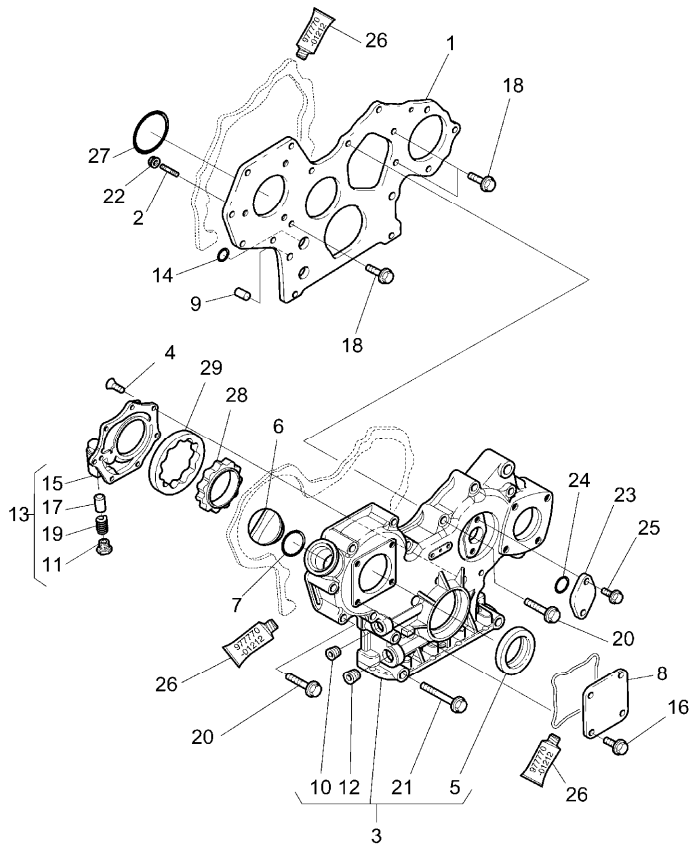
RP81\000012930.png

**A-05
06**



A0506

Distribution cover - engine yanmar type "4tnv 88"



				Inglese
21	3664450M1	!	3	3 Bolt
			M8x85	
22	3666905M1			3 Nut
23	3653299M1	T-A	0:25	1 Cover
24	3653841M1	T-A	0:25	1 O ring
25	3653853M1		M6x16	2 Bolt
26	3653908M1	●	3653908M2(1) A	1 Gasket
27	3653310M1			1 O ring
28	3680177M1	T-A	4:75	1 Rotor
29	3680178M1	T-A	4:75	1 Rotor

- ! This is a component of an assembly
- Replacement
- T-A Replacement
- A For application, refer to workshop manual

Engine

Gx series tier 3 (2004-2007) - RP81 - GX50 / GXH50

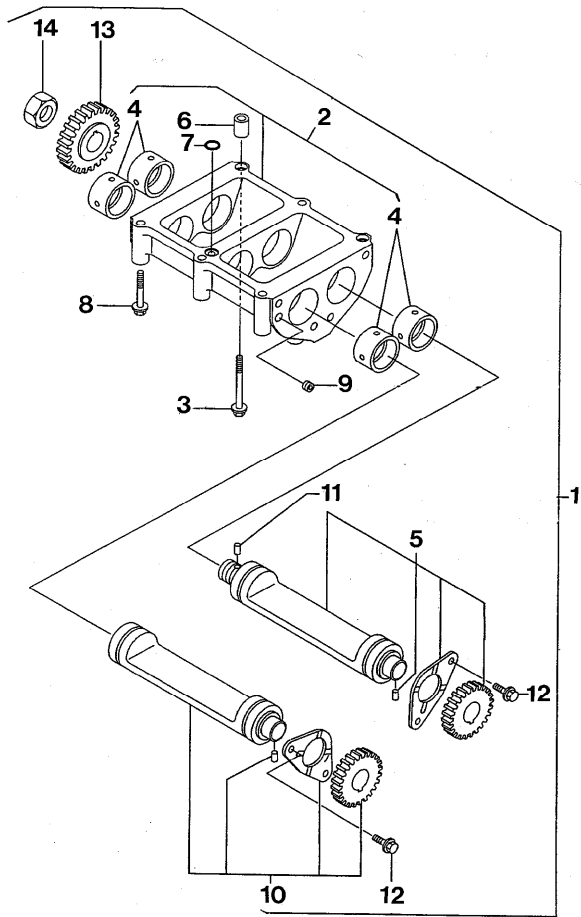
RP81\00001366.png

**A-05
065**



A05065

Balancer unit - - engine yanmar type "4tnv 88"



			Inglese
1	3653764M1	T-A 2:0	1 Weight
		T-B 4:0	
2	3664476M1	! 1	1 Housing
		T-A 4:0	
3	3653868M1	! 2	2 Bolt
		M8x80	
4	3653743M1	! 2	4 Bush
		T-A 4:0	
5	3653905M1	! 1	1 Kit
6	3653790M1	! 2	2 Bush
7	3653832M1	! 2	1 O ring
		T-A 2:0	
8	3653866M1	! 2	4 Bolt
		M8x60	
9	3653827M1	! 2	1 Plug
10	3653906M1	! 1	1 Kit
		T-A 4:0	
11	3653308M1	! 1	1 Dowel
12	3653857M1	M8x14	4 Bolt
13	3653739M1	! 1	1 Gear
		T-A 4:0	
14	3653334M1	! 1	1 Nut
	! This is a component of an assembly		
	T-A Replacement		
	T-B Overhaul		

Buy Now



Our support email:

ebooklibonline@outlook.com