

Engine

CX-L Series (2004-2007) - RP21 - CX-L 85

RP21\00000735.png

A-05  
01



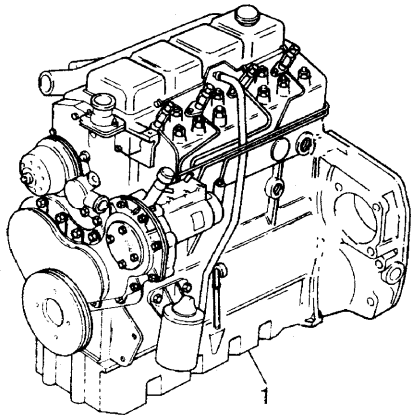
A0501

Engine assembly

Inglese

- 1 3674040M91 ● 3674040M92(1) 1 Engine
- T-A 8:0
- T-B 30:0

- Replacement
- T-A Replacement
- T-B Overhaul



Engine

CX-L Series (2004-2007) - RP21 - CX-L 85

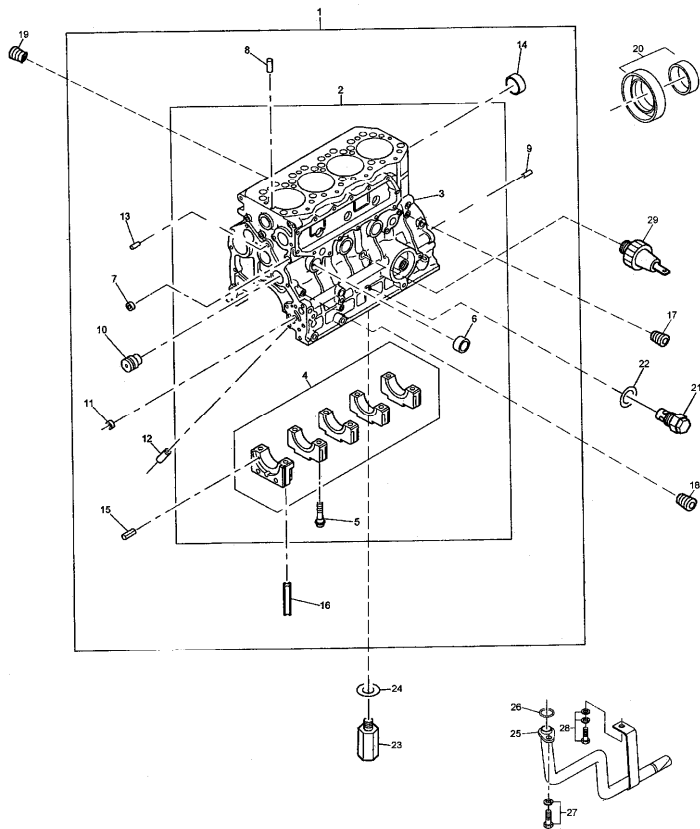
RP21\000012847.png

A-05  
02



A0502

Cylinder block - plate f



|    |                              | Inglese                   |
|----|------------------------------|---------------------------|
| 1  | MPCB0001 T-A 30:0            | 1 Kit                     |
| 2  | MP10310 T-A 25:0             | 1 Cylinder                |
| 3  | ➡ Ref. n. 2                  | 1 Cylinder block assembly |
| 4  | ➡ Ref. n. 2                  | 1 Cylinder block          |
| 5  | MP10056                      | 10 Bolt                   |
| 6  | MP10049                      | 10 Coperch.               |
| 7  | MP10051                      | 1 Coperch.                |
| 8  | MP10048                      | 1 Dowel                   |
| 9  | MP10050                      | 1 Dowel                   |
| 10 | MP10052                      | 1 Shaft                   |
| 11 | MP10053                      | 1 Bush                    |
| 12 | MP10058                      | 1 Pipe                    |
| 13 | MP10055                      | 1 Dowel                   |
| 14 | MP10054 ● MP20050(1)         | 1 Plug                    |
| 15 | MP10057                      | 1 Pin                     |
| 16 | MP10059                      | 1 Ring                    |
| 17 | MP10060                      | 1 Plug                    |
| 18 | MP10061                      | 4 Plug                    |
| 19 | MP10062                      | 1 Plug                    |
| 20 | MP10085 (X) 1.3.5.1 T-A 9:0  | 1 Ring                    |
| 21 | MP10158 (X) 1.3.5.1 T-A 0:25 | 1 Valve                   |
| 22 | MP10159                      | 1 Gasket                  |

Engine

CX-L Series (2004-2007) - RP21 - CX-L 85

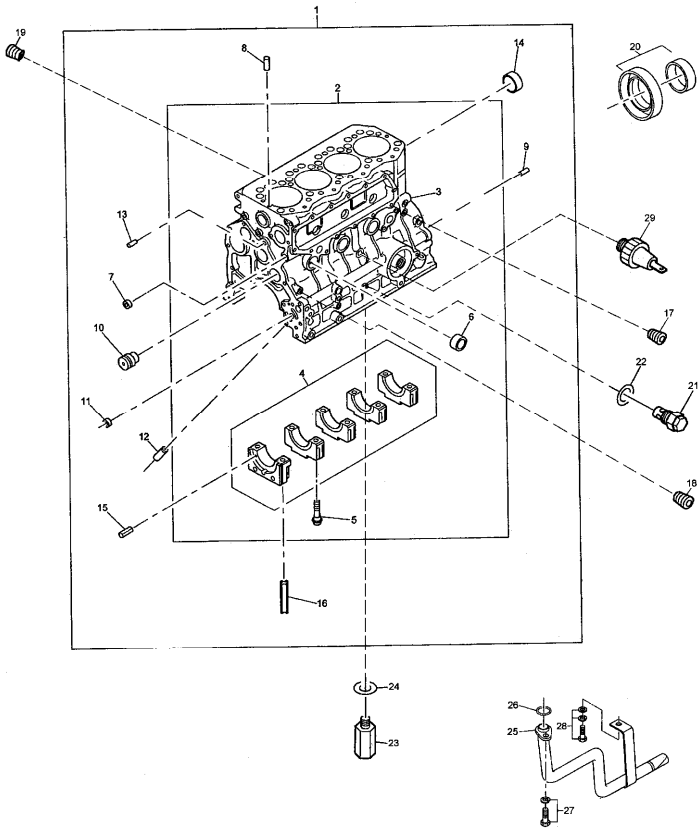
RP21\000012847.png

A-05  
02



A0502

Cylinder block - plate f



|    |         | Inglese      |          |
|----|---------|--------------|----------|
| 23 | MP10160 | T-A 2:0      | 1 Valve  |
| 24 | MP10161 |              | 1 Gasket |
| 25 | MP10465 | T-A 2:25     | 1 Pipe   |
| 26 | MP10156 |              | 1 Ring   |
| 27 | MP10046 | M8x16        | 2 Bolt   |
| 28 | MP10157 | M8x16        | 1 Bolt   |
| 29 | MP10395 | ● MP10533(1) | 1 Cutout |
|    |         | A            |          |
|    |         | (X)          |          |
|    |         | T-A 0:25     |          |

- ▣ Not serviced, order
- Replacement
- (X) Qty per tractors sold (aa.bbb.ccc.ddd) (aa) for 1,(bbb) 2-10 (ccc) 11-25 (ddd) 26-50
- T-A Replacement
- A Oil pressure

Engine

CX-L Series (2004-2007) - RP21 - CX-L 85

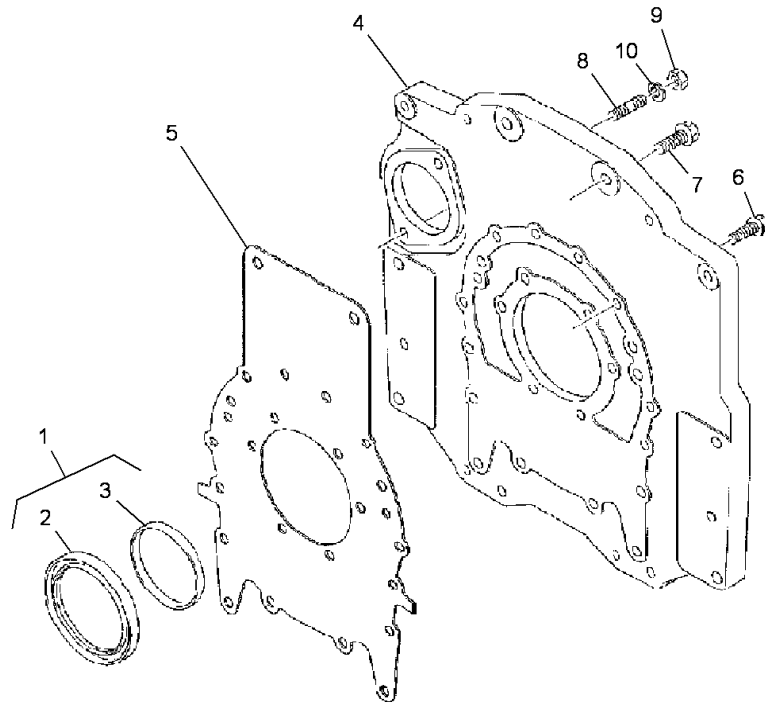
RP21\00040313.png

A-05  
025



A05025

Rear end oil seal



- 1 MP10085
- 4 MP10567
- 5 MP10568
- 6 MP10570
- 7 MP10569
- 8 MP10572
- 9 MP10571
- 10 MP10154
- Replacement

● MP20120(2)

Inglese

- 1 Gasket
- 1 Coperch.
- 1 Coperch.
- 20 Screw
- 2 Screw
- 2 Screw
- 2 Nut
- 2 Washer

Engine

CX-L Series (2004-2007) - RP21 - CX-L 85

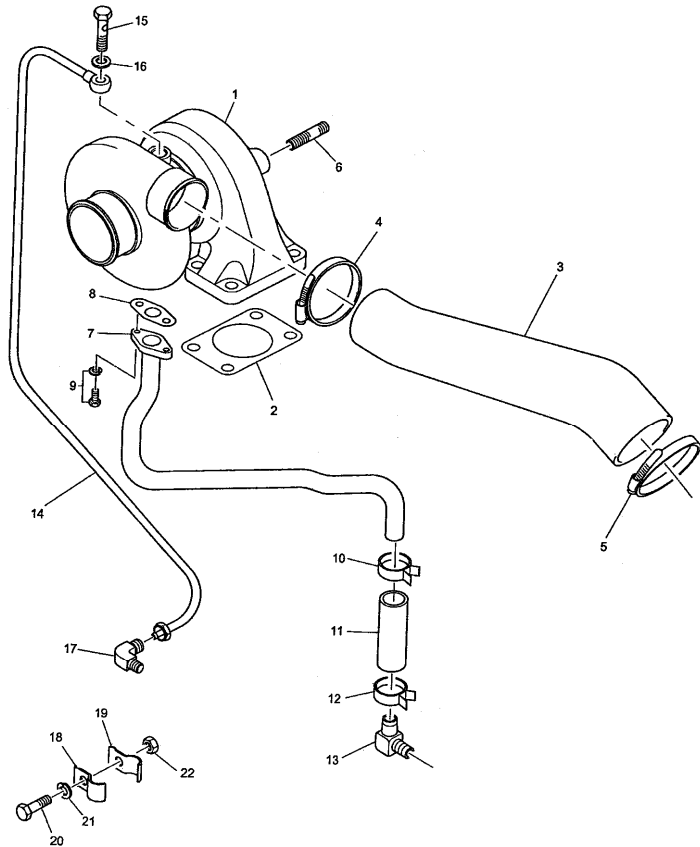
RP21\000012848.png

A-05  
03



A0503

Turbocharger



Inglese

|    |         |     |         |   |              |
|----|---------|-----|---------|---|--------------|
| 1  | MP10461 | T-A | 0:50    | 1 | Turbocharger |
| 2  | MP10129 | (X) | 1.3.5.1 | 1 | Gasket       |
|    |         | T-A | 0:50    |   |              |
| 3  | MP10462 | T-A | 0:25    | 1 | Pipe         |
| 4  | MP10132 |     |         | 1 | Clip         |
| 5  | MP10133 |     |         | 1 | Clip         |
| 6  | MP10404 |     |         | 3 | Stud         |
| 7  | MP10463 | T-A | 0:25    | 1 | Pipe         |
| 8  | MP10135 | T-A | 0:25    | 1 | Gasket       |
| 9  | MP10136 |     |         | 2 | Bolt         |
| 10 | MP10137 |     |         | 1 | Clip         |
| 11 | MP10399 | T-A | 0:25    | 1 | Pipe         |
| 12 | MP10137 |     |         | 1 | Clip         |
| 13 | MP10139 |     |         | 1 | Connection   |
| 14 | MP10464 | T-A | 0:25    | 1 | Pipe         |
| 15 | MP10141 |     |         | 1 | Bolt         |
| 16 | MP10142 |     |         | 2 | Gasket       |
| 17 | MP10408 |     |         | 1 | Connection   |
| 18 | MP10145 |     |         | 1 | Clamp        |
| 19 | MP10145 |     |         | 1 | Clamp        |
| 20 | MP10146 |     |         | 1 | Bolt         |
| 21 | MP10148 |     |         | 1 | Washer       |
| 22 | MP10147 |     |         | 1 | Nut          |

(X) Qty per tractors sold (aa.bbb.ccc.ddd) (aa) for 1,(bbb) 2-10 (ccc) 11-25 (ddd) 26-50  
T-A Replacement

Engine

CX-L Series (2004-2007) - RP21 - CX-L 85

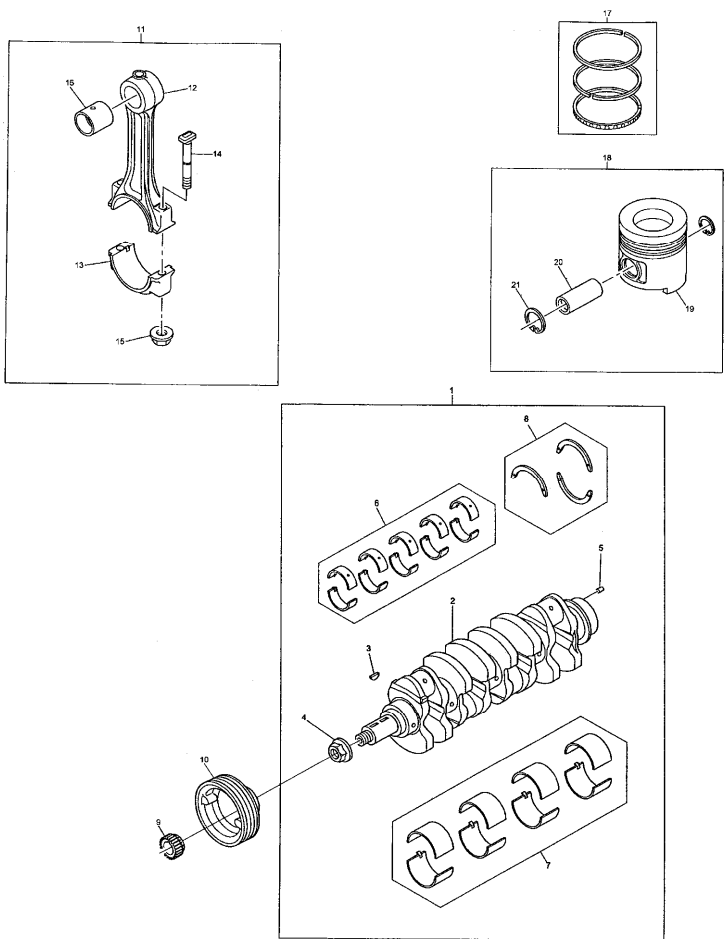
**A-05  
04**



A0504

Crankshaft, pistons and connecting rods

RP21\000012849.png



|   |           |     |           |
|---|-----------|-----|-----------|
| 1 | MPCK0003  | T-A | 18:0      |
| 2 |           | !   | 1         |
|   |           | ➡   | Ref. n. 1 |
| 3 | MP10042   | !   | 1         |
|   |           | T-A | 18:0      |
| 4 | MP10280   | !   | 1         |
| 5 | MP10103   | !   | 1         |
| 6 | MPMB0001  | !   | 1         |
|   |           |     | Std       |
|   |           | T-A | 18:0      |
| 6 | MPMB0001A | !   | 1         |
|   |           | ✘   | 0.25      |
|   |           | T-A | 18:0      |
| 6 | MPMB0001B | !   | 1         |
|   |           | ✘   | 0.50      |
|   |           | T-A | 18:0      |
| 6 | MPMB0001C | !   | 1         |
|   |           | ✘   | 0.75      |
|   |           | T-A | 18:0      |
| 7 | MPBE0002  | !   | 1         |
|   |           |     | Std       |
|   |           | T-A | 18:0      |
| 7 | MPBE0002A | !   | 1         |
|   |           | ✘   | 0.25      |
|   |           | T-A | 18:0      |

**Inglese**

- 1 Crankshaft kit
- 1 Crankshaft
- 2 Wrench
- 1 Nut
- 2 Pin
- 1 Main bearing kit
- 1 Main bearing kit
- 1 Main bearing kit
- 1 Main bearing kit
- 1 Kit
- 1 Kit

Engine

CX-L Series (2004-2007) - RP21 - CX-L 85

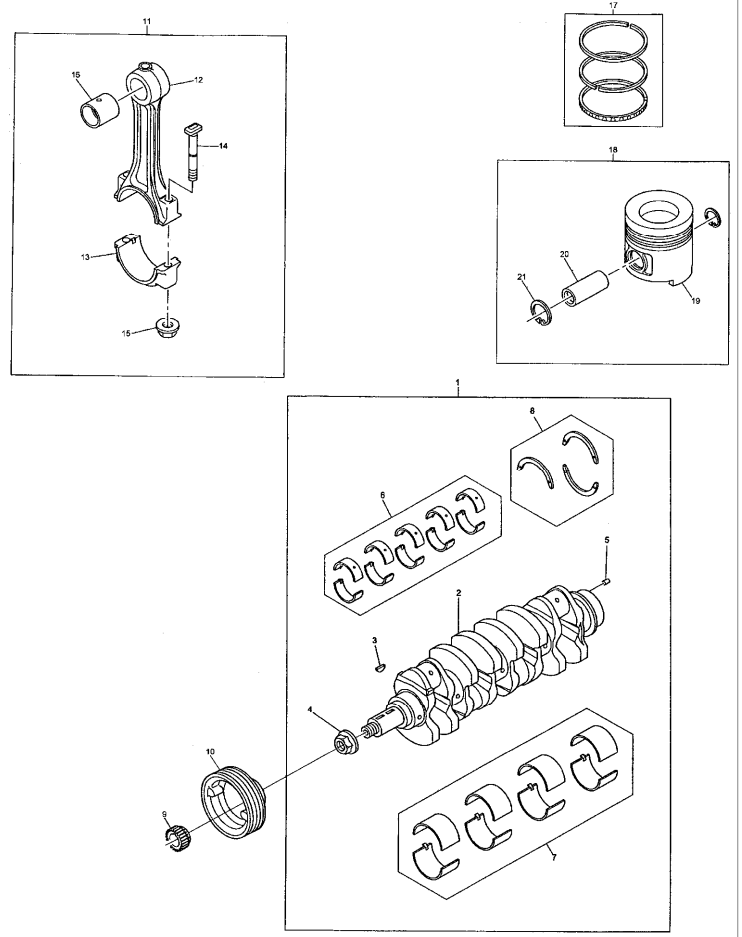
RP21\000012849.png

A-05  
04



A0504

Crankshaft, pistons and connecting rods



|    |           | Inglese                     |          |
|----|-----------|-----------------------------|----------|
| 7  | MPBE0002B | ! 1<br>X 0.50<br>T-A 18:0   | 1 Kit    |
| 7  | MPBE0002C | ! 1<br>X 0.75<br>T-A 18:0   | 1 Kit    |
| 8  | MPTW0001  | ! 1<br>Std<br>T-A 18:0      | 1 Kit    |
| 8  | MPTW0001A | ! 1<br>X 0.15<br>T-A 18:0   | 1 Kit    |
| 8  | MPTW0001B | ! 1<br>X 0.30<br>T-A 18:0   | 1 Kit    |
| 9  | MP10340   | ● MP20068(1)<br>T-A 13:0    | 1 Gear   |
| 10 | MP10105   | ➡ 07/11/05<br>B<br>T-A 2:50 | 1 Pulley |
| 10 | MP10281   | ➡ 06/11/05<br>A<br>T-A 2:50 | 1 Pulley |
| 11 | MP10278   | T-A 16:0                    | 4 Kit    |
| 12 |           | ➡ Ref. n. 11                | 1 Guard  |
| 13 |           | ➡ Ref. n. 11                | 1 Conrod |

Engine

CX-L Series (2004-2007) - RP21 - CX-L 85

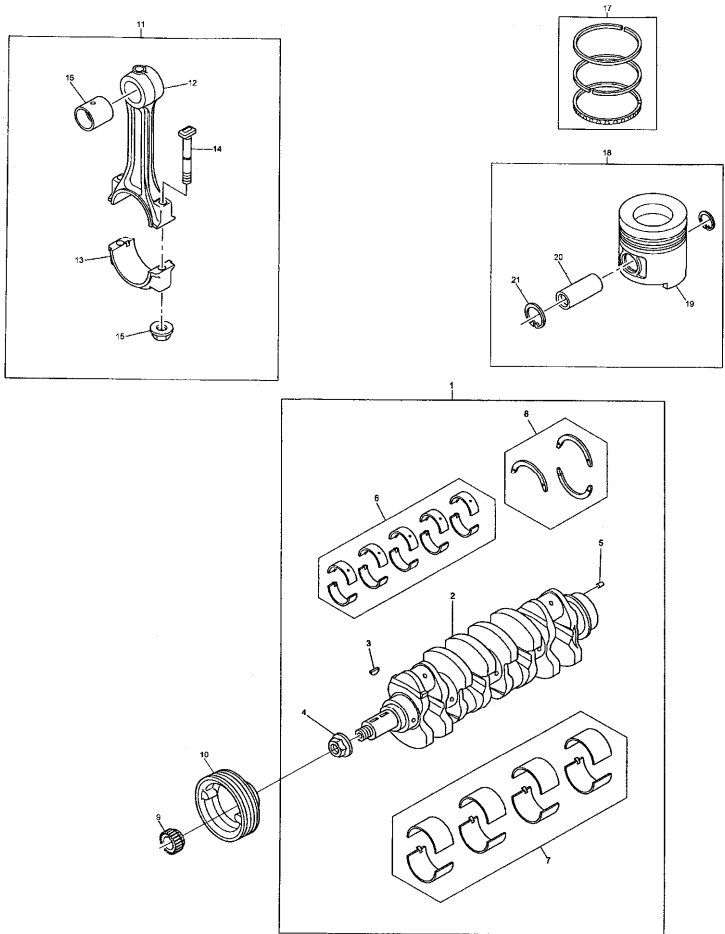
**A-05  
04**



A0504

Crankshaft, pistons and connecting rods

RP21\000012849.png



|    |           | Inglese                          |
|----|-----------|----------------------------------|
| 14 | MP10100   | 2 Screw                          |
| 15 | MP10099   | 2 Nut                            |
| 16 | MP10279   | T-A 16:0<br>1 Bush               |
| 17 | MPRK0001  | (X) 1.3.5.1<br>T-A 16:0<br>4 Kit |
| 17 | MPRK0001A | ✘ 0.25<br>T-A 16:0<br>4 Kit      |
| 17 | MPRK0001B | ✘ 0.50<br>T-A 16:0<br>4 Kit      |
| 18 | MPPK0002  | T-A 16:0<br>4 Kit                |
| 18 | MPPK0002A | ✘ 0.25<br>T-A 16:0<br>4 Kit      |
| 18 | MPPK0002B | ✘ 0.50<br>T-A 16:0<br>4 Kit      |
| 19 | !         | 18<br>1 Piston                   |
|    | ➡         | Ref. n. 18                       |
| 20 | !         | 18<br>1 Cotter                   |
|    | ➡         | Ref. n. 18                       |
| 21 | MP10097   | ! 18<br>2 Ring                   |

- ! This is a component of an assembly
- ➡ From serial or engine number
- ➡ Up to serial or engine number
- ✘ Not serviced, order
- ✘ Shim
- Replacement
- (X) Qty per tractors sold (aa.bbb.ccc.ddd) (aa) for 1,(bbb) 2-10 (ccc) 11-25 (ddd) 26-50
- T-A Replacement



Engine

CX-L Series (2004-2007) - RP21 - CX-L 85

RP21\000012849.png

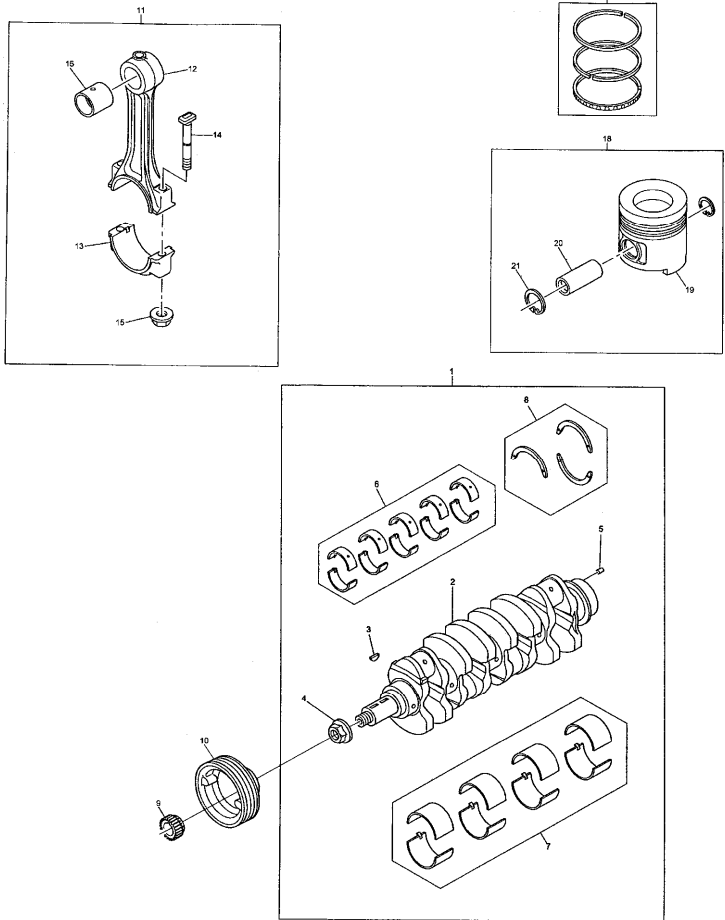
A-05  
04



A0504

Crankshaft, pistons and connecting rods

- A 1 groove
- B 2 grooves





Engine

CX-L Series (2004-2007) - RP21 - CX-L 85

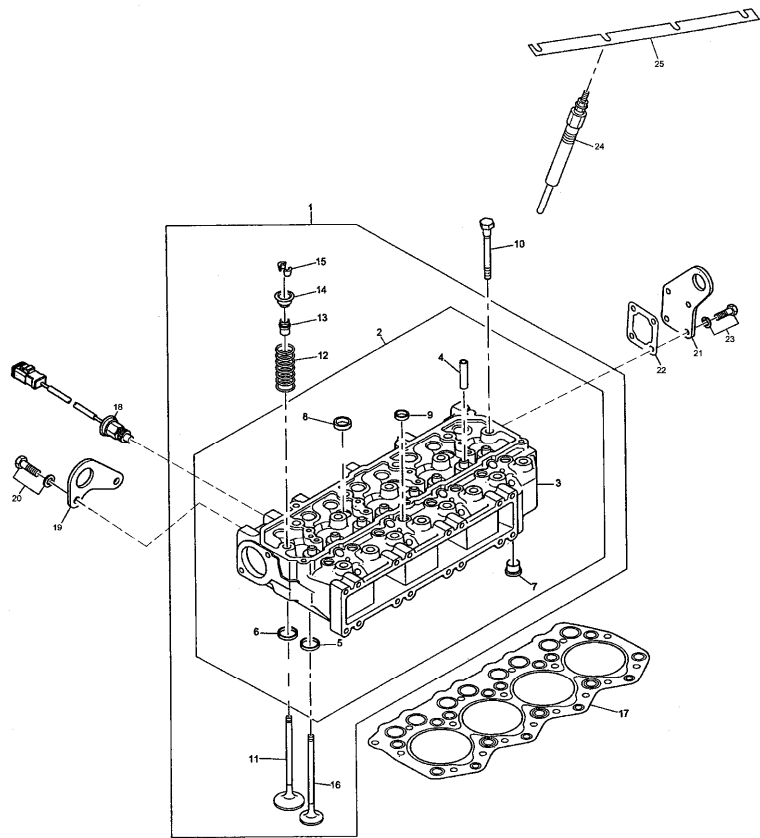
RP21\000012850.png

A-05  
05



A0505

Cylinder head - plate c



Inglese

|    |         |          |   |        |
|----|---------|----------|---|--------|
| 20 | MP10010 | M8x16    | 2 | Bolt   |
| 21 | MP10011 | B        | 1 | Eye    |
| 22 | MP10013 |          | 1 | Gasket |
| 23 | MP10012 | M8x20    | 4 | Bolt   |
| 24 | MP10238 | T-A 0:25 | 4 | Plug   |
| 25 | MP10433 | T-A 0:25 | 1 | Bar    |

Not serviced, order

Replacement

(X) Qty per tractors sold (aa.bbb.ccc.ddd) (aa) for 1,(bbb) 2-10 (ccc) 11-25 (ddd) 26-50

T-A Replacement

T-B Overhaul

A Front

B Rear

C Water temperature

Engine

CX-L Series (2004-2007) - RP21 - CX-L 85

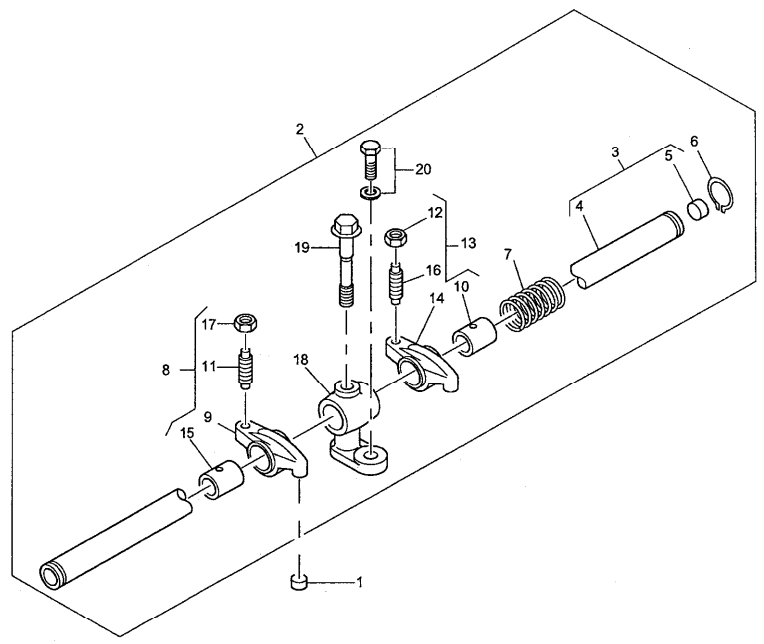
RP21\000012851.png

**A-05  
06**



A0506

Rocker shaft



|    |         |                     |  | Inglese   |
|----|---------|---------------------|--|-----------|
| 1  | MP10033 | T-A 1:25            |  | 4 Pad     |
| 2  | MP10270 | A                   |  | 1 Kit     |
|    |         | T-A 2:0             |  |           |
| 3  | MP10017 | B                   |  | 1 Kit     |
|    |         | T-A 4:0             |  |           |
| 4  |         | ➤ Ref. n. 3         |  | 1 Shaft   |
| 5  | MP10018 |                     |  | 2 Plug    |
| 6  | MP10019 |                     |  | 2 Ring    |
| 7  | MP10020 | T-A 4:0             |  | 3 Spring  |
| 8  | MP10021 | T-A 1:50            |  | 4 Kit     |
| 9  |         | ➤ Ref. n. 8         |  | 1 Arm     |
| 10 |         | ➤ Ref. n. 8         |  | 1 Shim    |
| 11 | MP10022 |                     |  | 1 Screw   |
| 12 | MP10023 |                     |  | 1 Nut     |
| 13 | MP10021 | T-A 1:50            |  | 4 Kit     |
| 14 |         | ➤ Ref. n. 13        |  | 1 Arm     |
| 15 |         | ➤ Ref. n. 13        |  | 1 Shim    |
| 16 | MP10022 |                     |  | 1 Screw   |
| 17 | MP10023 |                     |  | 1 Nut     |
| 18 | MP10024 |                     |  | 4 Stirrup |
| 19 | MP10025 |                     |  | 4 Bolt    |
| 20 | MP10026 | M8x25               |  | 1 Bolt    |
|    | ➤       | Not serviced, order |  |           |
|    | T-A     | Replacement         |  |           |
|    | A       | Greater             |  |           |

Engine

CX-L Series (2004-2007) - RP21 - CX-L 85

RP21\000012851.png

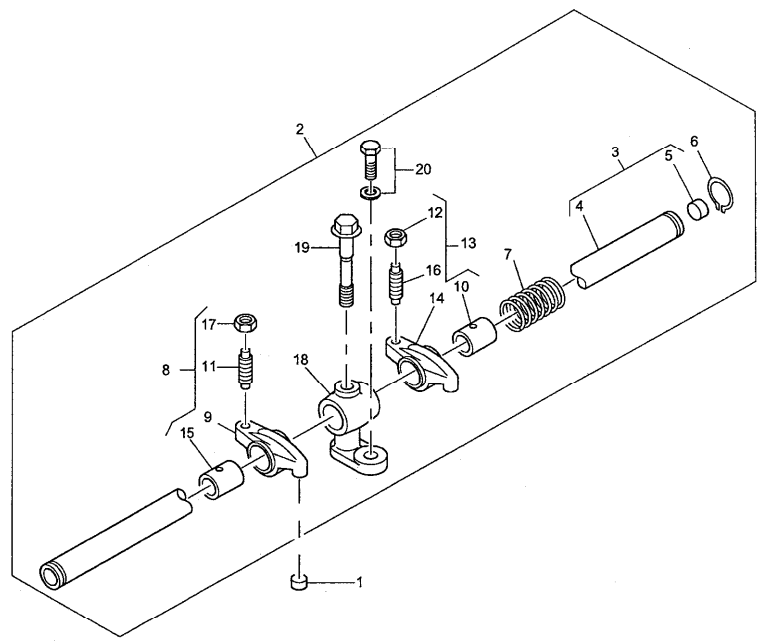
A-05  
06



A0506

Rocker shaft

B Less



Engine

CX-L Series (2004-2007) - RP21 - CX-L 85

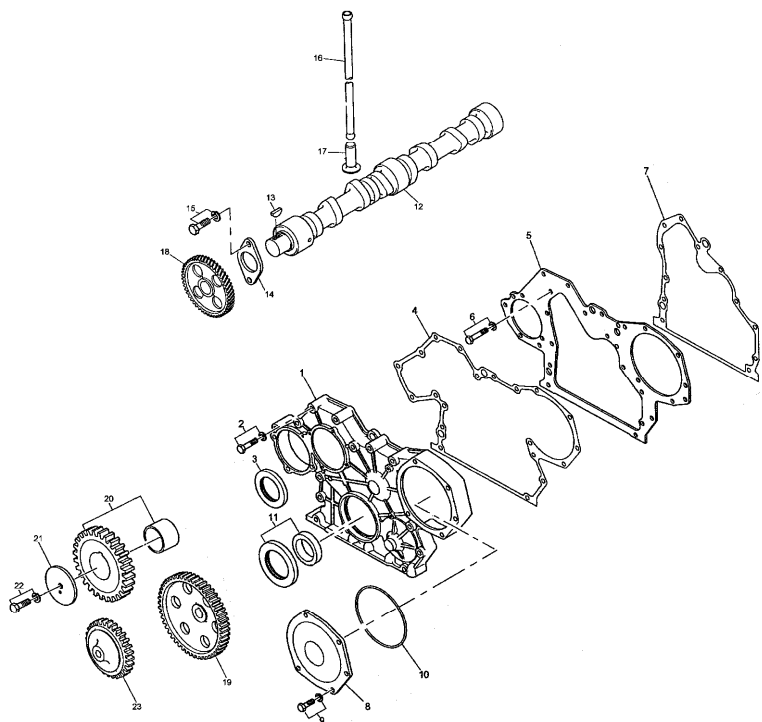
RP21\000012852.png

A-05  
07



A0507

Timing gear and camshaft



|    |              | Inglese     |
|----|--------------|-------------|
| 1  | MP10334      | 1 Crankcase |
|    | ● MP10539(1) |             |
|    | T-A 4:50     |             |
| 2  | MP10070      | 13 Bolt     |
|    | M8x55        |             |
| 3  | MP10072      | 1 Ring      |
| 4  | MP10335      | 1 Gasket    |
|    | (X) 1.3.5.1  |             |
|    | T-A 4:50     |             |
| 5  | MP10333      | 1 Disc      |
|    | T-A 4:50     |             |
| 6  | MP10075      | 5 Bolt      |
|    | M8x55        |             |
| 7  | MP10069      | 1 Gasket    |
|    | (X) 1.3.5.1  |             |
|    | T-A 4:75     |             |
| 8  | MP10438      | 1 Guard     |
| 9  | MP10046      | 5 Bolt      |
|    | M8x16        |             |
| 10 | MP10074      | 1 Ring      |
| 11 | MP10071      | 1 Ring      |
|    | T-A 4:75     |             |
| 12 | MP10041      | 1 Shaft     |
|    | T-A 12:50    |             |
| 13 | MP10042      | 1 Wrench    |
| 14 | MP10045      | 1 Disc      |
|    | T-A 4:0      |             |
| 15 | MP10046      | 2 Bolt      |
|    | M8x16        |             |
| 16 | MP10043      | 8 Rod       |
|    | T-A 2:50     |             |
| 17 | MP10044      | 8 Plug      |
|    | T-A 12:50    |             |
| 18 | MP10336      | 1 Gear      |
|    | ■ 52         |             |
|    | T-A 4:50     |             |
| 19 | MP10387      | 1 Gear      |
|    | T-A 4:50     |             |
| 20 | MP10338      | 1 Gear      |
|    | ■ 57         |             |
|    | T-A 4:50     |             |

**Buy Now**



Our support email:

[ebooklibonline@outlook.com](mailto:ebooklibonline@outlook.com)