

Engine

C-MAX Tier 2 (2003-) - RS20 - 60

RS20\00002416.png

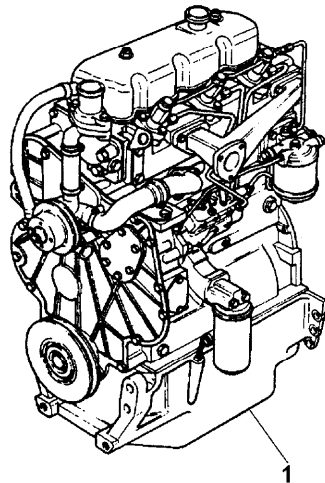
A-05
01



A0501

Engine assembly

4-0011-050-A



Inglese

-	A		
1	3671102M91	"perkins - dc81434	1 Engine
	D		
	T-A	7:0	
	T-B	27:0	
1	4208619M91	➡ 01/02/08	1 Engine
		"perkins - dc8169€	
	B		
1	4208620M91	➡ 01/02/08	1 Engine
		"perkins - dc8169€	
	C		
➡	From serial or engine number		
T-A	Replacement		
T-B	Overhaul		
A	Green engine		
B	For market "ue"		
C	For market "epa"		
D	For other markets		

Engine

C-MAX Tier 2 (2003-) - RS20 - 60

RS20\00002415.png

A-05
011



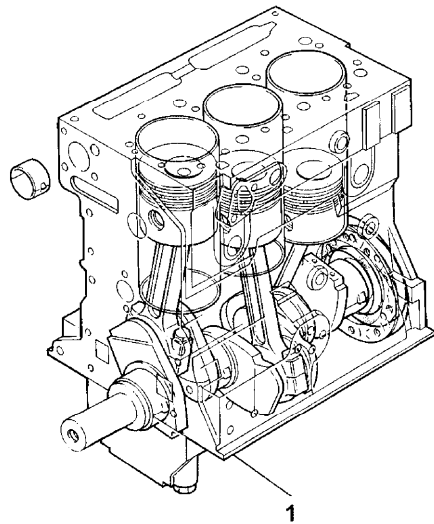
A05011

Short engine

4-ACHL-032-A

1 DC39164 T-A 25:0
T-A Replacement

Inglese
1 Engine



Engine

C-MAX Tier 2 (2003-) - RS20 - 60

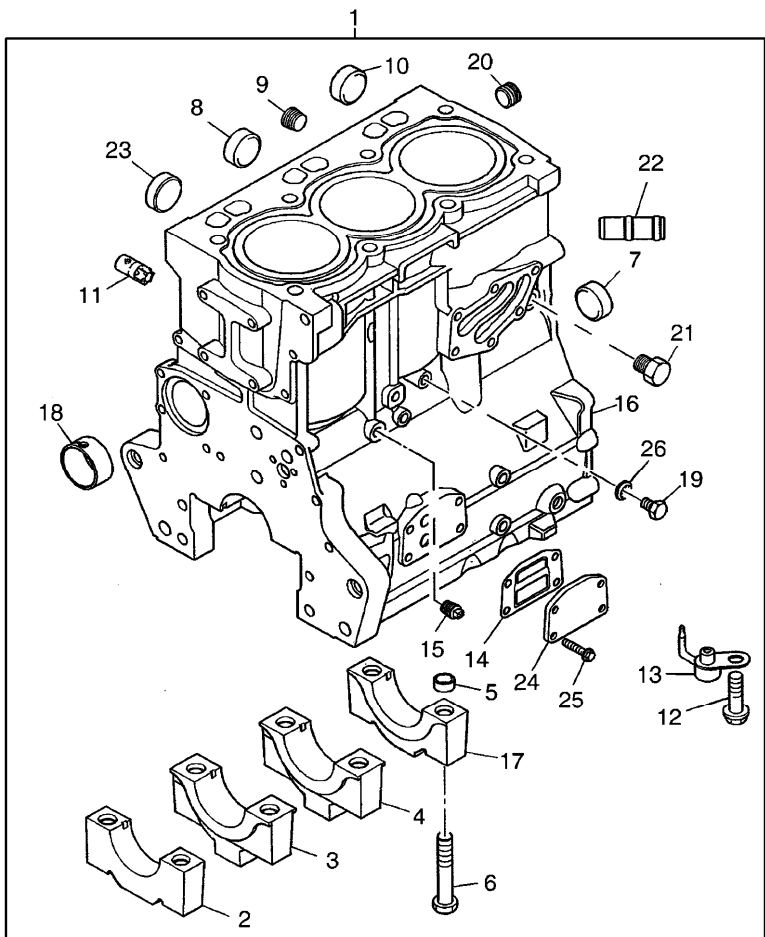
A-05
02



A0502

Cylinder block

RS20\000015153.png



			Inglese
1	4181V016	T-A 27:0	1 Cylinder block
2		! 1	1 Bearing
3		➡ Ref.n.1	1 Bearing
4		! 1	1 Bearing
5	33142111	! 1	8 Manicott
6	32166329	! 1	8 Screw
7	3241A012	! 1	1 Plug
8	3241A011	! 1	2 Plug
9	0650588	! 1	1 Plug
10	0650710	T-A 0:25	1 Plug
11	3212V006	! 1	1 Plug
12	2314F001	! 1	3 Screw
13	2113A003	! 1	3 Atomiser
14	3688A039	! 1	2 Gasket
15	0650594	! 1	1 Plug
16		! 1	1 Cylinder
17		➡ Ref. n. 1	1 Bearing
		! 1	
		➡ Ref. n. 1	

Engine

C-MAX Tier 2 (2003-) - RS20 - 60

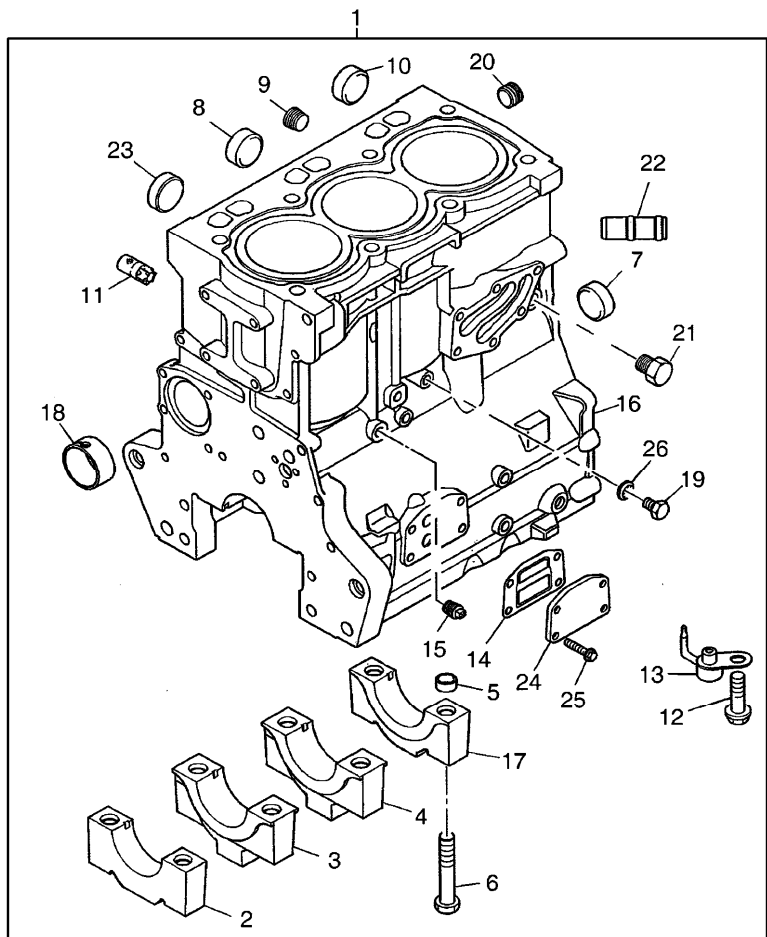
A-05
02



A0502

Cylinder block

RS20\000015153.png



		Inglese		
18	3112D071	!	1	1 Bush
		●	3112D075(1)	
19	2314C049	!	1	1 Screw
20	3212P008	!	1	1 Plug
21	32141316	!	1	1 Plug
22	3313A022	!	1	1 Pipe
23	2485A108	!	1	1 Plug
24	3623A009	!	1	2 Plate
25	2314H033	!	1	8 Screw
26	2415D053	!	1	1 Washer

- ! This is a component of an assembly
- ▣ Not serviced, order
- Replacement
- T-A Replacement

Engine

C-MAX Tier 2 (2003-) - RS20 - 60

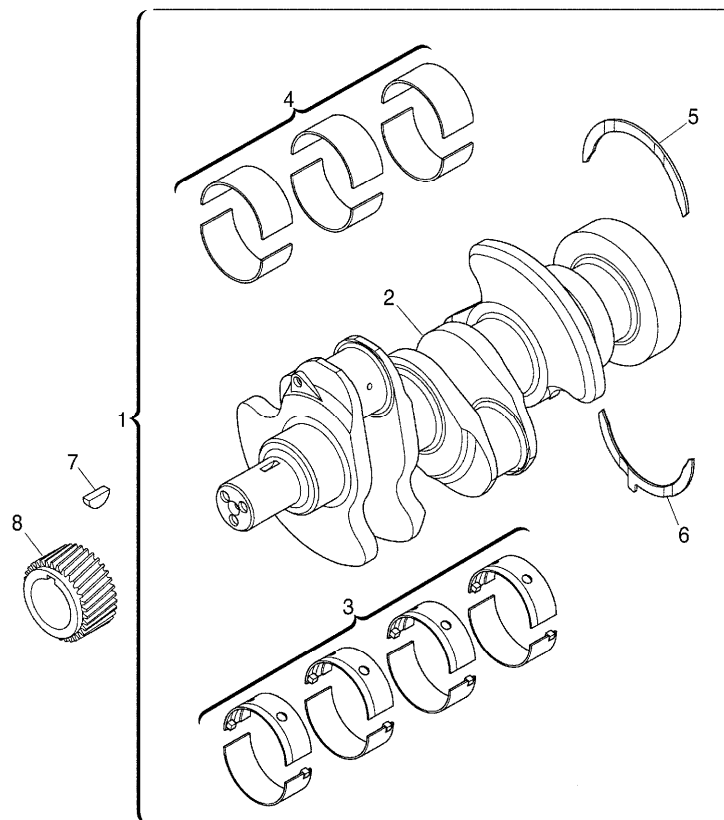
**A-05
03**



A0503

Camshaft

RS20\000020599.png



Inglese

1	4181V017	T-A	15:0	1	Shaft
2		!	1	1	Shaft
		➡	Ref.n.1		
3	U5MB0019	!	1	1	Kit
		●	U5MB0037(1)		
		T-A	15:0		
3	U5MB0019A	!	1	1	Kit
		⚡	-0,25mm		
3	U5MB0019B	!	1	1	Kit
		⚡	-0,50mm		
		●	U5MB0037B(1)		
3	U5MB0019C	!	1	1	Kit
		⚡	-0,75mm		
4	U5ME0027	!	1	1	Kit
		●	U5ME0033(1)		
		T-A	15:0		
5	31137312	⚡	0.007"	2	Ring
		!	1		
		T-A	15:0		
5	31137551	!	1	2	Washer
		T-A	15:0		
6	31137322	!	1	2	Ring
		⚡	0.007"		
		T-A	15:0		
6	31137561	!	1	2	Washer
		T-A	15:0		

Engine

C-MAX Tier 2 (2003-) - RS20 - 60

RS20\000020599.png

A-05
03



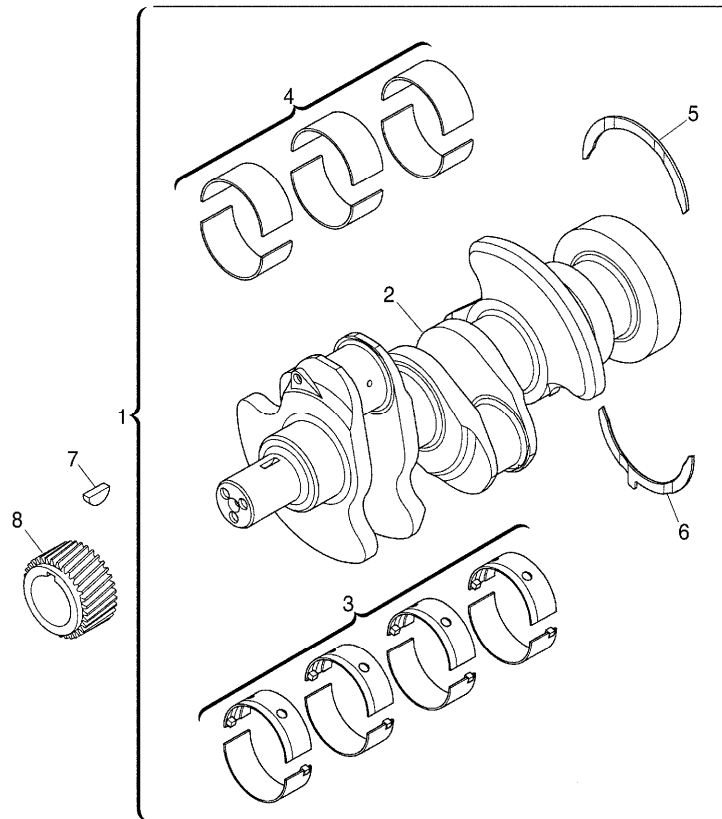
A0503

Camshaft

Inglese

- 7 3117C221 T-A 10:0 1 Gear
- 8 0500012 T-A 10:0 1 Key

- ! This is a component of an assembly
- Not serviced, order
- Shim
- Replacement
- T-A Replacement



Engine

C-MAX Tier 2 (2003-) - RS20 - 60

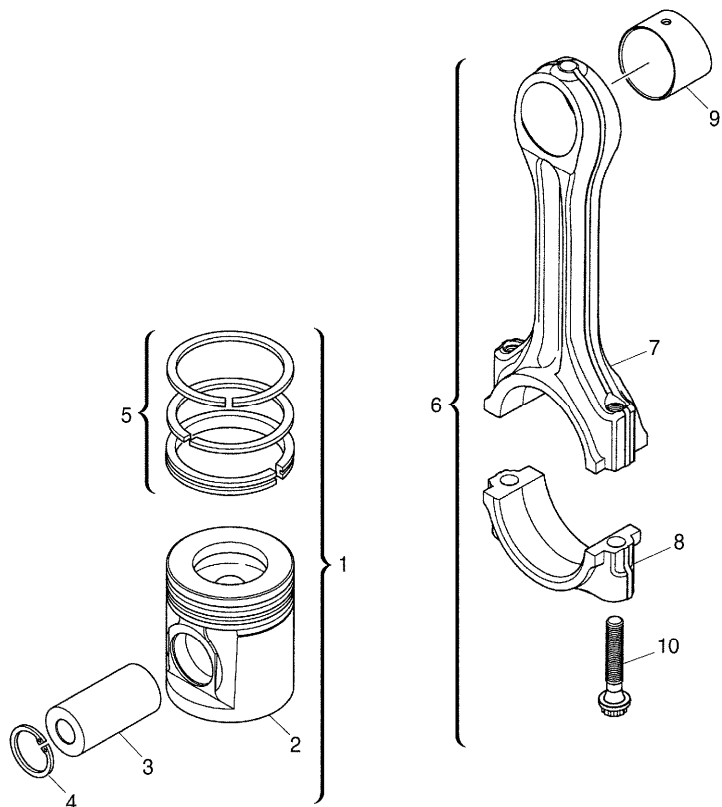
RS20\000020600.png

A-05
04



A0504

Pistons and connecting rods



				Inglese
1	4115P011	T-A 14:0		3 Kit
2		! 1		1 Piston
		➡ Ref.n.1		
3		! 1		1 Bush
		➡ Ref.n.1		
4	2721332	! 1		2 Ring
5	UPRK0003	! 1		1 Kit
		(X) 0.2.5.		
		T-A 11:25		
6	4115C311	B		3 Kit
		T-A 14:0		
6	4115C312	C		3 Kit
		T-A 14:0		
6	4115C313	D		3 Kit
		T-A 14:0		
6	4115C314	E		3 Kit
		T-A 14:0		
6	4115C315	F		3 Kit
		T-A 14:0		
6	4115C316	G		3 Kit
		T-A 14:0		
7		! 6		1 Conrod
		➡ Ref.n.6		
8		! 6		1 Cap
		➡ Ref.n.6		

Engine

C-MAX Tier 2 (2003-) - RS20 - 60

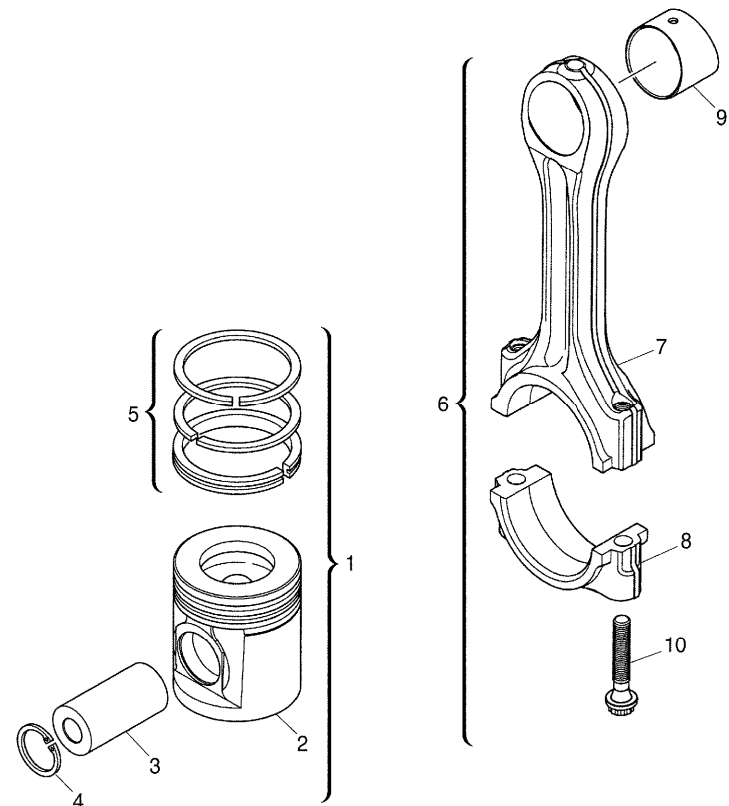
RS20\000020600.png

A-05
04



A0504

Pistons and connecting rods



9 3112A005 ! 6

T-A 14:0

10 3212V003 ! 6

A

Inglese

1 Bush

2 Screw

! This is a component of an assembly

Not serviced, order

(X) Qty per tractors sold (aa.bbb.ccc.ddd) (aa) for 1,(bbb) 2-10 (ccc) 11-25 (ddd) 26-50

T-A Replacement

A Do not reuse once it has been removed

B Red

C Orange

D White

E Green

F Purple

G Blue

Engine

C-MAX Tier 2 (2003-) - RS20 - 60

RS20\000020598.png

A-05
05



A0505

End cover

1 2418F704 T-A 9:0

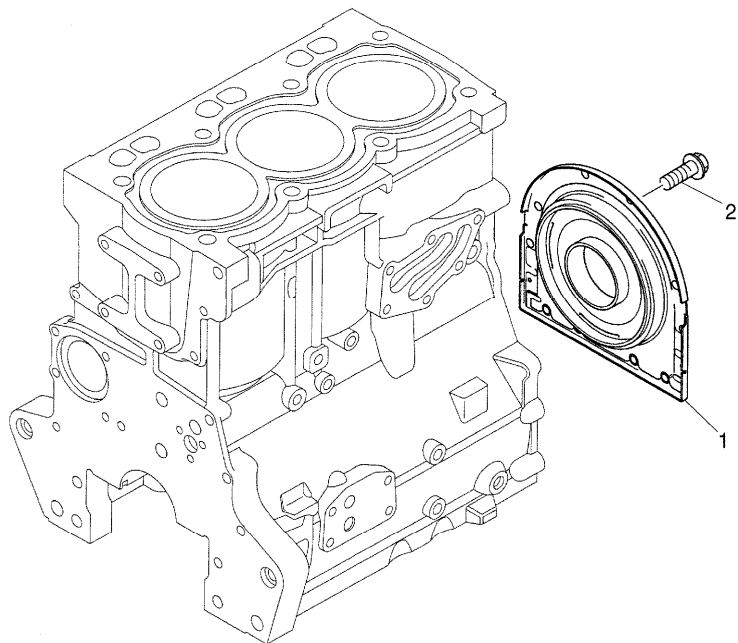
2 3211C002

T-A Replacement

Inglese

1 Housing

10 Screw



Engine

C-MAX Tier 2 (2003-) - RS20 - 60

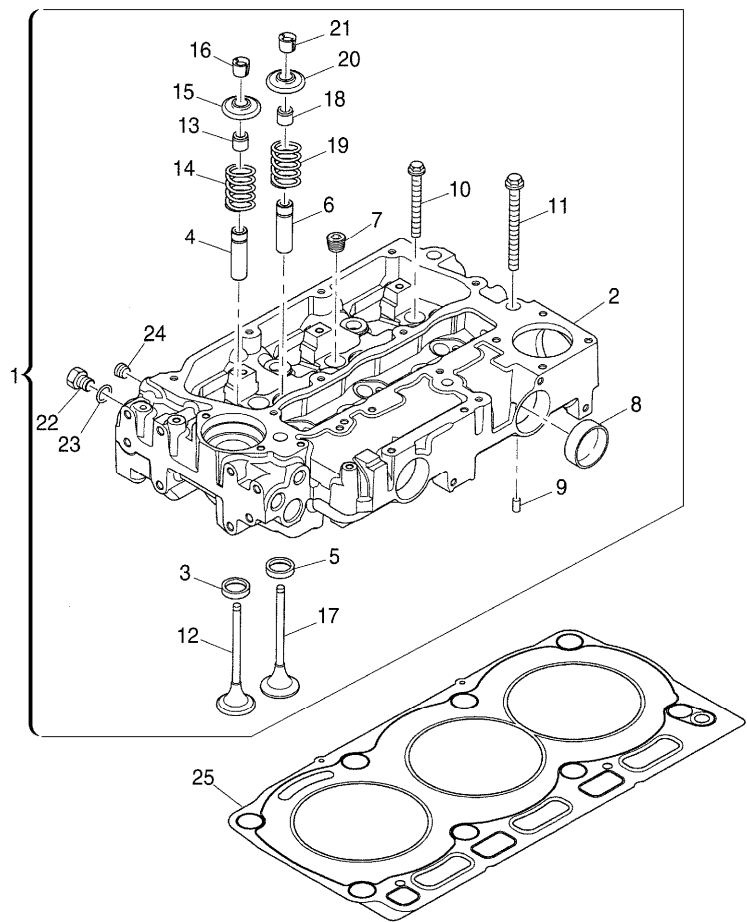
**A-05
06**



A0506

Cylinder head

RS20\000020601.png



1	4181V039	T-A 4:0
		T-B 7:50
2	!	1
3	3314A241	! 1
		➡ Ref.n.1
		T-A 7:50
4	3313A012	! 1
		T-A 7:50
5	3314A231	! 1
		T-A 7:50
6	3313A012	! 1
		T-A 7:50
7	0650588	! 1
8	32416117	! 1
9	3244A009	! 1
10	3218A011	! 1
11	3218A012	! 1
12	3142H071	! 1
		T-A 7:50
13	2418M519	T-A 3:0
14	3174A016	! 1
		T-A 3:0
15	3342A011	! 1
		T-A 3:0
16	3142W004	! 1
		T-A 3:0

Inglese

1	Head
1	Cylinder head
3	Insert
3	Insert
3	Insert
3	Insert
3	Plug
3	Plug
2	Dowel
5	Screw
3	Screw
3	Valve
3	Ring
3	Spring
3	Cover
6	Cotter

Engine

C-MAX Tier 2 (2003-) - RS20 - 60

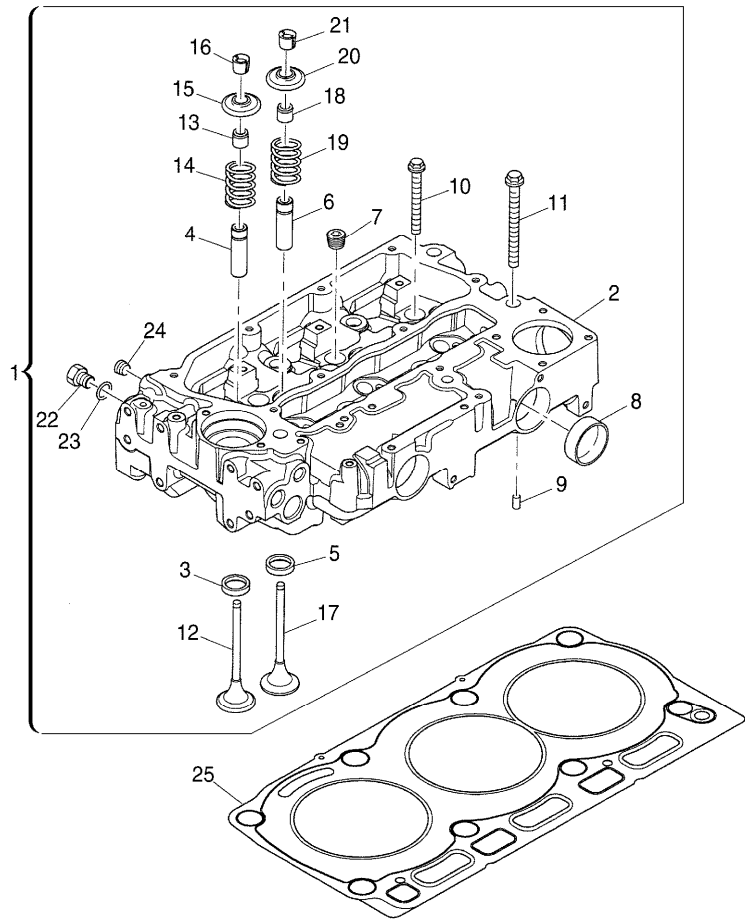
**A-05
06**



A0506

Cylinder head

RS20\000020601.png



Inglese

17	3142A151	!	1	3	Valve
		T-A	7:50		
18	2418M517	!	1	3	Ring
		T-A	3:0		
19	3174A016	!	1	3	Spring
		T-A	3:0		
20	3342A011	!	1	3	Cover
		T-A	3:0		
21	3142W004	!	1	6	Cotter
		T-A	3:0		
22	3278A006	!	1	1	Plug
23	2415H003	!	1	1	Ring
24	2431154	!	1	3	Plug
25	3681E049	(X)	1.2.5.	1	Gasket
		T-A	4:0		

! This is a component of an assembly

Not serviced, order

(X) Qty per tractors sold (aa.bbb.ccc.ddd) (aa) for 1,(bbb) 2-10 (ccc) 11-25 (ddd) 26-50

T-A Replacement

T-B Overhaul

Engine

C-MAX Tier 2 (2003-) - RS20 - 60

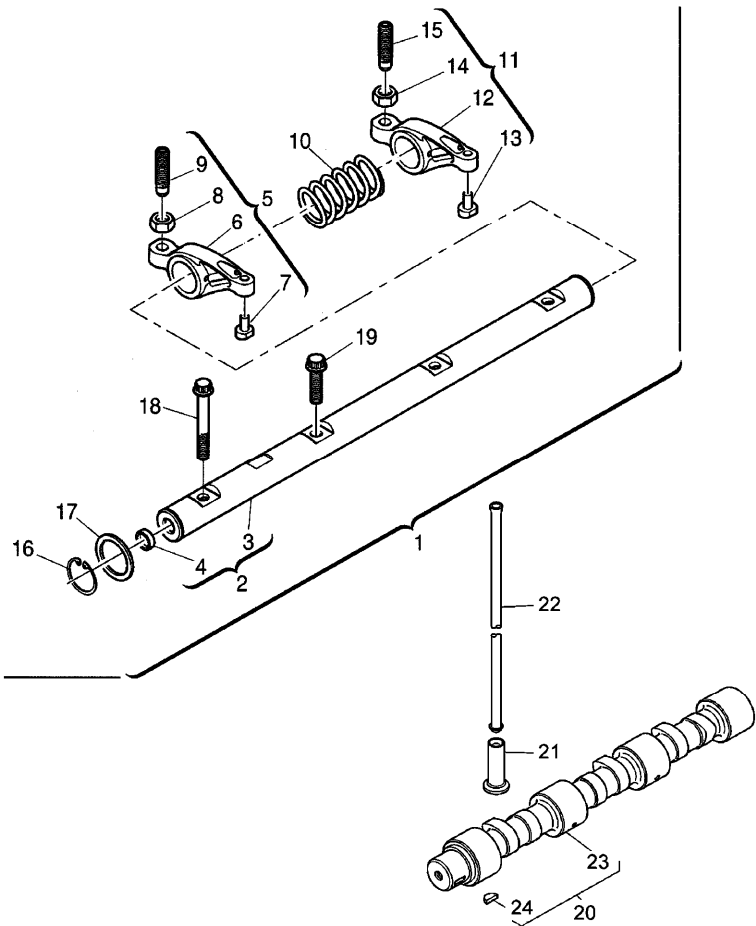
RS20\000015155.PNG

A-05
07



A0507

Rocker shaft



				Inglese
1	4115R611	T-A 4:0		1 Shaft
2	4115R702	! 1		1 Shaft
		T-A 4:0		
3		! 2		1 Rockerarm
		➡ Ref.n.2		
4	2485A104	! 2		2 Plug
5	4115R314	! 1		4 Rocker
		T-A 4:0		
6		! 5		1 Rocker
		➡ Ref.n.5		
7		! 5		1 Pad
		➡ Ref.n.5		
8	0576052	! 5		1 Nut
9	32114145	! 5		1 Screw
10	3174A015	! 1		3 Spring
		T-A 4:0		
11	4115R315	! 1		4 Rocker
		T-A 4:0		
12		! 11		1 Rocker
		➡ Ref.n.11		
13		! 11		1 Pad
		➡ Ref.n.11		
14	0576052	! 11		1 Nut
15	32114145	! 11		1 Screw
		T-A 1:25		
16	2722A022	! 1		2 Ring

Engine

C-MAX Tier 2 (2003-) - RS20 - 60

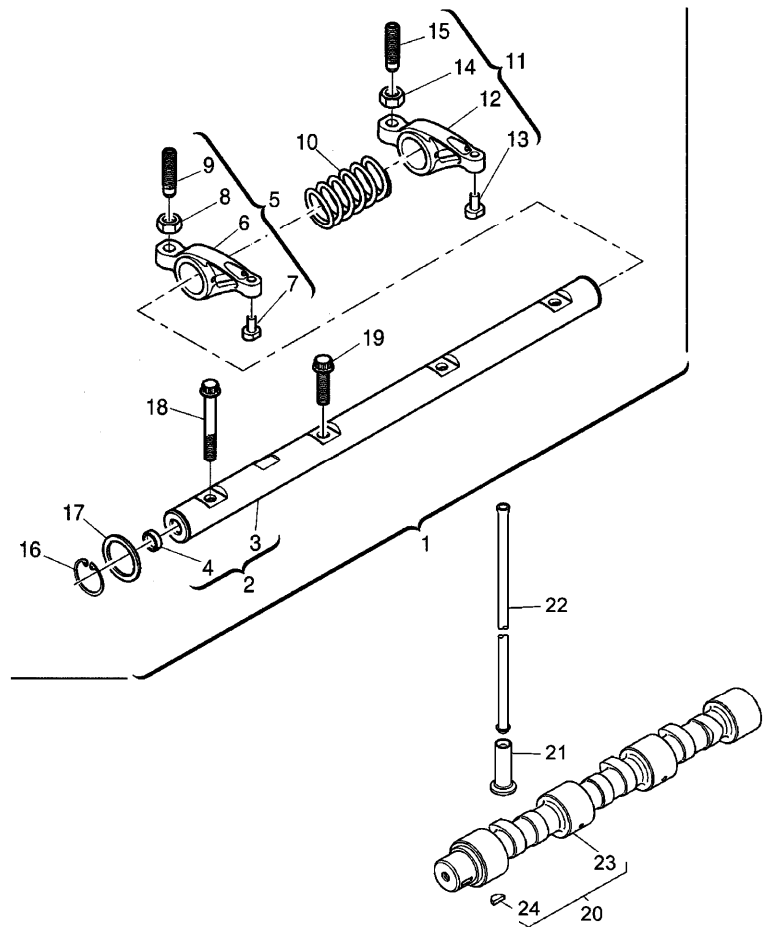
RS20\000015155.PNG

A-05
07



A0507

Rocker shaft



Inglese

17	2134A502	!	1	2	Washer
18	2316A901	!	1	1	Screw
19	2316A902	!	1	3	Screw
20	4112k047	T-A	15:0	1	Shaft
21	3142U991	T-A	15:25	6	Tappet
22	31434307	T-A	2:75	6	Rod
23		!	20	1	Shaft
		➡	Ref.n.20		
24	0500012	!	20	1	Key

! This is a component of an assembly

➡ Not serviced, order

T-A Replacement

Engine

C-MAX Tier 2 (2003-) - RS20 - 60

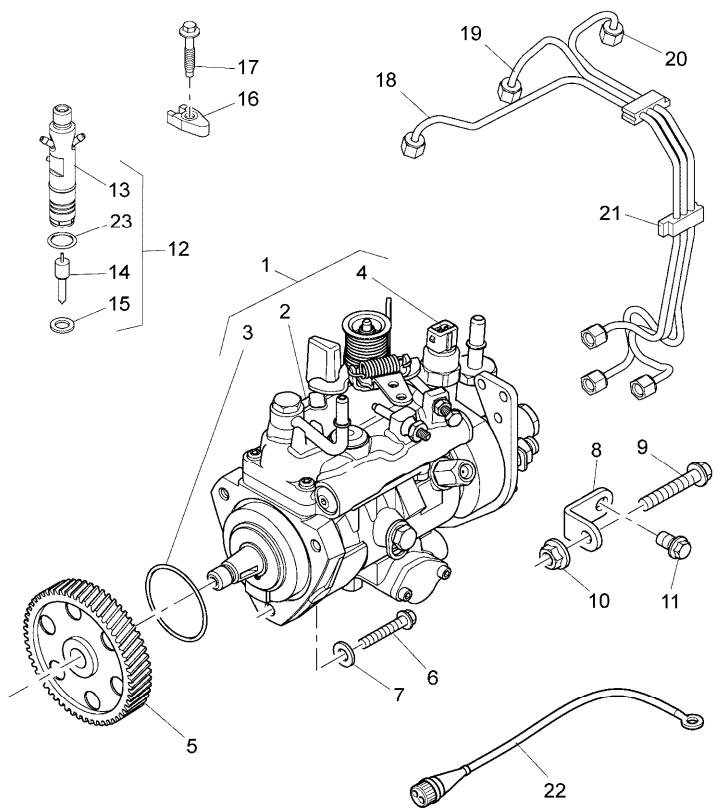
RS20\000015025.png

**A-05
08**



A0508

Fuel injection equipment (diesel)



				Inglese
1	2643B328	T-A	5:0	1 Pump
2		!	1	1 Pump
		➡	Ref.n.1	
3	26420318	!	1	1 Ring
		T-A	4:50	
4	26420469	!	1	1 Solenoid
		(X)	1.2.5.	
		T-A	0:25	
		T-A	4:50	
5	3117L261			1 Gear
6	2314H004			3 Screw
7	2411D008			3 Washer
8	3641A007			1 Stirrup
9	2314H004			1 Screw
10	2318A603			1 Nut
11	2314J002			1 Screw
12	2645K016	T-A	2:0	3 Atomiser
13		!	12	1 Atomiser
		➡	Ref.n.12	
14	2645K613	!	12	1 Nozzle
		T-A	2:0	
15	L311FF02	!	12	1 Washer
		T-A	2:0	
16	3751A241	(X)	1.4.8.1	3 Clamp
		T-A	2:0	
17	2314W009			3 Screw

Buy Now



Our support email:

ebooklibonline@outlook.com