

Engine

C-MAX Tier 2 (2003-) - RS20 - 75

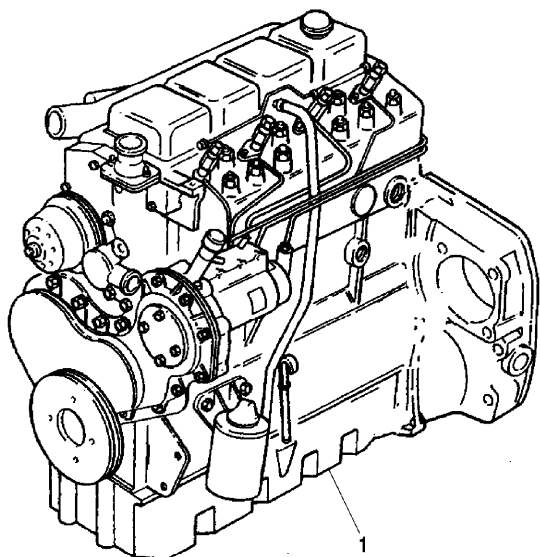
RS20\000020625.png

A-05
01



A0501

Engine assembly



Inglese

-	A		
1	3671103M91	"perkins - re37928	1 Engine
	D		
	T-A	7:0	
	T-B	30:0	
1	4208195M91	➔ 01/02/08	1 Engine
		"perkins - re81663	
	B		
1	4208199M91	➔ 01/02/08	1 Engine
		"perkins - re81664	
	C		
➔	From serial or engine number		
T-A	Replacement		
T-B	Overhaul		
A	Green engine		
B	For market "ue"		
C	For market "epa"		
D	For other markets		

Engine

C-MAX Tier 2 (2003-) - RS20 - 75

RS20\00002787.png

A-05
011



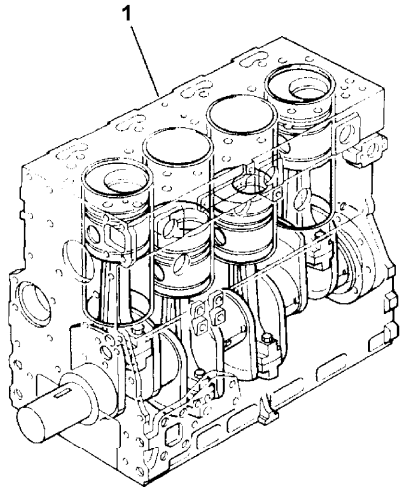
A05011

Short engine

Inglese

- | | | | | | |
|---|---------|---|----------------------------------|---|--------------|
| 1 | RE40002 | ➔ | U491476 t | 1 | Engine |
| | | ● | 3115A141(1),
32186146(3), RE4 | | |
| 1 | RE40021 | ➔ | U491477 t | 1 | Short engine |

- ➔ From serial or engine number
- ➔ Up to serial or engine number
- Replacement



Engine

C-MAX Tier 2 (2003-) - RS20 - 75

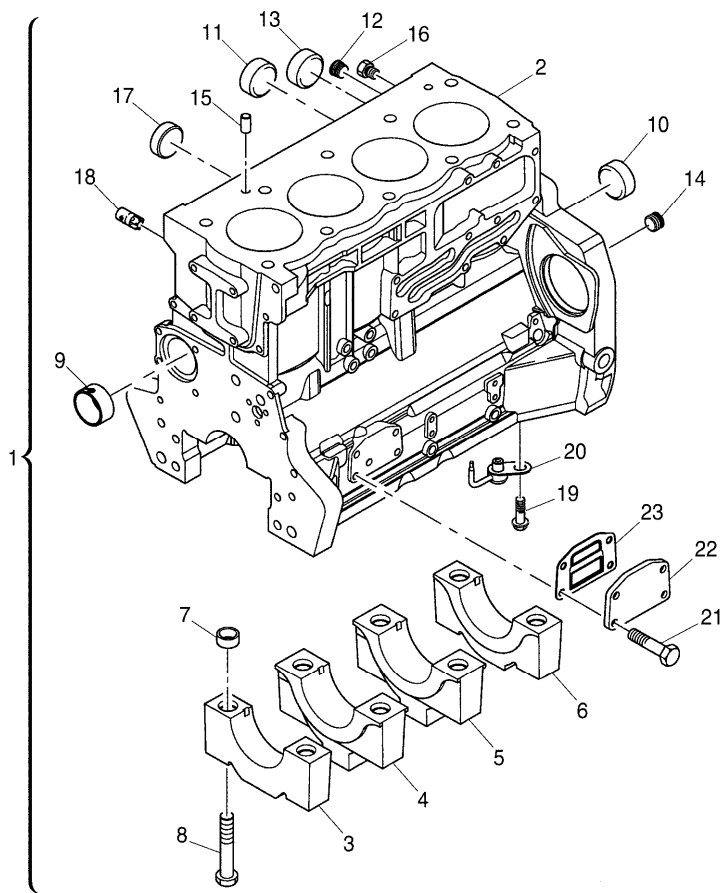
A-05
02



A0502

Cylinder block

RS20\000020523.png



		Inglese	
1	ZZ50312	● ZZ50325(1)	1 Kit
		T-A 30:0	
2		! 1	1 Cylinder block
		➡ Ref.n.1	
3		! 1	1 Bearing
		➡ Ref.n.1	
4		! 1	2 Bearing
		➡ Ref.n.1	
5		! 1	1 Bearing
		➡ Ref.n.1	
6		! 1	1 Bearing
		➡ Ref.n.1	
7	33142111	! 1	10 Manicott
8	32166329	! 1	10 Screw
9	3112D071	! 1	1 Bush
		● 3112D075(1)	
10	3241A012	! 1	1 Plug
11	3241A011	! 1	2 Plug
12	0650588	! 1	1 Plug
13	0650710	! 1	1 Plug
14	3212P008	! 1	1 Plug
15	3244A009	! 1	2 Dowel
16	32141316	! 1	2 Plug
17	2485A108	! 1	1 Plug
18	3212V006	! 1	1 Plug

Engine

C-MAX Tier 2 (2003-) - RS20 - 75

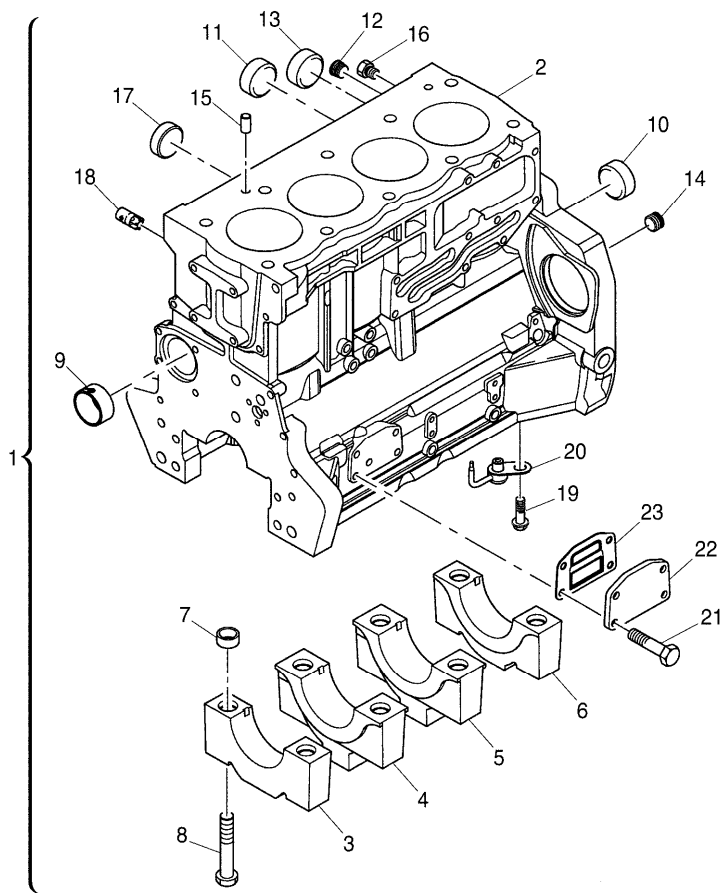
RS20\000020523.png

A-05
02



A0502

Cylinder block



19	2314F001	!	1
20	2113A003	!	1
21	2314H033	!	1
22	3623A009	!	1
		T-A	0:25
23	3688A039	!	1
		T-A	0:25

Inglese

4	Screw
4	Atomiser
4	Screw
1	Plate
1	Gasket

- ! This is a component of an assembly
- ▣ Not serviced, order
- Replacement
- T-A Replacement

Engine

C-MAX Tier 2 (2003-) - RS20 - 75

A-05
03

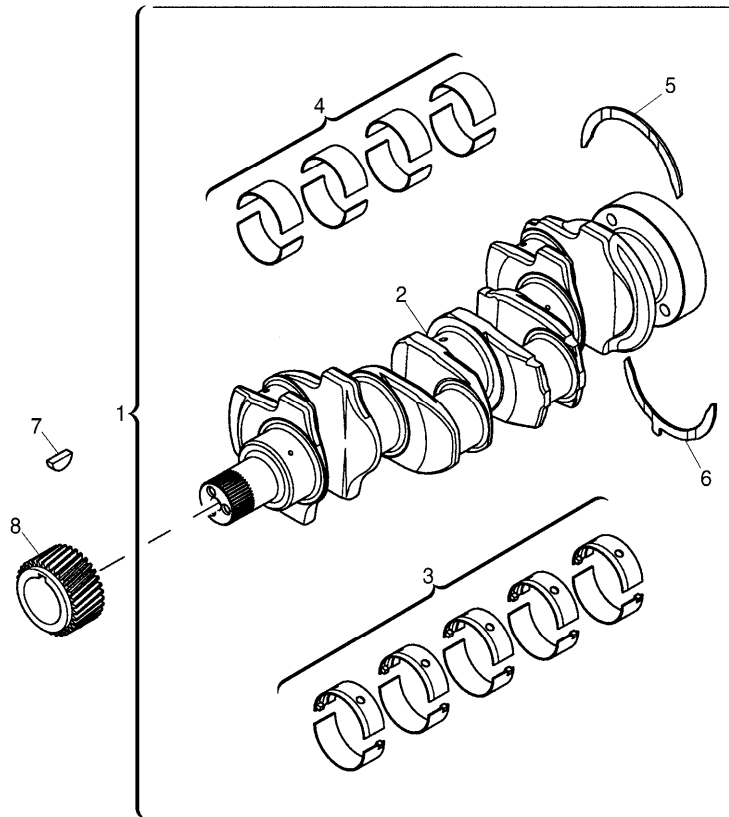


A0503

Crankshaft

RS20\000020524.png

Inglese



1	ZZ90224	➔	U491476 t	1	Kit
		●	ZZ90239(1)		
		T-A	15:0		
1	ZZ90237	➔	U491477 t	1	Shaft
2		!	1	1	Shaft
		➔	Ref.n.1		
3	U5MB0018	!	1	1	Kit
		➔	U491476 t		
		●	U5MB0033(1)		
		T-A	15:0		
3	U5MB0018A	!	1	1	Kit
		⚡	0.010"		
		➔	U491476 t		
		●	U5MB0033A(1)		
		T-A	15:0		
3	U5MB0018B	!	1	1	Kit
		⚡	0.020"		
		➔	U491476 t		
		●	U5MB0033B(1)		
		T-A	15:0		
3	U5MB0018C	!	1	1	Kit
		⚡	0.030"		
		➔	U491476 t		
		●	N.L.A.(1)		
		T-A	15:0		

Engine

C-MAX Tier 2 (2003-) - RS20 - 75

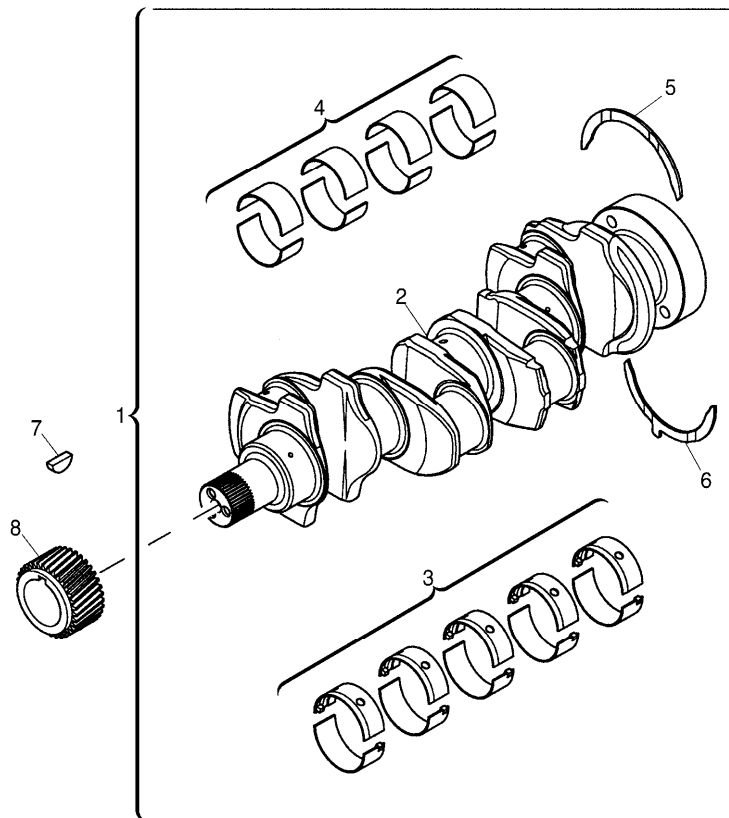
A-05
03



A0503

Crankshaft

RS20\000020524.png



Inglese

3	U5MB0033	!	1	1 Kit
		➔	U491477 t	
3	U5MB0033A	!	1	1 Kit
		⊗	-0,25mm	
		➔	U491477 t	
3	U5MB0033B	!	1	1 Kit
		⊗	-0,50mm	
		➔	U491477 t	
3	U5MB0033C	!	1	1 Kit
		⊗	-0,75mm	
		➔	U491477 t	
		●	N.L.A.(1)	
4	T400002	!	1	1 Kit
		➔	U491477 t	
		●	T410927(1)	
4	U5ME0026	!	1	1 Kit
		➔	U491476 t	
		●	U5ME0034(1)	
4	U5ME0026A	!	1	1 Kit
		⊗	+0,25mm	
		➔	U491476 t	
		●	U5ME0034A(1)	
4	U5ME0026B	!	1	1 Kit
		⊗	+0,50mm	
		➔	U491476 t	
		●	U5ME0034B(1)	

Engine

C-MAX Tier 2 (2003-) - RS20 - 75

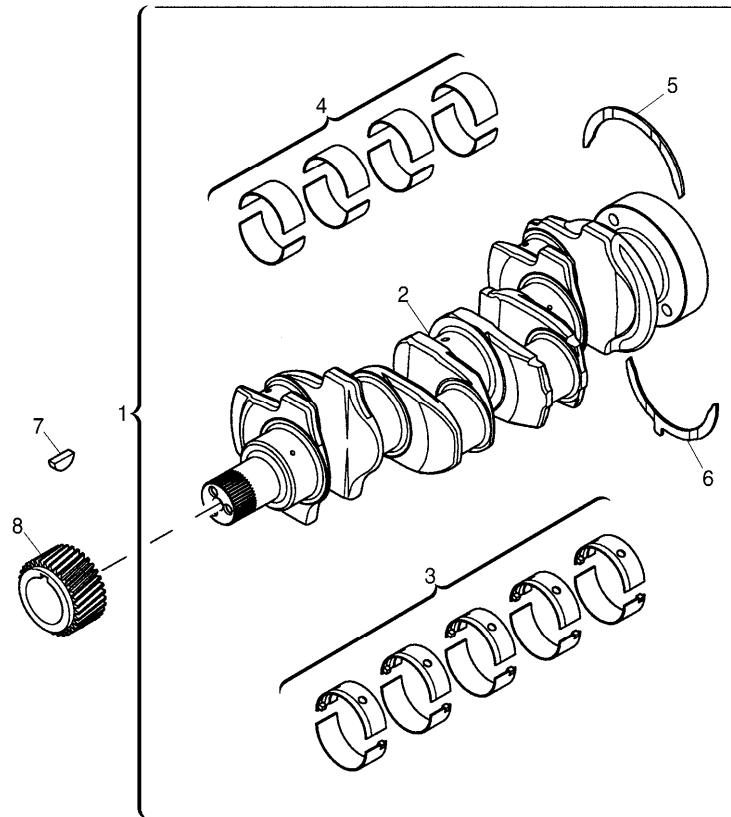
RS20\000020524.png

**A-05
03**



A0503

Crankshaft



				Inglese
4	U5ME0026C	!	1	1 Kit
		▲	+0,75mm	
		➔	U491476 t	
		●	U5ME0034C(1)	
5	31137312	!	1	2 Ring
		▲	0.007"	
		T-A	15:0	
5	31137551	!	1	2 Washer
		T-A	15:0	
6	31137322	!	1	2 Ring
		▲	0.007"	
		T-A	15:0	
6	31137561	!	1	2 Washer
		T-A	15:0	
7	0500012	T-A	10:0	1 Key
8	3117C221	T-A	10:0	1 Gear
	!	This is a component of an assembly		
	➔	From serial or engine number		
	➔	Up to serial or engine number		
	➔	Not serviced, order		
	▲	Shim		
	●	Replacement		
	T-A	Replacement		

Engine

C-MAX Tier 2 (2003-) - RS20 - 75

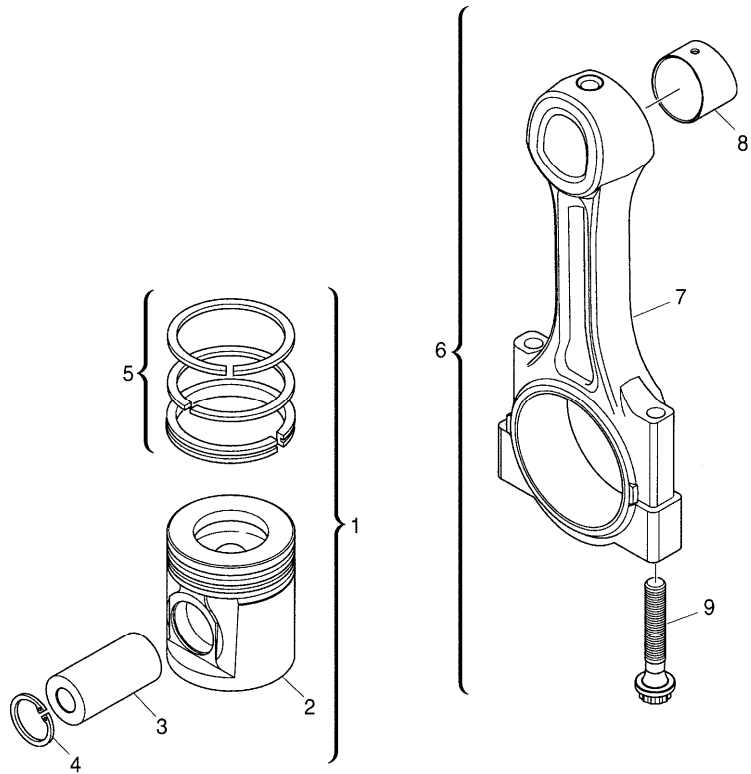
RS20\000020525.png

A-05
04



A0504

Pistons and connecting rods



				Inglese
1	4115P011	T-A 14:0		4 Kit
2		! 1		1 Piston
		➡ Ref.n.1		
3		! 1		1 Dowel
		➡ Ref.n.1		
4	2721332	! 1		2 Ring
5	UPRK0003	! 1		1 Kit
		(X) 0.2.5.		
		T-A 11:25		
6	4115C311	➡ U491476 t	A	4 Kit
		T-A 14:0		
6	4115C312	➡ U491476 t	B	4 Kit
		T-A 14:0		
6	4115C313	➡ U491476 t	C	4 Kit
		T-A 14:0		
6	4115C314	➡ U491476 t	D	4 Kit
		T-A 14:0		
6	4115C315	➡ U491476 t	E	4 Kit
		T-A 14:0		

Engine

C-MAX Tier 2 (2003-) - RS20 - 75

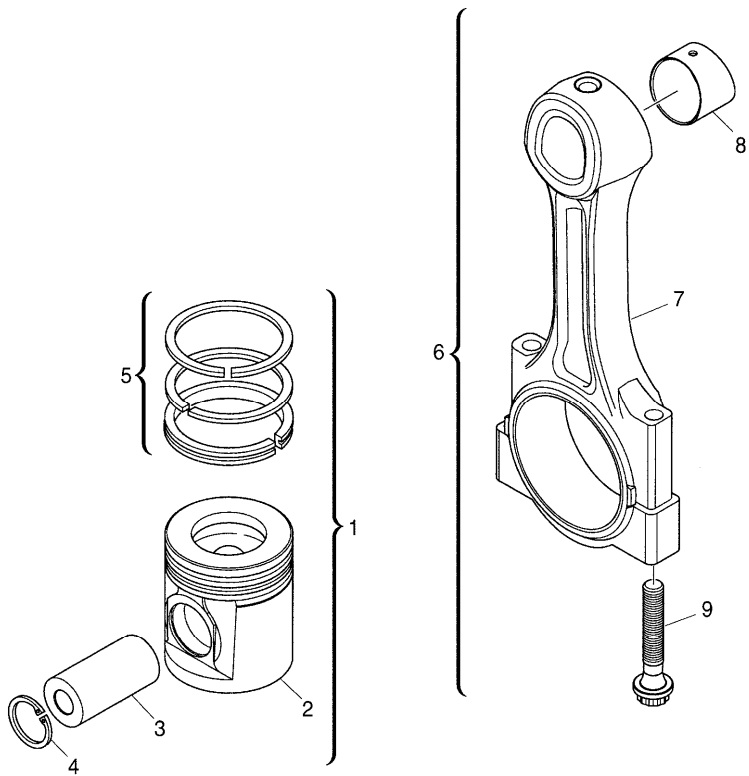
RS20\000020525.png

A-05
04



A0504

Pistons and connecting rods



		Inglese	
6	4115C316	➡ U491476 t F T-A 14:0	4 Kit
6	4115C361	➡ U491477 t A	4 Conrod
6	4115C362	➡ U491477 t B	4 Conrod
6	4115C363	➡ U491477 t C	4 Conrod
6	4115C364	➡ U491477 t D	4 Conrod
6	4115C365	➡ U491477 t E	4 Conrod
6	4115C366	➡ U491477 t F	4 Conrod
7		! 6 ➡ Ref.n.6	1 Conrod
8	3112A005	! 6 T-A 14:0	1 Bush
9	3212V003	! 6	2 Screw
9	T400001	! 6 ➡ U491476 t ➡ U491477 t	2 Screw

- ! This is a component of an assembly
- ➡ From serial or engine number
- ➡ Up to serial or engine number
- ➡ Not serviced, order

Engine

C-MAX Tier 2 (2003-) - RS20 - 75

A-05
04

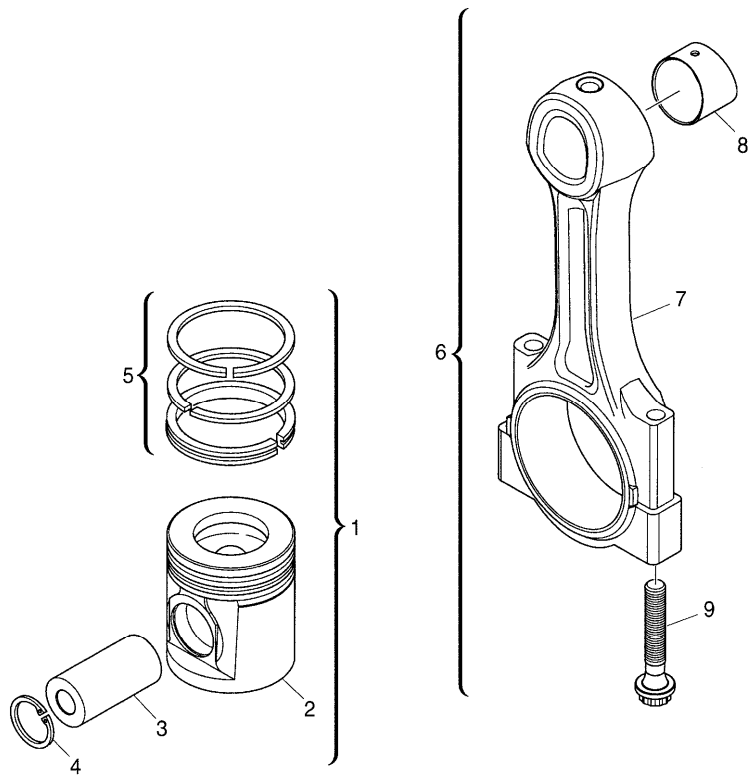


A0504

Pistons and connecting rods

RS20\000020525.png

- (X) Qty per tractors sold (aa.bbb.ccc.ddd) (aa) for 1,(bbb) 2-10 (ccc) 11-25 (ddd) 26-50
- T-A Replacement
- A Red
- B Orange
- C White
- D Green
- E Purple
- F Blue



Engine

C-MAX Tier 2 (2003-) - RS20 - 75

RS20\000020526.png

A-05
05



A0505

End cover

Inglese

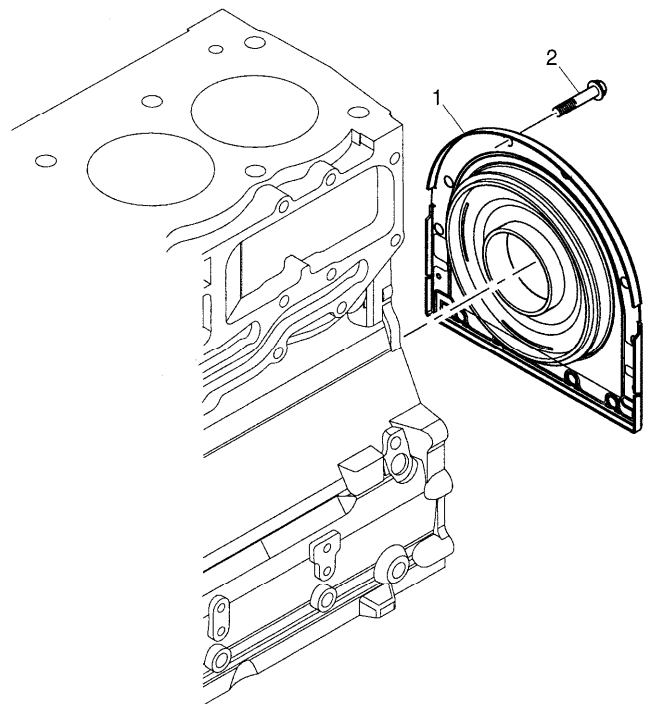
1 2418F704 T-A 9:0

1 Housing

2 3211C002

10 Screw

T-A Replacement



Engine

C-MAX Tier 2 (2003-) - RS20 - 75

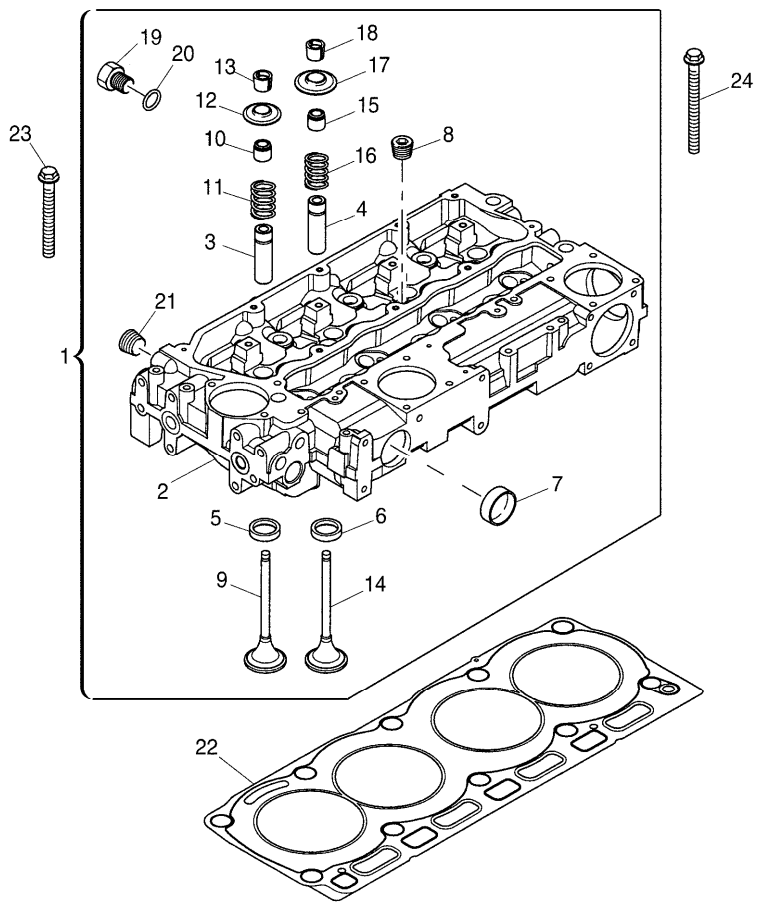
**A-05
06**



A0506

Cylinder head

RS20\000020527.png



		Inglese	
1	ZZ80270	T-A 4:0	1 Kit
		T-B 7:50	
2		!	1 Head
		➡ Ref.n.1	
3	3313A012	!	4 Insert
		T-A 7:50	
4	3313A012	!	4 Insert
		T-A 7:50	
5	3314A241	!	4 Insert
		T-A 7:50	
6	3314A231	!	4 Insert
		T-A 7:50	
7	32416117	!	2 Plug
8	0650588	!	4 Plug
9	3142H071	!	4 Valve
		T-A 7:50	
10	2418M519	T-A 0:0	4 Ring
11	3174A016	!	4 Spring
		T-A 3:0	
12	3342A011	!	4 Cover
		T-A 3:0	
13	3142W004	!	8 Cotter
		T-A 3:0	
14	3142A151	!	4 Valve
		T-A 7:50	

Engine

C-MAX Tier 2 (2003-) - RS20 - 75

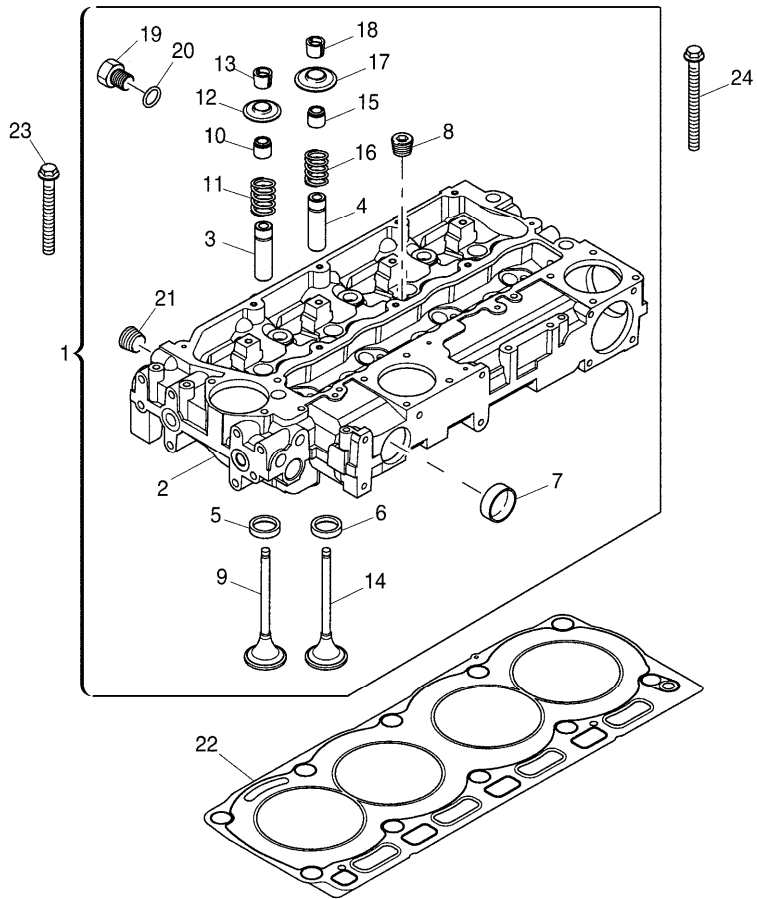
RS20\000020527.png

A-05
06



A0506

Cylinder head



			Inglese
15	2418M517	! 1	4 Ring
		T-A 3:0	
16	3174A016	! 1	4 Spring
		T-A 3:0	
17	3342A011	! 1	4 Cover
		T-A 3:0	
18	3142W004	! 1	8 Cotter
		T-A 3:0	
19	3278A006	! 1	1 Plug
20	2415H003	! 1	1 Ring
21	2431154	! 1	1 Plug
22	3681E051	(X) 1.3.5.	1 Gasket
		T-A 4:0	
23	3218A011		7 Screw
24	3218A012		3 Screw
!	This is a component of an assembly		
🔧	Not serviced, order		
(X)	Qty per tractors sold (aa.bbb.ccc.ddd) (aa) for 1,(bbb) 2-10 (ccc) 11-25 (ddd) 26-50		
T-A	Replacement		
T-B	Overhaul		

Engine

C-MAX Tier 2 (2003-) - RS20 - 75

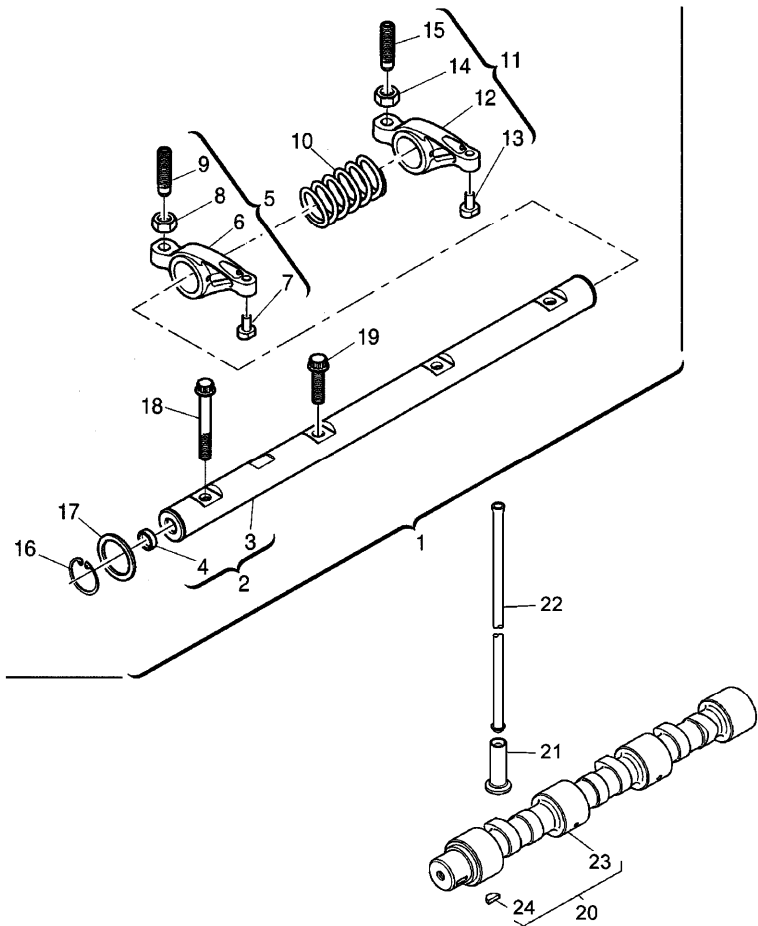
RS20\000015155.PNG

A-05
07



A0507

Rocker shaft



Inglese

1	4115R612	T-A 4:0	1	Rocker
2	4115R703	! 1	1	Shaft
		T-A 4:0		
3		! 2	1	Shaft
		➡ Ref.n.2		
4	2485A104	! 2	2	Plug
5	4115R314	! 1	4	Rocker
		T-A 4:0		
6		! 5	1	Rocker
		➡ Ref.n.5		
7		! 5	1	Pad
		➡ Ref.n.5		
8	0576052	! 5	1	Nut
9	32114145	! 5	1	Screw
10	3174A015	! 1	3	Spring
		T-A 4:0		
11	4115R315	! 1	4	Rocker
		T-A 4:0		
12		! 11	1	Rocker
		➡ Ref.n.11		
13		! 11	1	Pad
		➡ Ref.n.11		
14	0576052	! 11	1	Nut
15	32114145	! 11	1	Screw
		T-A 1:25		
16	2722A022	! 1	2	Ring

Buy Now



Our support email:

ebooklibonline@outlook.com