

Engine

C-MAX Tier 2 (2003- ) - RS20 - 85

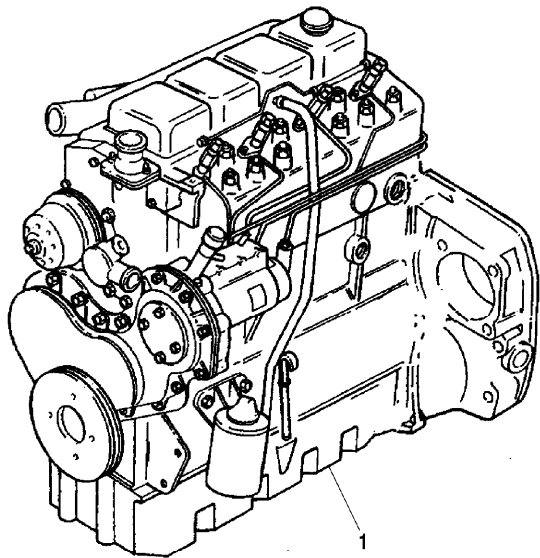
RS20\000020625.png

A-05  
01



A0501

Engine assembly



Inglese

-	A		
1	3671104M91	"perkins - re37927	1 Engine
	D		
	T-A	7:0	
	T-B	30:0	
1	4208196M91	➔ 01/02/08	1 Engine
		"perkins - re81662	
	B		
1	4208200M91	➔ 01/02/08	1 Engine
		"perkins - re81659	
	C		
➔	From serial or engine number		
T-A	Replacement		
T-B	Overhaul		
A	Green engine		
B	For market "ue"		
C	For market "epa"		
D	For other markets		

Engine

C-MAX Tier 2 (2003- ) - RS20 - 85

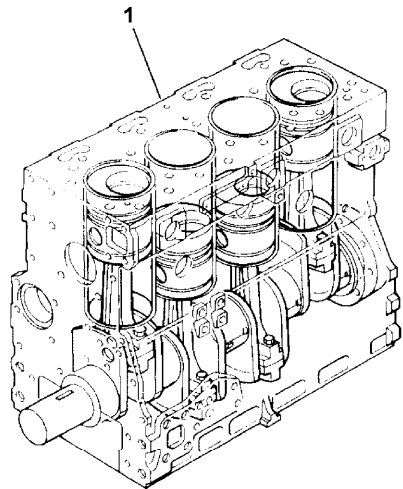
RS20\00002787.png

A-05  
011



A05011

Short engine



- Inglese
- |   |         |     |                                  |   |              |
|---|---------|-----|----------------------------------|---|--------------|
| 1 | RE40002 | ➔   | U491476 t                        | 1 | Engine       |
|   |         | ●   | 3115A141(1),<br>32186146(3), RE4 |   |              |
|   |         | T-A | 30:0                             |   |              |
| 1 | RE40021 | ➔   | U491477 t                        | 1 | Short engine |
- ➔ From serial or engine number  
 ➔ Up to serial or engine number  
 ● Replacement  
 T-A Replacement

Engine

C-MAX Tier 2 (2003- ) - RS20 - 85

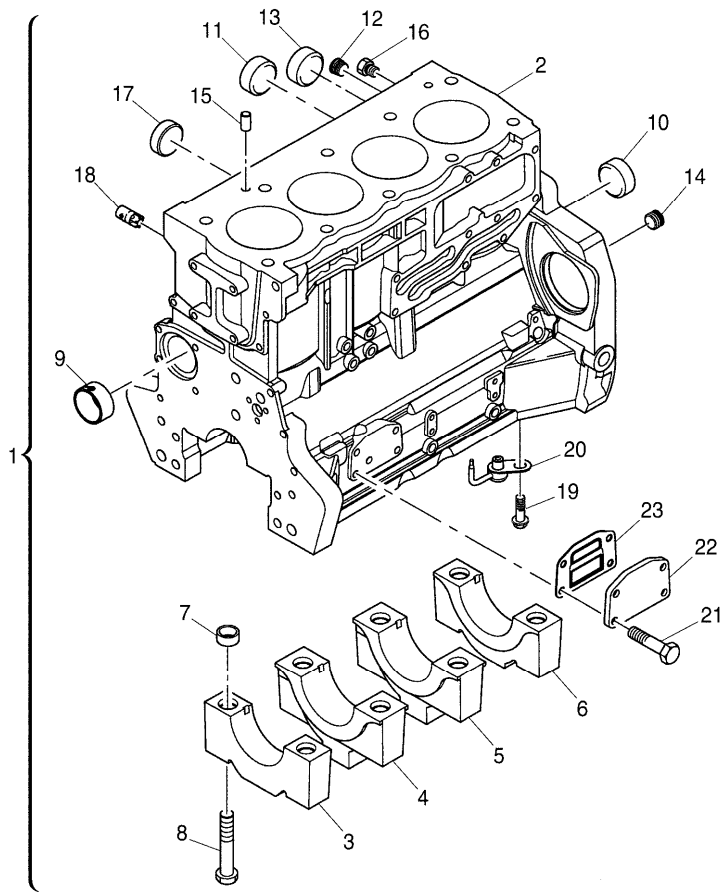
A-05  
02



A0502

Cylinder block

RS20\000020523.png



		Inglese	
1	ZZ50312	● ZZ50325(1)	1 Kit
		T-A 30:0	
2		! 1	1 Cylinder block
		➤ Ref.n.1	
3		! 1	1 Bearing
		➤ Ref.n.1	
4		! 1	2 Bearing
		➤ Ref.n.1	
5		! 1	1 Bearing
		➤ Ref.n.1	
6		! 1	1 Bearing
		➤ Ref.n.1	
7	33142111	! 1	10 Manicott
8	32166329	! 1	10 Screw
9	3112D071	! 1	1 Bush
		● 3112D075(1)	
10	3241A012	! 1	1 Plug
11	3241A011	! 1	2 Plug
12	0650588	! 1	1 Plug
13	0650710	! 1	1 Plug
14	3212P008	! 1	1 Plug
15	3244A009	! 1	2 Dowel
16	32141316	! 1	2 Plug
17	2485A108	! 1	1 Plug
18	3212V006	! 1	1 Plug

Engine

C-MAX Tier 2 (2003- ) - RS20 - 85

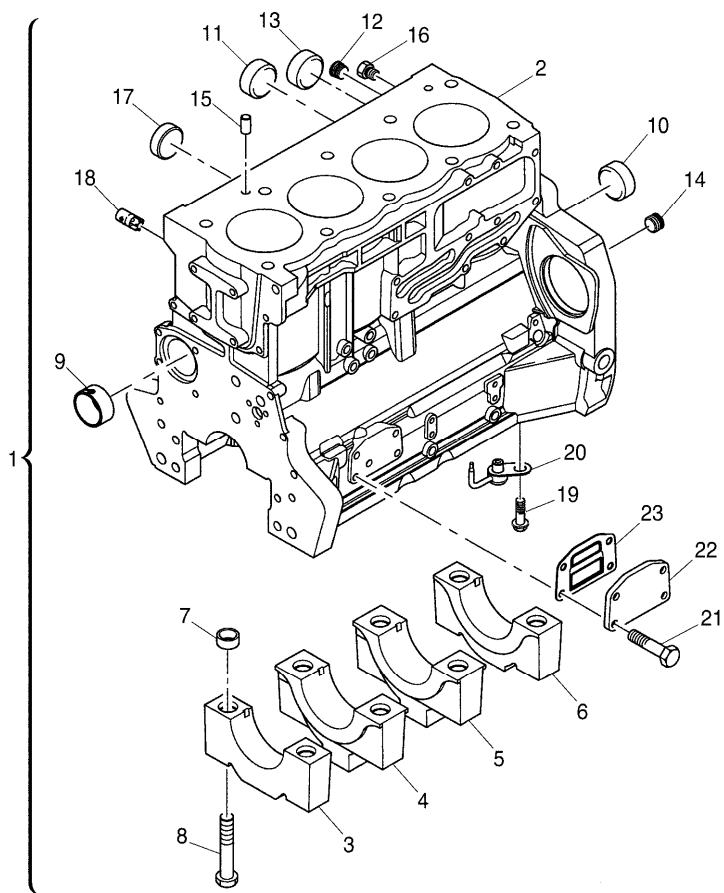
RS20\000020523.png

A-05  
02



A0502

Cylinder block



19	2314F001	!	1
20	2113A003	!	1
21	2314H033	!	1
22	3623A009	!	1
		T-A	0:25
23	3688A039	!	1
		T-A	0:25

Inglese

4	Screw
4	Atomiser
4	Screw
1	Plate
1	Gasket

- ! This is a component of an assembly
- ▣ Not serviced, order
- Replacement
- T-A Replacement

Engine

C-MAX Tier 2 (2003- ) - RS20 - 85

A-05  
03

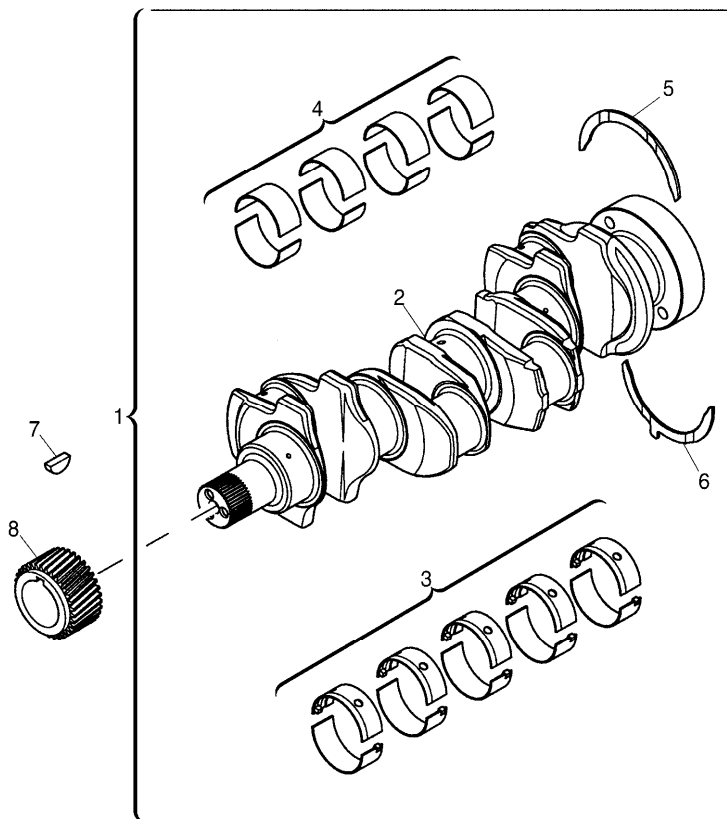


A0503

Crankshaft

RS20\000020524.png

Inglese



1	ZZ90224	➔	U491476 t	1	Kit
		●	ZZ90239(1)		
		T-A	15:0		
1	ZZ90237	➔	U491477 t	1	Shaft
2		!	1	1	Shaft
		➔	Ref.n.1		
3	U5MB0018	!	1	1	Kit
		➔	U491476 t		
		●	U5MB0033(1)		
		T-A	15:0		
3	U5MB0018A	!	1	1	Kit
		⚡	0.010"		
		➔	U491476 t		
		●	U5MB0033A(1)		
		T-A	15:0		
3	U5MB0018B	!	1	1	Kit
		⚡	0.020"		
		➔	U491476 t		
		●	U5MB0033B(1)		
		T-A	15:0		
3	U5MB0018C	!	1	1	Kit
		⚡	0.030"		
		➔	U491476 t		
		●	N.L.A.(1)		
		T-A	15:0		

Engine

C-MAX Tier 2 (2003- ) - RS20 - 85

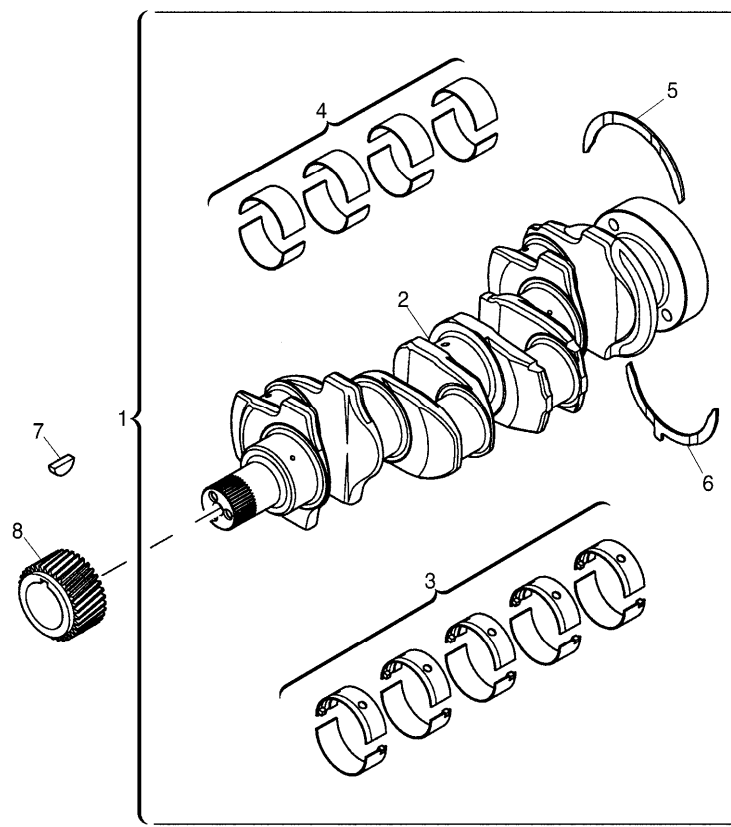
A-05  
03



A0503

Crankshaft

RS20\000020524.png



Inglese

3	U5MB0033	!	1	1 Kit
		➔	U491477 t	
3	U5MB0033A	!	1	1 Kit
		⊗	-0,25mm	
		➔	U491477 t	
3	U5MB0033B	!	1	1 Kit
		⊗	-0,50mm	
		➔	U491477 t	
3	U5MB0033C	!	1	1 Kit
		⊗	-0,75mm	
		➔	U491477 t	
		●	N.L.A.(1)	
4	T400002	!	1	1 Kit
		➔	U491477 t	
		●	T410927(1)	
4	U5ME0026	!	1	1 Kit
		➔	U491476 t	
		●	U5ME0034(1)	
4	U5ME0026A	!	1	1 Kit
		⊗	+0,25mm	
		➔	U491476 t	
		●	U5ME0034A(1)	
4	U5ME0026B	!	1	1 Kit
		⊗	+0,50mm	
		➔	U491476 t	
		●	U5ME0034B(1)	

Engine

C-MAX Tier 2 (2003- ) - RS20 - 85

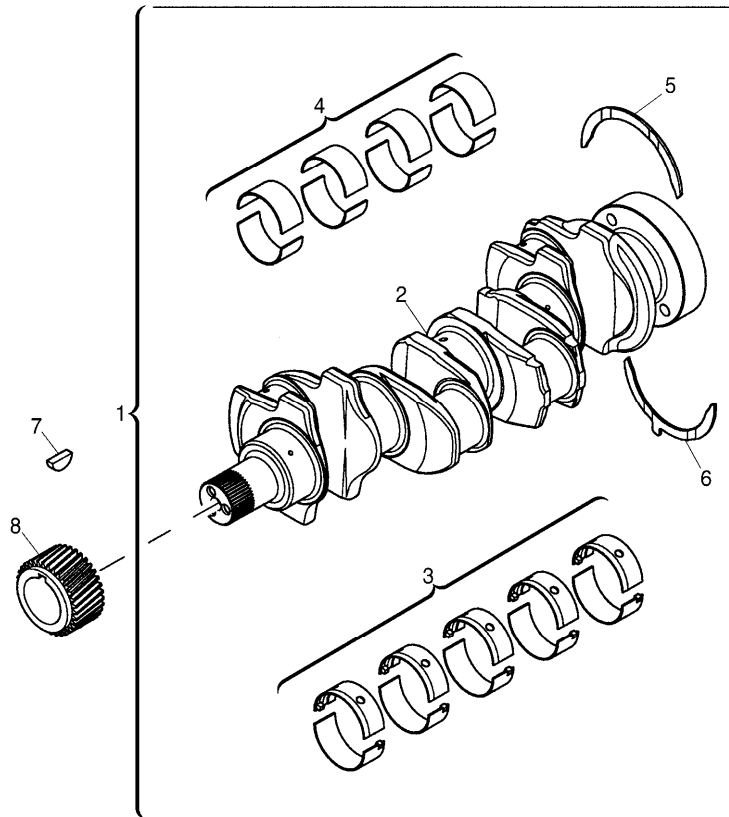
RS20\000020524.png

A-05  
03



A0503

Crankshaft



		Inglese	
4	U5ME0026C	! 1	1 Kit
		▲ +0,75mm	
		➔ U491476 t	
		● U5ME0034C(1)	
5	31137312	! 1	2 Ring
		▲ 0.007"	
		T-A 15:0	
5	31137551	! 1	2 Washer
		T-A 15:0	
6	31137322	! 1	2 Ring
		▲ 0.007"	
		T-A 15:0	
6	31137561	! 1	2 Washer
		T-A 15:0	
7	0500012	T-A 10:0	1 Key
8	3117C221	T-A 10:0	1 Gear
	!	This is a component of an assembly	
	➔	From serial or engine number	
	➔	Up to serial or engine number	
	➔	Not serviced, order	
	▲	Shim	
	●	Replacement	
	T-A	Replacement	

Engine

C-MAX Tier 2 (2003- ) - RS20 - 85

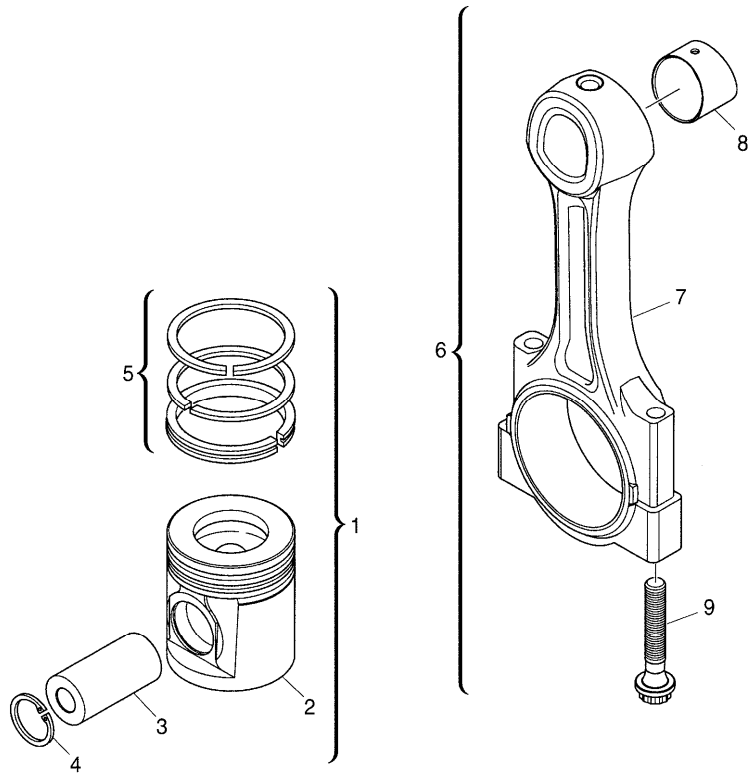
RS20\000020525.png

**A-05  
04**



A0504

Pistons and connecting rods



				Inglese
1	4115P011	T-A 14:0		4 Kit
2		! 1		1 Piston
		➡ Ref.n.1		
3		! 1		1 Dowel
		➡ Ref.n.1		
4	2721332	! 1		2 Ring
5	UPRK0003	! 1		1 Kit
		(X) 0.2.5.		
		T-A 11:25		
6	4115C311	➡ U491476 t	A	4 Kit
		T-A 14:0		
6	4115C312	➡ U491476 t	B	4 Kit
		T-A 14:0		
6	4115C313	➡ U491476 t	C	4 Kit
		T-A 14:0		
6	4115C314	➡ U491476 t	D	4 Kit
		T-A 14:0		
6	4115C315	➡ U491476 t	E	4 Kit
		T-A 14:0		



Engine

C-MAX Tier 2 (2003- ) - RS20 - 85

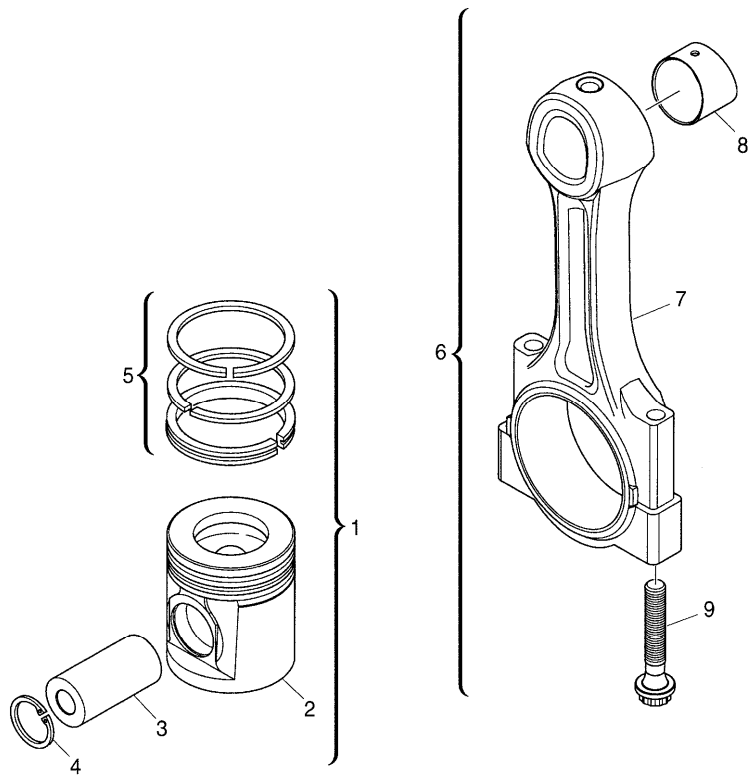
RS20\000020525.png

A-05  
04



A0504

Pistons and connecting rods



		Inglese	
6	4115C316	➡ U491476 t F T-A 14:0	4 Kit
6	4115C361	➡ U491477 t A	4 Conrod
6	4115C362	➡ U491477 t B	4 Conrod
6	4115C363	➡ U491477 t C	4 Conrod
6	4115C364	➡ U491477 t D	4 Conrod
6	4115C365	➡ U491477 t E	4 Conrod
6	4115C366	➡ U491477 t F	4 Conrod
7		! 6 ➡ Ref.n.6	1 Conrod
8	3112A005	! 6 T-A 14:0	1 Bush
9	3212V003	! 6	2 Screw
9	T400001	! 6 ➡ U491476 t ➡ U491477 t	2 Screw

- ! This is a component of an assembly
- ➡ From serial or engine number
- ➡ Up to serial or engine number
- ➡ Not serviced, order

Engine

C-MAX Tier 2 (2003- ) - RS20 - 85

RS20\000020525.png

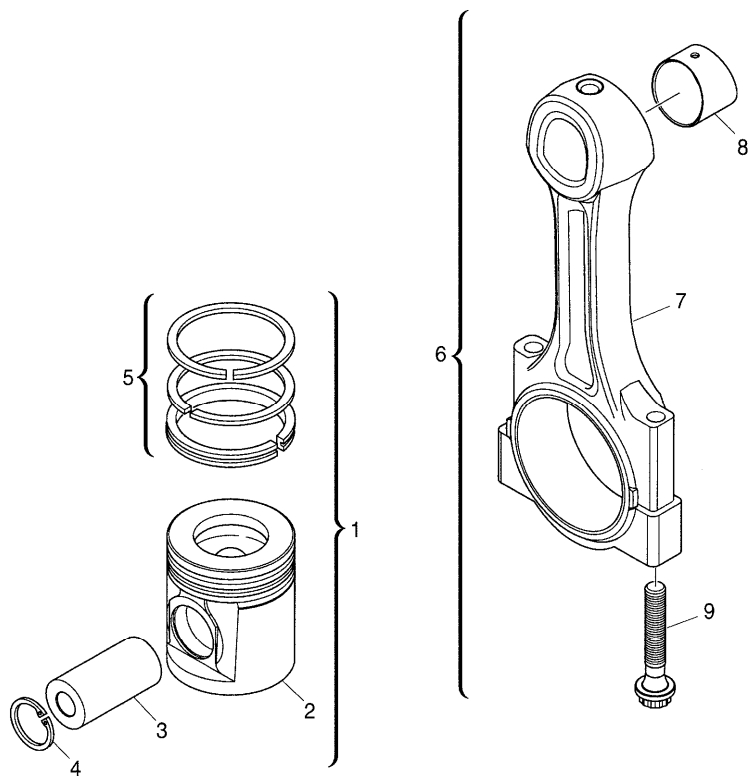
**A-05  
04**



A0504

Pistons and connecting rods

- (X) Qty per tractors sold (aa.bbb.ccc.ddd) (aa) for 1,(bbb) 2-10 (ccc) 11-25 (ddd) 26-50
- T-A Replacement
- A Red
- B Orange
- C White
- D Green
- E Purple
- F Blue



Engine

C-MAX Tier 2 (2003- ) - RS20 - 85

RS20\000020526.png

A-05  
05



A0505

End cover

Inglese

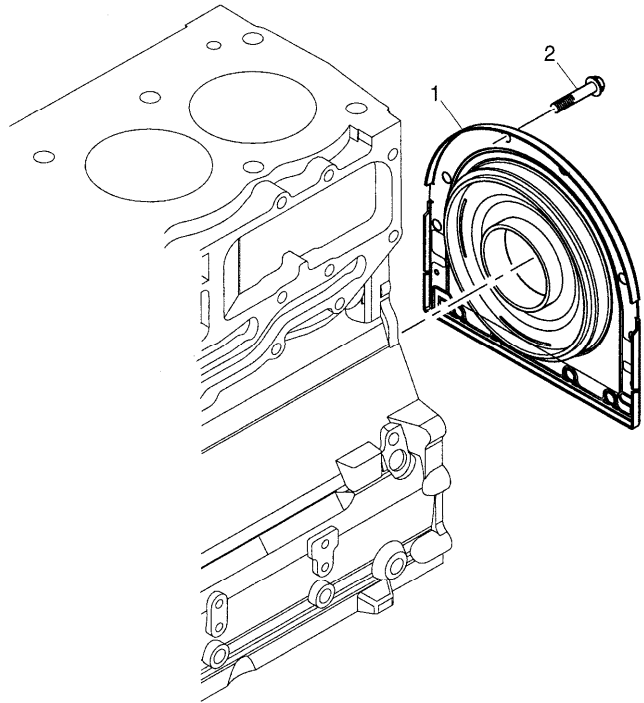
1 2418F704 T-A 9:0

1 Housing

2 3211C002

10 Screw

T-A Replacement



Engine

C-MAX Tier 2 (2003- ) - RS20 - 85

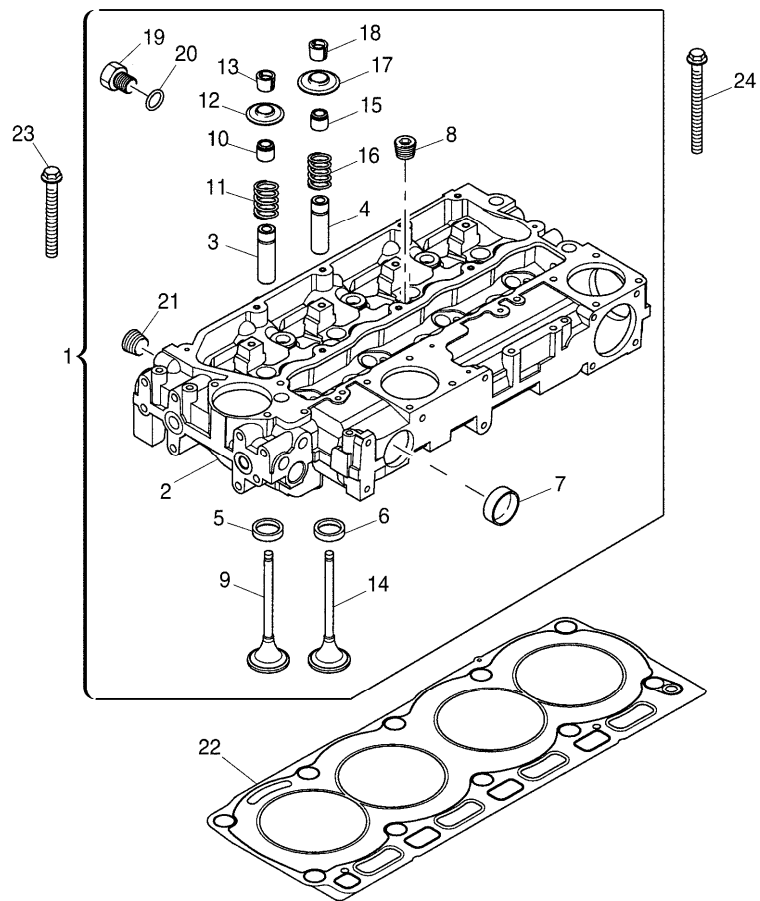
**A-05  
06**



A0506

Cylinder head

RS20\000020527.png



			Inglese
1	ZZ80270	T-A 4:0	1 Kit
		T-B 7:50	
2		!	1 Head
		➡ Ref.n.1	
3	3313A012	!	4 Insert
		T-A 7:50	
4	3313A012	!	4 Insert
		T-A 7:50	
5	3314A241	!	4 Insert
		T-A 7:50	
6	3314A231	!	4 Insert
		T-A 7:50	
7	32416117	!	2 Plug
8	0650588	!	4 Plug
9	3142H071	!	4 Valve
		T-A 7:50	
10	2418M519	T-A 0:0	4 Ring
11	3174A016	!	4 Spring
		T-A 3:0	
12	3342A011	!	4 Cover
		T-A 3:0	
13	3142W004	!	8 Cotter
		T-A 3:0	
14	3142A151	!	4 Valve
		T-A 7:50	

Engine

C-MAX Tier 2 (2003- ) - RS20 - 85

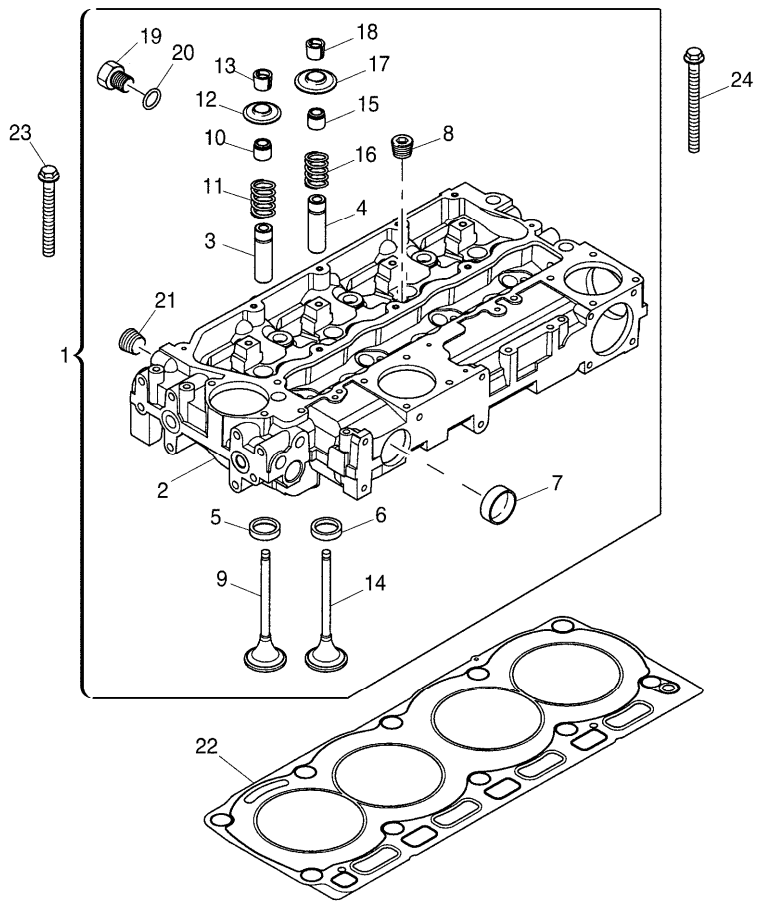
**A-05  
06**



A0506

Cylinder head

RS20\000020527.png



			Inglese
15	2418M517	! 1	4 Ring
		T-A 3:0	
16	3174A016	! 1	4 Spring
		T-A 3:0	
17	3342A011	! 1	4 Cover
		T-A 3:0	
18	3142W004	! 1	8 Cotter
		T-A 3:0	
19	3278A006	! 1	1 Plug
20	2415H003	! 1	1 Ring
21	2431154	! 1	1 Plug
22	3681E051	(X) 1.3.5.	1 Gasket
		T-A 4:0	
23	3218A011		7 Screw
24	3218A012		3 Screw
!	This is a component of an assembly		
🔧	Not serviced, order		
(X)	Qty per tractors sold (aa.bbb.ccc.ddd) (aa) for 1,(bbb) 2-10 (ccc) 11-25 (ddd) 26-50		
T-A	Replacement		
T-B	Overhaul		

Engine

C-MAX Tier 2 (2003- ) - RS20 - 85

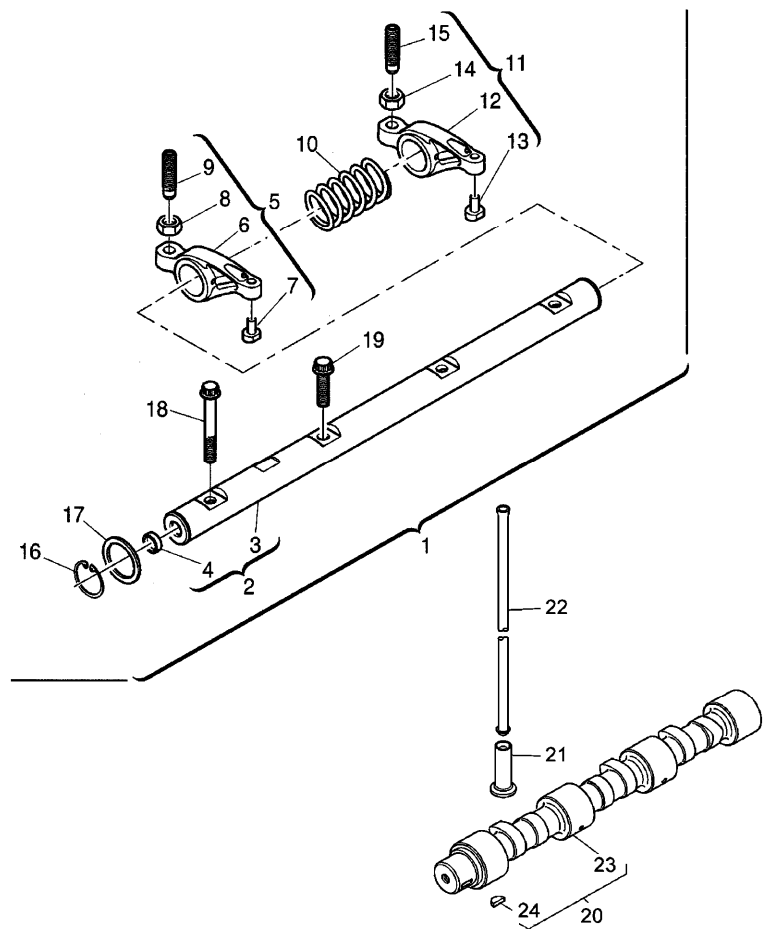
RS20\000015155.PNG

A-05  
07



A0507

Rocker shaft



				Inglese
1	4115R612	T-A 4:0	4:0	1 Rocker
2	4115R703	!	1	1 Shaft
		T-A 4:0	4:0	
3		!	2	1 Shaft
		➡	Ref.n.2	
4	2485A104	!	2	2 Plug
5	4115R314	!	1	4 Rocker
		T-A 4:0	4:0	
6		!	5	1 Rocker
		➡	Ref.n.5	
7		!	5	1 Pad
		➡	Ref.n.5	
8	0576052	!	5	1 Nut
9	32114145	!	5	1 Screw
10	3174A015	!	1	3 Spring
		T-A 4:0	4:0	
11	4115R315	!	1	4 Rocker
		T-A 4:0	4:0	
12		!	11	1 Rocker
		➡	Ref.n.11	
13		!	11	1 Pad
		➡	Ref.n.11	
14	0576052	!	11	1 Nut
15	32114145	!	11	1 Screw
		T-A 1:25	1:25	
16	2722A022	!	1	2 Ring

**Buy Now**



Our support email:

[ebooklibonline@outlook.com](mailto:ebooklibonline@outlook.com)