

Engine

C-MAX Tier 2 (2003-) - RS20 - 95

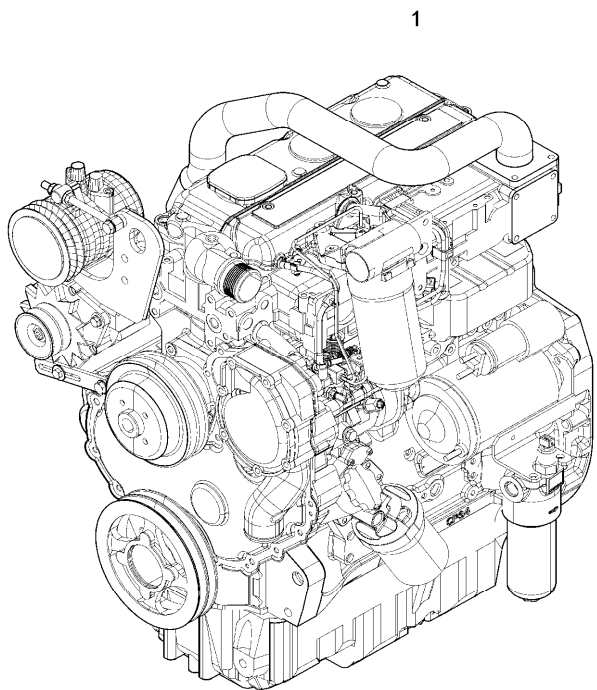
RS20\00005170.png

A-05
01



A0501

Engine assembly



Inglese

-	A			
1	3671105M91	●	3671105M92(1) "perkins - rg37926"	1 Engine
	D			
	T-A		7:0	
	T-B		30:0	
1	4208197M91	➔	01/02/08 "perkins - rg81677"	1 Engine
	B			
1	4208201M91	➔	01/02/08 "perkins - rg81678"	1 Engine
	C			
	➔	From serial or engine number		
	●	Replacement		
	T-A	Replacement		
	T-B	Overhaul		
	A	Green engine		
	B	For market "ue"		
	C	For market "epa"		
	D	For other markets		

Engine

C-MAX Tier 2 (2003-) - RS20 - 95

RS20\00002787.png




A-05
011






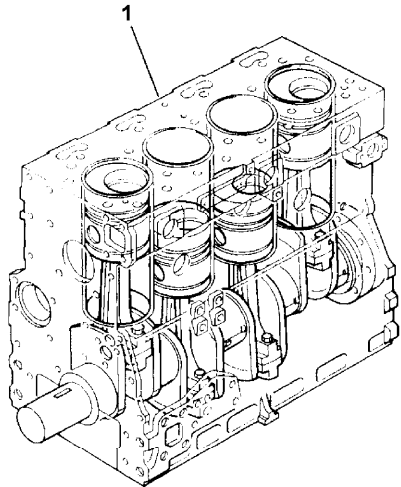
A05011

Short engine

Inglese

- 1 RG40001  U491476 t 1 Short engine
-  3115A141(1),
32186146(3), RG4
- T-A 0:30
- 1 RG40023  U491477 t 1 Short engine

-  From serial or engine number
-  Up to serial or engine number
-  Replacement
- T-A Replacement



Engine

C-MAX Tier 2 (2003-) - RS20 - 95

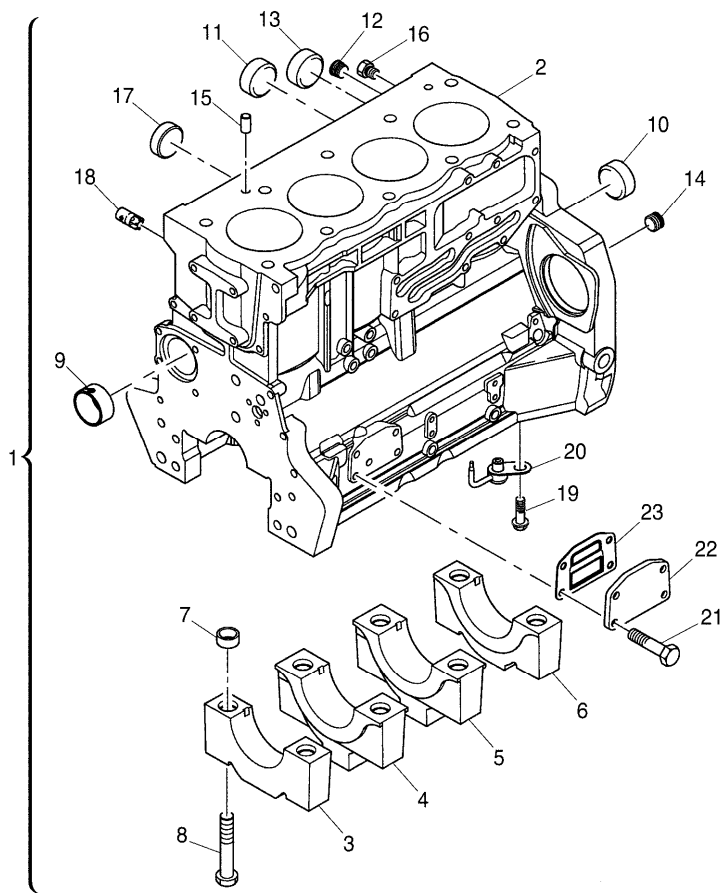
A-05
02



A0502

Cylinder block

RS20\000020523.png



		Inglese	
1	ZZ50312	● ZZ50325(1)	1 Kit
		T-A 30:0	
2		! 1	1 Cylinder block
		➡ Ref.n.1	
3		! 1	1 Bearing
		➡ Ref.n.1	
4		! 1	2 Bearing
		➡ Ref.n.1	
5		! 1	1 Bearing
		➡ Ref.n.1	
6		! 1	1 Bearing
		➡ Ref.n.1	
7	33142111	! 1	10 Manicott
8	32166329	! 1	10 Screw
9	3112D071	! 1	1 Bush
		● 3112D075(1)	
10	3241A012	! 1	1 Plug
11	3241A011	! 1	2 Plug
12	0650588	! 1	1 Plug
13	0650710	! 1	1 Plug
14	3212P008	! 1	1 Plug
15	3244A009	! 1	2 Dowel
16	32141316	! 1	2 Plug
17	2485A108	! 1	1 Plug
18	3212V006	! 1	1 Plug

Engine

C-MAX Tier 2 (2003-) - RS20 - 95

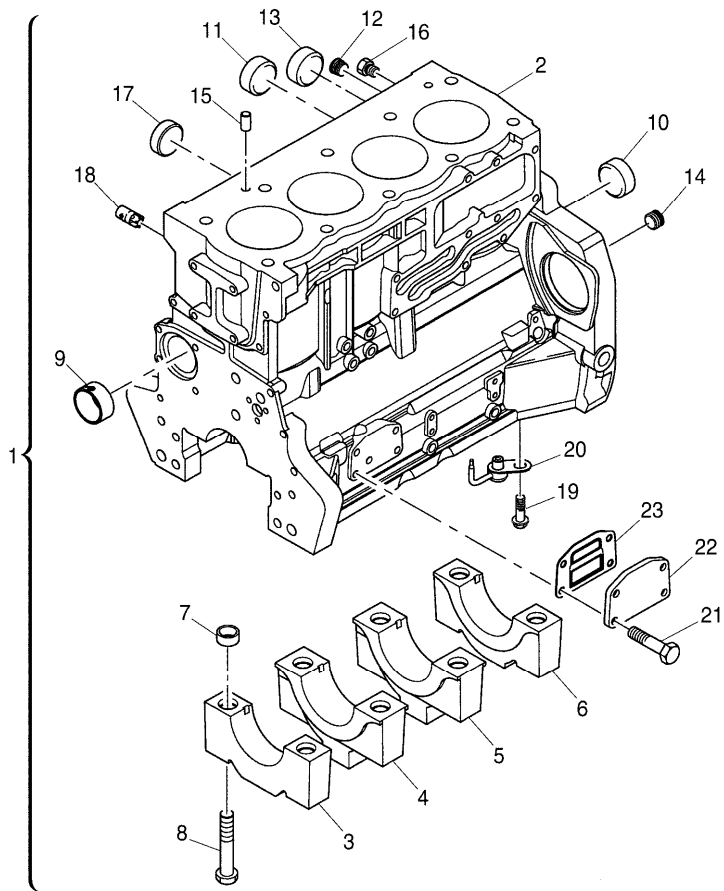
RS20\000020523.png

A-05
02



A0502

Cylinder block



19	2314F001	!	1
20	2113A003	!	1
21	2314H033	!	1
22	3623A009	!	1
		T-A	0:25
23	3688A039	!	1
		T-A	0:25

Inglese

4	Screw
4	Atomiser
4	Screw
1	Plate
1	Gasket

- ! This is a component of an assembly
- ▣ Not serviced, order
- Replacement
- T-A Replacement

Engine

C-MAX Tier 2 (2003-) - RS20 - 95

**A-05
03**

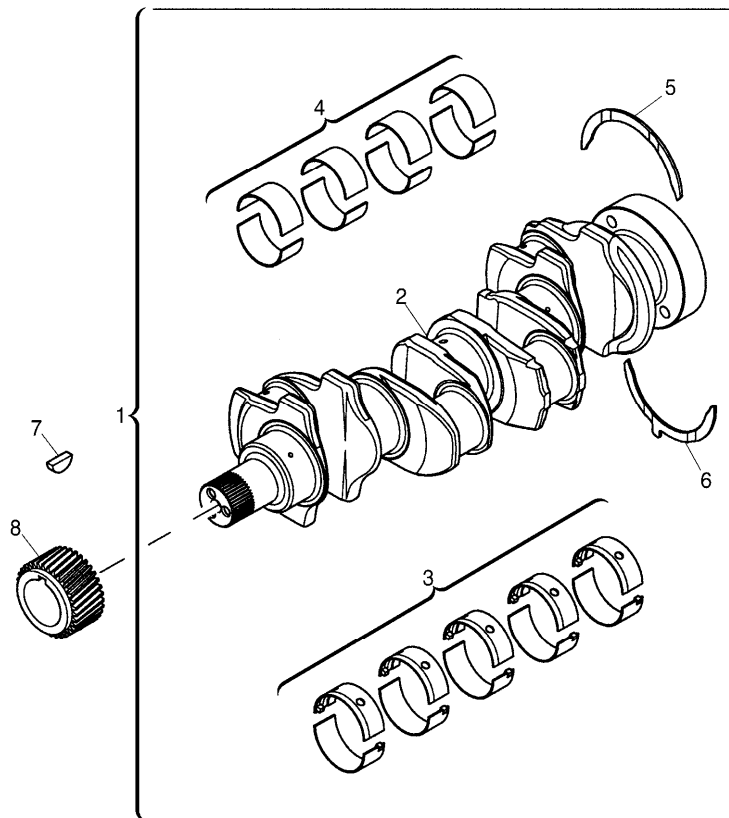


A0503

Crankshaft

RS20\000020524.png

Inglese



1	ZZ90224	➔	U491476 t	1	Kit
		●	ZZ90239(1)		
			T-A 15:0		
1	ZZ90237	➔	U491477 t	1	Shaft
2		!	1	1	Shaft
		➔	Ref.n.1		
3	U5MB0018	!	1	1	Kit
		➔	U491476 t		
		●	U5MB0033(1)		
			T-A 15:0		
3	U5MB0018A	!	1	1	Kit
		⚡	0.010"		
		➔	U491476 t		
		●	U5MB0033A(1)		
			T-A 15:0		
3	U5MB0018B	!	1	1	Kit
		⚡	0.020"		
		➔	U491476 t		
		●	U5MB0033B(1)		
			T-A 15:0		
3	U5MB0018C	!	1	1	Kit
		⚡	0.030"		
		➔	U491476 t		
		●	N.L.A.(1)		
			T-A 15:0		

Engine

C-MAX Tier 2 (2003-) - RS20 - 95

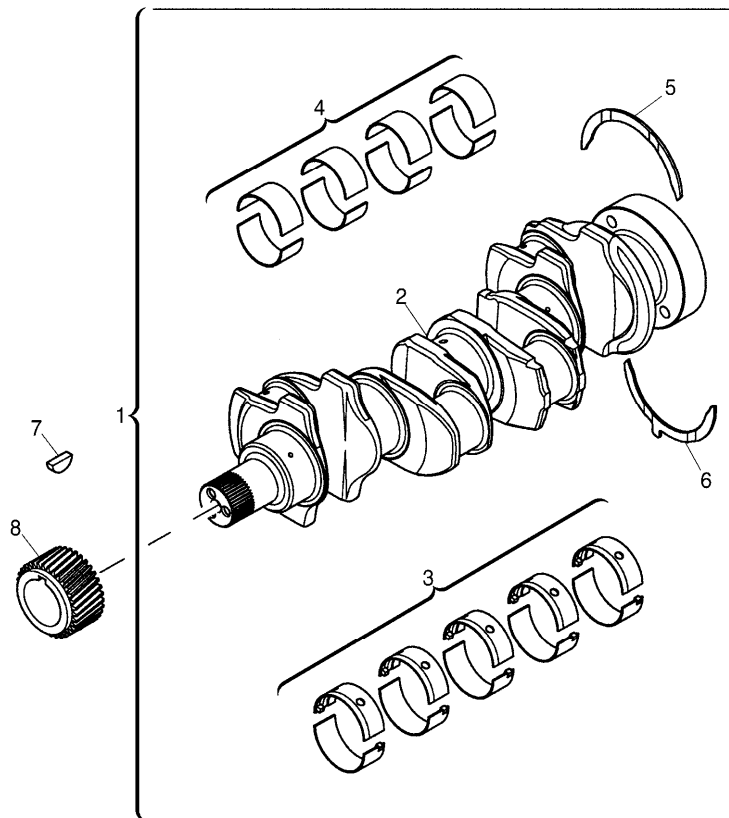
A-05
03



A0503

Crankshaft

RS20\000020524.png



Inglese

3	U5MB0033	!	1	1 Kit
		➔	U491477 t	
3	U5MB0033A	!	1	1 Kit
		⊗	-0,25mm	
		➔	U491477 t	
3	U5MB0033B	!	1	1 Kit
		⊗	-0,50mm	
		➔	U491477 t	
3	U5MB0033C	!	1	1 Kit
		⊗	-0,75mm	
		➔	U491477 t	
		●	N.L.A.(1)	
4	T400002	!	1	1 Kit
		➔	U491477 t	
		●	T410927(1)	
4	U5ME0026	!	1	1 Kit
		➔	U491476 t	
		●	U5ME0034(1)	
4	U5ME0026A	!	1	1 Kit
		⊗	+0,25mm	
		➔	U491476 t	
		●	U5ME0034A(1)	
4	U5ME0026B	!	1	1 Kit
		⊗	+0,50mm	
		➔	U491476 t	
		●	U5ME0034B(1)	

Engine

C-MAX Tier 2 (2003-) - RS20 - 95

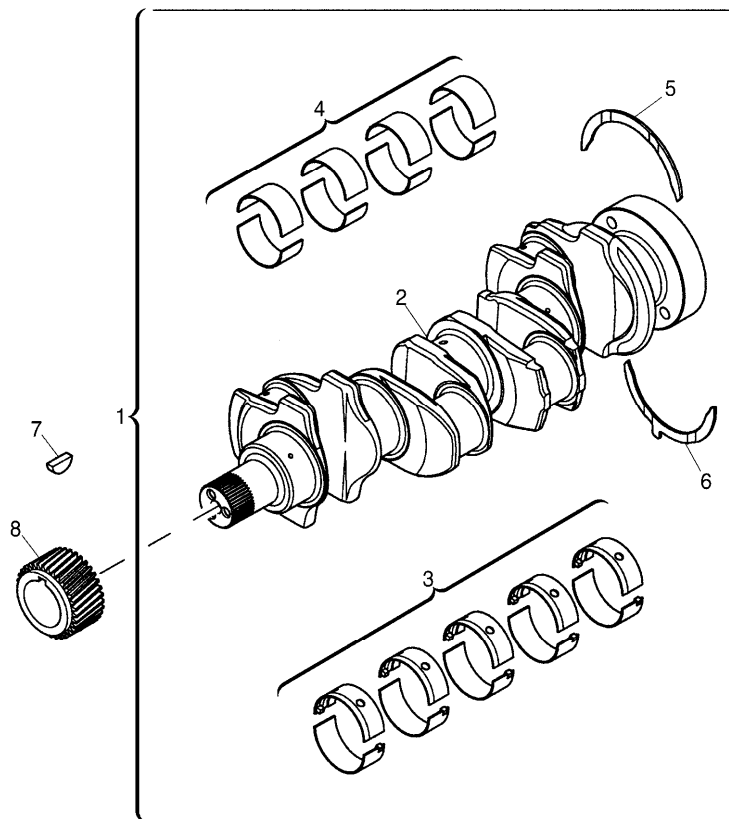
RS20\000020524.png

**A-05
03**



A0503

Crankshaft



				Inglese
4	U5ME0026C	!	1	1 Kit
		⚡	+0,75mm	
		➔	U491476 t	
		●	U5ME0034C(1)	
5	31137312	!	1	2 Ring
		⚡	0.007"	
		T-A	15:0	
5	31137551	!	1	2 Washer
		T-A	15:0	
6	31137322	!	1	2 Ring
		⚡	0.007"	
		T-A	15:0	
6	31137561	!	1	2 Washer
		T-A	15:0	
7	0500012	T-A	10:0	1 Key
8	3117C221	T-A	10:0	1 Gear
	!	This is a component of an assembly		
	➔	From serial or engine number		
	➔	Up to serial or engine number		
	➔	Not serviced, order		
	⚡	Shim		
	●	Replacement		
	T-A	Replacement		

Engine

C-MAX Tier 2 (2003-) - RS20 - 95

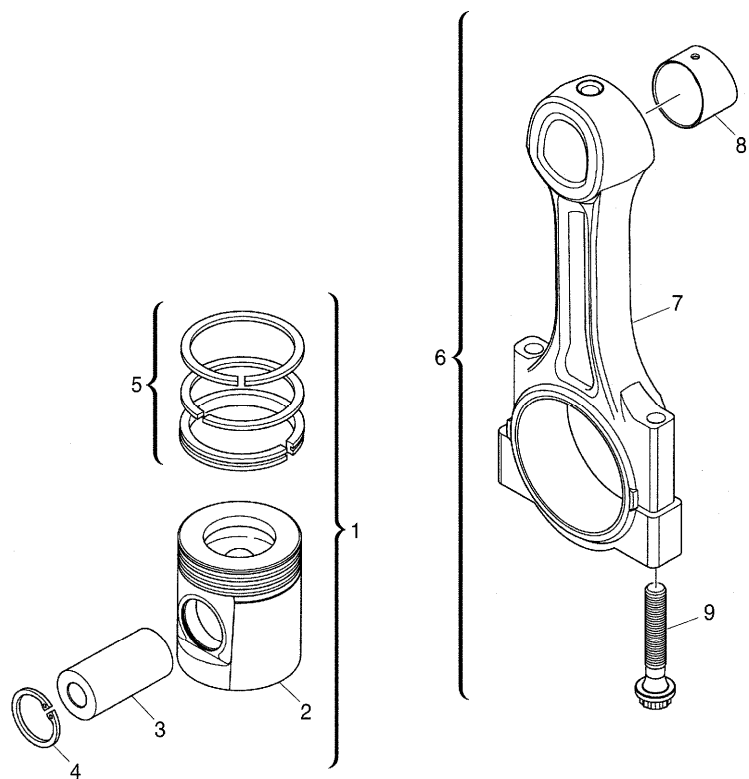
RS20\000020562.png

**A-05
04**



A0504

Pistons and connecting rods



		Inglese
1	4115P015 G	4 Kit
	T-A 14:0	
1	4115P016 +0,5 mm	4 Kit
1	4115P017 +1,0 mm	4 Kit
2	! 1	1 Piston
	Ref.n.1	
3	! 1	1 Piston
	Ref.n.1	
4	2721332 ! 1	2 Ring
5	UPRK0002 ! 1	1 Kit
	(X) 1.2.5.	
	T-A 11:25	
6	4115C311 U491476 t	4 Kit
	A	
	T-A 14:0	
6	4115C312 U491476 t	4 Kit
	B	
	T-A 14:0	
6	4115C313 U491476 t	4 Kit
	C	
	T-A 14:0	
6	4115C314 U491476 t	4 Kit
	D	
	T-A 14:0	

Engine

C-MAX Tier 2 (2003-) - RS20 - 95

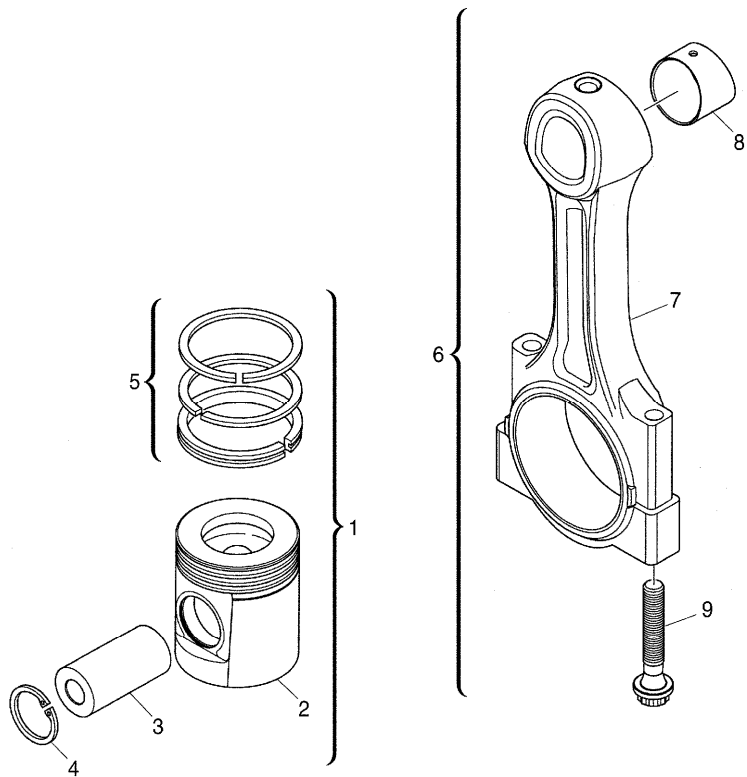
RS20\000020562.png

A-05
04



A0504

Pistons and connecting rods



		Inglese	
6	4115C315	➡ U491476 t	4 Kit
	E		
	T-A	14:0	
6	4115C316	➡ U491476 t	4 Kit
	F		
	T-A	14:0	
6	4115C361	➡ U491477 t	4 Conrod
	A		
6	4115C362	➡ U491477 t	4 Conrod
	B		
6	4115C363	➡ U491477 t	4 Conrod
	C		
6	4115C364	➡ U491477 t	4 Conrod
	D		
6	4115C365	➡ U491477 t	4 Conrod
	E		
6	4115C366	➡ U491477 t	4 Conrod
	F		
7	!	6	1 Conrod
	➡	Ref.n.6	
8	3112A005	!	6
	T-A	14:0	
9	3212V003	!	6
	➡	U491476 t	2 Screw
9	T400001	!	6
	➡	U491477 t	2 Screw

Engine

C-MAX Tier 2 (2003-) - RS20 - 95

RS20\000020562.png

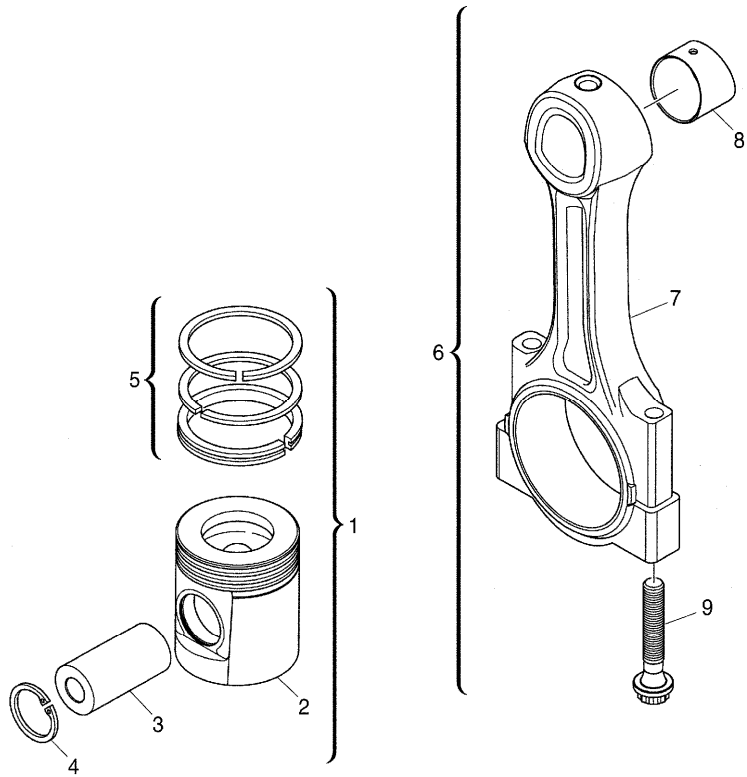
A-05
04



A0504

Pistons and connecting rods

- ! This is a component of an assembly
- ➔ From serial or engine number
- ➡ Up to serial or engine number
- 🚫 Not serviced, order
- ⏏ Shim
- (X) Qty per tractors sold (aa.bbb.ccc.ddd) (aa) for 1,(bbb) 2-10 (ccc) 11-25 (ddd) 26-50
- T-A Replacement
- A Red
- B Orange
- C White
- D Green
- E Purple
- F Blue
- G Std



Engine

C-MAX Tier 2 (2003-) - RS20 - 95

RS20\000020526.png

A-05
05



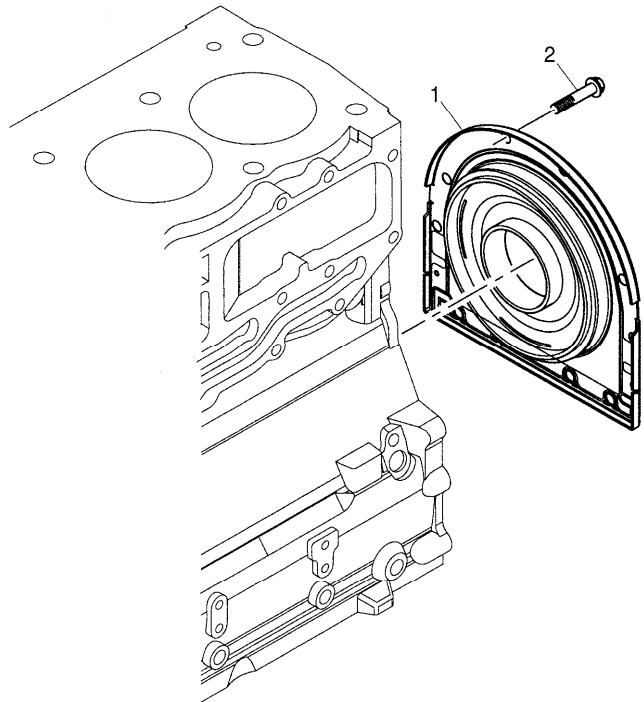
A0505

End cover

Inglese

- 1 2418F704 T-A 9:0
 - 2 3211C002
- T-A Replacement

- 1 Housing
- 10 Screw



Engine

C-MAX Tier 2 (2003-) - RS20 - 95

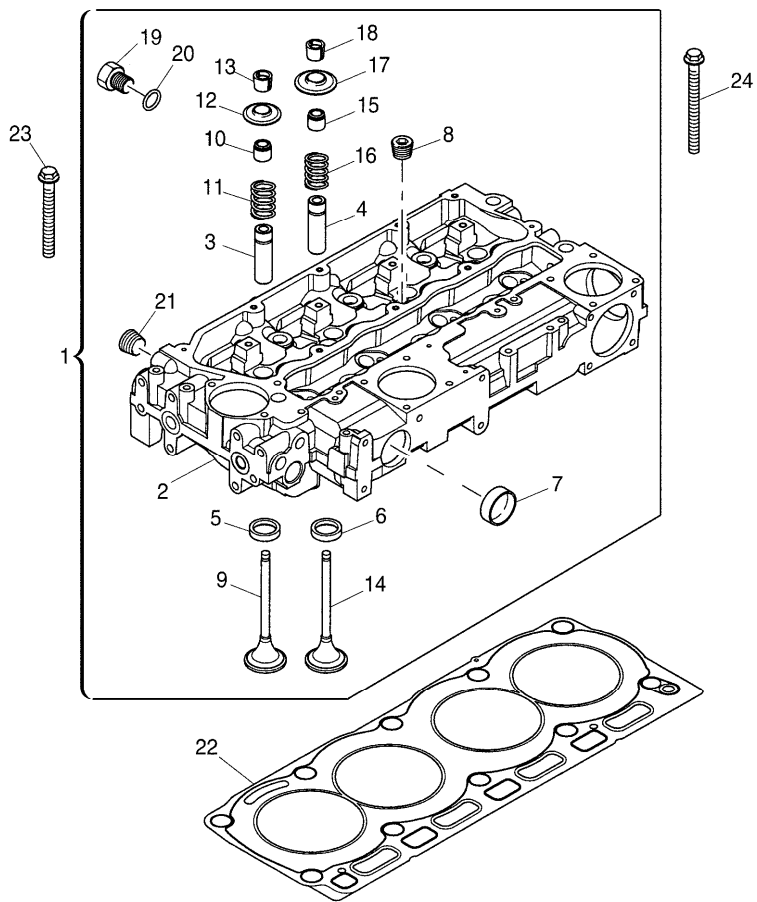
**A-05
06**



A0506

Cylinder head

RS20\000020527.png



		Inglese	
1	ZZ80268	T-A 4:0	1 Kit
		T-B 7:50	
2		!	1 Head
		➡ Ref.n.1	
3	3313A012	!	4 Insert
		T-A 7:50	
4	3313A012	!	4 Insert
		T-A 7:50	
5	3314A241	!	4 Insert
		T-A 7:50	
6	3314A231	!	4 Insert
		T-A 7:50	
7	32416117	!	2 Plug
8	0650588	!	4 Plug
9	3142H071	!	4 Valve
		T-A 7:50	
10	2418M519	T-A 3:0	4 Ring
11	3174A016	!	4 Spring
		T-A 3:0	
12	3342A011	!	4 Cover
		T-A 3:0	
13	3142W004	!	8 Cotter
		T-A 3:0	
14	3142A151	!	4 Valve
		T-A 7:50	

Engine

C-MAX Tier 2 (2003-) - RS20 - 95

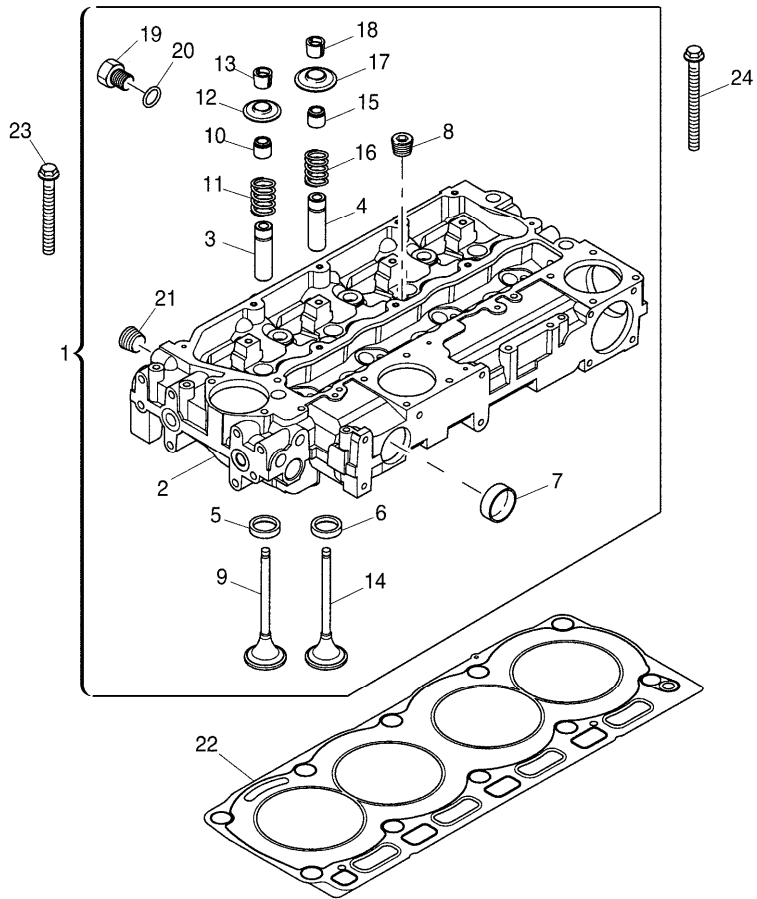
RS20\000020527.png

**A-05
06**



A0506

Cylinder head



		Inglese			
15	2418M517	!	1	4	Ring
		T-A	3:0		
16	3174A016	!	1	4	Spring
		T-A	3:0		
17	3342A011	!	1	4	Cover
		T-A	3:0		
18	3142W004	!	1	8	Cotter
		T-A	3:0		
19	3278A006	!	1	1	Plug
20	2415H003	!	1	1	Ring
21	2431154	!	1	1	Plug
22	3681E051	(X)	1.3.5.	1	Gasket
		T-A	4:0		
23	3218A011			7	Screw
24	3218A012			3	Screw
	!	This is a component of an assembly			
	🔧	Not serviced, order			
	(X)	Qty per tractors sold (aa.bbb.ccc.ddd) (aa) for 1,(bbb) 2-10 (ccc) 11-25 (ddd) 26-50			
	T-A	Replacement			
	T-B	Overhaul			

Engine

C-MAX Tier 2 (2003-) - RS20 - 95

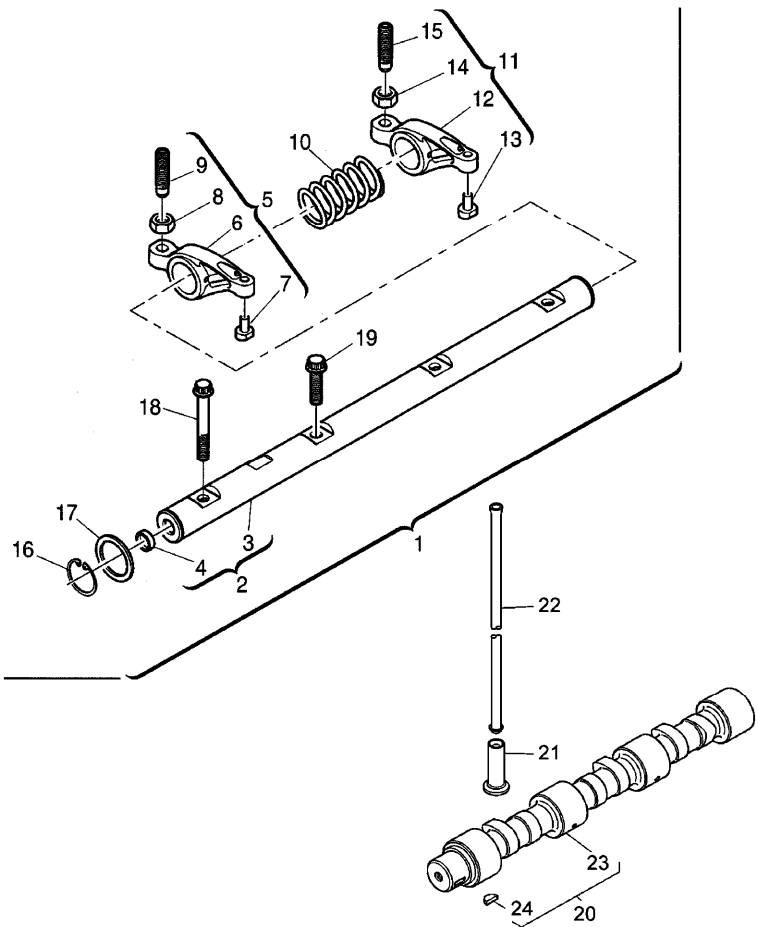
RS20\000015155.PNG

A-05
07



A0507

Rocker shaft



				Inglese
1	4115R612	T-A 4:0	4:0	1 Rocker
2	4115R703	!	1	1 Shaft
		T-A 4:0	4:0	
3		!	2	1 Shaft
		➡	Ref.n.2	
4	2485A104	!	2	2 Plug
5	4115R314	!	1	4 Rocker
		T-A 4:0	4:0	
6		!	5	1 Rocker
		➡	Ref.n.5	
7		!	5	1 Pad
		➡	Ref.n.5	
8	0576052	!	5	1 Nut
9	32114145	!	5	1 Screw
10	3174A015	!	1	3 Spring
		T-A 4:0	4:0	
11	4115R315	!	1	4 Rocker
		T-A 4:0	4:0	
12		!	11	1 Rocker
		➡	Ref.n.11	
13		!	11	1 Pad
		➡	Ref.n.11	
14	0576052	!	11	1 Nut
15	32114145	!	11	1 Screw
		T-A 1:25	1:25	
16	2722A022	!	1	2 Ring

Buy Now



Our support email:

ebooklibonline@outlook.com