

Engine

C-MAX Tier 2 (2003-) - RS20 - 105

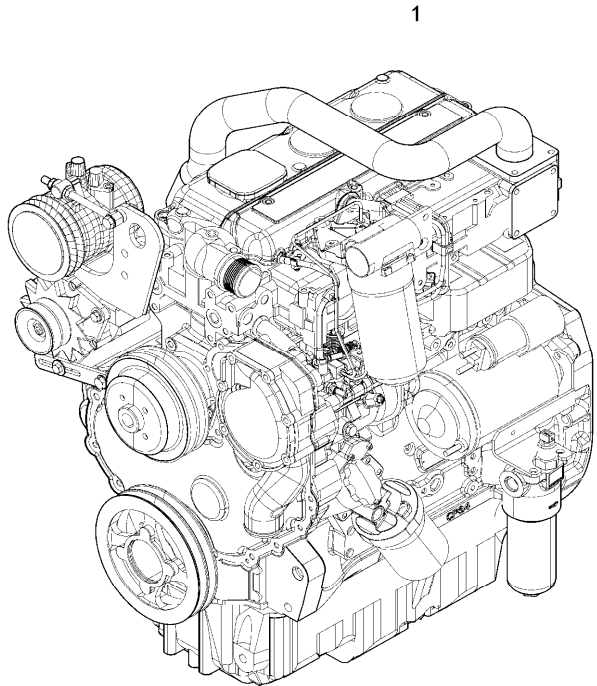
RS20\00005170.png

A-05
01



A0501

Complete engine - with green engine



Inglese

1 3671111M91 ● 3671111M92(1) 1 Engine
"perkins - rg37924

D

T-A 7:0

T-B 30:0

1 4208198M91 ➔ 01/02/08 1 Engine
"perkins - rg81673

B

1 4208202M91 ➔ 01/02/08 1 Engine
"perkins - rg81674

C

➔ From serial or engine number

● Replacement

T-A Replacement

T-B Overhaul

B For market "ue"

C For market "epa"

D For other markets

Engine

C-MAX Tier 2 (2003-) - RS20 - 105

RS20\000020625.png

A-05
011



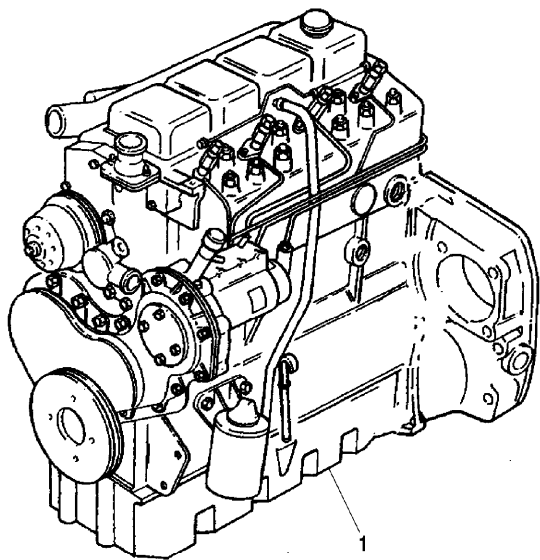
A05011

Engine assembly - with blu engine

Inglese

1 3684364M91

"perkins - rs81543 1 Engine



Engine

C-MAX Tier 2 (2003-) - RS20 - 105

RS20\00002787.png

A-05
012

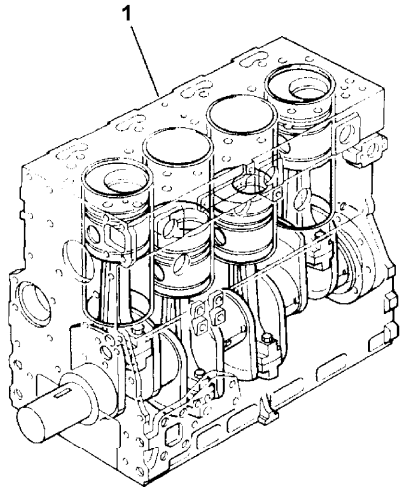


A05012

Short engine - for green engine

Inglese

- | | | | | | |
|---|---------|-----|----------------------------------|---|--------------|
| 1 | RG40001 | ➡ | U491476 t | 1 | Short engine |
| | | ● | 3115A141(1),
32186146(3), RG4 | | |
| | | T-A | 0:30 | | |
| 1 | RG40023 | ➡ | U491477 t | 1 | Short engine |
- ➡ From serial or engine number
➡ Up to serial or engine number
● Replacement
T-A Replacement



Engine

C-MAX Tier 2 (2003-) - RS20 - 105

RS20\00002787.png

**A-05
013**

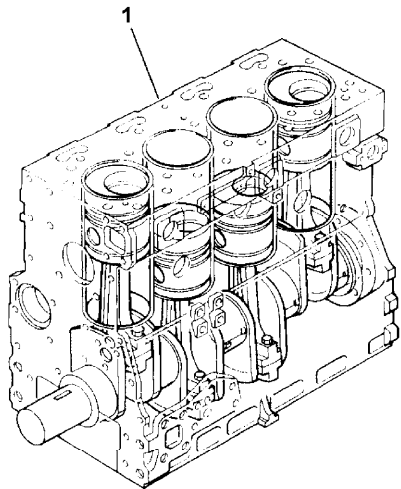


A05013

Short engine - for blue engine

Inglese

- | | | | |
|---|---|-------------------|----------------|
| 1 | ➡ | U491476 t | 1 Short engine |
| | | A | |
| 1 | ➡ | RG40023 U491477 t | 1 Short engine |
- ➡ From serial or engine number
➡ Up to serial or engine number
A To be advised



Engine

C-MAX Tier 2 (2003-) - RS20 - 105

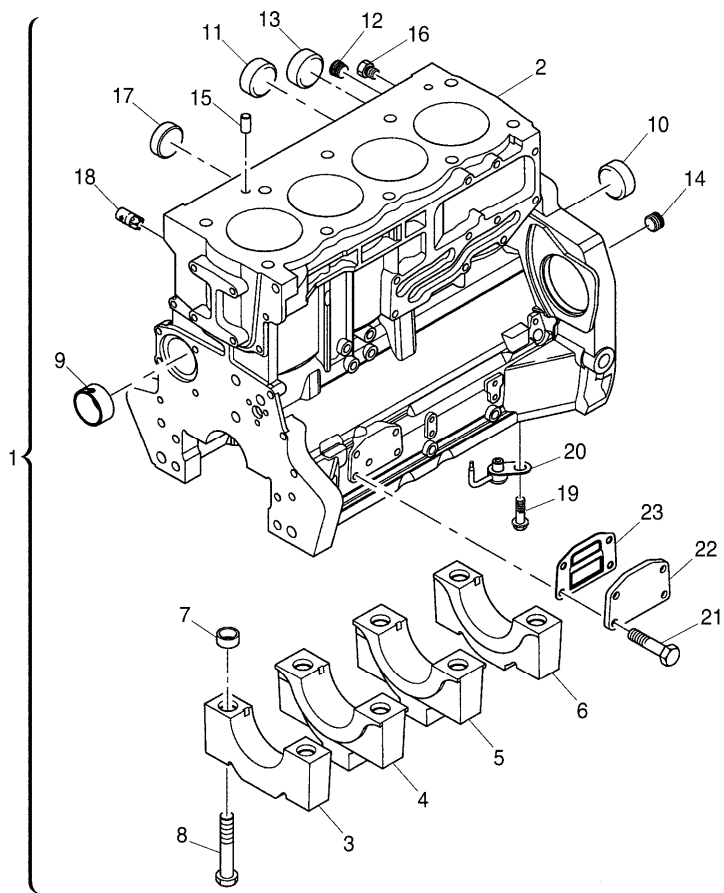
A-05
02



A0502

Cylinder block

RS20\000020523.png



		Inglese	
1	ZZ50312	● ZZ50325(1)	1 Kit
		T-A 30:0	
2		! 1	1 Cylinder block
		➡ Ref.n.1	
3		! 1	1 Bearing
		➡ Ref.n.1	
4		! 1	2 Bearing
		➡ Ref.n.1	
5		! 1	1 Bearing
		➡ Ref.n.1	
6		! 1	1 Bearing
		➡ Ref.n.1	
7	33142111	! 1	10 Manicott
8	32166329	! 1	10 Screw
9	3112D071	! 1	1 Bush
		● 3112D075(1)	
10	3241A012	! 1	1 Plug
11	3241A011	! 1	2 Plug
12	0650588	! 1	1 Plug
13	0650710	! 1	1 Plug
14	3212P008	! 1	1 Plug
15	3244A009	! 1	2 Dowel
16	32141316	! 1	2 Plug
17	2485A108	! 1	1 Plug
18	3212V006	! 1	1 Plug

Engine

C-MAX Tier 2 (2003-) - RS20 - 105

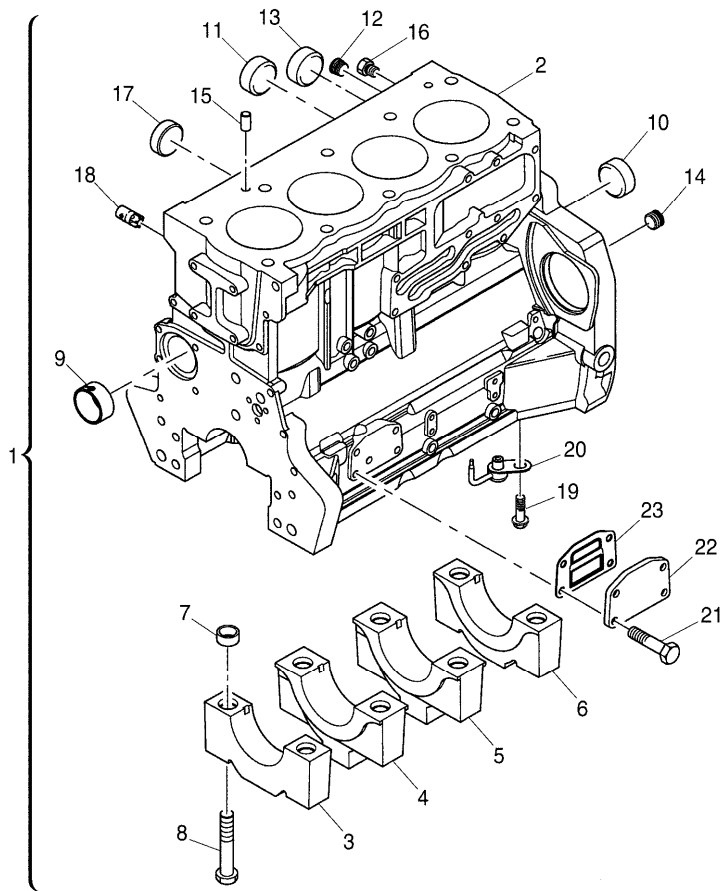
RS20\000020523.png

A-05
02



A0502

Cylinder block



- 19 2314F001 ! 1
- 20 2113A003 ! 1
- 21 2314H033 ! 1
- 22 3623A009 ! 1
- T-A 0:25
- 23 3688A039 ! 1
- T-A 0:25

Inglese

- 4 Screw
- 4 Atomiser
- 4 Screw
- 1 Plate
- 1 Gasket

- ! This is a component of an assembly
- ▣ Not serviced, order
- Replacement
- T-A Replacement

Engine

C-MAX Tier 2 (2003-) - RS20 - 105

A-05
03

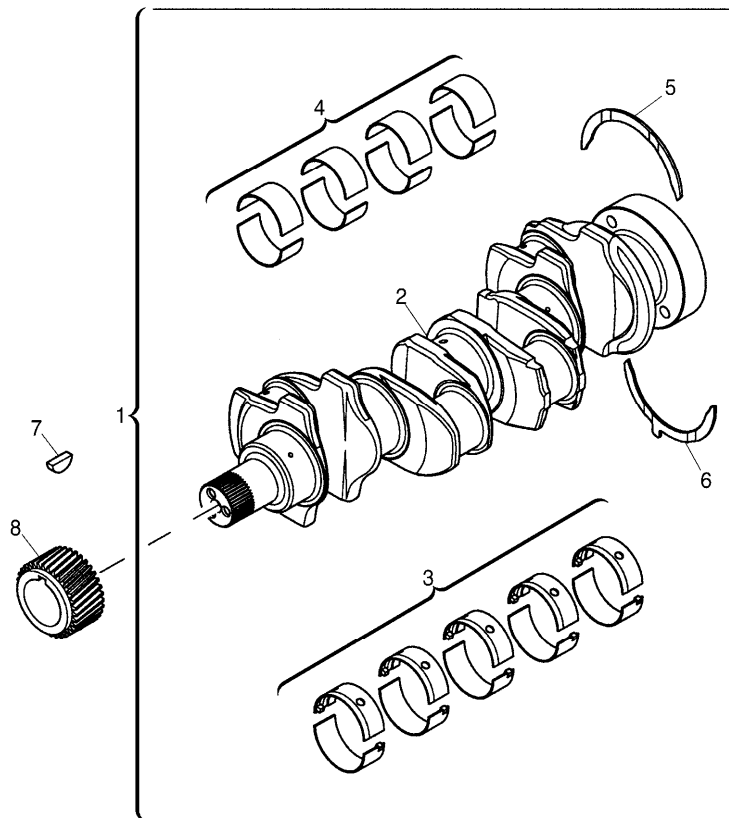


A0503

Crankshaft

RS20\000020524.png

Inglese



1	ZZ90222	➔	U491476 t	1	Kit
		●	ZZ90239(1)		
			T-A 15:0		
1	ZZ90237	➔	U491477 t	1	Shaft
2		!	1	1	Shaft
		➔	Ref.n.1		
3	U5MB0018	!	1	1	Kit
		➔	U491476 t		
		●	U5MB0033(1)		
			T-A 15:0		
3	U5MB0018A	!	1	1	Kit
		⌵	0.010"		
		➔	U491476 t		
		●	U5MB0033A(1)		
			T-A 15:0		
3	U5MB0018B	!	1	1	Kit
		⌵	0.020"		
		➔	U491476 t		
		●	U5MB0033B(1)		
			T-A 15:0		
3	U5MB0018C	!	1	1	Kit
		⌵	0.030"		
		➔	U491476 t		
		●	N.L.A.(1)		
			T-A 15:0		

Engine

C-MAX Tier 2 (2003-) - RS20 - 105

A-05
03

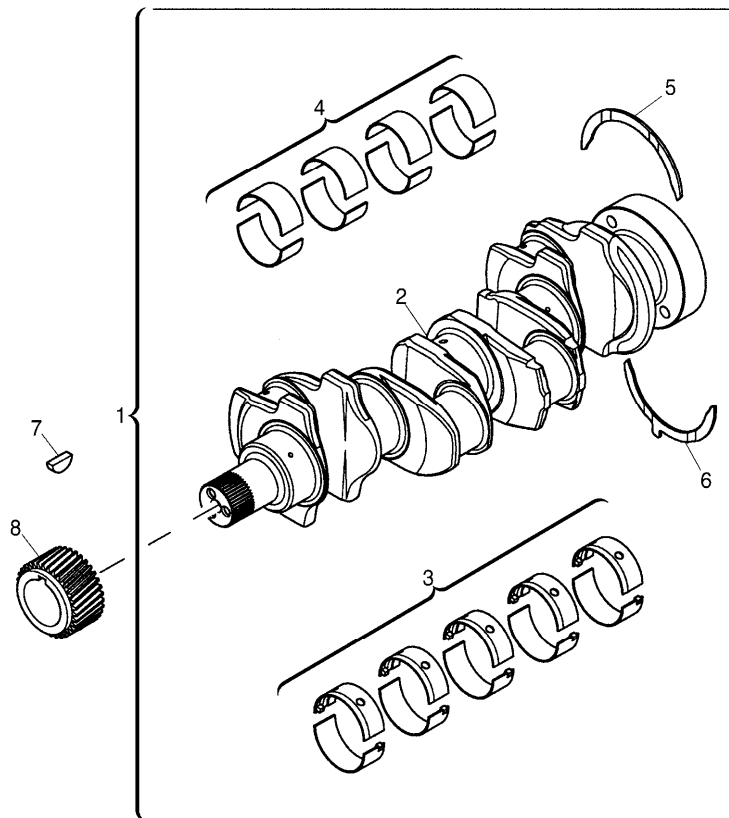


A0503

Crankshaft

RS20\000020524.png

Inglese



3	U5MB0033	!	1	1 Kit
		➔	U491477 t	
3	U5MB0033A	!	1	1 Kit
		⊗	-0,25mm	
		➔	U491477 t	
3	U5MB0033B	!	1	1 Kit
		⊗	-0,50mm	
		➔	U491477 t	
3	U5MB0033C	!	1	1 Kit
		⊗	-0,75mm	
		➔	U491477 t	
		●	N.L.A.(1)	
4	T400002	!	1	1 Kit
		➔	U491477 t	
		●	T410927(1)	
4	U5ME0026	!	1	1 Kit
		➔	U491476 t	
		●	U5ME0034(1)	
4	U5ME0026A	!	1	1 Kit
		⊗	+0,25mm	
		➔	U491476 t	
		●	U5ME0034A(1)	
4	U5ME0026B	!	1	1 Kit
		⊗	+0,50mm	
		➔	U491476 t	
		●	U5ME0034B(1)	

Engine

C-MAX Tier 2 (2003-) - RS20 - 105

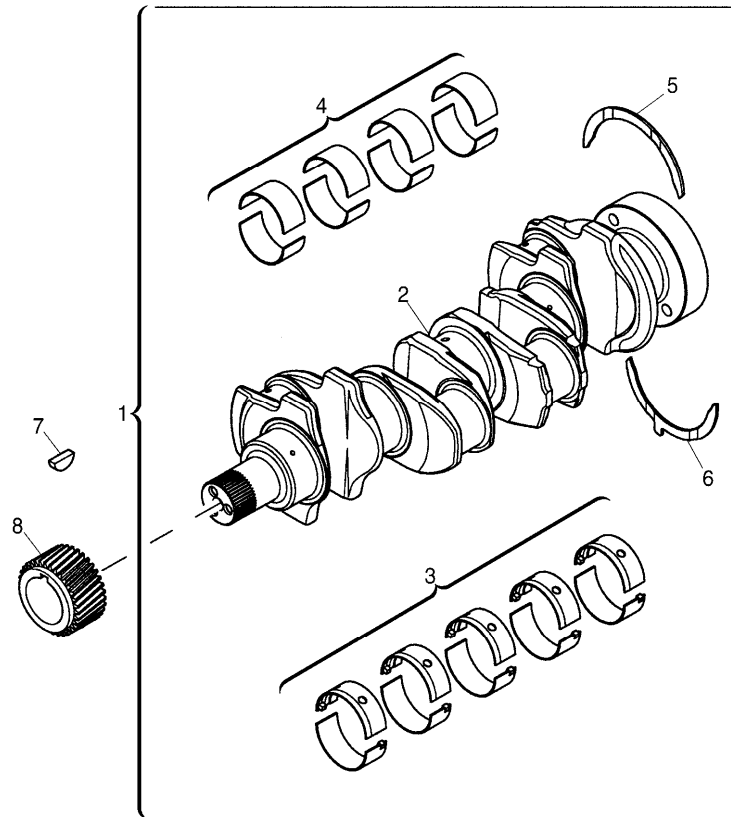
RS20\000020524.png

**A-05
03**



A0503

Crankshaft



				Inglese
4	U5ME0026C	!	1	1 Kit
		▲	+0,75mm	
		➔	U491476 t	
		●	U5ME0034C(1)	
5	31137312	!	1	2 Ring
		▲	0.007"	
		T-A	15:0	
5	31137551	!	1	2 Washer
		T-A	15:0	
6	31137322	!	1	2 Ring
		▲	0.007"	
		T-A	15:0	
6	31137561	!	1	2 Washer
		T-A	15:0	
7	0500012	T-A	10:0	1 Key
8	3117C221	T-A	10:0	1 Gear
	!	This is a component of an assembly		
	➔	From serial or engine number		
	➔	Up to serial or engine number		
	➔	Not serviced, order		
	▲	Shim		
	●	Replacement		
	T-A	Replacement		

Engine

C-MAX Tier 2 (2003-) - RS20 - 105

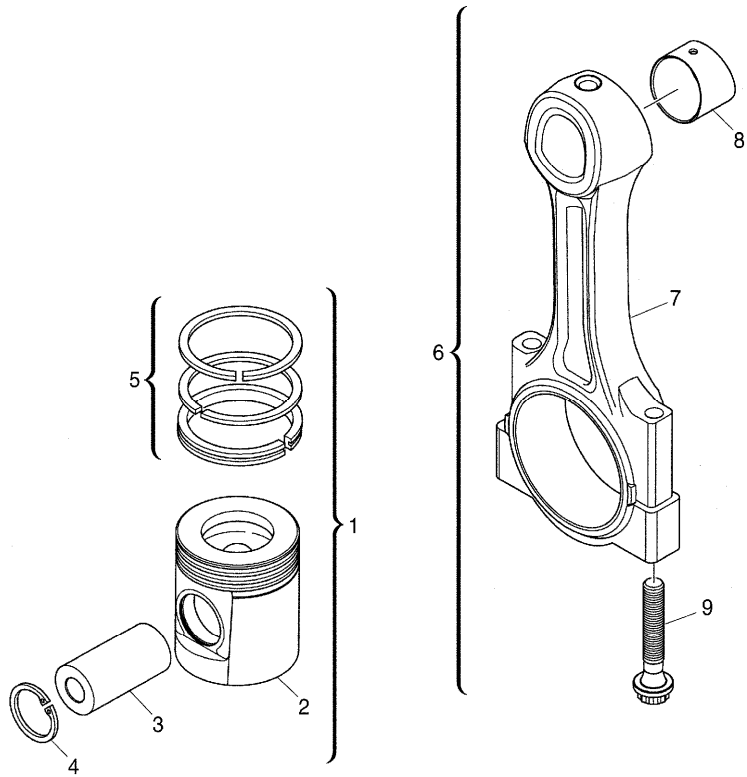
RS20\000020562.png

**A-05
04**



A0504

Pistons and connecting rods



		Inglese
1	4115P015 G	4 Kit
	T-A 14:0	
1	4115P016 +0,5 mm	4 Kit
1	4115P017 +1,0 mm	4 Kit
2	! 1	1 Piston
	Ref.n.1	
3	! 1	1 Piston
	Ref.n.1	
4	2721332 ! 1	2 Ring
5	UPRK0002 ! 1	1 Kit
	(X) 1.2.5.	
	T-A 11:25	
6	4115C311 U491476 t	4 Kit
	A	
	T-A 14:0	
6	4115C312 U491476 t	4 Kit
	B	
	T-A 14:0	
6	4115C313 U491476 t	4 Kit
	C	
	T-A 14:0	
6	4115C314 U491476 t	4 Kit
	D	
	T-A 14:0	

Engine

C-MAX Tier 2 (2003-) - RS20 - 105

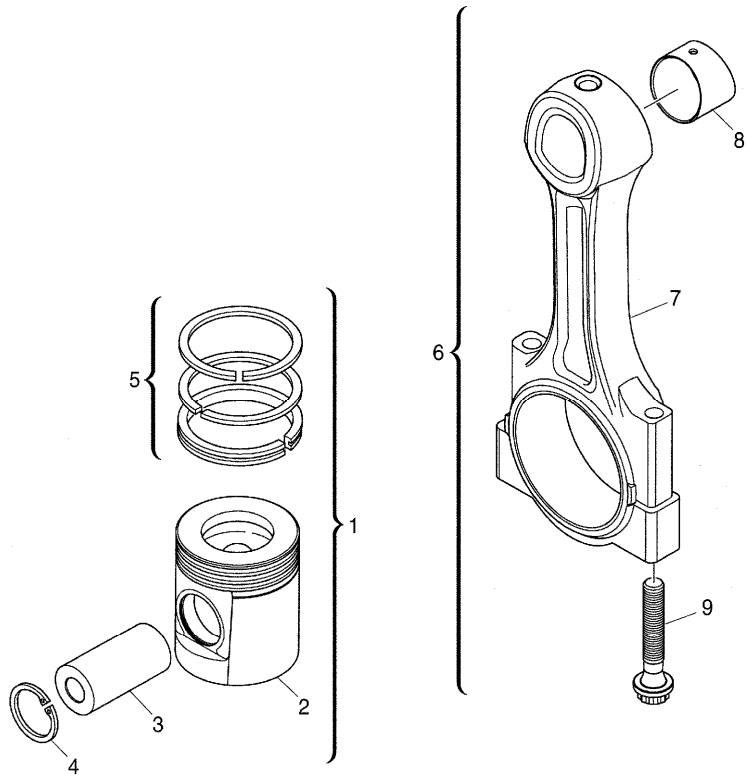
RS20\000020562.png

A-05
04



A0504

Pistons and connecting rods



		Inglese	
6	4115C315	➡ U491476 t	4 Kit
	E		
	T-A	14:0	
6	4115C316	➡ U491476 t	4 Kit
	F		
	T-A	14:0	
6	4115C361	➡ U491477 t	4 Conrod
	A		
6	4115C362	➡ U491477 t	4 Conrod
	B		
6	4115C363	➡ U491477 t	4 Conrod
	C		
6	4115C364	➡ U491477 t	4 Conrod
	D		
6	4115C365	➡ U491477 t	4 Conrod
	E		
6	4115C366	➡ U491477 t	4 Conrod
	F		
7	!	6	1 Conrod
	➡	Ref.n.6	
8	3112A005	!	6
	T-A	14:0	
9	3212V003	!	6
	➡	U491476 t	2 Screw
9	T400001	!	6
	➡	U491477 t	2 Screw

Engine

C-MAX Tier 2 (2003-) - RS20 - 105

RS20\000020562.png

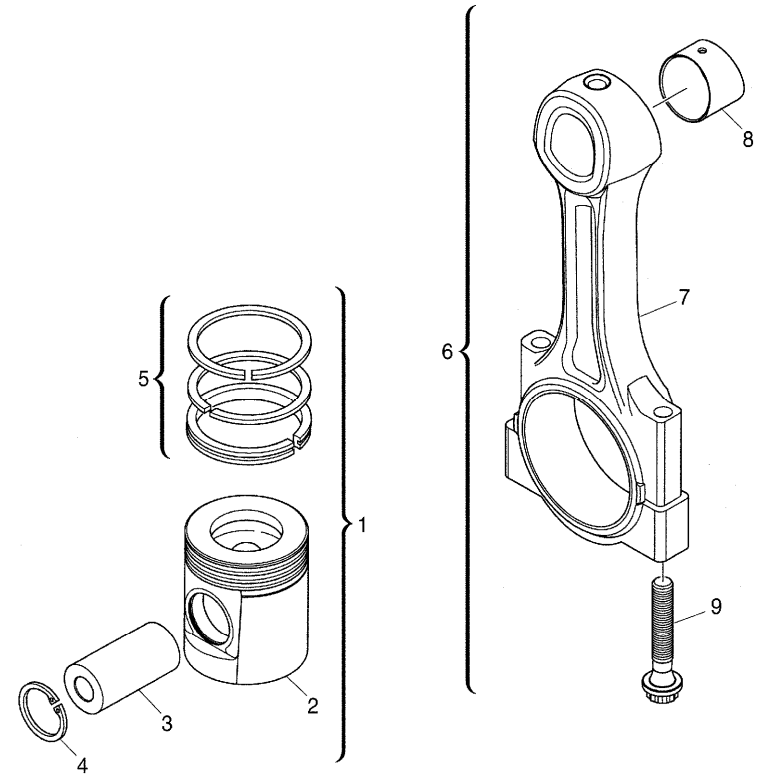
A-05
04



A0504

Pistons and connecting rods

- ! This is a component of an assembly
- ➔ From serial or engine number
- ➡ Up to serial or engine number
- 🚫 Not serviced, order
- ⏏ Shim
- (X) Qty per tractors sold (aa.bbb.ccc.ddd) (aa) for 1,(bbb) 2-10 (ccc) 11-25 (ddd) 26-50
- T-A Replacement
- A Red
- B Orange
- C White
- D Green
- E Purple
- F Blue
- G Std



Engine

C-MAX Tier 2 (2003-) - RS20 - 105

RS20\000020526.png

A-05
05



A0505

End cover

Inglese

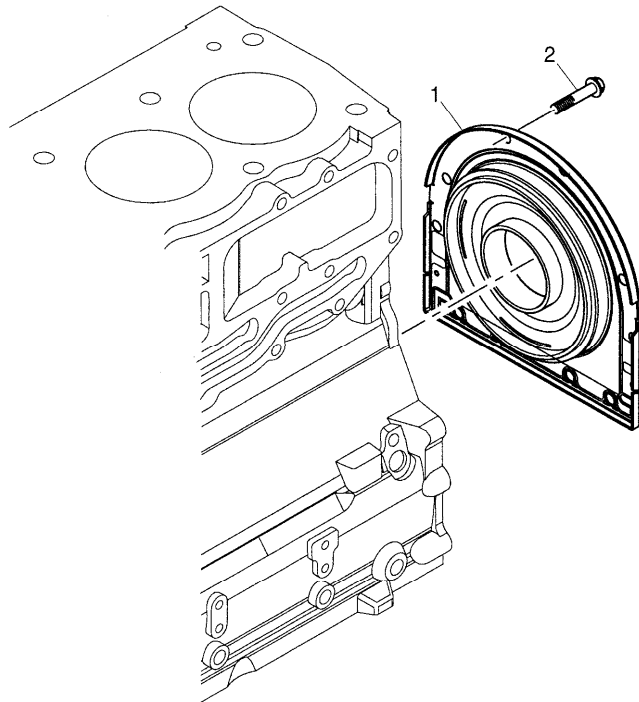
1 2418F704 T-A 9:0

2 3211C002

T-A Replacement

1 Housing

10 Screw



Engine

C-MAX Tier 2 (2003-) - RS20 - 105

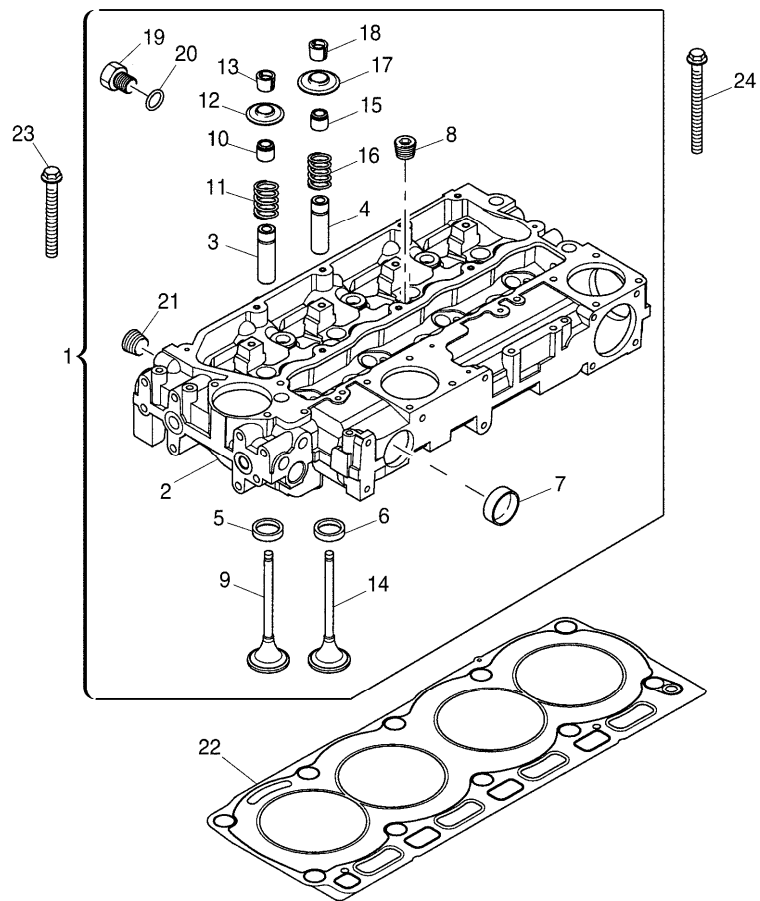
RS20\000020527.png

**A-05
06**



A0506

Cylinder head



		Inglese	
1	ZZ80268	T-A 4:0	1 Kit
		T-B 7:50	
2		!	1 Head
		➡ Ref.n.1	
3	3313A012	!	4 Insert
		T-A 7:50	
4	3313A012	!	4 Insert
		T-A 7:50	
5	3314A241	!	4 Insert
		T-A 7:50	
6	3314A231	!	4 Insert
		T-A 7:50	
7	32416117	!	2 Plug
8	0650588	!	4 Plug
9	3142H071	!	4 Valve
		T-A 7:50	
10	2418M519	T-A 3:0	4 Ring
11	3174A016	!	4 Spring
		T-A 3:0	
12	3342A011	!	4 Cover
		T-A 3:0	
13	3142W004	!	8 Cotter
		T-A 3:0	
14	3142A151	!	4 Valve
		T-A 7:50	

Buy Now



Our support email:

ebooklibonline@outlook.com