

Engine

MB Series Tier 1 (Limited market) (2002-2005) - RT60 - MB75

60\00001553.png

A-05
01



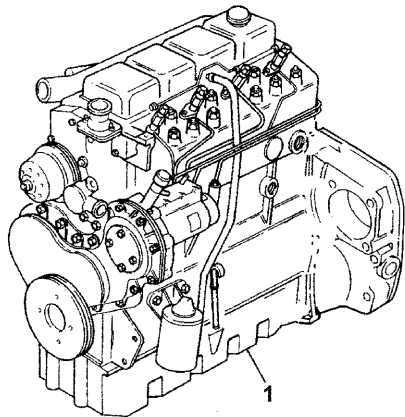
A0501

Engine assembly - with blu engine

1 3655203M92

Lm 81200

Inglese
1 Engine



Engine

MB Series Tier 1 (Limited market) (2002-2005) - RT60 - MB75

60\0000005E.png

A-05
02



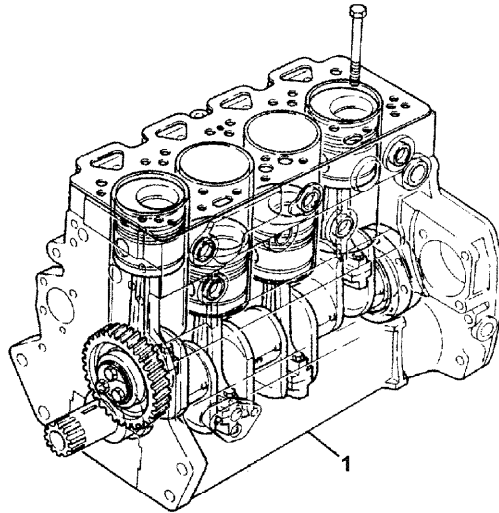
A0502

Short engine - with std (blu) engine

Inglese

- 1 LM39346 A
- A Complete with plugs

1 Engine



Engine

A-05
03

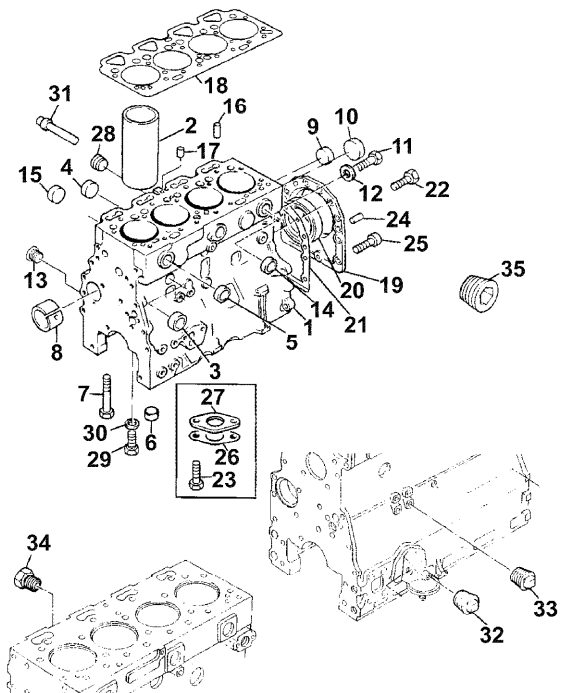
Cylinder block - plate d - with blu engine

MB Series Tier 1 (Limited market) (2002-2005) - RT60 - MB75



A0503

60\00001880.png



| | | | | Inglese |
|----|----------|-------------|-------------|-------------------|
| 1 | ZZ50293 | ● | N.L.S.(1) | 1 Cylinder block |
| 2 | 3135X033 | ! | 1 | 4 Liner |
| | | A | | |
| | | (X) 0.4.8.1 | | |
| 2 | 3135X034 | ! | 1 | 1 Liner |
| | | B | | |
| 3 | 0650710 | ! | 1 | 8 Plug |
| 4 | 32418122 | ! | 1 | 4 Plug |
| 5 | 32418124 | | | 1 Plug |
| 6 | 33142111 | ! | 1 | 10 Sleeve |
| 7 | 32166329 | ! | 1 | 10 Screw |
| 8 | 31134165 | ! | 1 | 1 Bush |
| 9 | 32416117 | ! | 1 | 1 Plug |
| 10 | 32416118 | ! | 1 | 2 Plug |
| 11 | 0650582 | ! | 1 | 1 Plug |
| 12 | 2415D108 | ! | 1 | 1 Washer |
| 13 | 3212T006 | | | 2 Universal joint |
| 14 | 0650713 | | | 1 Plug |
| 15 | 32416118 | ! | 1 | 3 Plug |
| 16 | 2116081 | | | 2 Pin |
| 17 | 32417134 | ! | 1 | 1 Plug |
| 18 | 3681E025 | ● | 3681E037(1) | 1 Gasket |
| | | (X) | | |
| 19 | 4142V066 | | | 1 Flange |

Engine

**A-05
03**

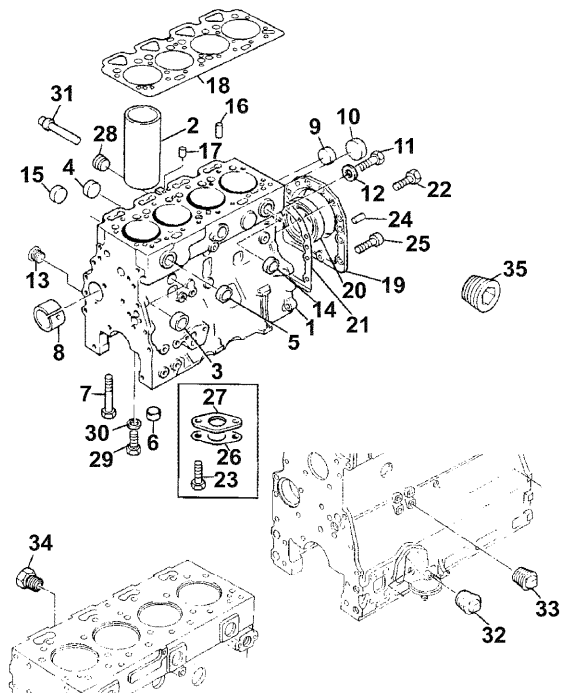
Cylinder block - plate d - with blu engine

MB Series Tier 1 (Limited market) (2002-2005) - RT60 - MB75



A0503

60\00001880.png



Inglese

| | | | | |
|-----|--|-----|-------------|----------|
| 20 | 2418F475 | ! | 1 | 1 Seal |
| | | (X) | 0.1.2. | |
| 21 | 3681T018 | | | 1 Gasket |
| 22 | 2314H003 | | | 12 Screw |
| 23 | 2314H032 | | | 2 Screw |
| 24 | 0350009 | | | 2 Dowel |
| 25 | 3212V002 | | | 2 Screw |
| 26 | 36832144 | | | 1 Gasket |
| 27 | 36171131 | | | 1 Plate |
| 28 | 0650588 | ! | 1 | 2 Plug |
| 29 | 2182110 | ! | 1 | 4 Screw |
| 30 | 376616X1 | ! | 1 | 4 Spacer |
| 31 | 2485A204 | ! | 1 | 1 Plug |
| | | ● | 2485A304(1) | |
| 32 | 0650594 | | | 1 Plug |
| 33 | 0650594 | | | 1 Plug |
| 34 | 32161114 | | | 1 Plug |
| 35 | 2431154 | | | 1 Plug |
| ! | This is a component of an assembly | | | |
| ● | Replacement | | | |
| (X) | Qty per tractors sold (aa.bbb.ccc.ddd) (aa) for 1,(bbb) 2-10 (ccc) 11-25 (ddd) 26-50 | | | |
| A | Press fit | | | |
| B | Slip fit | | | |

Engine

**A-05
04**

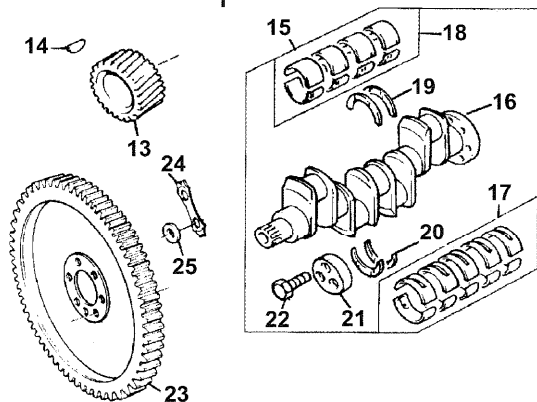
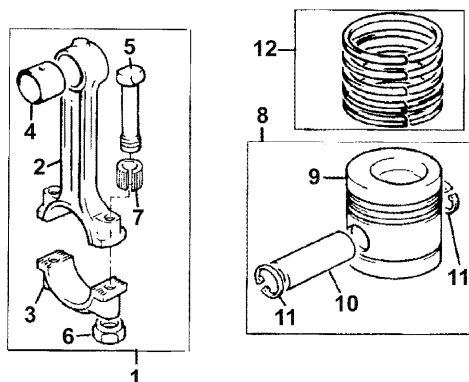
Crankshaft, pistons and connecting rods - plate b - with blu engine

MB Series Tier 1 (Limited market) (2002-2005) - RT60 -
MB75



A0504

60\00001883.png



| | | | | Inglese |
|----|----------|-----|-------------|-----------|
| 1 | ZZ90009 | (X) | 0.0.4. | 4 Conrod |
| 2 | | ➡ | Ref.n.1 | 1 Conrod |
| | | ! | 1 | |
| 3 | | ➡ | Ref.n.1 | 1 Support |
| | | ! | 1 | |
| 4 | 31134123 | ! | 1 | 1 Thimble |
| | | (X) | 0.4.8.1 | |
| 5 | 32762145 | ! | 1 | 2 Screw |
| 6 | 33221328 | ! | 1 | 2 Nut |
| 7 | 2135A001 | ! | 1 | 2 Thimble |
| 8 | U5LL0031 | ● | U5LH0013(4) | 4 Kit |
| 9 | | ➡ | Ref.n.8 | 1 Piston |
| | | ! | 8 | |
| | | (X) | 0.4.8.1 | |
| 10 | | ➡ | Ref.n.8 | 1 Pin |
| | | ! | 8 | |
| 11 | 0170002 | ! | 8 | 2 Ring |
| 12 | 4115Y001 | (X) | 0.4.8.1 | 4 Kit |
| 13 | 31171681 | | | 1 Gear |
| 14 | 0500012 | | | 1 Key |
| 15 | ZZ90143 | ● | ZZ90238(1) | 1 Kit |
| | | (X) | | |
| 16 | | ➡ | Ref.n.15 | 1 Shaft |
| | | ! | 15 | |

Engine

**A-05
04**

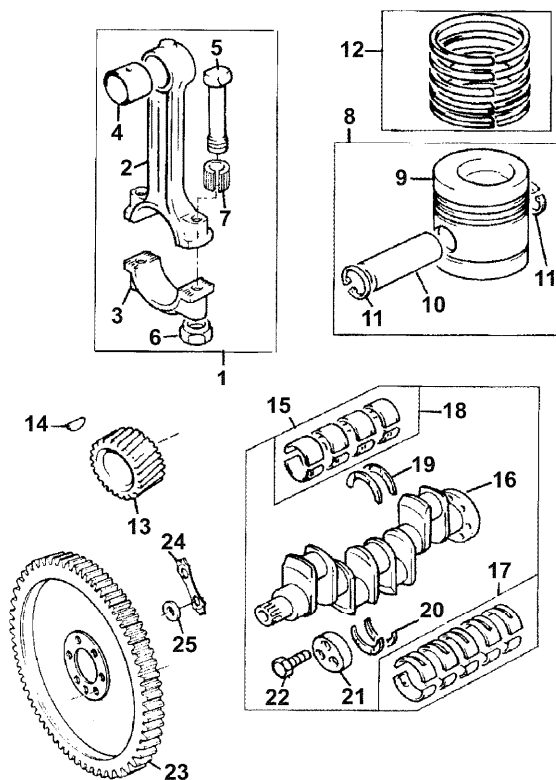
Crankshaft, pistons and connecting rods - plate b - with blu engine

MB Series Tier 1 (Limited market) (2002-2005) - RT60 - MB75



A0504

60\00001883.png



Inglese

| | | | |
|-----------|-----|--------------|-----------|
| 17 81558 | ! | 15 | 1 Bearing |
| | ● | U5MB0034(1) | |
| | A | | |
| | (X) | | |
| 17 81558A | ⚡ | -0,010 | 1 Bearing |
| | ! | 15 | |
| | ● | U5MB0034A(1) | |
| | A | | |
| 17 81558B | ⚡ | -0,020 | 1 Kit |
| | ! | 15 | |
| | ● | U5MB0034B(1) | |
| | A | | |
| 17 81558C | ⚡ | 0,030 | 1 Bearing |
| | ! | 15 | |
| | ● | U5MB0034C(1) | |
| | A | | |
| 18 85042 | ! | 15 | 1 Kit |
| | A | | |
| | (X) | 0.0.1. | |
| 18 85042A | ⚡ | -0,010 | 1 Kit |
| | ! | 15 | |
| | ● | U5ME0034A(1) | |
| | A | | |

Engine

**A-05
04**

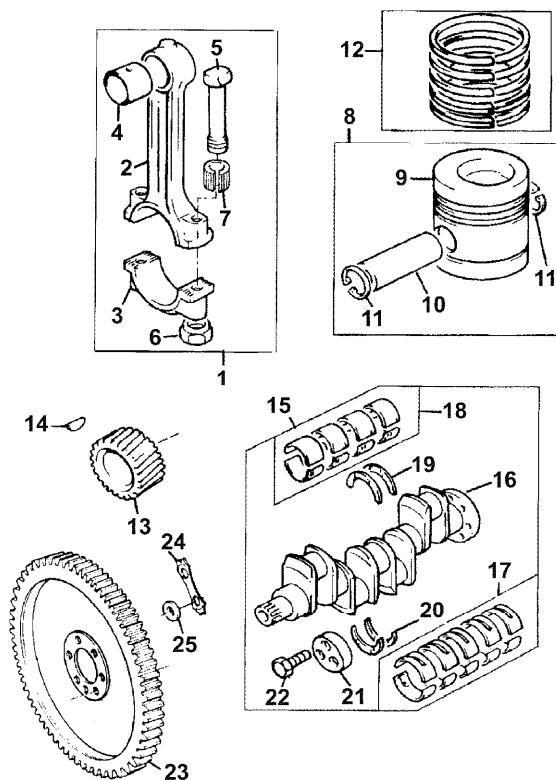
Crankshaft, pistons and connecting rods - plate b - with blu engine

MB Series Tier 1 (Limited market) (2002-2005) - RT60 - MB75



A0504

60\00001883.png



Inglese

| | | | | | |
|-----|--|-----|--------------|---|------------|
| 18 | 85042B | ✂ | -0,020 | 1 | Kit |
| | | ! | 15 | | |
| | | ● | U5ME0034B(1) | | |
| | | A | | | |
| 18 | 85042C | ✂ | -0,030 | 1 | Kit |
| | | ! | 15 | | |
| | | A | | | |
| 19 | 31137312 | ✂ | +0,007 | 1 | Ring |
| | | ! | 15 | | |
| 19 | 31137551 | ! | 15 | 2 | Washer |
| | | (X) | 0.0.2. | | |
| 20 | 31137322 | ✂ | +0,007 | 1 | Ring |
| | | ! | 15 | | |
| 20 | 31137561 | ! | 15 | 2 | Washer |
| | | (X) | 0.0.2. | | |
| 21 | | ⊕ | A-05 07 8 | 1 | Ring |
| | | ! | 15 | | |
| 22 | | ⊕ | A-05 07 9 | 3 | Screw |
| 23 | 3552228M1 | | | 1 | Crownwheel |
| 24 | 0921062 | | | 3 | Plate |
| 25 | 33117127 | | | 6 | Washer |
| ! | This is a component of an assembly | | | | |
| ⊕ | See page - reference number | | | | |
| ⊔ | Not serviced, order | | | | |
| ✂ | Shim | | | | |
| ● | Replacement | | | | |
| (X) | Qty per tractors sold (aa.bbb.ccc.ddd) (aa) for 1,(bbb) 2-10 (ccc) 11-25 (ddd) 26-50 | | | | |

Engine

A-05
04

Crankshaft, pistons and connecting rods - plate b - with blu engine

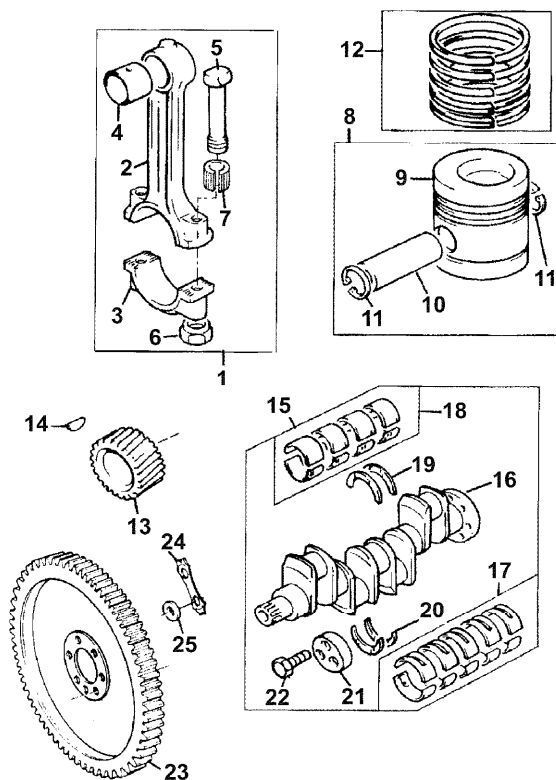
MB Series Tier 1 (Limited market) (2002-2005) - RT60 -
MB75



A0504

60\00001883.png

A Ended



Engine

A-05
05

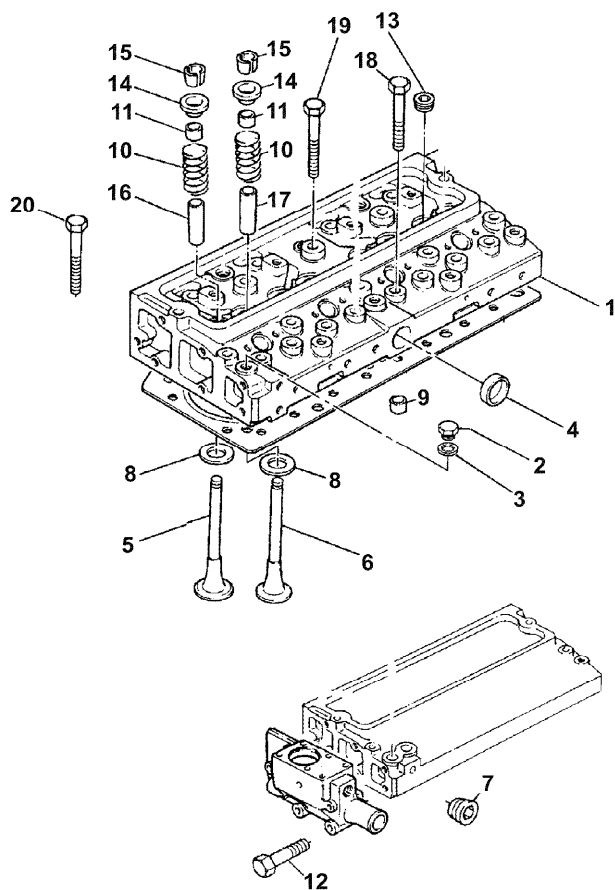
Cylinder head - plate c - with blu engine

MB Series Tier 1 (Limited market) (2002-2005) - RT60 - MB75



A0505

60\000030.254.png



| | | | | Inglese |
|----|----------|-----|------------|-----------|
| 1 | ZZ80201 | ● | ZZ80215(1) | 1 Kit |
| | | (X) | | |
| 1 | ZZ80202 | ● | ZZ80215(1) | 1 Kit |
| | | A | | |
| 2 | 0650203 | ! | 1 | 1 Plug |
| 3 | 2411157 | ! | 1 | 1 Washer |
| 4 | 0650710 | ! | 1 | 1 Plug |
| 5 | 3142L051 | ! | 1 | 4 Valve |
| | | (X) | 0.4.8.1 | |
| 6 | 3142A051 | ! | 1 | 4 Valve |
| | | (X) | 0.4.8.1 | |
| 7 | 2431154 | | | 1 Plug |
| 8 | 33415118 | ! | 1 | 8 Washer |
| | | (X) | 0.4.8.1 | |
| 9 | 32417121 | ! | 1 | 4 Plug |
| 10 | 3174P405 | ! | 1 | 8 Spring |
| | | (X) | 0.4.8.1 | |
| 11 | 33817117 | ! | 1 | 8 Seal |
| | | (X) | 0.4.8.1 | |
| 12 | 2314J010 | | | 1 Screw |
| 13 | 0650586 | ! | 1 | 4 Plug |
| 14 | 3342T007 | ! | 1 | 8 Plug |
| | | (X) | 0.4.8.1 | |
| 15 | 33173108 | ! | 1 | 16 Cotter |
| | | A | | |
| | | (X) | 0.4.8.1 | |

Engine

A-05
05

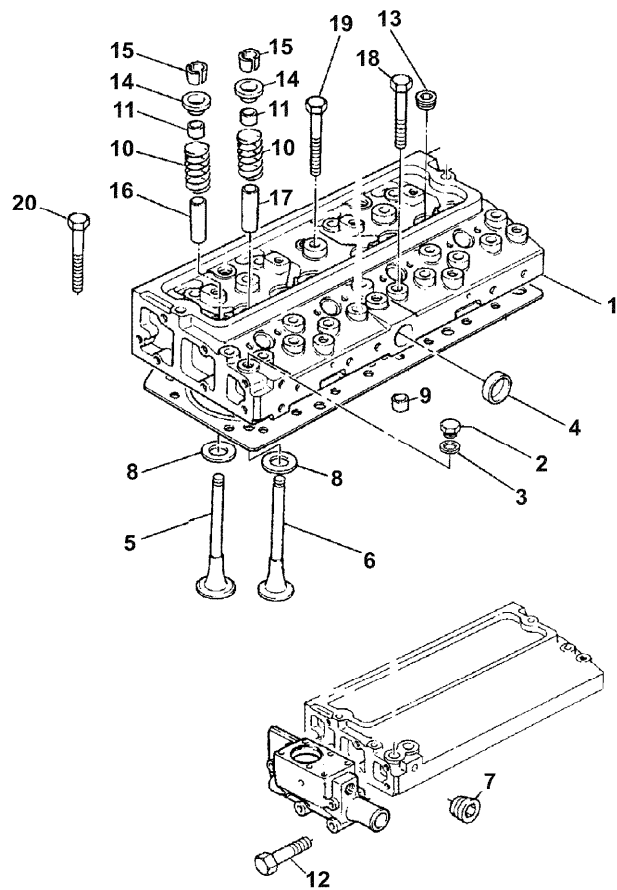
Cylinder head - plate c - with blu engine

MB Series Tier 1 (Limited market) (2002-2005) - RT60 - MB75



A0505

60\000030.254.png



Inglese

| | | | | | |
|----|----------|--|---------|----|-------|
| 16 | 3343F041 | ! | 1 | 4 | Guide |
| | | (X) | 0.4.8.1 | | |
| 17 | 3343J021 | ! | 1 | 4 | Guide |
| | | (X) | 0.0.4.1 | | |
| 18 | 32166219 | | | 8 | Screw |
| 19 | 32166221 | | | 12 | Screw |
| 20 | 32166222 | | | 2 | Screw |
| | ! | This is a component of an assembly | | | |
| | ● | Replacement | | | |
| | (X) | Qty per tractors sold (aa.bbb.ccc.ddd) (aa) for 1,(bbb) 2-10 (ccc) 11-25 (ddd) 26-50 | | | |
| | A | Serviced in pair | | | |

Engine

MB Series Tier 1 (Limited market) (2002-2005) - RT60 - MB75

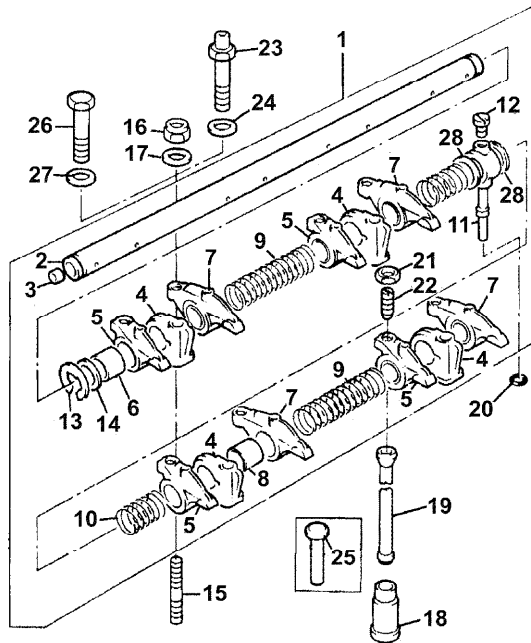
60\00001885.png

A-05
06



A0506

Rocker shaft - plate a - with blu engine



| | | Inglese |
|----|------------------------|---------------|
| 1 | A | 1 Kit |
| 2 | ZZ90032 ! 1 | 1 Shaft |
| 3 | 0650507 ! 2 | 2 Plug |
| 4 | 3818X901 ! 1 | 4 Poppet |
| 5 | 4115R305 ! 1 | 4 Axle |
| | ● 4115R505(4) | |
| 6 | 2511425 ! 5 | 1 Shim |
| 7 | 4115R306 ! 1 | 4 Rocker |
| | ● 4115R506(4) | |
| 8 | 2511425 ! 7 | 1 Shim |
| 9 | 31744123 ! 1 | 2 Spring |
| 10 | 31743108 ! 1 | 2 Spring |
| 11 | 3775E012 ! 1 | 1 Union |
| 12 | 2233022 ! 1 | 1 Screw |
| 13 | 0170151 ! 1 | 2 Ring |
| 14 | 33117434 ! 1 | 2 Lock washer |
| 15 | 2313H331 | 3 Stud |
| 16 | 2318A605 | 3 Nut |
| 17 | A | 3 Washer |
| 18 | 3142U031 ● 3142U991(8) | 8 Tappet |
| | (X) | |
| 19 | 31434307 (X) 0.4.8.1 | 8 Rod |
| 20 | 376525X1 ! 1 | 1 Spinner |
| 21 | 32114145 ! 1 | 8 Ring |
| 22 | 0576052 ! 1 | 8 Nut |

Engine

MB Series Tier 1 (Limited market) (2002-2005) - RT60 - MB75

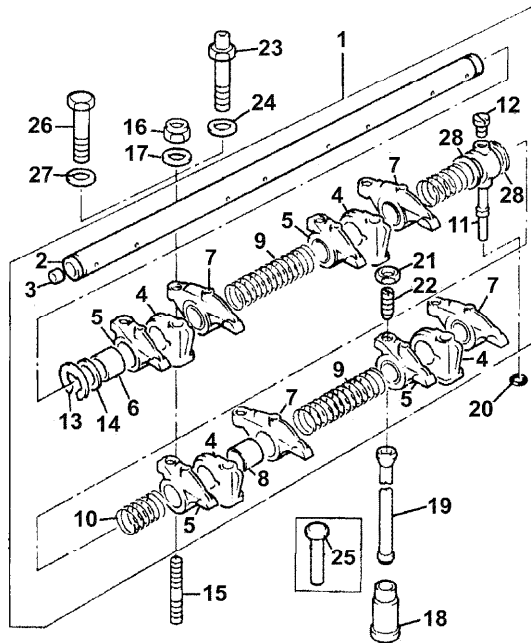
60\00001885.png

A-05
06



A0506

Rocker shaft - plate a - with blu engine



Inglese

- 23 A 1 Screw
- 24 A 1 Washer
- 25 A 1 Pin
- 26 2314J607 1 Screw
- 27 A 1 Washer
- 28 3311K015 2 Shim

! This is a component of an assembly

● Replacement

(X) Qty per tractors sold (aa.bbb.ccc.ddd) (aa) for 1,(bbb) 2-10 (ccc) 11-25 (ddd) 26-50

A To be advised

Engine

MB Series Tier 1 (Limited market) (2002-2005) - RT60 - MB75

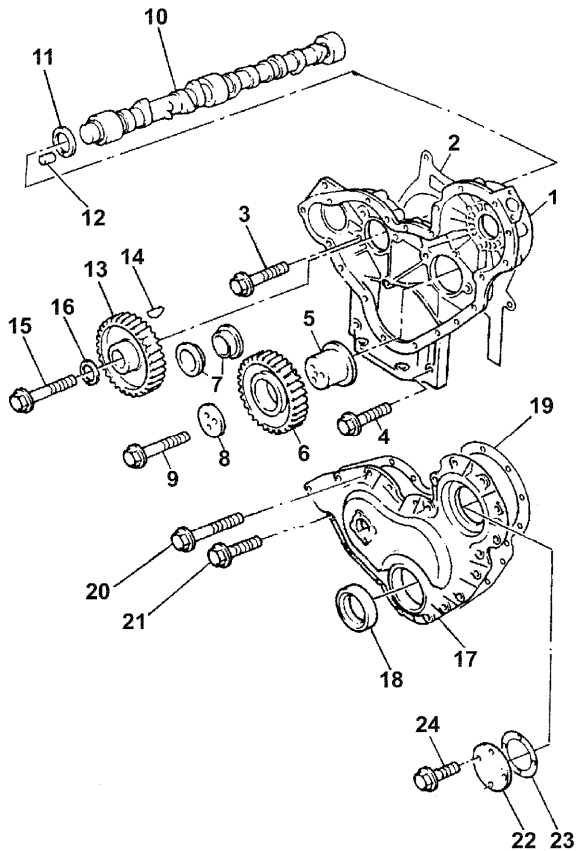
60\00001886.png

A-05
07



A0507

Timing gear and camshaft - plate b - with blu engine



| | | Inglese |
|----|------------|------------|
| 1 | 37161984 | 1 Body |
| 2 | 36814162 | 1 Gasket |
| 3 | 2314H003 | 7 Screw |
| 4 | 2314H033 | 2 Screw |
| 5 | 33426161 | 1 Collar |
| 6 | 41115023 | 1 Gear |
| 7 | 0050345 | 2 Thimble |
| 8 | 3241H009 | 1 Plate |
| 9 | 2314J010 | 3 Screw |
| 10 | 31415363 | 1 Shaft |
| 11 | 33153121 | 1 Washer |
| 12 | 2116053 | 1 Pin |
| 13 | 3117L012 | 1 Gear |
| 14 | 0500012 | 1 Key |
| 15 | 2314J606 | 1 Screw |
| 16 | 3321A003 | 1 Washer |
| 17 | 4142A087 | 1 Coperch. |
| 18 | 2418F436 | 1 Seal |
| 19 | U5MK0601 | 1 Gasket |
| 20 | 2314K161 | 4 Screw |
| 21 | 2314H033 | 14 Screw |
| 22 | 3271W003 | 1 Cover |
| 23 | 33825427 | 1 Gasket |
| | (X) 0.1.2. | |

Engine

A-05
07

Timing gear and camshaft - plate b - with blu engine

MB Series Tier 1 (Limited market) (2002-2005) - RT60 -
MB75



A0507

60\00001886.png

Inglese

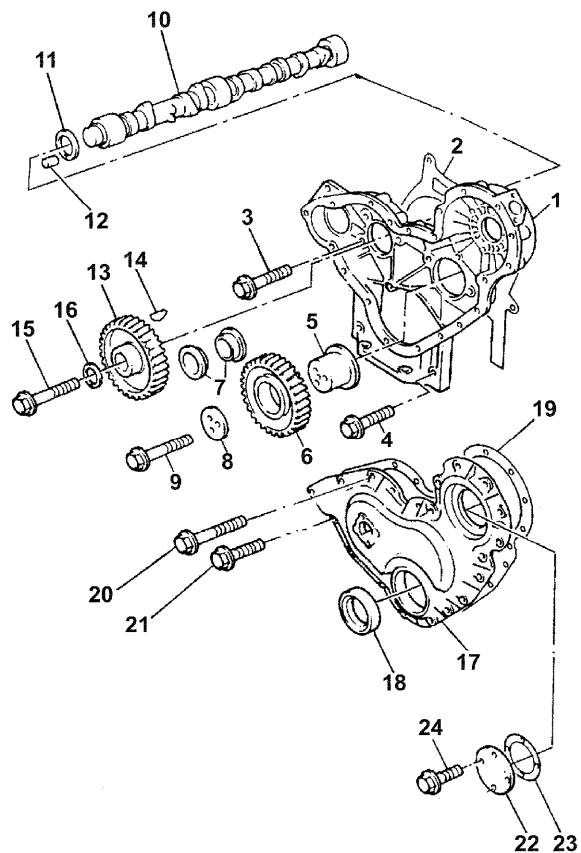
24 2314H031

4 Screw

! This is a component of an assembly

● Replacement

(X) Qty per tractors sold (aa.bbb.ccc.ddd) (aa) for 1,(bbb) 2-10 (ccc) 11-25 (ddd) 26-50



Buy Now



Our support email:

ebooklibonline@outlook.com