

Engine

MB Series Tier 1 (Limited market) (2002-2005) - RT60 - MB85

60\00001553.png

A-05
01



A0501

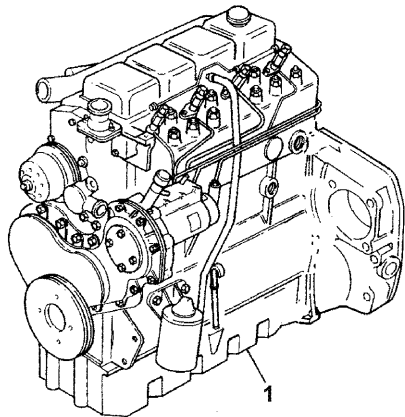
Engine assembly

Inglese

1 3655202M92 ● N.L.S.(1)
Lm 81199

1 Engine

● Replacement



Engine

MB Series Tier 1 (Limited market) (2002-2005) - RT60 - MB85

60\0000005E.png

A-05
02



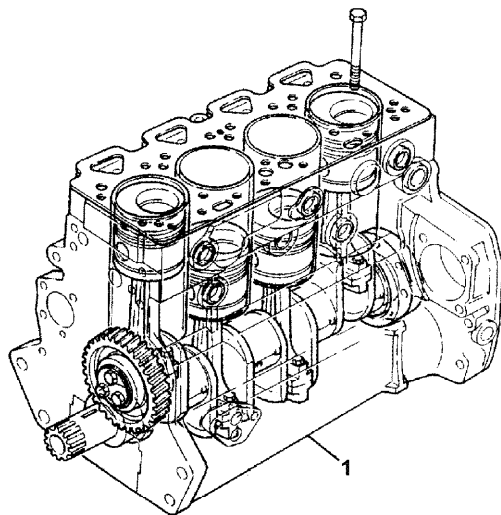
A0502

Short engine - with std (blu) engine

Inglese

- 1 LM39346 A
- A Complete with plugs

1 Engine



Engine

A-05
03

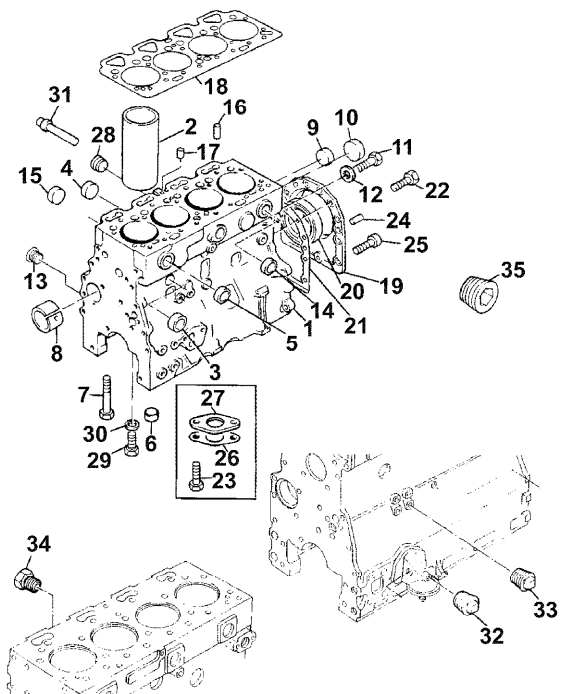
Cylinder block - plate d - with blu engine

MB Series Tier 1 (Limited market) (2002-2005) - RT60 - MB85



A0503

60\00001880.png



			Inglese
1	ZZ50293	● N.L.S.(1)	1 Cylinder block
2	3135X033	! 1	4 Liner
			A
			(X) 0.4.8.1
2	3135X034	! 1	1 Liner
			B
3	0650710	! 1	8 Plug
4	32418122	! 1	4 Plug
5	32418124		1 Plug
6	33142111	! 1	10 Sleeve
7	32166329	! 1	10 Screw
8	31134165	! 1	1 Bush
9	32416117	! 1	1 Plug
10	32416118	! 1	2 Plug
11	0650582	! 1	1 Plug
12	2415D108	! 1	1 Washer
13	3212T006		2 Universal joint
14	0650713		1 Plug
15	32416118	! 1	3 Plug
16	2116081		2 Pin
17	32417134	! 1	1 Plug
18	3681E025	● 3681E037(1)	1 Gasket
			(X)
19	4142V066		1 Flange

Engine

**A-05
03**

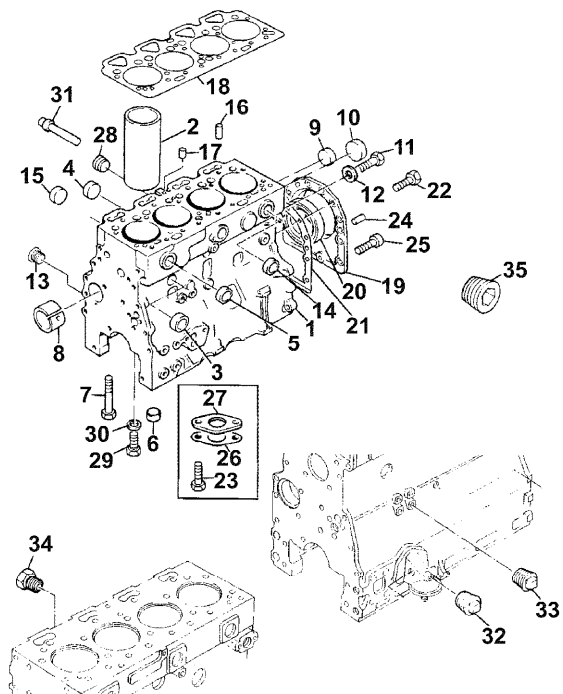
Cylinder block - plate d - with blu engine

MB Series Tier 1 (Limited market) (2002-2005) - RT60 - MB85



A0503

60\00001880.png



Inglese

20	2418F475	!	1	1 Seal
		(X)	0.1.2.	
21	3681T018			1 Gasket
22	2314H003			12 Screw
23	2314H032			2 Screw
24	0350009			2 Dowel
25	3212V002			2 Screw
26	36832144			1 Gasket
27	36171131			1 Plate
28	0650588	!	1	2 Plug
29	2182110	!	1	4 Screw
30	376616X1	!	1	4 Spacer
31	2485A204	!	1	1 Plug
		●	2485A304(1)	
32	0650594			1 Plug
33	0650594			1 Plug
34	32161114			1 Plug
35	2431154			1 Plug
!	This is a component of an assembly			
●	Replacement			
(X)	Qty per tractors sold (aa.bbb.ccc.ddd) (aa) for 1,(bbb) 2-10 (ccc) 11-25 (ddd) 26-50			
A	Press fit			
B	Slip fit			

Engine

**A-05
04**

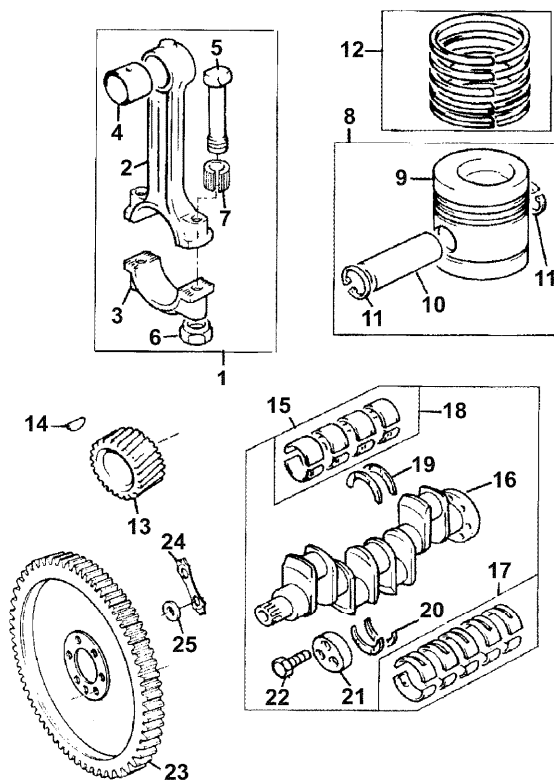
Crankshaft, pistons and connecting rods - plate b - with blu engine

MB Series Tier 1 (Limited market) (2002-2005) - RT60 -
MB85



A0504

60\00001883.png



		Inglese
1	ZZ90009	4 Conrod
2	➡ Ref.n.1 ! 1	1 Conrod
3	➡ Ref.n.1 ! 1	1 Support
4	31134123 ! 1 (X) 0.0.4.	1 Thimble
5	32762145 ! 1 (X) 0.0.4.	2 Screw
6	33221328 ! 1	2 Nut
7	2135A001 ! 1	2 Thimble
8	U5LL0031 ● U5LH0013(4) (X)	4 Kit
9	➡ Ref.n.8 ! 8	1 Piston
10	➡ Ref.n.8 ! 8 (X) 0.0.4.	1 Pin
11	0170002 ! 8	2 Ring
12	4115Y001 (X) 0.0.4.	4 Kit
13	31171681	1 Gear
14	0500012	1 Key
15	ZZ90143 ● ZZ90238(1) (X)	1 Kit
16	➡ Ref.n.15 ! 15	1 Shaft

Engine

A-05
04

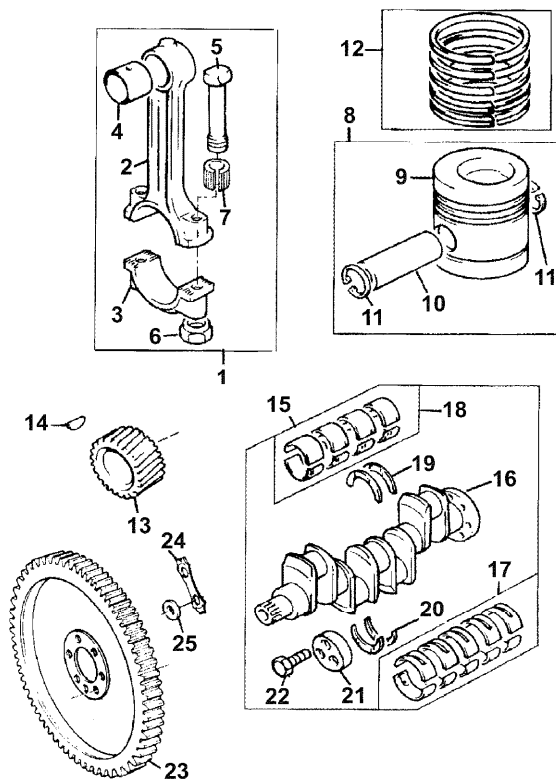
Crankshaft, pistons and connecting rods - plate b - with blu engine

MB Series Tier 1 (Limited market) (2002-2005) - RT60 - MB85



A0504

60\00001883.png



Inglese

17 81558	!	15	1 Bearing
	●	U5MB0034(1)	
	A		
17 81558A	✂	-0,010	1 Bearing
	!	15	
	●	U5MB0034A(1)	
	A		
	(X)		
17 81558B	✂	-0,020	1 Kit
	!	15	
	●	U5MB0034B(1)	
	A		
	(X)		
17 81558C	✂	0,030	1 Bearing
	!	15	
	●	U5MB0034C(1)	
	A		
	(X)		
18 85042	!	15	1 Kit
	A		
	(X)	0.0.1.	
18 85042A	✂	-0,010	1 Kit
	!	15	
	●	U5ME0034A(1)	
	A		

Engine

A-05
04

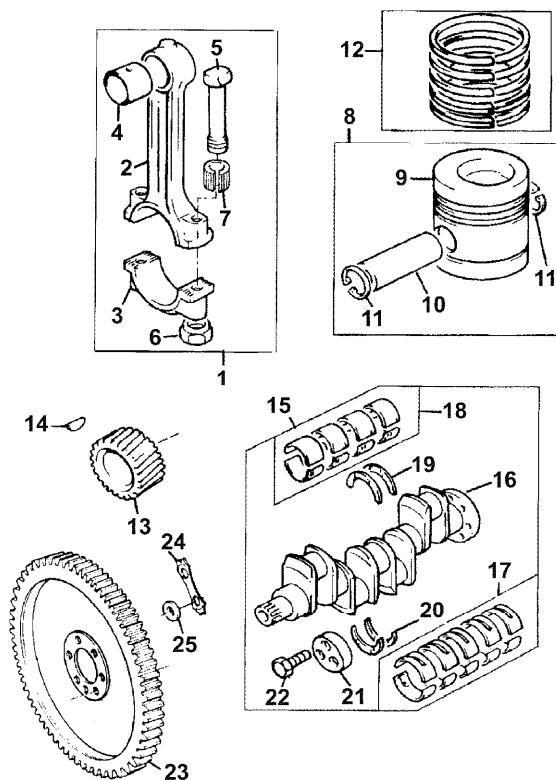
Crankshaft, pistons and connecting rods - plate b - with blu engine

MB Series Tier 1 (Limited market) (2002-2005) - RT60 - MB85



A0504

60\00001883.png



Inglese

18	85042B	✘	-0,020	1	Kit
		!	15		
		●	U5ME0034B(1)		
		A			
18	85042C	✘	-0,030	1	Kit
		!	15		
		A			
19	31137312	✘	+0,007	1	Ring
		!	15		
19	31137551	!	15	2	Washer
		(X)	0.0.2.		
20	31137322	✘	+0,007	1	Ring
		!	15		
20	31137561	!	15	2	Washer
		(X)	0.0.2.		
21		!	15	1	Ring
			91374013		
22			91374013	3	Screw
23	3552228M1			1	Crownwheel
24	0921062			3	Plate
25	33117127			6	Washer
!	This is a component of an assembly				
🔧	Not serviced, order				
✘	Shim				
●	Replacement				
(X)	Qty per tractors sold (aa.bbb.ccc.ddd) (aa) for 1,(bbb) 2-10 (ccc) 11-25 (ddd) 26-50				
A	Ended				

Engine

A-05
05

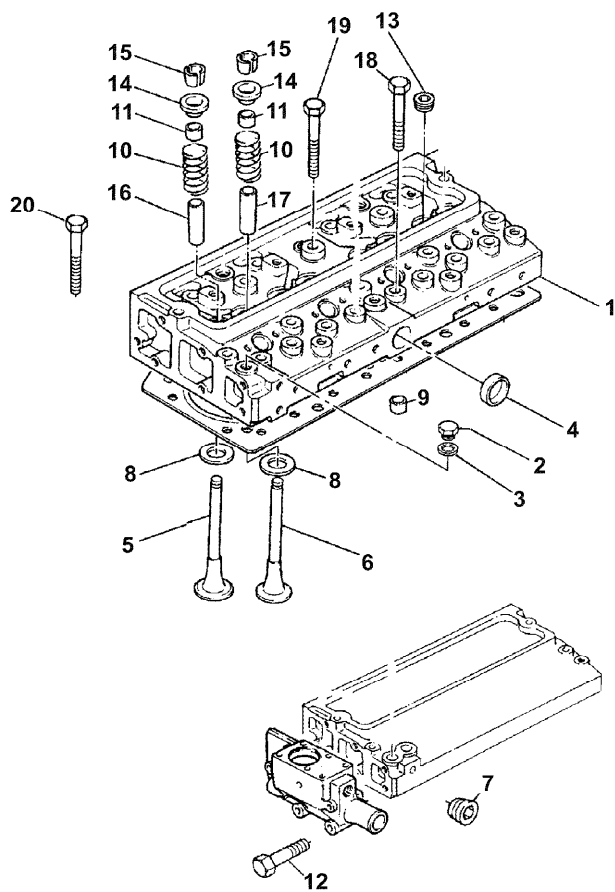
Cylinder head - plate c - with blu engine

MB Series Tier 1 (Limited market) (2002-2005) - RT60 - MB85



A0505

60\000030.254.png



		Inglese	
1	ZZ80202	● ZZ80215(1)	1 Kit
		A	
1	ZZ80215		1 Kit
2	0650203	! 1	1 Plug
3	2411157	! 1	1 Washer
4	0650710	! 1	1 Plug
5	3142L051	! 1	4 Valve
		(X) 0.0.4.	
6	3142A051	! 1	4 Valve
		(X) 0.0.4.	
7	2431154		1 Plug
8	33415118	! 1	8 Washer
		(X) 0.0.4.	
9	32417121	! 1	4 Plug
10	3174P405	! 1	8 Spring
		(X) 0.0.4.	
11	33817117	! 1	8 Seal
		(X) 0.0.4.	
12	2314J010		1 Screw
13	0650586	! 1	4 Plug
14	3342T007	! 1	8 Plug
		(X) 0.0.4.	
15	33173108	! 1	16 Cotter
		A	
		(X) 0.0.4.	

Engine

**A-05
05**

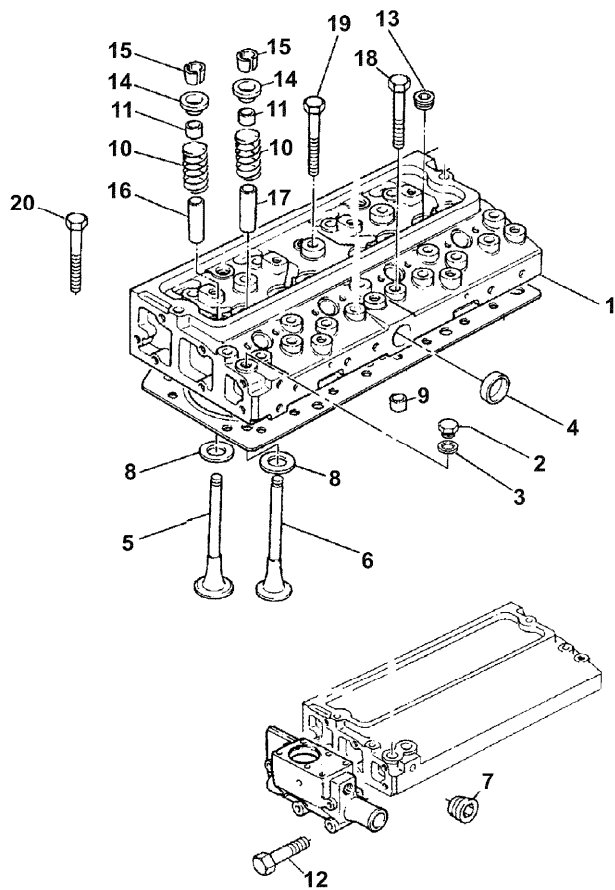
Cylinder head - plate c - with blu engine

MB Series Tier 1 (Limited market) (2002-2005) - RT60 - MB85



A0505

60\000030.254.png



Inglese

16	3343F041	!	1	4	Guide
		(X)	0.0.4.		
17	3343J021	!	1	4	Guide
		(X)	0.0.4.		
18	32166219			8	Screw
19	32166221			12	Screw
20	32166222			2	Screw
	!	This is a component of an assembly			
	●	Replacement			
	(X)	Qty per tractors sold (aa.bbb.ccc.ddd) (aa) for 1,(bbb) 2-10 (ccc) 11-25 (ddd) 26-50			
	A	Serviced in pair			

Engine

MB Series Tier 1 (Limited market) (2002-2005) - RT60 - MB85

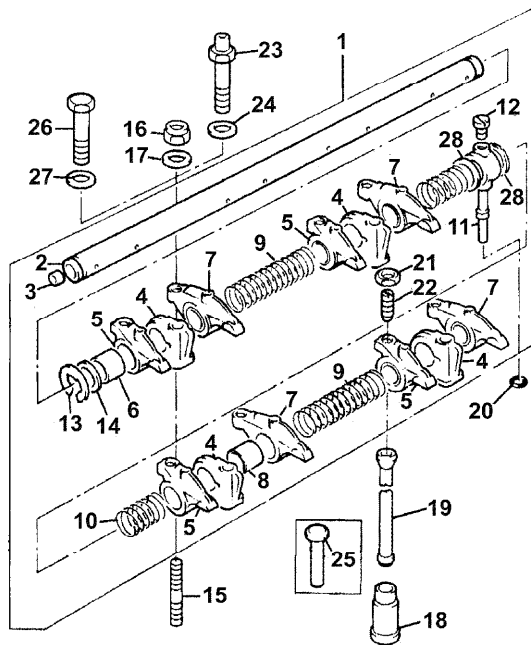
60\00001885.png

A-05
06



A0506

Rocker shaft - plate a - with blu engine



		Inglese
1	A	1 Kit
2	ZZ90032 ! 1	1 Shaft
3	0650507 ! 2	2 Plug
4	3818X901 ! 1	4 Poppet
5	4115R305 ! 1	4 Axle
	● 4115R505(4)	
6	2511425 ! 5	1 Shim
7	4115R306 ! 1	4 Rocker
	● 4115R506(4)	
8	2511425 ! 7	1 Shim
9	31744123 ! 1	2 Spring
10	31743108 ! 1	2 Spring
11	3775E012 ! 1	1 Union
12	2233022 ! 1	1 Screw
13	0170151 ! 1	2 Ring
14	33117434 ! 1	2 Lock washer
15	2313H331	3 Stud
16	2318A605	3 Nut
17	A	3 Washer
18	3142U031 ● 3142U991(8)	8 Tappet
	(X)	
19	31434307 (X) 0.4.8.1	8 Rod
20	376525X1 ! 1	1 Spinner
21	32114145 ! 1	8 Ring
22	0576052 ! 1	8 Nut

Engine

A-05
06

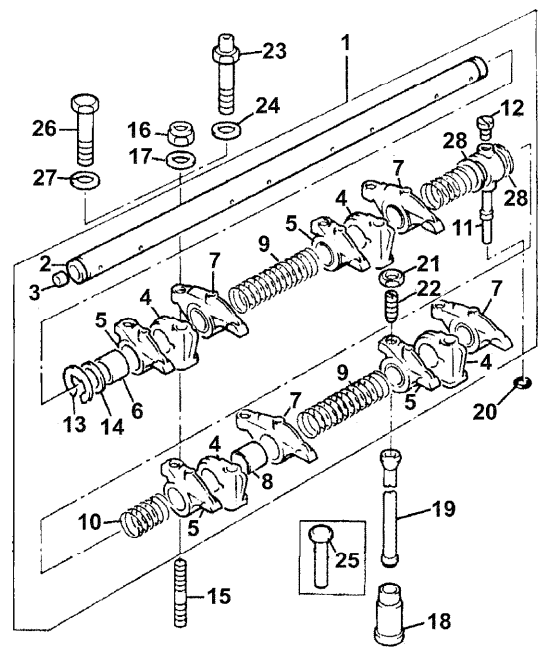
Rocker shaft - plate a - with blu engine

MB Series Tier 1 (Limited market) (2002-2005) - RT60 - MB85



A0506

60\00001885.png



Inglese

23	A	1	Screw
24	A	1	Washer
25	A	1	Pin
26	2314J607	1	Screw
27	A	1	Washer
28	3311K015	! 1	2 Shim
!	This is a component of an assembly		
●	Replacement		
(X)	Qty per tractors sold (aa.bbb.ccc.ddd) (aa) for 1,(bbb) 2-10 (ccc) 11-25 (ddd) 26-50		
A	To be advised		

Engine

MB Series Tier 1 (Limited market) (2002-2005) - RT60 - MB85

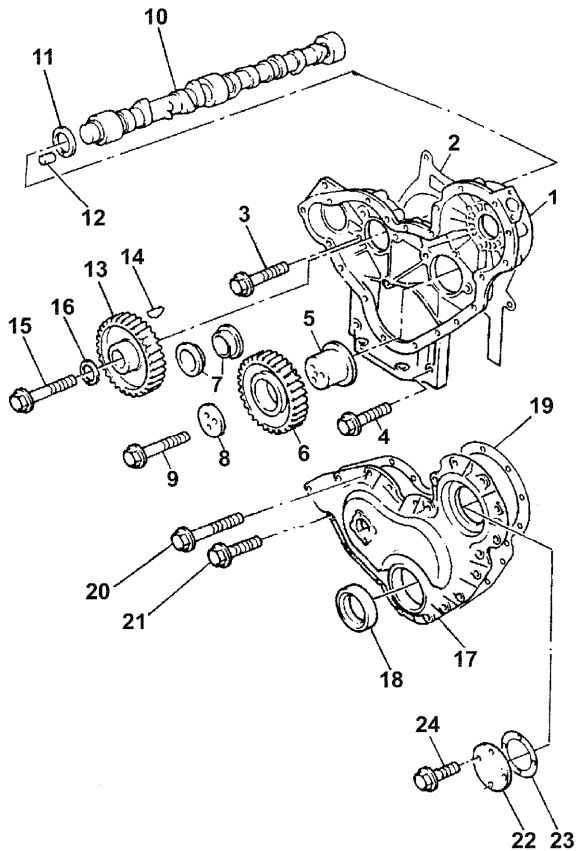
60\00001886.png

A-05
07



A0507

Timing gear and camshaft - plate b - with blu engine



		Inglese
1	37161984	1 Body
2	36814163	1 Gasket
	● 36814162(1)	
	(X)	
3	2314H003	7 Screw
4	2314H033	2 Screw
5	33426161	1 Collar
6	41115023	1 Gear
7	0050345	! 6
		2 Thimble
8	3241H009	● 2314J011(3), 3272
		1 Plate
9	2314J010	3 Screw
10	31415363	● 3141F211(1)
		1 Shaft
11	33153121	1 Washer
12	2116053	1 Pin
13	3117L012	1 Gear
14	0500012	1 Key
15	2314J606	1 Screw
16	3321A003	1 Washer
17	4142A087	● 2418F437(1), 3716
		1 Coperch.
18	2418F436	! 17
		1 Seal
		● 2418F437(1)
		(X)
19	36813155	● U5MK0601(1)
		1 Gasket
		(X)
20	2314K161	4 Screw
21	2314H033	14 Screw

Engine

A-05
07

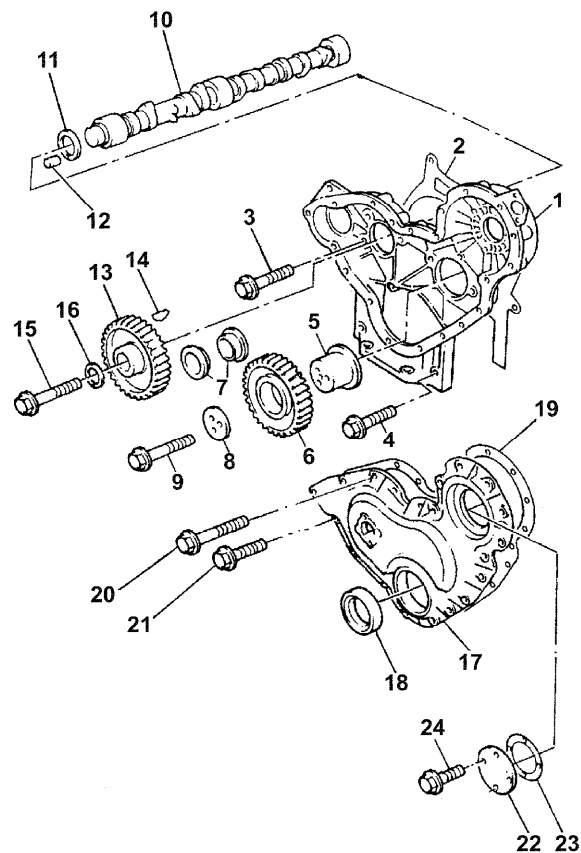
Timing gear and camshaft - plate b - with blu engine

MB Series Tier 1 (Limited market) (2002-2005) - RT60 - MB85



A0507

60\00001886.png



Inglese

22 3271W003

1 Cover

23 33825427

1 Gasket

24 2314H031

4 Screw

! This is a component of an assembly

● Replacement

(X) Qty per tractors sold (aa.bbb.ccc.ddd) (aa) for 1,(bbb) 2-10 (ccc) 11-25 (ddd) 26-50

Engine

A-05
08

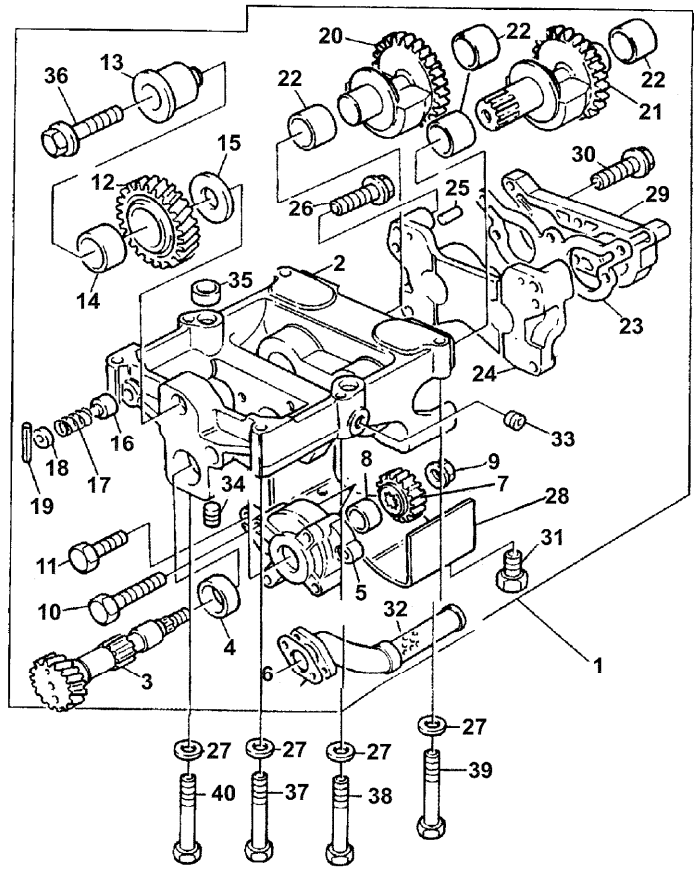
Balancer unit - plate a - with blu engine

MB Series Tier 1 (Limited market) (2002-2005) - RT60 - MB85



A0508

60\000030.255.png



		Inglese	
1	4111K064	● 4111K091(1) (X)	1 Balancer
2	4111K059	! 1	1 Frame
3	3117V003	● 4111K091(1) ! 1	1 Shaft
4	2551A009	! 1	1 Bearing
5	4132F041	! 1	1 Pump
6		(X) 0.0.1. ⊕ A-05 10 19	1 Gasket
7	3116W001	! 1	1 Gear
8	2551A014	! 1	1 Bearing
9	33531136	! 1	1 Nut
10	2314H012	! 1	2 Screw
11	2314H004	! 1	1 Screw
12	3117C071	! 1	1 Gear
13	33451804	! 1	1 Hub
14	2551A201	! 1	1 Bearing
15	3321A002	! 1	1 Washer
16	3272E005	! 1	1 Piston
17	3174D004	! 1	1 Spring
18	3342A605	! 1	1 Plug
19	2116A056	! 1	1 Pin
20	3116K004	! 1	1 Weight
		(X) 0.0.1.	

Buy Now



Our support email:

ebooklibonline@outlook.com