

Engine

V Series Cab Tier 2 (2003-2005) - RP02 - V75

REX Vigneti CAB\000030.400.png

A-05
01

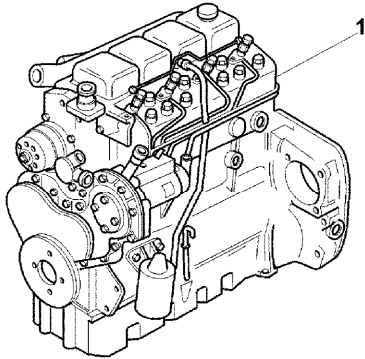


A0501

Engine assembly - "1004-42"green engine

Inglese

1 3675502M93 Perkins - re38102 1 Engine



Engine

V Series Cab Tier 2 (2003-2005) - RP02 - V75

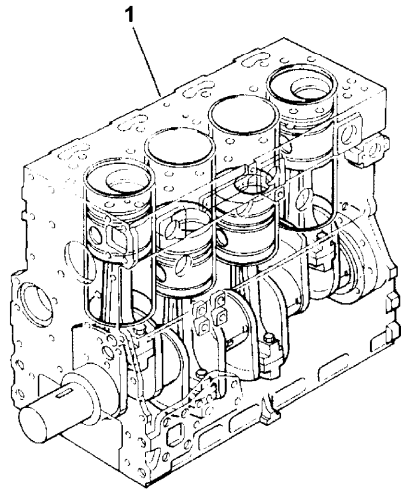
REX Vigneti CAB\000030.871.png

A-05
015



A05015

Short engine



- Inglese
- | | | | | | |
|---|---------|---|----------------------------------|---|--------------|
| 1 | RE40002 | ➔ | U491476 t | 1 | Engine |
| | | ● | 3115A141(1),
32186146(3), RE4 | | |
| 1 | RE40021 | ➔ | U491477 t | 1 | Short engine |
- ➔ From serial or engine number
➔ Up to serial or engine number
● Replacement

Engine

V Series Cab Tier 2 (2003-2005) - RP02 - V75

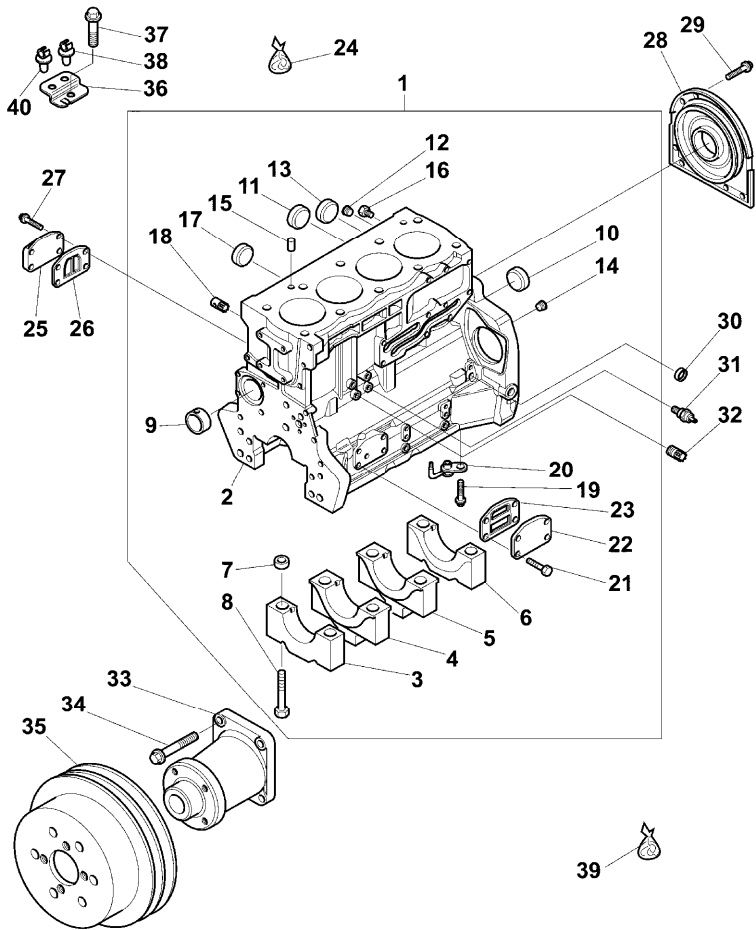
REX Vigneti CAB\000030.401.png

A-05
02



A0502

Cylinder block



		Inglese
1	ZZ50312	● ZZ50325(1) 1 Kit
2		T-A 30:50 ! 1 1 Cylinder
3		➤ Zz50312 ! 1 1 Bearing
4		➤ Zz50312 ! 1 1 Bearing
5		➤ Zz50312 ! 1 1 Bearing
6		➤ Zz50312 ! 1 1 Bearing
7	33142111	! 1 8 Manicott
8	32166329	! 1 8 Screw
9	3112D071	! 1 1 Bush
10	3241A012	● 3112D075(1) ! 1 1 Plug
11	3241A011	! 1 2 Plug
12	0650588	! 1 1 Plug
13	0650710	! 1 1 Plug
14	3212P008	! 1 1 Plug
15	3244A009	! 1 2 Dowel
16	32141316	! 1 2 Plug
17	2485A108	! 1 1 Plug
18	3212V006	! 1 1 Plug

Engine

V Series Cab Tier 2 (2003-2005) - RP02 - V75

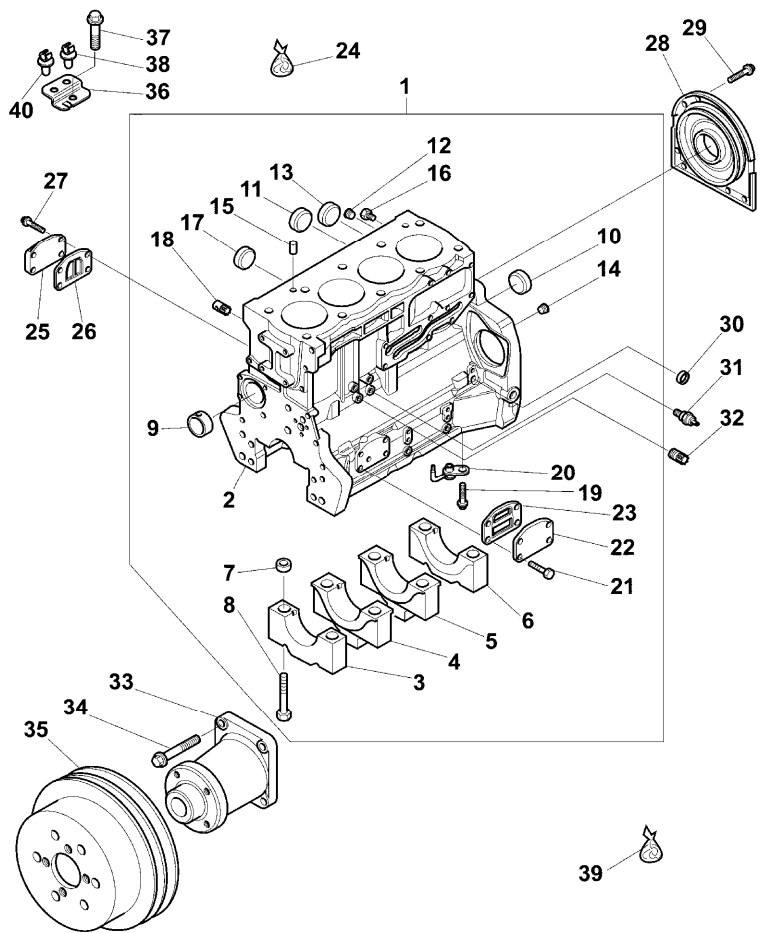
REX Vigneti CAB\000030.401.png

A-05
02



A0502

Cylinder block



		Inglese	
19	2314F001	! 1	4 Screw
20	2113A001	! 1	4 Atomiser
		● 2113A003(4)	
21	2314H033	! 1	4 Screw
22	3623A009	! 1	1 Plate
		T-A 0:50	
23	3688A039	! 1	1 Gasket
		T-A 0:50	
24		👁 A-05 16 2	1 Kit
25	3753A071	🔧 3753a081	1 Coperch.
25	3753A081	🔧 3753a071	1 Coperch.
26	3688A041	T-A 0:50	1 Ring
27	2314H034		4 Screw
28	2418F704	T-A 11:0	1 Housing
29	3211C002		10 Screw
30	2485A109		1 Plug
31	2848062	● 4172E054(1)	1 Switch
		T-A 0:25	
32	3212V005		1 Plug
33	4113K005	T-A 2:0	1 Housing
34	2314J005		4 Screw
35	3115C111	T-A 2:0	1 Pulley
36	3651A016	T-A 2:0	1 Support
37	2314H002		1 Screw
38	2481D556	● 2481D558(1)	1 Clip

Engine

V Series Cab Tier 2 (2003-2005) - RP02 - V75

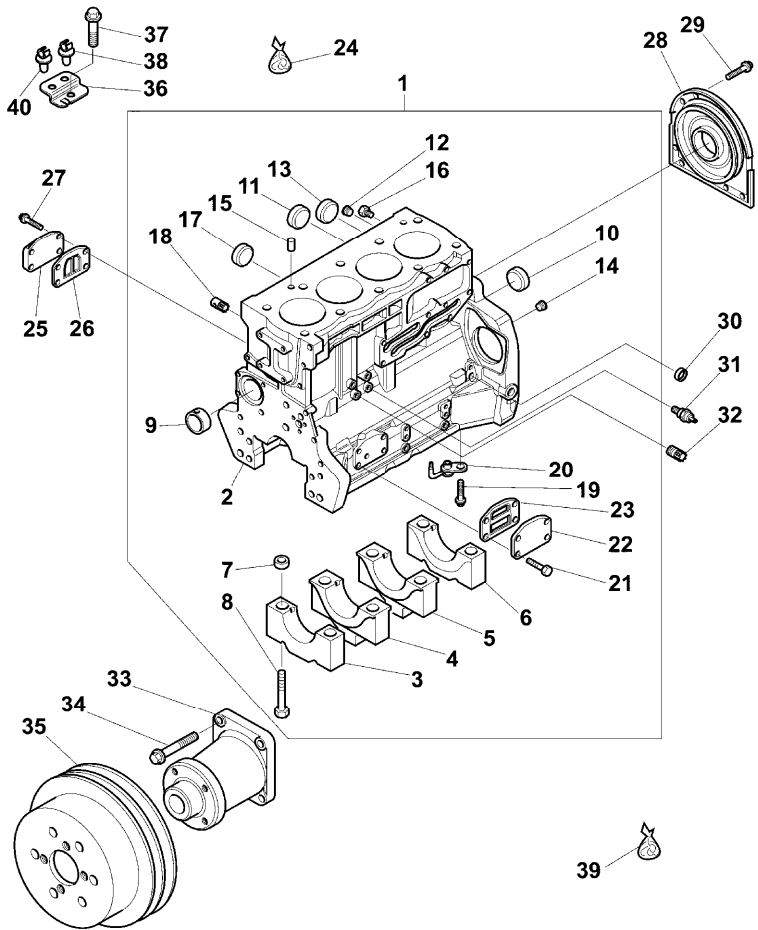
A-05
02



A0502

Cylinder block

REX Vigneti CAB\000030.401.png



Inglese

- 39 A-05 16 1 1 Kit
- 40 2481D558 1 Clip
- ! This is a component of an assembly
- See page - reference number
- Alternative
- Not serviced, order
- Replacement
- T-A Replacement

Engine

V Series Cab Tier 2 (2003-2005) - RP02 - V75

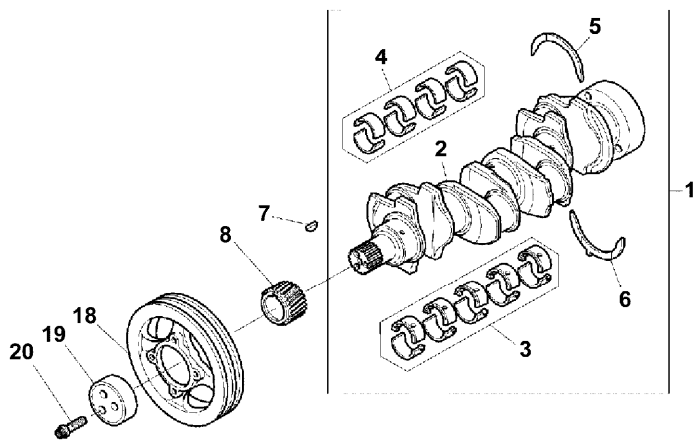
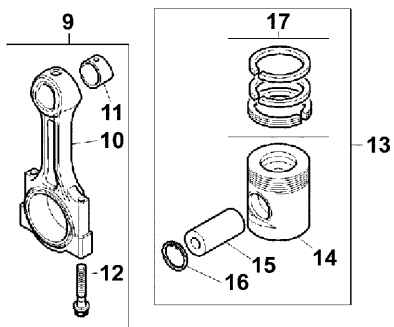
REX Vigneti CAB\000030.402.png

A-05
03



A0503

Crankshaft, pistons and connecting rods



Inglese

1	ZZ90224	➡	U491476 t	1	Kit
		●	ZZ90239(1)		
		T-A	18:50		
1	ZZ90237	➡	U491477 t	1	Shaft
2		!	1	1	Crankshaft
		➡	Zz90224		
3	U5MB0018	!	1	1	Kit
		●	U5MB0033(1)		
		T-A	18:50		
3	U5MB0018A	✂	(+).010"	1	Kit
		!	1		
		●	U5MB0033A(1)		
		T-A	18:50		
3	U5MB0018C	✂	(+).030"	1	Kit
		!	1		
		●	N.L.A.(1)		
		T-A	18:50		
4	U5ME0013	!	1	1	Kit
		●	U5ME0034(1)		
		T-A	18:50		
4	U5ME0013A	✂	(+).010"	1	Kit
		!	1		
		●	U5ME0034A(1)		
		T-A	18:50		

Engine

V Series Cab Tier 2 (2003-2005) - RP02 - V75

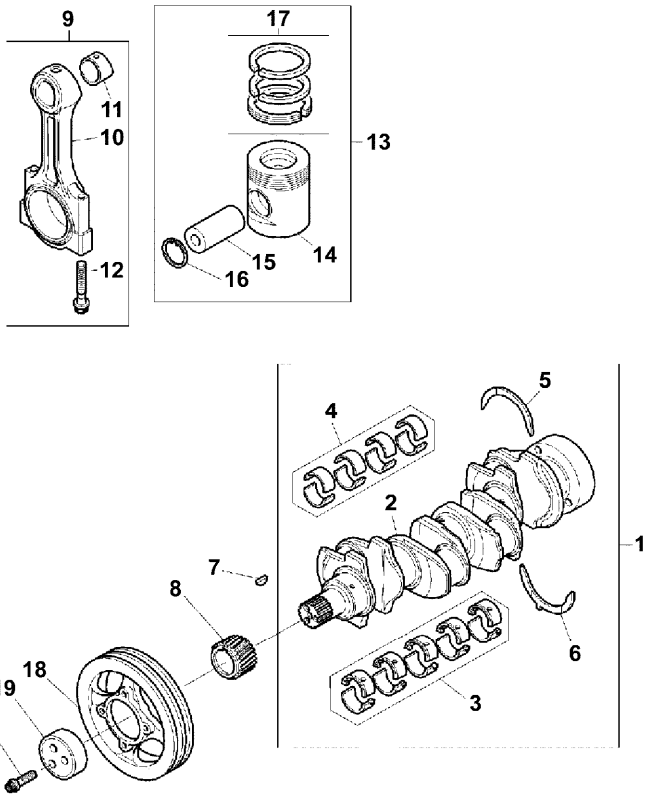
REX Vigneti CAB\000030.402.png

**A-05
03**



A0503

Crankshaft, pistons and connecting rods



Inglese

4	U5ME0013B	✂ (+)0.020"	1	Kit
		!	1	
		● U5ME0034B(1)		
		T-A 18:50		
4	U5ME0013C	✂ (+)0.030"	1	Kit
		!	1	
		● U5ME0034C(1)		
		T-A 18:50		
5	31137312	✂ (+)0.007"	2	Ring
		!	1	
		T-A 18:50		
5	31137551	!	1	2 Washer
		T-A 18:50		
6	31137322	✂ (+)0.007"	2	Ring
		!	1	
		T-A 18:50		
6	31137561	!	1	2 Washer
		T-A 18:50		
7	0500012		1	Key
8	3117C221	T-A 13:0	1	Gear
9	4115C311	➡ U491477 t	4	Kit
		D		
		T-A 17:0		
9	4115C312	➡ U491477 t	4	Kit
		E		
		T-A 17:0		

Engine

V Series Cab Tier 2 (2003-2005) - RP02 - V75

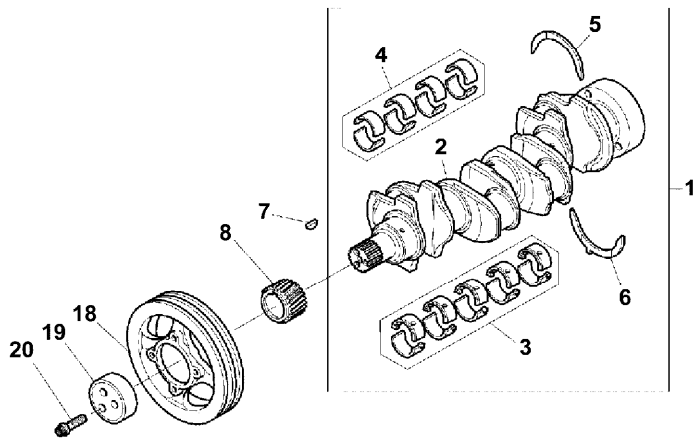
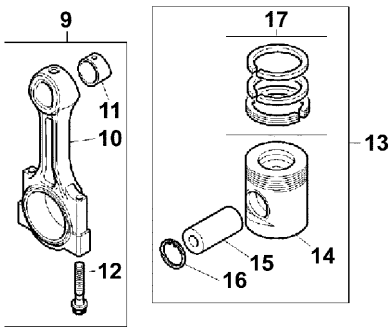
REX Vigneti CAB\000030.402.png

A-05
03



A0503

Crankshaft, pistons and connecting rods



		Inglese
9	4115C313	➡ U491477 t 4 Kit
		F
9	4115C314	➡ U491477 t 4 Kit
		C
		T-A 17:0
9	4115C315	➡ U491477 t 4 Kit
		B
		T-A 17:0
9	4115C316	➡ U491477 t 4 Kit
		A
		T-A 17:0
9	4115C361	➡ U491478 t 4 Conrod
		D
9	4115C362	➡ U491478 t 4 Conrod
		E
9	4115C363	➡ U491478 t 4 Conrod
		F
9	4115C364	➡ U491478 t 4 Conrod
		C
9	4115C365	➡ U491478 t 4 Conrod
		B
9	4115C366	➡ U491478 t 4 Conrod
		A
10	!	9 1 Conrod
	➡	Ref.n.9

Engine

V Series Cab Tier 2 (2003-2005) - RP02 - V75

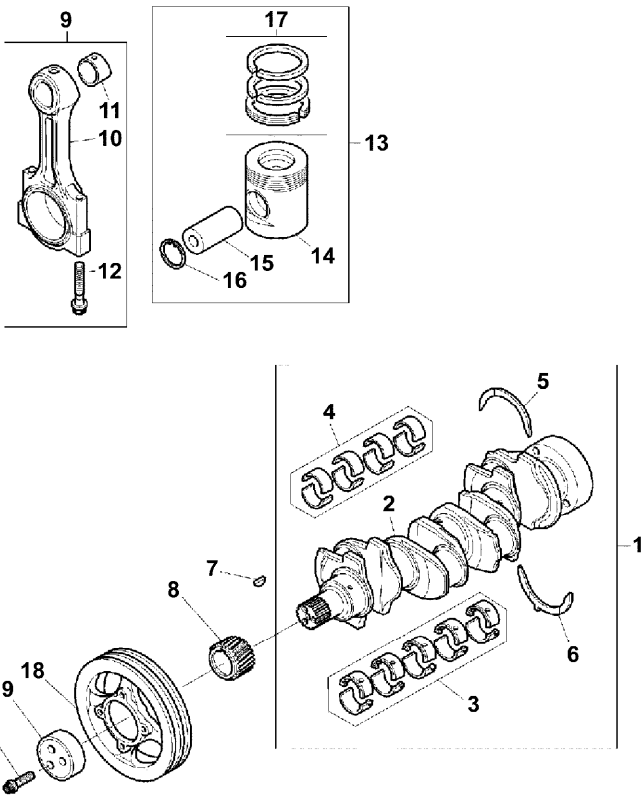
REX Vigneti CAB\000030.402.png

A-05
03



A0503

Crankshaft, pistons and connecting rods



		Inglese			
11	3112A005	!	9	1	Bush
		T-A	17:0		
12	3212V003	!	9	2	Screw
13	4115P011	T-A	17:0	4	Kit
14		!	13	1	Piston
		➡	4115p011		
15		!	13	1	Pin
		➡	4115p011		
16	2721332	!	13	2	Ring
17	UPRK0003	!	13	1	Kit
		T-A	17:0		
18	3115T051	T-A	2:0	1	Pulley
19	3241N001	T-A	2:0	1	Block
20	32186137			3	Screw
!	This is a component of an assembly				
➡	From serial or engine number				
➡	Up to serial or engine number				
➡	Not serviced, order				
▲	Shim				
●	Replacement				
T-A	Replacement				
A	Blue				
B	Purple				
C	Green				
D	Red				
E	Orange				
F	White				

Engine

V Series Cab Tier 2 (2003-2005) - RP02 - V75

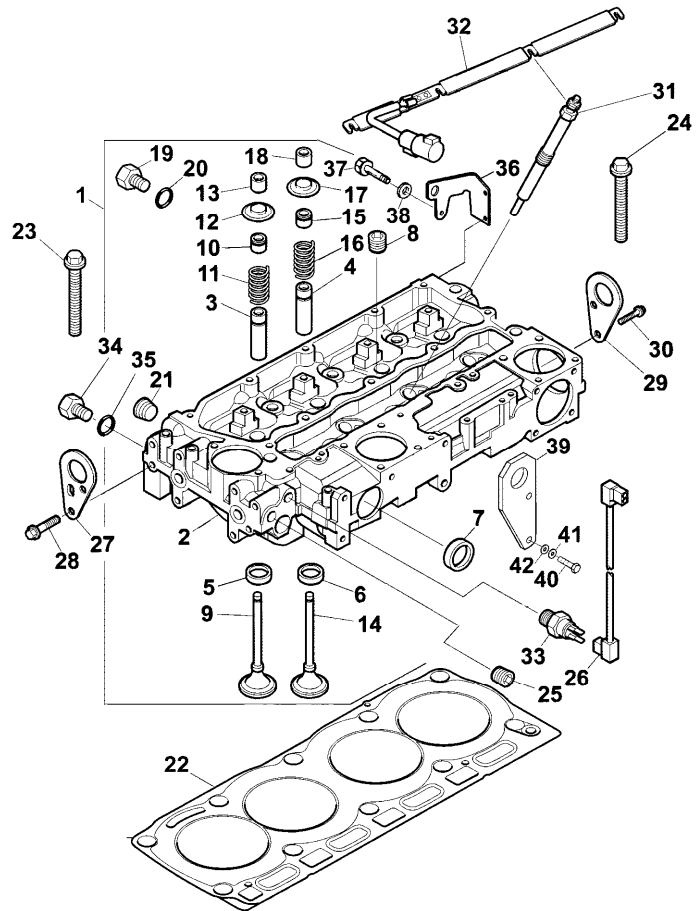
REX Vigneti CAB\000030.472.png

A-05
04



A0504

Cylinder head



		Inglese	
1	ZZ80268	T-A 4:0	1 Kit
		T-B 7:0	
2	!	1	1 Head
		Zz80268	
3	3313E021	!	4 Guide
		3313A012(4)	
		T-A 7:50	
4	3313A012	!	4 Guide
		T-A 7:50	
5	3314A151	!	4 Insert
		3314A241(4)	
		T-A 7:50	
6	3314A161	!	4 Insert
		3314A231(4)	
		T-A 7:50	
7	32416117	!	2 Plug
8	0650588	!	4 Plug
9	3142H071	!	4 Valve
		T-A 7:50	
10	2418M514	!	4 Ring
		N.L.S.(4)	
		T-A 3:0	
11	3174A016	!	4 Spring
		T-A 3:0	
12	3342A011	!	4 Cover
		T-A 3:0	

Engine

V Series Cab Tier 2 (2003-2005) - RP02 - V75

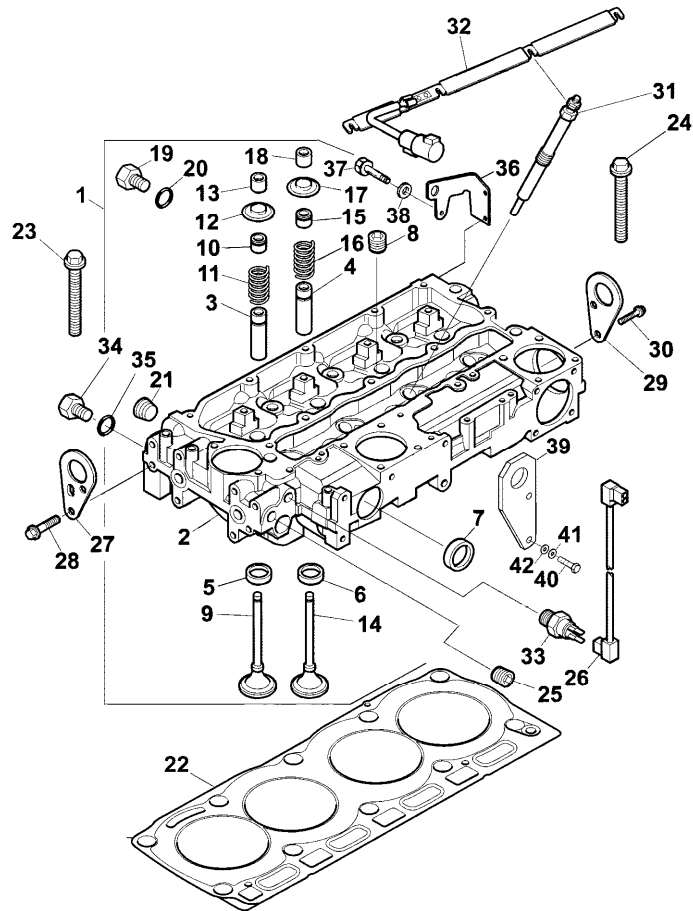
REX Vigneti CAB\000030.472.png

**A-05
04**



A0504

Cylinder head



			Inglese
13	3142W004	! 1	8 Cotter
		T-A 3:0	
14	3142A151	! 1	4 Valve
		T-A 7:50	
15	2418M514	! 1	4 Ring
		● N.L.S.(4)	
		T-A 3:0	
16	3174A016	! 1	4 Spring
		T-A 3:0	
17	3342A011	! 1	4 Cover
		T-A 3:0	
18	3142W004	! 1	8 Cotter
		T-A 3:0	
19	3278A006	! 1	1 Plug
20	2415H003	! 1	1 Ring
21	2431154	! 1	1 Plug
22	3681E044	⌋ 3681e046	1 Gasket
		● N.L.S.(1)	
		T-A 4:0	
22	3681E046	⌋ 3681e044	1 Gasket
		● 3681E051(1)	
		T-A 4:0	
23	3218A011		7 Screw
24	3218A012		3 Screw
25	2431154		1 Plug

Engine

V Series Cab Tier 2 (2003-2005) - RP02 - V75

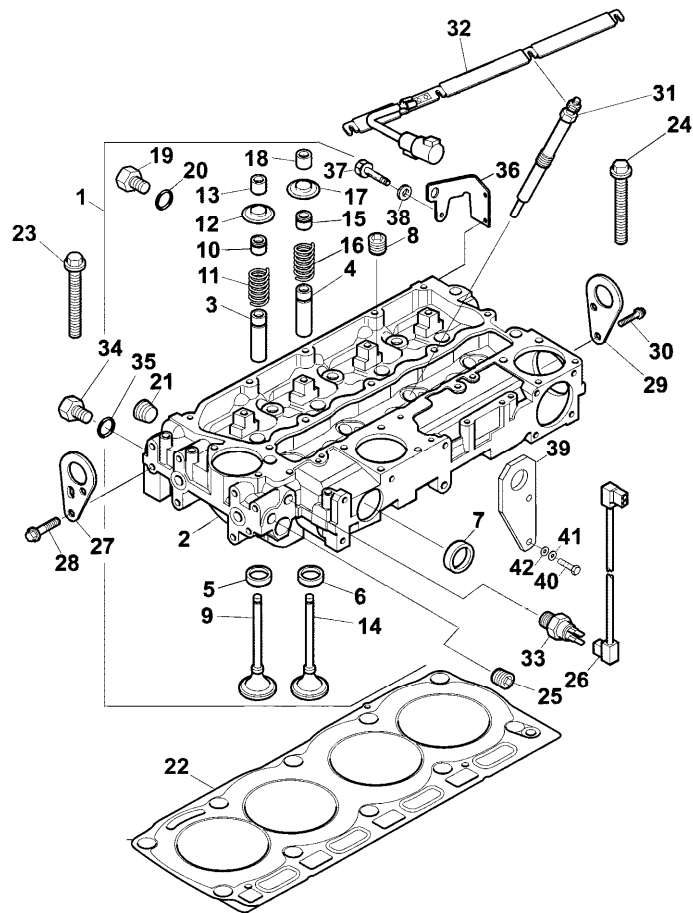
REX Vigneti CAB\000030.472.png

**A-05
04**



A0504

Cylinder head



		Inglese
26	3161C018	● 3161C017(1) 1 Cable
		T-A 0:25
27	3617A015	1 Stirrup
28	2314J002	2 Screw
29	3617A015	T-A 3:0 1 Stirrup
30	2314J002	2 Screw
31	2666A016	4 Spark plug
32	3161C015	● T409642(1) 1 Bar
33	2848A127	A 1 Sensor
		T-A 0:25
34	3278A006	1 Plug
35	2415H003	1 Ring
36	3678635M1	1 Stirrup
37	3009291X1	M10x20 1 Screw
38	1440314X1	1 Lock & seal
39	3681221M1	1 Plate
40	339123X1	● 000160434210(2) 2 Screw
		M8x20
41	391039X1	2 Washer
42	339374X1	● Substitutions error 2 Lock & seal
! This is a component of an assembly		
✂ Alternative		
🚫 Not serviced, order		
● Replacement		
T-A Replacement		
T-B Overhaul		

Engine

A-05
04

Cylinder head

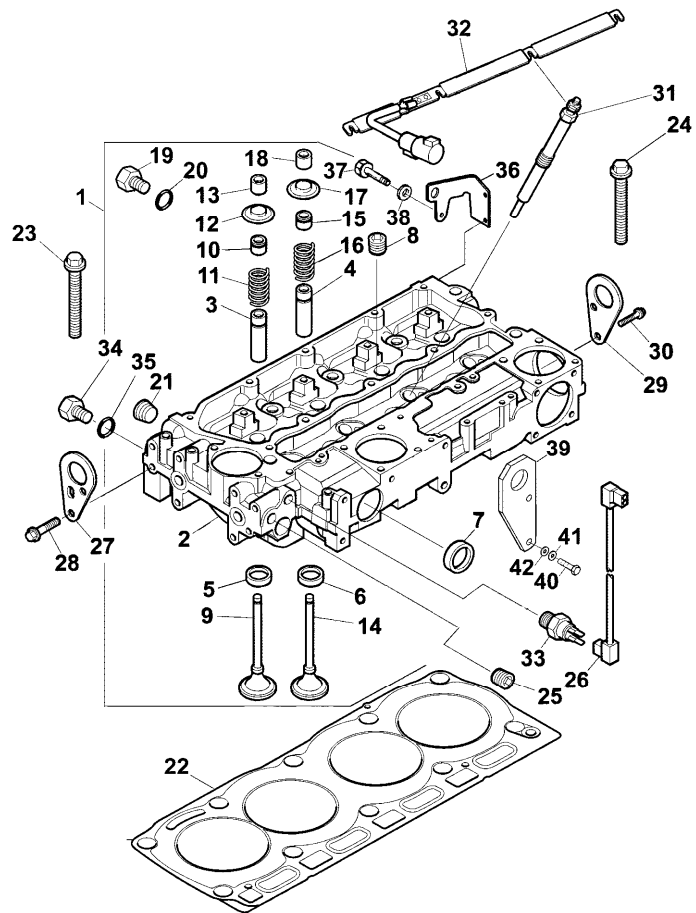
V Series Cab Tier 2 (2003-2005) - RP02 - V75



A0504

REX Vigneti CAB\000030.472.png

A Engine water temperature



Engine

V Series Cab Tier 2 (2003-2005) - RP02 - V75

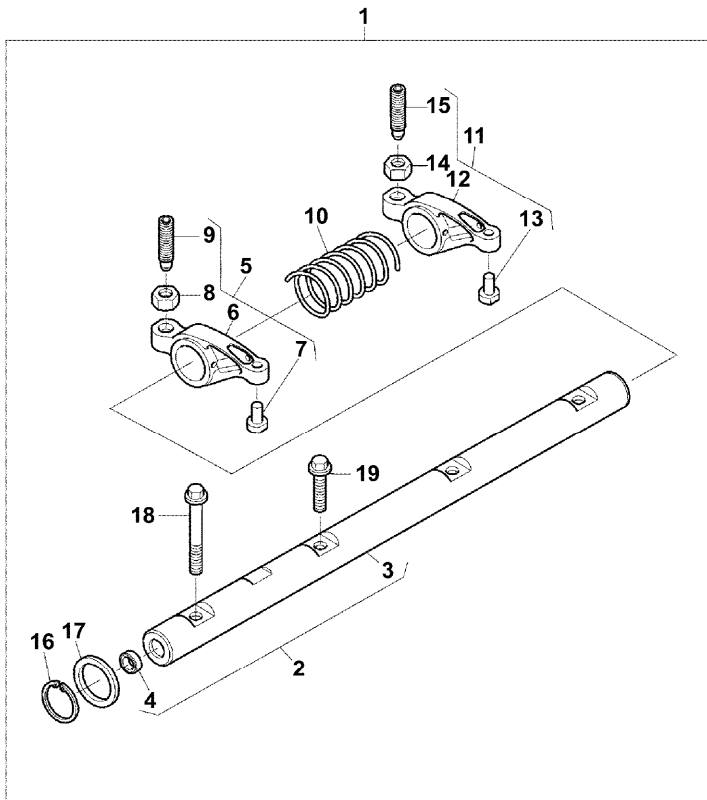
REX Vigneti CAB\000030.403.png

A-05
05



A0505

Rocker shaft



				Inglese
1	4115R612	T-A 4:0		1 Shaft
2	4115R703	! 1		1 Shaft
		T-A 4:0		
3		! 2		1 Shaft
		➡ 4115r703		
4	2485A104	! 2		2 Plug
		T-A 4:0		
5	4115R314	! 1		3 Rocker
		T-A 4:0		
6		! 5		1 Rocker
		➡ 4115r314		
7		! 5		1 Shim
		➡ 4115r314		
8	0576052	! 5		1 Nut
9	32114145	! 5		1 Screw
10	3174A015	! 1		2 Spring
		T-A 4:0		
11	4115R315	! 1		3 Rocker
		T-A 4:0		
12		! 11		1 Rocker
		➡ 4115r315		
13		! 11		1 Shim
		➡ 4115r315		
14	0576052	! 11		1 Nut
15	32114145	! 11		1 Screw
16	2722A022	! 1		2 Ring

Buy Now



Our support email:

ebooklibonline@outlook.com