

Engine

V Series Cab Tier 2 (2003-2005) - RP02 - V85

REX Vigneti CAB\000030.400.png

A-05
01

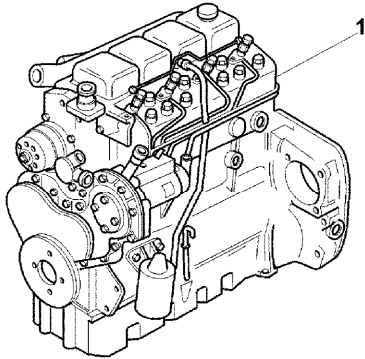


A0501

Engine assembly - "1004-42"green engine

1 3668835M93

Inglese
1 Engine



Engine

V Series Cab Tier 2 (2003-2005) - RP02 - V85

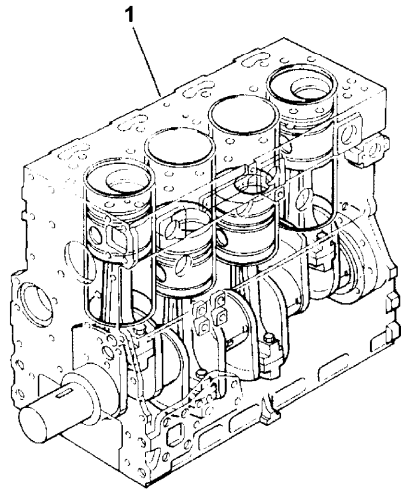
REX Vigneti CAB\000030.871.png

**A-05
015**



A05015

Short engine



- Inglese**
- | | | | | | |
|---|---------|---|----------------------------------|---|--------------|
| 1 | RE40002 | ➔ | U491476 t | 1 | Engine |
| | | ● | 3115A141(1),
32186146(3), RE4 | | |
| 1 | RE40021 | ➔ | U491477 t | 1 | Short engine |
- ➔ From serial or engine number
➔ Up to serial or engine number
● Replacement

Engine

V Series Cab Tier 2 (2003-2005) - RP02 - V85

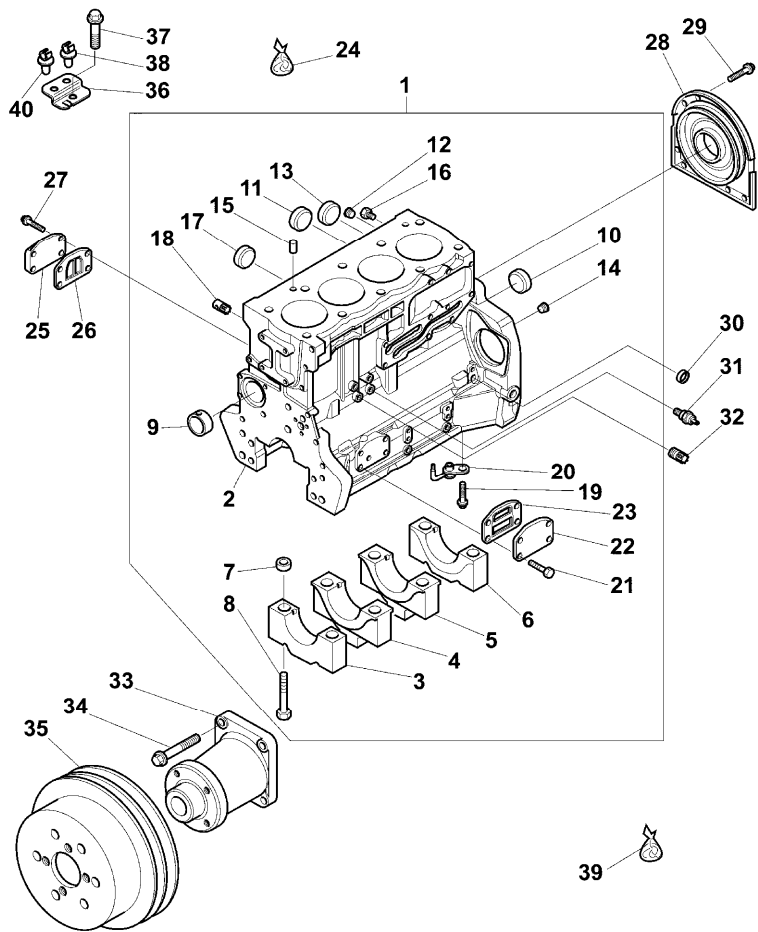
A-05
02



A0502

Cylinder block

REX Vigneti CAB\000030.401.png



		Inglese
1	ZZ50312	● ZZ50325(1) T-A 30:50 1 Kit
2		! 1 Zz50312 1 Cylinder
3		! 1 Zz50312 1 Bearing
4		! 1 Zz50312 1 Bearing
5		! 1 Zz50312 1 Bearing
6		! 1 Zz50312 1 Bearing
7	33142111	! 1 8 Manicott
8	32166329	! 1 8 Screw
9	3112D071	! 1 1 Bush
10	3241A012	● 3112D075(1) ! 1 1 Plug
11	3241A011	! 1 2 Plug
12	0650588	! 1 1 Plug
13	0650710	! 1 1 Plug
14	3212P008	! 1 1 Plug
15	3244A009	! 1 2 Dowel
16	32141316	! 1 2 Plug
17	2485A108	! 1 1 Plug
18	3212V006	! 1 1 Plug

Engine

V Series Cab Tier 2 (2003-2005) - RP02 - V85

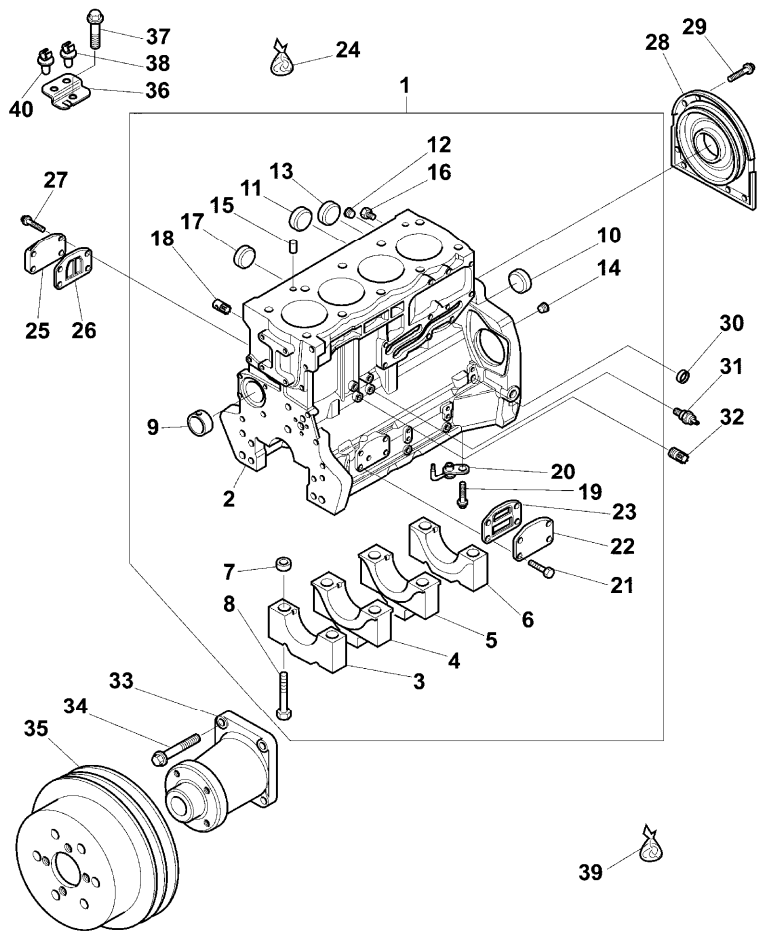
REX Vigneti CAB\000030.401.png

A-05
02



A0502

Cylinder block



19	2314F001	!	1
20	2113A001	!	1
		●	2113A003(4)
21	2314H033	!	1
22	3623A009	!	1
		T-A	0:50
23	3688A039	!	1
		T-A	0:50
24		⊕	A-05 16 2
25	3753A081	T-A	0:50
26	3688A041	T-A	0:50
27	2314H034		
28	2418F704	T-A	11:0
29	3211C002		
30	2485A109		
31	2848062	●	4172E054(1)
		T-A	0:25
32	3212V005		
33	4113K005	T-A	2:0
34	2314J005		
35	3115C111	T-A	2:0
36	3651A016	T-A	2:0
37	2314H002		
38	2481D556	●	2481D558(1)
39		⊕	A-05 16 1

Inglese

4	Screw
4	Atomiser
4	Screw
1	Plate
1	Gasket
1	Kit
1	Coperch.
1	Ring
4	Screw
1	Housing
10	Screw
1	Plug
1	Switch
1	Plug
1	Housing
4	Screw
1	Pulley
1	Support
1	Screw
1	Clip
1	Kit

Engine

V Series Cab Tier 2 (2003-2005) - RP02 - V85

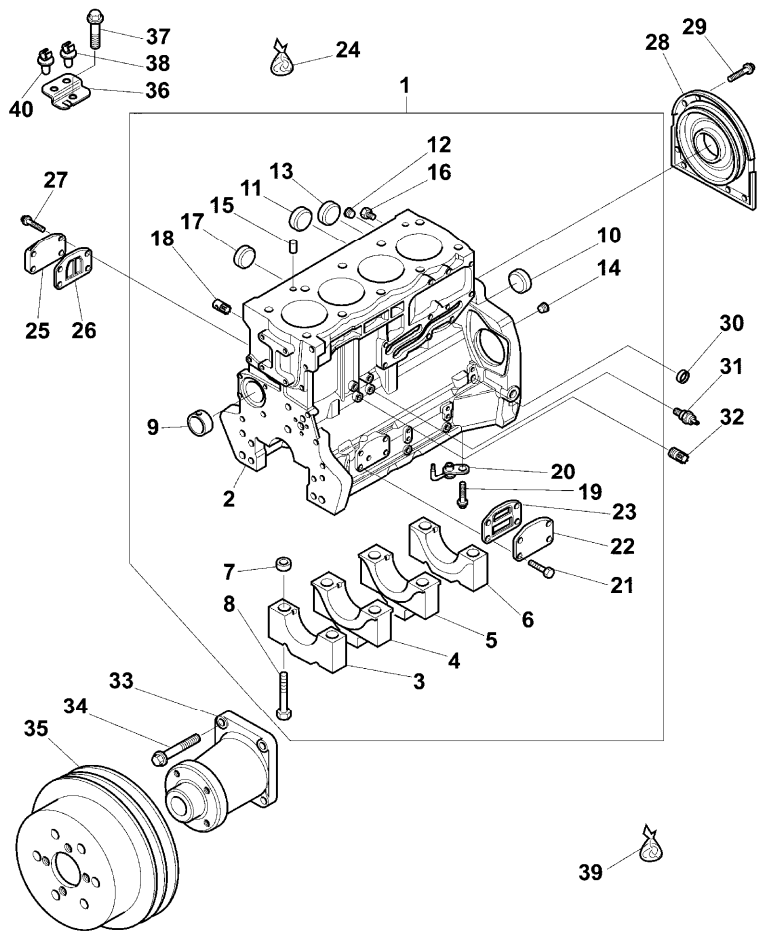
A-05
02



A0502

Cylinder block

REX Vigneti CAB\000030.401.png



Inglese

40 2481D558

1 Clip

- ! This is a component of an assembly
- 👁 See page - reference number
- 📄 Not serviced, order
- Replacement
- T-A Replacement

Engine

V Series Cab Tier 2 (2003-2005) - RP02 - V85

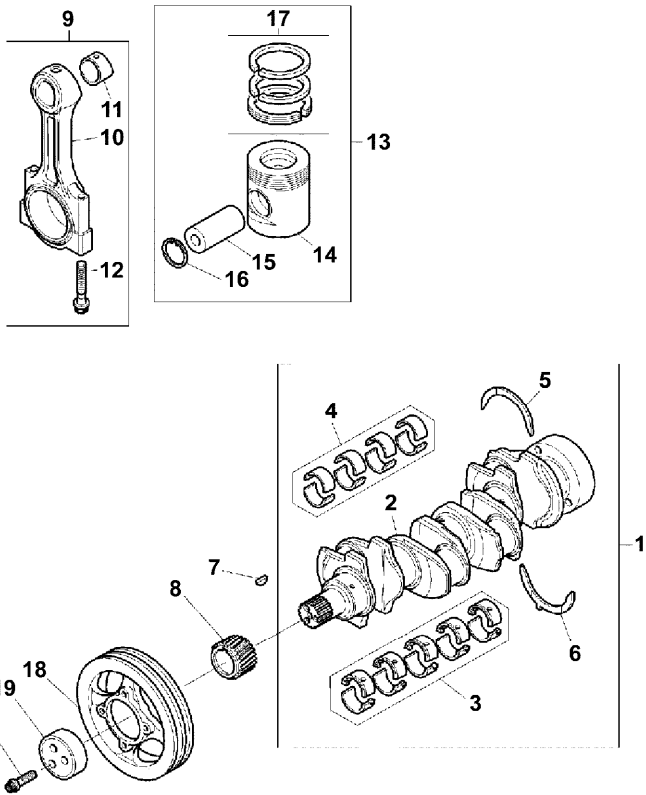
REX Vigneti CAB\000030.402.png

**A-05
03**



A0503

Crankshaft, pistons and connecting rods



		Inglese	
1	ZZ90224	<ul style="list-style-type: none"> ➡ U491476 t ● ZZ90239(1) T-A 18:50 	1 Kit
1	ZZ90237	➡ U491477 t	1 Shaft
2		! 1	1 Crankshaft
3	U5MB0018	<ul style="list-style-type: none"> ➡ Zz90224 ! 1 ● U5MB0033(1) T-A 18:50 	1 Kit
3	U5MB0018A	<ul style="list-style-type: none"> ⚡ (+)0.010" ! 1 ● U5MB0033A(1) T-A 18:50 	1 Kit
3	U5MB0018B	<ul style="list-style-type: none"> ⚡ (+)0.020" ! 1 ● U5MB0033B(1) T-A 18:50 	1 Kit
3	U5MB0018C	<ul style="list-style-type: none"> ⚡ (+)0.030" ! 1 ● N.L.A.(1) T-A 18:50 	1 Kit
4	U5ME0013	<ul style="list-style-type: none"> ! 1 ● U5ME0034(1) T-A 18:50 	1 Kit

Engine

V Series Cab Tier 2 (2003-2005) - RP02 - V85

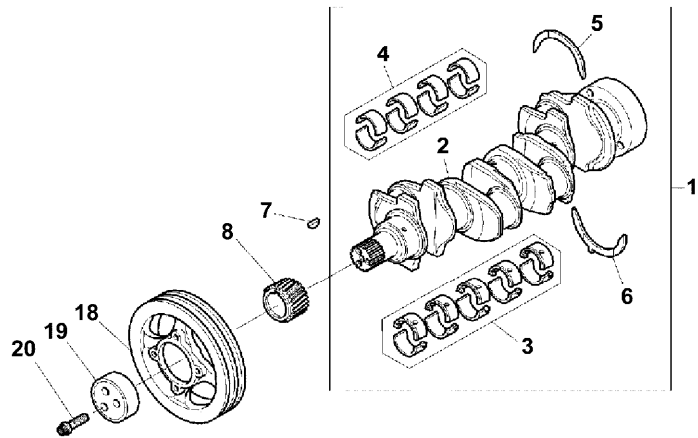
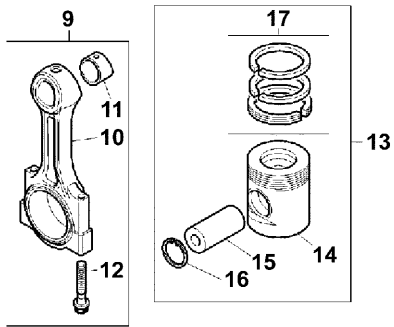
REX Vigneti CAB\000030.402.png

A-05
03



A0503

Crankshaft, pistons and connecting rods



		Inglese	
4	U5ME0013A	✂ (+)0.010" ! 1 ● U5ME0034A(1) T-A 18:50	1 Kit
4	U5ME0013B	✂ (+)0.020" ! 1 ● U5ME0034B(1) T-A 18:50	1 Kit
4	U5ME0013C	✂ (+)0.030" ! 1 ● U5ME0034C(1) T-A 18:50	1 Kit
5	31137312	✂ (+)0.007" ! 1 T-A 18:50	2 Ring
5	31137551	! 1 T-A 18:50	2 Washer
6	31137322	✂ (+)0.007" ! 1 T-A 18:50	2 Ring
6	31137561	! 1 T-A 18:50	2 Washer
7	0500012		1 Key
8	3117C221	T-A 13:0	1 Gear

Engine

V Series Cab Tier 2 (2003-2005) - RP02 - V85

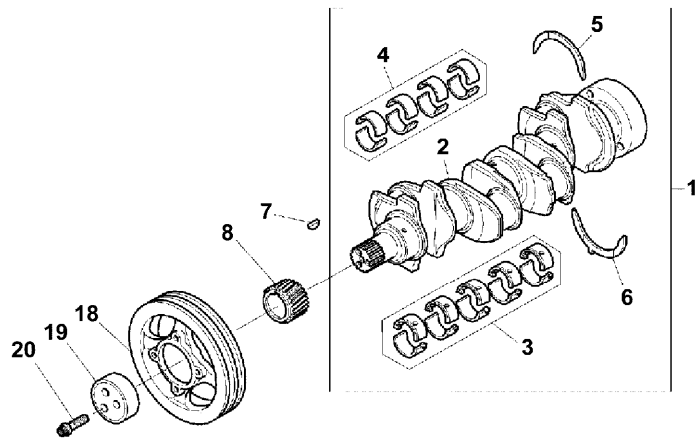
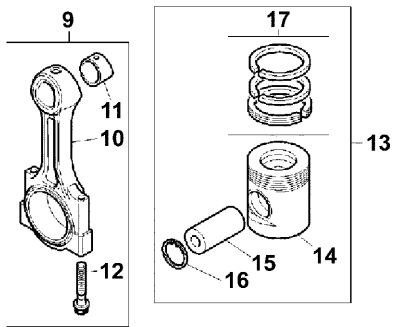
REX Vigneti CAB\000030.402.png

A-05
03



A0503

Crankshaft, pistons and connecting rods



Inglese

9	4115C311	➔	U491477 t	4	Kit
			F		
			T-A 17:0		
9	4115C312	➔	U491477 t	4	Kit
			E		
			T-A 17:0		
9	4115C313	➔	U491477 t	4	Kit
			D		
			T-A 18:50		
9	4115C314	➔	U491477 t	4	Kit
			C		
			T-A 17:0		
9	4115C315	➔	U491477 t	4	Kit
			B		
			T-A 17:0		
9	4115C316	➔	U491477 t	4	Kit
			A		
			T-A 17:0		
9	4115C361	➔	U491478 t	4	Conrod
			F		
9	4115C362	➔	U491478 t	4	Conrod
			E		
9	4115C363	➔	U491478 t	4	Conrod
			D		
9	4115C364	➔	U491478 t	4	Conrod
			C		

Engine

V Series Cab Tier 2 (2003-2005) - RP02 - V85

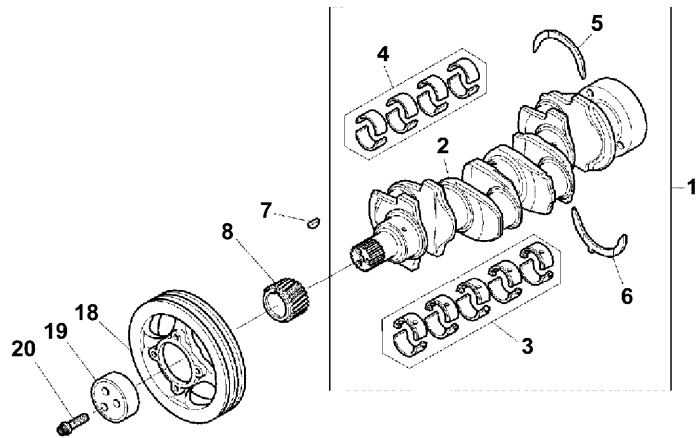
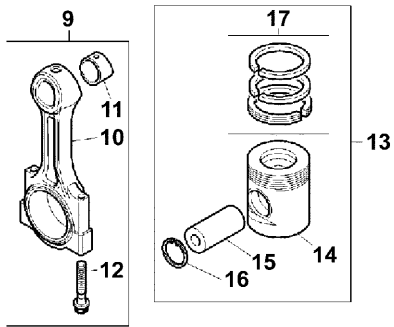
REX Vigneti CAB\000030.402.png

A-05
03



A0503

Crankshaft, pistons and connecting rods



		Inglese	
9	4115C365	➡ U491478 t B	4 Conrod
9	4115C366	➡ U491478 t A	4 Conrod
10		! 9 ➡ Ref.n.9	1 Conrod
11	3112A005	! 9 T-A 17:0	1 Bush
12	3212V003	! 9	2 Screw
13	4115P011	T-A 17:0	4 Kit
14		! 13 ➡ 4115p011	1 Piston
15		! 13 ➡ 4115p011	1 Pin
16	2721332	! 13	2 Ring
17	UPRK0003	! 13 T-A 17:0	1 Kit
18	3115T051	T-A 2:0	1 Pulley
19	3241N001	T-A 2:0	1 Block
20	32186137		3 Screw

- ! This is a component of an assembly
- ➡ From serial or engine number
- ➡ Up to serial or engine number
- ➡ Not serviced, order
- ⚡ Shim
- Replacement
- T-A Replacement

Engine

V Series Cab Tier 2 (2003-2005) - RP02 - V85

A-05
03

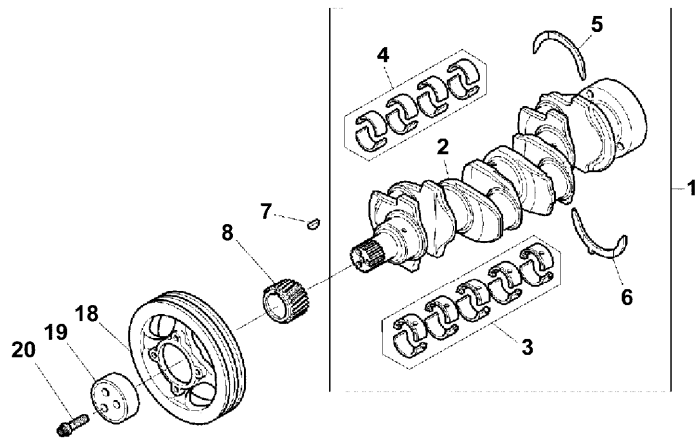
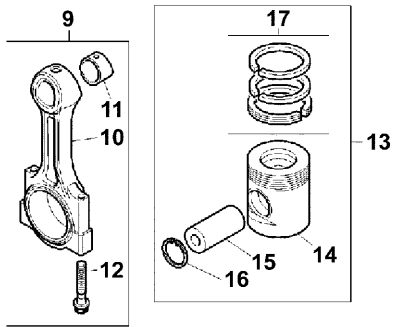


A0503

Crankshaft, pistons and connecting rods

REX Vigneti CAB\000030.402.png

- A Blue
- B Purple
- C Green
- D White
- E Orange
- F Red



Engine

V Series Cab Tier 2 (2003-2005) - RP02 - V85

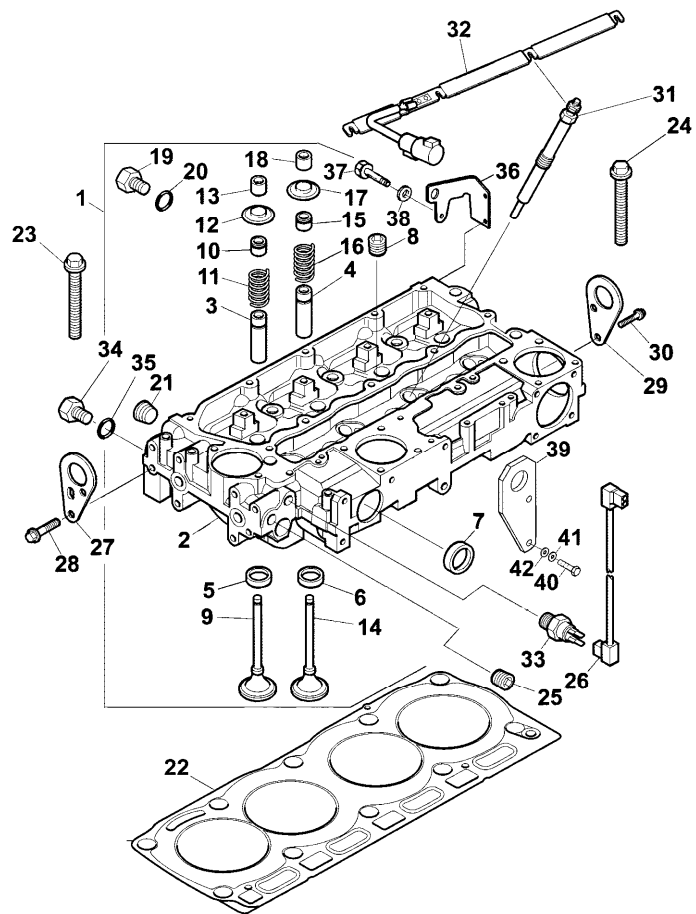
REX Vigneti CAB\000030.472.png

A-05
04



A0504

Cylinder head



		Inglese	
1	ZZ80268	T-A 4:0	1 Kit
		T-B 7:0	
2	!	1	1 Head
		Zz80268	
3	3313E021	!	4 Guide
		● 3313A012(4)	
		T-A 7:50	
4	3313E021	!	4 Guide
		● 3313A012(4)	
		T-A 7:50	
5	3314A151	!	4 Insert
		● 3314A241(4)	
		T-A 7:50	
6	3314A161	!	4 Insert
		● 3314A231(4)	
		T-A 7:50	
7	32416117	!	2 Plug
8	0650588	!	4 Plug
9	3142H071	!	4 Valve
		T-A 7:50	
10	2418M514	!	4 Ring
		● N.L.S.(4)	
		T-A 3:0	
11	3174A016	!	4 Spring
		T-A 3:0	

Engine

V Series Cab Tier 2 (2003-2005) - RP02 - V85

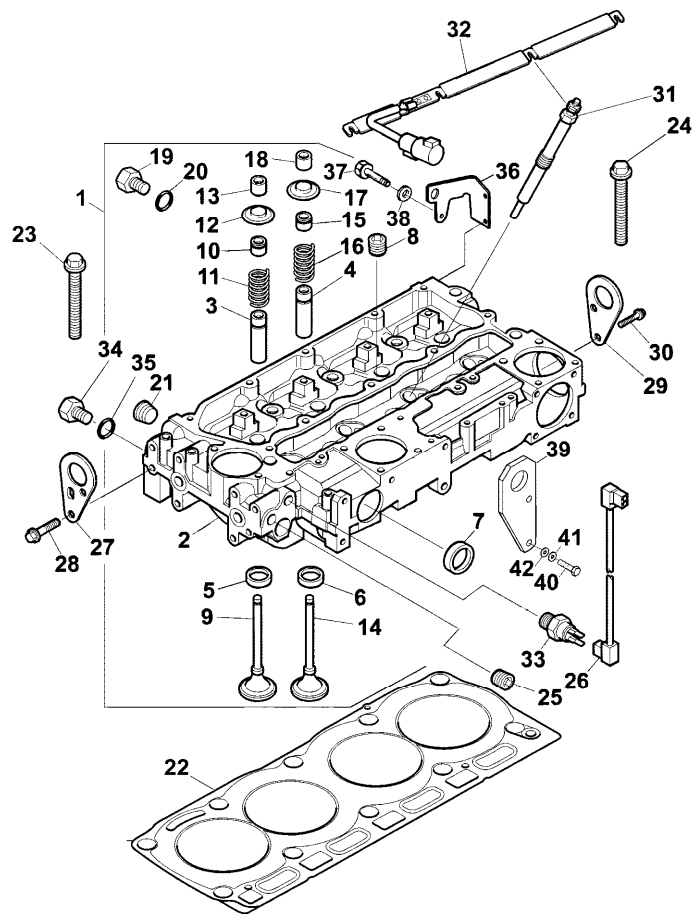
REX Vigneti CAB\000030.472.png

A-05
04



A0504

Cylinder head



				Inglese
12	3342A011	!	1	4 Cover
		T-A	3:0	
13	3142W004	!	1	8 Cotter
		T-A	3:0	
14	3142A151	!	1	4 Valve
		T-A	7:50	
15	2418M514	!	1	4 Ring
		●	N.L.S.(4)	
		T-A	3:0	
16	3174A016	!	1	4 Spring
		T-A	3:0	
17	3342A011	!	1	4 Cover
		T-A	3:0	
18	3142W004	!	1	8 Cotter
		T-A	3:0	
19	3278A006	!	1	1 Plug
20	2415H003	!	1	1 Ring
21	2431154	!	1	1 Plug
22	3681E044	⚡	3681e046	1 Gasket
		●	N.L.S.(1)	
		T-A	4:0	
22	3681E046	⚡	3681e044	1 Gasket
		●	3681E051(1)	
		T-A	4:0	
23	3218A011			7 Screw
24	3218A012			3 Screw

Engine

V Series Cab Tier 2 (2003-2005) - RP02 - V85

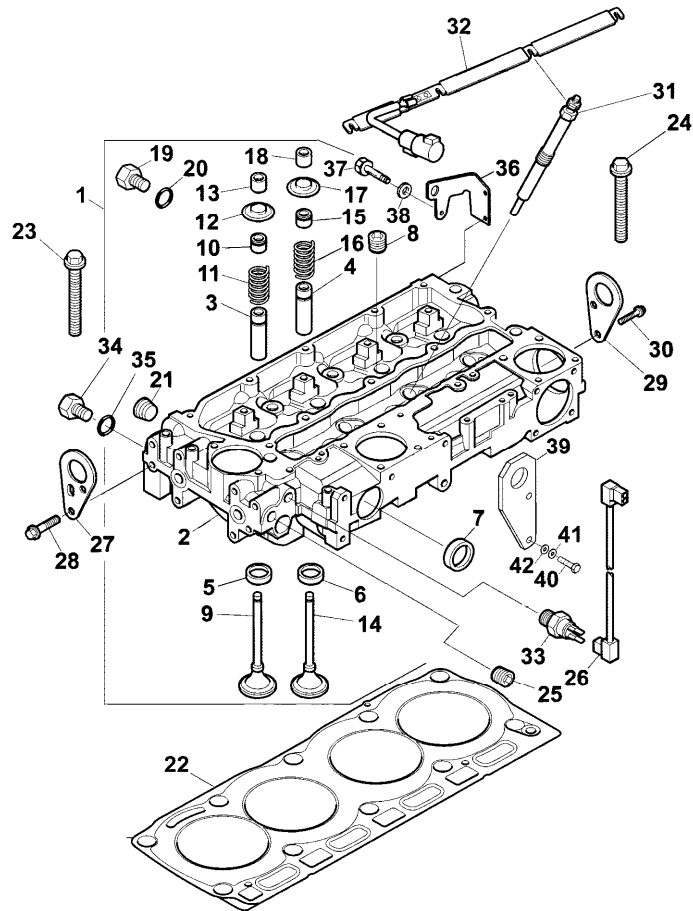
REX Vigneti CAB\000030.472.png

A-05
04



A0504

Cylinder head



		Inglese
25	2431154	1 Plug
26	3161C018	1 Cable
	● 3161C017(1)	
	T-A 0:25	
27	3617A015	1 Stirrup
28	2314J002	2 Screw
29	3617A015	1 Stirrup
	T-A 3:0	
30	2314J002	2 Screw
31	2666A016	4 Spark plug
32	3161C015	1 Bar
	● T409642(1)	
33	2848A127	1 Sensor
	A	
	T-A 0:25	
34	3278A006	1 Plug
35	2415H003	1 Ring
36	3678635M1	1 Stirrup
37	3009291X1	1 Screw
	M10x20	
38	1440314X1	1 Lock & seal
39	3681221M1	1 Plate
40	339123X1	2 Screw
	● 000160434210(2)	
	M8x20	
41	391039X1	2 Washer
42	339374X1	2 Lock & seal
	● Substitutions error	
!	This is a component of an assembly	
⚡	Alternative	
🛠	Not serviced, order	
●	Replacement	
T-A	Replacement	

Engine

A-05
04

Cylinder head

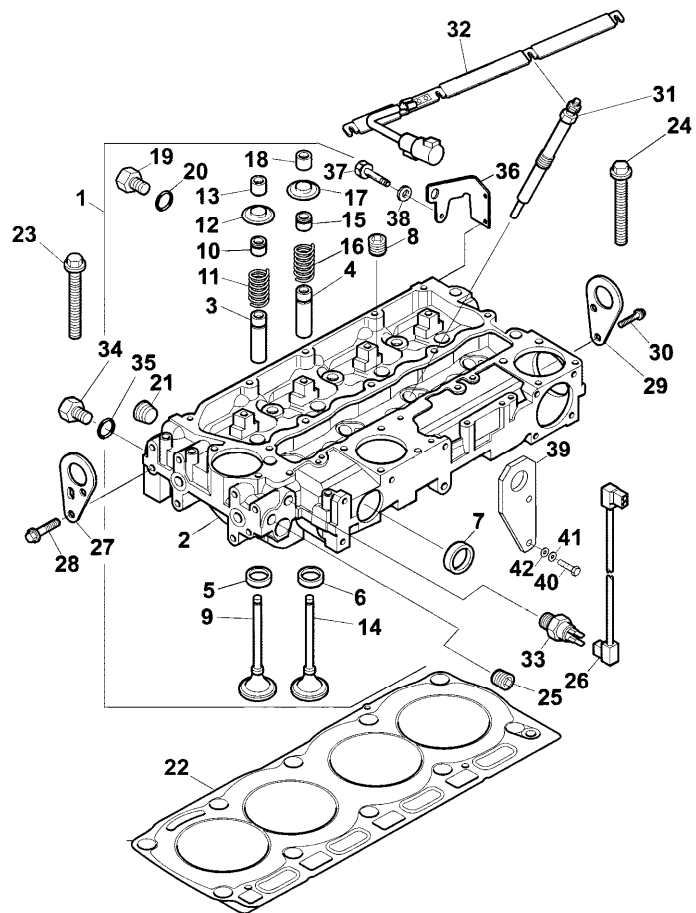
V Series Cab Tier 2 (2003-2005) - RP02 - V85



A0504

REX Vigneti CAB\000030.472.png

T-B Overhaul
A Engine water temperature



Buy Now



Our support email:

ebooklibonline@outlook.com