

Engine

GM Series Tier 2 (2003-2008) - RS11 - GM40

RS11\00012552.png

A-05
01



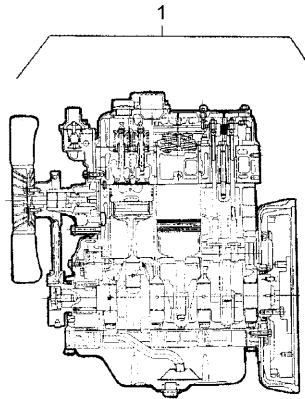
A0501

Engine assembly - engine yanmar type "3tnv 88"

Inglese

- 1 3669986M91 ● 3669986M92(1) 1 Engine
- T-A 13:0
- T-B 31:0

- Replacement
- T-A Replacement
- T-B Overhaul



Engine

GM Series Tier 2 (2003-2008) - RS11 - GM40

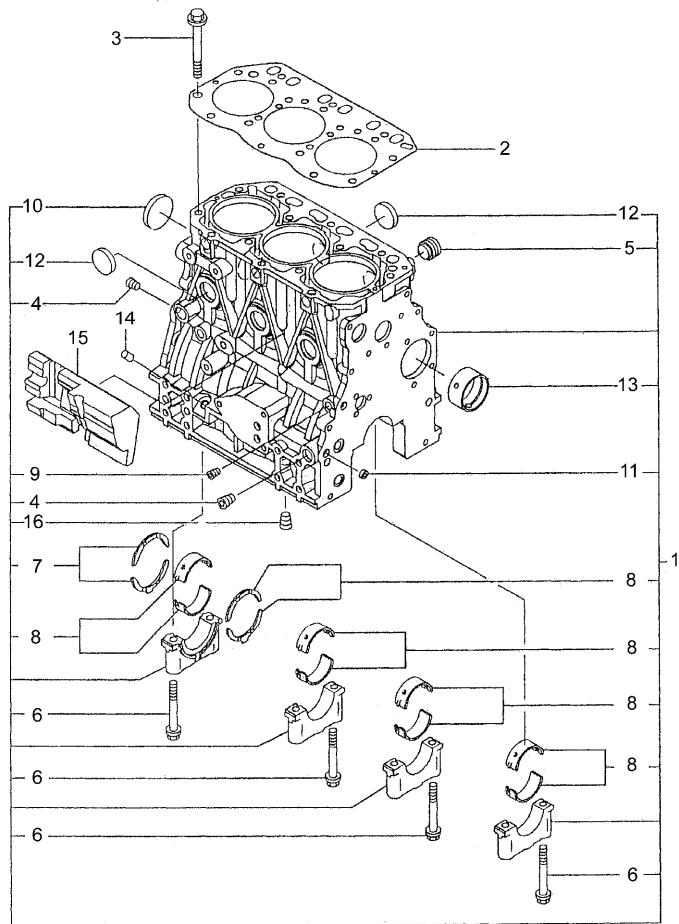
A-05
02



A0502

Cylinder block - engine yanmar type "3tnv 8"

RS11\000012927.png



				Inglese
1	3681397M1	T-A 33:0		1 Guard
2	3653335M1	(X) 1.3.6.1 T-A 5:0		1 Gasket
3	3653428M1			14 Stud
4	3653316M1	! 1 T-A 0:25		2 Plug
5	3653796M1	! 1 T-A 0:25		1 Plug
6	3653429M1	! 1		8 Bolt
7	3653432M1	! 1 ● 4215968M1(2) T-A 16:50		2 Ring
7	3653433M1	! 1 ● 4215970M1(2) A T-A 16:50		2 Ring
8	3653431M1	! 1 ● 3653431M2(4) B T-A 16:50		4 Ring
8	3680175M1	! 1 ● 4215967M1(1) T-A 16:50		4 Kit
9	3678007M1	! 1 T-A 0:25		1 Plug

Engine

GM Series Tier 2 (2003-2008) - RS11 - GM40

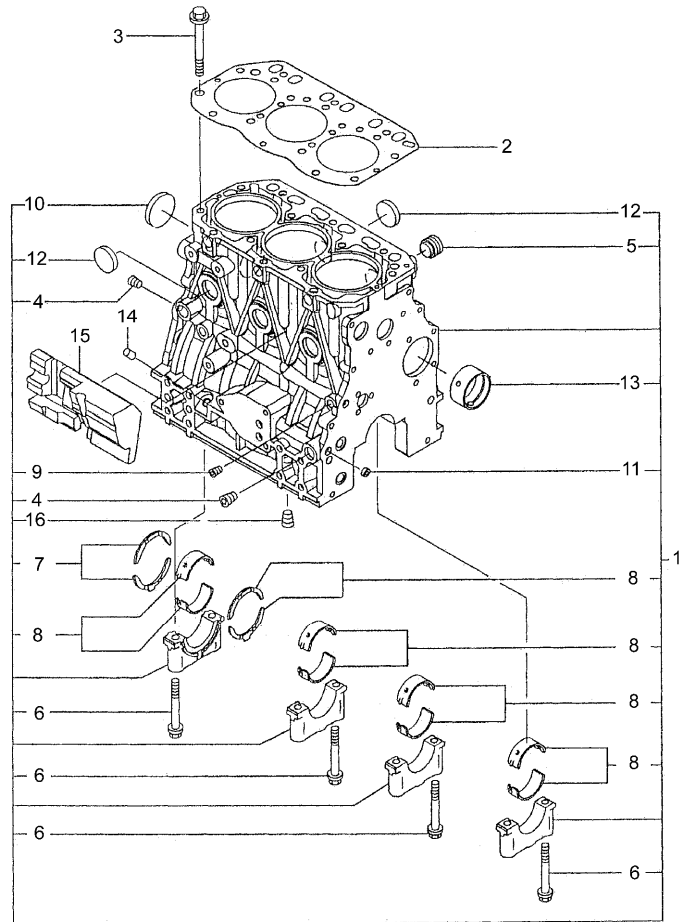
RS11\000012927.png

A-05
02



A0502

Cylinder block - engine yanmar type "3tnv 8"



Inglese

10	3680174M1	!	1	1	Plug
		●	3664445M1(1)		
		T-A	0:75		
11	3653888M1	!	1	2	Plug
12	3653889M1	!	1	6	Plug
		●	3653889M2(6)		
		T-A	0:75		
13	3653791M1	!	1	1	Bearing
		T-A	31:0		
14	3677943M1	!	1	1	Plug
15	3678014M1	!	1	1	Spacer
16	3653316M1	!	1	1	Plug

! This is a component of an assembly

● Replacement

(X) Qty per tractors sold (aa.bbb.ccc.ddd) (aa) for 1,(bbb) 2-10 (ccc) 11-25 (ddd) 26-50

T-A Replacement

A Over-size (0,25mm) part.

B Under-size (0,25mm) part.

Engine

GM Series Tier 2 (2003-2008) - RS11 - GM40

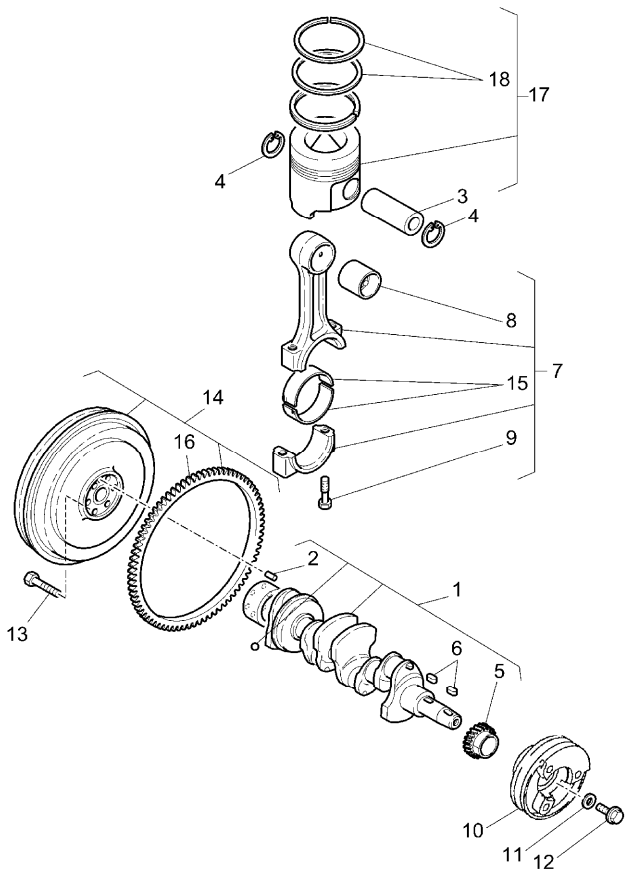
RS11\000012928.png

A-05
03



A0503

Crankshaft, pistons and connecting rods - - engine yanmar type "3tnv 88"



				Inglese
1	3681382M1	T-A 15:0		1 Shaft
		T-B 17:0		
2	3653378M1	!	1	1 Dowel
3	3653731M1	T-A 17:0		3 Cotter
4	3653815M1			6 Clip
5	3653820M1	!	1	2 Key
		T-A 20:0		
6	3677974M1	!	1	1 Gear
		● 4206674M1(1)		
		T-A 20:0		
7	3653897M1	T-A 17:0		3 Conrod
8	3653383M1	!	7	3 Bearing
		T-A 17:0		
9	3653307M1	!	7	6 Bolt
10	3653362M1	T-A 2:0		1 Pulley
11	3653794M1			1 Washer
12	3653309M1			1 Bolt
13	3653301M1			6 Bolt
14	3653361M1	T-A 10:25		1 Flywheel
15	3653450M1	!	7	3 Bearing
		● 4216034M1(3)		
		T-A 17:0		
15	3653451M1	!	7	3 Bearing
		B		
		T-A 17:0		

Engine

GM Series Tier 2 (2003-2008) - RS11 - GM40

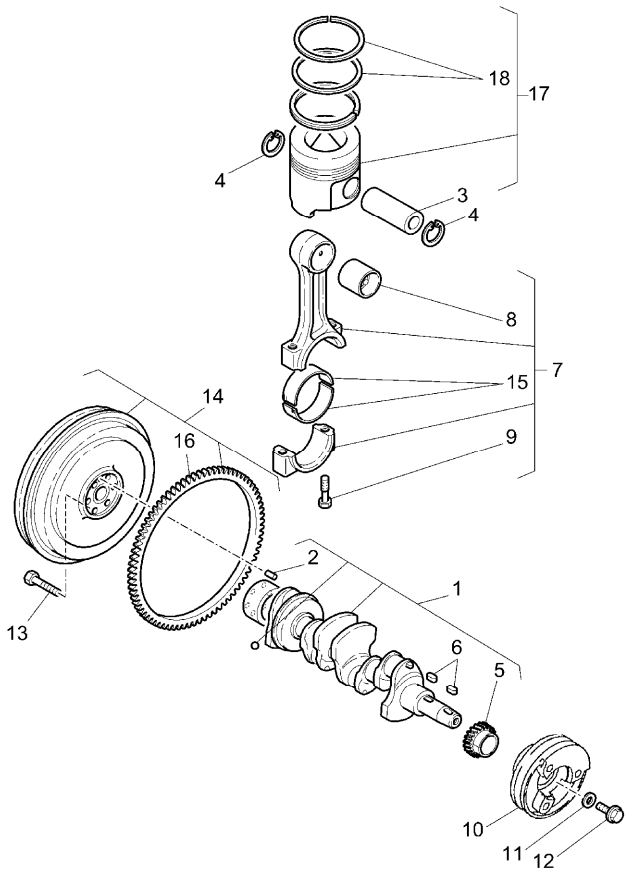
RS11\000012928.png

**A-05
03**



A0503

Crankshaft, pistons and connecting rods - - engine yanmar type "3tnv 88"



Inglese

16	3653297M1	!	14	1	Crownwheel
		T-A	10:25		
17	3680221M1	(X)	1.3.6.1	3	Piston
		T-A	17:0		
17	3680222M1	A		3	Piston
		T-A	17:0		
18	3678015M1	!	17	3	Kit
		T-A	17:0		
18	3678016M1	!	17	3	Kit
		A			
		T-A	17:0		

! This is a component of an assembly

● Replacement

(X) Qty per tractors sold (aa.bbb.ccc.ddd) (aa) for 1,(bbb) 2-10 (ccc) 11-25 (ddd) 26-50

T-A Replacement

T-B Overhaul

A Over-size (0,25mm) part.

B Under-size (0,25mm) part.

Engine

GM Series Tier 2 (2003-2008) - RS11 - GM40

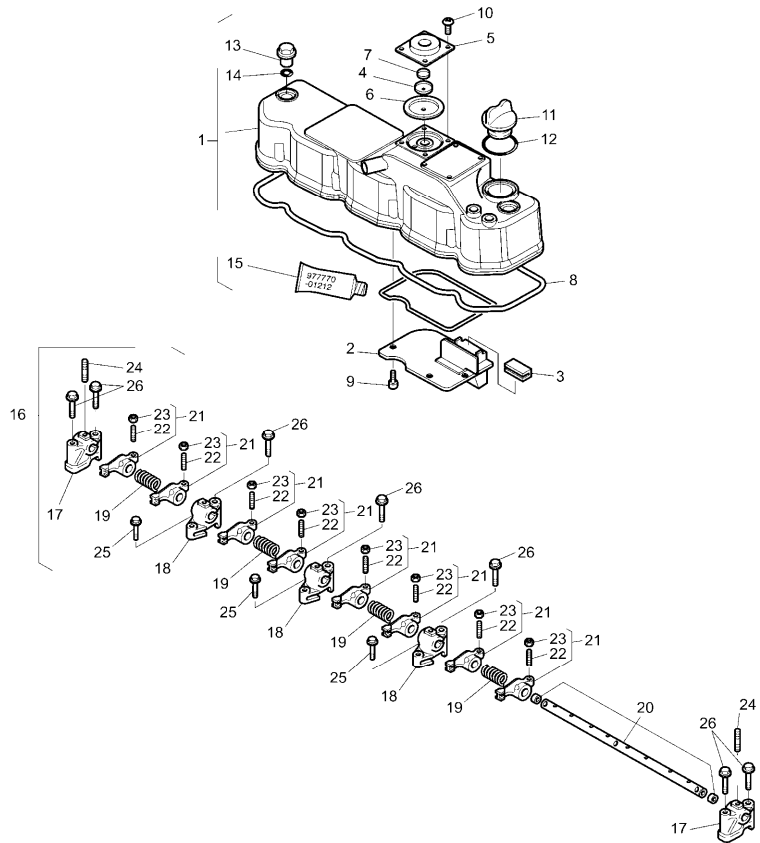
RS11\00012557.png

A-05
04



A0504

Cylinder head - rocker shaft - engine yanmar type "3tnv 88"



Inglese

1	3681380M1	T-A	1:50	1	Coperch.
2	3680191M1	!	1	1	Plate
3	3653435M1	!	1	1	Guard
4	3680210M1	!	1	1	Plate
5	3680211M1	!	1	1	Coperch.
6	3680212M1	!	1	1	Diaphragm
7	3680213M1	!	1	1	Spring
8	3681379M1	!	1	1	Gasket
		(X)	1.3.6.1		
		T-A	1:50		
9	3665010M1	!	1	4	Screw
			M5x10		
10	3665010M1	!	1	4	Screw
			M5x10		
11	3653315M1	!	1	1	Plug
		T-A	0:25		
12	3653835M1	!	1	1	O ring
13	3653317M1	!	1	3	Plug
14	3653831M1	!	1	3	O ring
15	3653908M1	!	1	1	Gasket
	●		3653908M2(1)		
16	3681377M1	T-A	2:75	1	Shaft
17	3680185M1	!	16	2	Support
		T-A	2:0		

Engine

GM Series Tier 2 (2003-2008) - RS11 - GM40

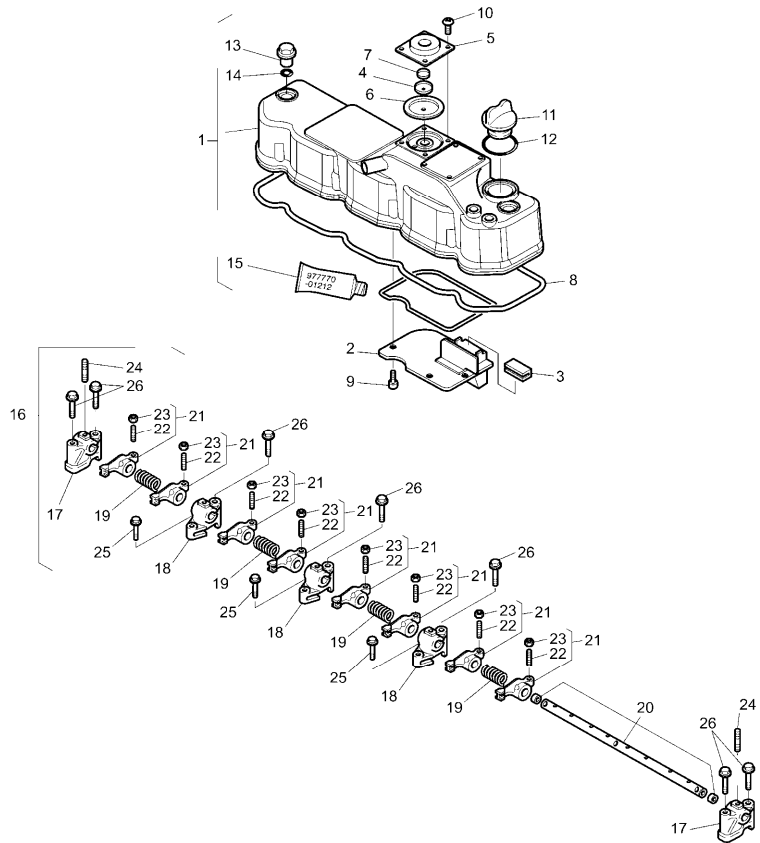
RS11\00012557.png

A-05
04



A0504

Cylinder head - rocker shaft - engine yanmar type "3tnv 88"



Inglese

18	3680186M1	!	16	3	Support
		T-A	2:0		
19	3653440M1	!	16	3	Spring
		T-A	2:0		
20	3681378M1	!	16	1	Shaft
		T-A	2:75		
21	3680188M1	!	16	6	Cam
		T-A	2:0		
22	3653439M1	!	21	6	Screw
		T-A	1:50		
23	3653444M1	!	21	6	Nut
		T-A	1:50		
24	3681374M1	!	16	3	Stud
25	3653860M1	!	16	3	Bolt
			M8x25		
26	3653864M1	!	16	6	Bolt
			M8x50		

! This is a component of an assembly

● Replacement

(X) Qty per tractors sold (aa.bbb.ccc.ddd) (aa) for 1,(bbb) 2-10 (ccc) 11-25 (ddd) 26-50

T-A Replacement

Engine

GM Series Tier 2 (2003-2008) - RS11 - GM40

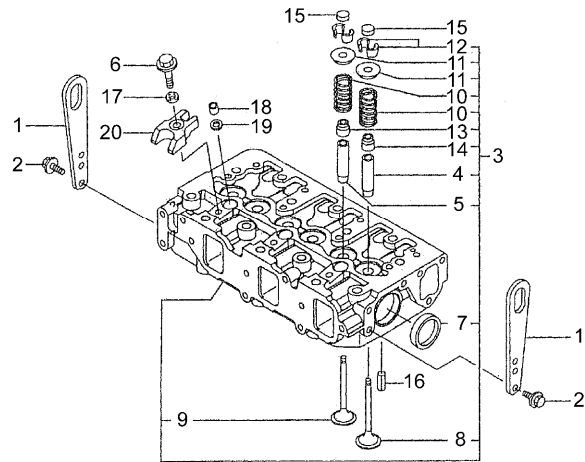
RS11\000012929.png

**A-05
041**



A05041

Cylinder head - rocker shaft - engine yanmar type "3tnv 88"



		Inglese
1	3664580M1	2 Stirrup
2	3653857M1	3 Bolt
3	3681386M1	1 Head
	T-A 5:0	
	T-B 8:75	
4	3653298M1	3 Guide
	! 3	
	T-A 8:75	
5	3653445M1	3 Guide
	! 3	
	T-A 8:75	
6	3653861M1	3 Bolt
	! 3	
	M8x35	
7	3653890M1	2 Plug
	! 3	
	(X) 4.8.12.1	
8	3681364M1	3 Valve
	! 3	
	(X) 3.6.10.1	
	T-A 7:75	
9	3653381M1	3 Valve
	! 3	
	● 3653381M2(3)	
	(X)	
	T-A 7:75	
10	3653792M1	6 Spring
	! 3	
	T-A 7:75	
11	3653793M1	6 Nameplate
	! 3	
	T-A 7:75	
12	3680181M1	6 Clip
	! 3	
	T-A 7:75	

Engine

GM Series Tier 2 (2003-2008) - RS11 - GM40

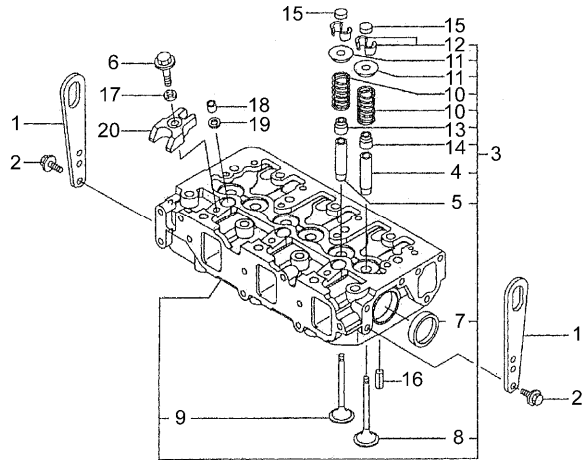
RS11\000012929.png

**A-05
041**



A05041

Cylinder head - rocker shaft - engine yanmar type "3tnv 88"



		Inglese	
13	3653304M1	! 3	3 Thimble
		T-A 7:75	
14	3653323M1	! 3	3 Thimble
		T-A 7:75	
15	3653443M1	! 3	6 Shim
		T-A 7:75	
16	3653818M1	! 3	2 Pin
17	3680183M1	! 3	3 Washer
18	3677971M1	! 3	3 Guard
19	3653266M1	! 3	3 Washer
20	3680182M1	! 3	3 Clip
		T-A 0:25	
21		⦿ A-05 04	3 Clip

! This is a component of an assembly

⦿ See page - reference number

● Replacement

(X) Qty per tractors sold (aa.bbb.ccc.ddd) (aa) for 1,(bbb) 2-10 (ccc) 11-25 (ddd) 26-50

T-A Replacement

T-B Overhaul

Engine

GM Series Tier 2 (2003-2008) - RS11 - GM40

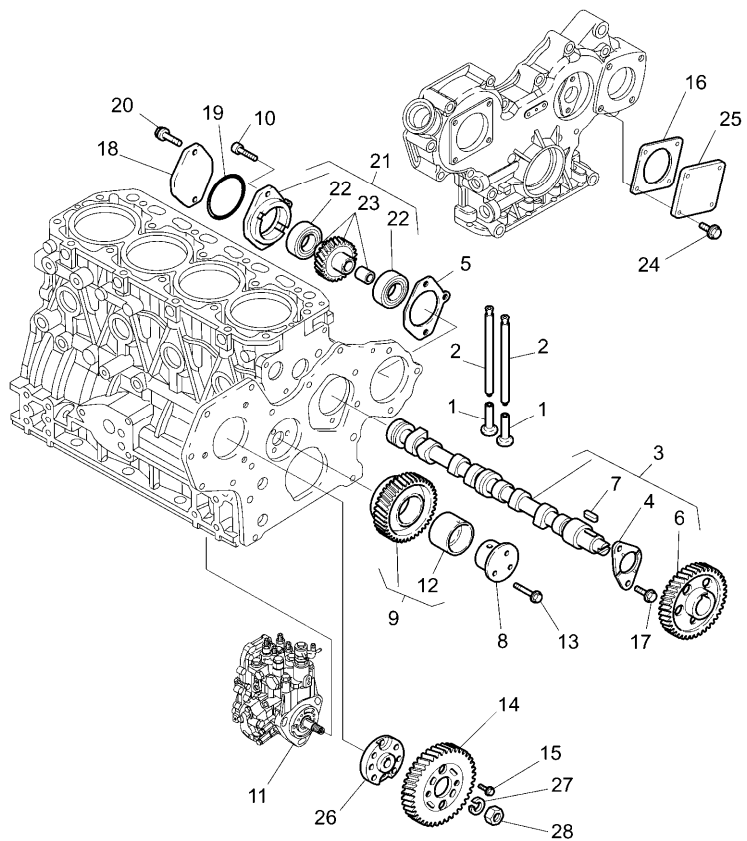
RS11\00012559.png

A-05
05



A0505

Timing gear and camshaft - - engine yanmar type "3tnv 88"



				Inglese
1	3653447M1	T-A 31:0	8	Tappet
2	3653448M1	T-A 2:75	8	Rod
3	3653400M1	T-A 31:0	1	Shaft
4	3653430M1	! 3 T-A 31:0	1	Plate
5	3653800M1	T-A 1:0	1	Gasket
6	3653446M1	! 3 T-A 31:0	1	Gear
7	3653820M1	! 3 T-A 31:0	1	Key
8	3677975M1	T-A 9:50	1	Shaft
9	3677977M1	T-A 9:50	1	Gear
10	3653879M1	M8x28	1	Bolt
11		⊕ A-05 12 27	1	Pump
12	3677976M1	! 9 T-A 9:50	1	Bush
13	3653862M1	M8x40	3	Bolt
14	3677978M1	T-A 9:25	1	Gear
15	3664454M1		4	Screw
16	3653321M1	T-A 0:50	1	Gasket
17	3653857M1	M8x14	2	Bolt
18	3653300M1	T-A 0:50	1	Cover
19	3653839M1	T-A 0:50	1	O ring
20	3653869M1	M10x45	2	Bolt
21	3653363M1	T-A 1:0	1	Kit

Engine

GM Series Tier 2 (2003-2008) - RS11 - GM40

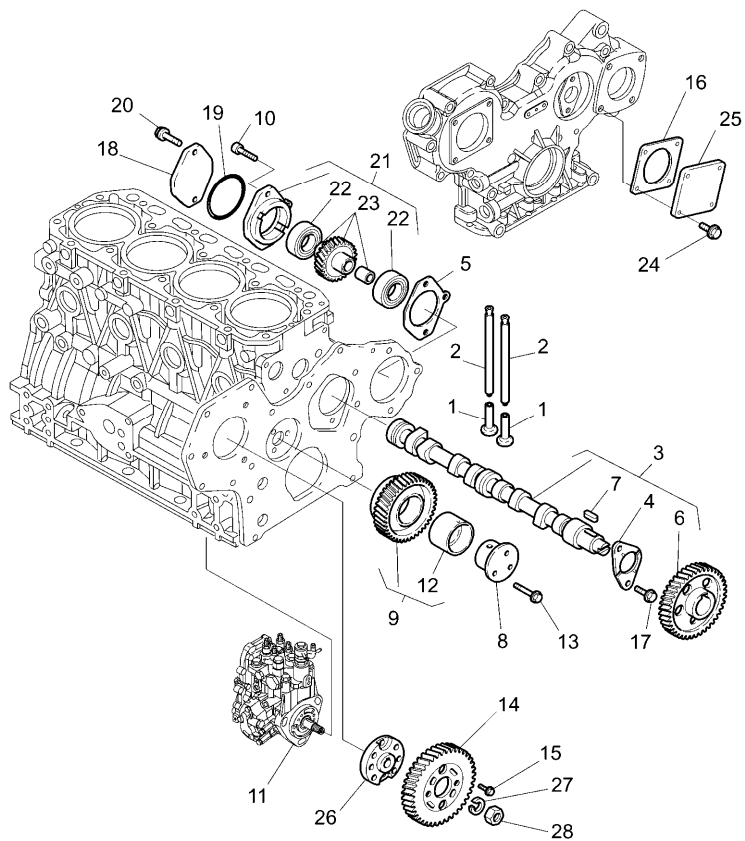
A-05
05



A0505

Timing gear and camshaft - - engine yanmar type "3tnv 88"

RS11\00012559.png



Inglese

22	3653830M1	!	21	2	Bearing
			T-A	1:50	
23	3653364M1	!	21	1	Gear
			T-A	1:50	
24	3653858M1		M8x16	4	Bolt
25	3653320M1	T-A	0:50	1	Cover
26	3678298M1	T-A	9:25	1	Flange
27	3678300M1			1	Washer
28	3678315M1			1	Nut
	!	This is a component of an assembly			
	⦿	See page - reference number			
	T-A	Replacement			

Engine

GM Series Tier 2 (2003-2008) - RS11 - GM40

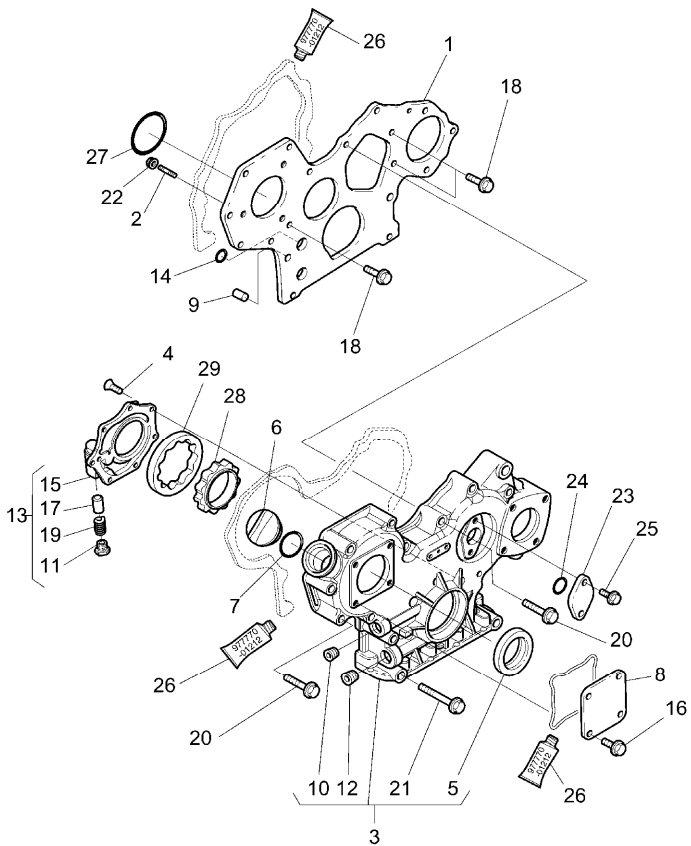
RS11\000012930.png

A-05
06



A0506

Distribution cover - engine yanmar type "3tnv 88"



			Inglese
1	3678023M1	T-A 4:75	1 Flange
2	3677969M1	M8x25	3 Stud
3	3680176M1	T-A 4:75	1 Coperch.
4	3677981M1	M6x16	7 Screw
5	3653788M1	! 3 72x55x9 (X) 1.3.6.1 T-A 2:50	1 Seal
6	3653315M1		1 Plug
7	3653835M1	! 6 T-A 0:25	1 O ring
8	3653320M1		1 Coperch.
9	3653789M1		2 Bush
10	3665018M1	! 3	1 Plug
11	3678013M1	! 13	1 Plug
12	3678309M1	! 3	1 Plug
13	3677980M1	T-A 4:75	1 Cover
14	3677944M1		4 Ring
15	3677979M1	! 13 T-A 4:75	1 Cover
16	3653858M1	M8x16	4 Bolt
17	3678295M1	! 13 T-A 4:75	1 Valve
18	3653858M1	M8x16	3 Bolt

Engine

GM Series Tier 2 (2003-2008) - RS11 - GM40

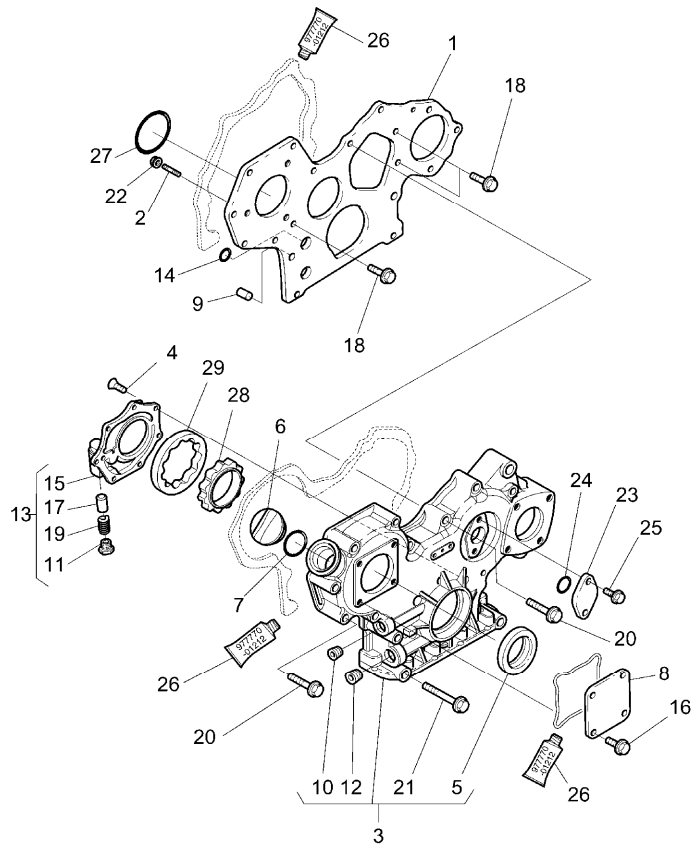
RS11\000012930.png

**A-05
06**



A0506

Distribution cover - engine yanmar type "3tnv 88"



Inglese

19	3678043M1	!	13	1	Spring
		T-A	4:75		
20	3653865M1		M8x55	11	Bolt
21	3664450M1	!	3	3	Bolt
			M8x85		
22	3666905M1			3	Nut
23	3653299M1	T-A	0:25	1	Cover
24	3653841M1	T-A	0:25	1	O ring
25	3653853M1		M6x16	2	Bolt
26	3653908M1	●	3653908M2(1)	1	Gasket
		A			
27	3653310M1			1	O ring
28	3680177M1	T-A	4:75	1	Rotor
29	3680178M1	T-A	4:75	1	Rotor

! This is a component of an assembly

● Replacement

(X) Qty per tractors sold (aa.bbb.ccc.ddd) (aa) for 1,(bbb) 2-10 (ccc) 11-25 (ddd) 26-50

T-A Replacement

A For application, refer to workshop manual

Engine

GM Series Tier 2 (2003-2008) - RS11 - GM40

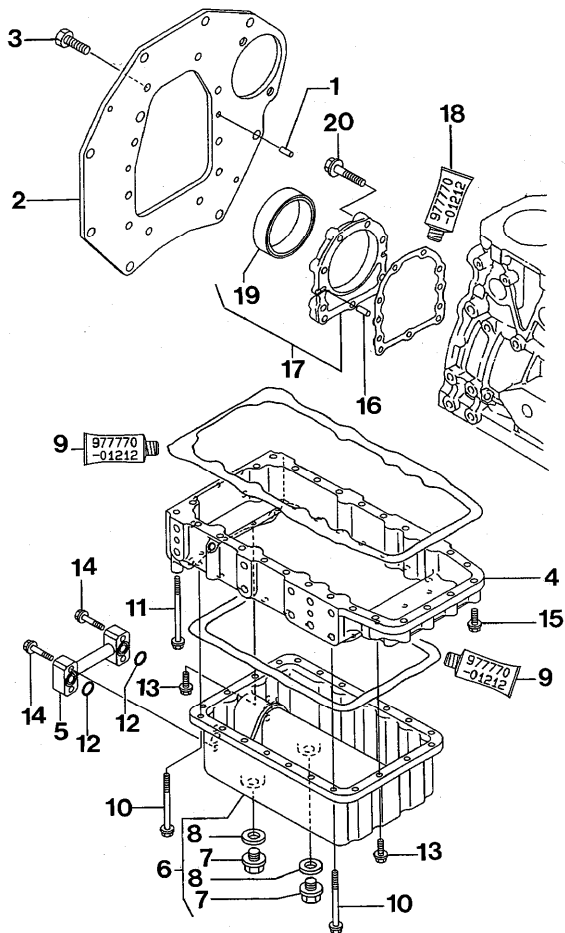
A-05
07



A0507

Lubricating oil pump and delivery housing - - engine yanmar type "3tnv 88"

RS11\00001365.png



		Inglese
1	3653378M1	2 Dowel
2	3653357M1	1 Flange
3	3653872M1	8 Bolt
4	3653940M1	1 Spacer
	● N.L.A.(1)	
	T-A 5:75	
5	3653358M1	1 Spacer
6	3653359M1	1 Pan
7	3653253M1	2 Plug
	! 6	
	T-A 0:50	
8	3653811M1	2 Seal
9	3653908M1	1 Gasket
	● 3653908M2(1)	
	A	
10	3653351M1	14 Bolt
11	3653352M1	4 Bolt
12	3653834M1	2 O ring
13	3653860M1	6 Bolt
14	3653862M1	4 Bolt
15	3653860M1	4 Bolt
16	3653378M1	2 Dowel
17	3653379M1	1 Housing
	● 4206673M1(1)	
	T-A 10:75	
18	3653908M1	1 Gasket
	● 3653908M2(1)	
	A	
	T-A 10:75	

Buy Now



Our support email:

ebooklibonline@outlook.com