

Engine

GM Series Tier 2 (2003-2008) - RS11 - GM50

RS11\00012554.png

A-05  
01



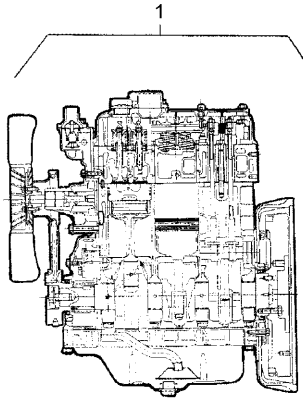
A0501

Engine assembly - engine yanmar type "4tnv 88"

Inglese

1 3669988M91 ● 3669988M94(1) 1 Engine  
T-A 12:0  
T-B 30:0

● Replacement  
T-A Replacement  
T-B Overhaul



Engine

GM Series Tier 2 (2003-2008) - RS11 - GM50

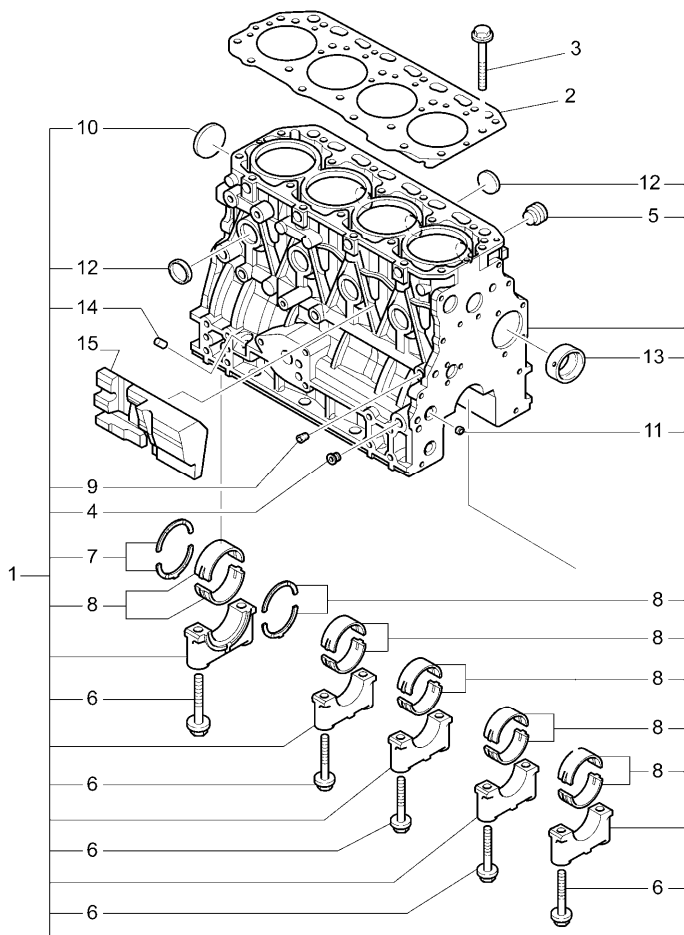
A-05  
02



A0502

Cylinder block - engine yanmar type "4tnv 88"

RS11\00012555.png



Inglese

1	3681363M1	T-A	33:50	1	Kit
2	3653740M1	(X)	1.3.6.1	1	Gasket
		T-A	5:50		
3	3653428M1			18	Stud
4	3653316M1	T-A	0:25	2	Plug
5	3653796M1	!	1	1	Plug
		T-A	0:25		
6	3653429M1	!	1	10	Bolt
7	3653432M1	!	1	2	Ring
		●	4215968M1(2)		
		T-A	16:50		
7	3653433M1	!	1	2	Ring
		●	4215970M1(2)		
		A			
		T-A	16:50		
8	3653431M1	!	1	5	Ring
		●	3653431M2(5)		
		B			
		T-A	16:50		
8	3680175M1	!	1	5	Kit
		●	4215967M1(1)		
		T-A	16:50		
9	3678007M1	!	1	1	Plug
		T-A	0:25		

Engine

GM Series Tier 2 (2003-2008) - RS11 - GM50

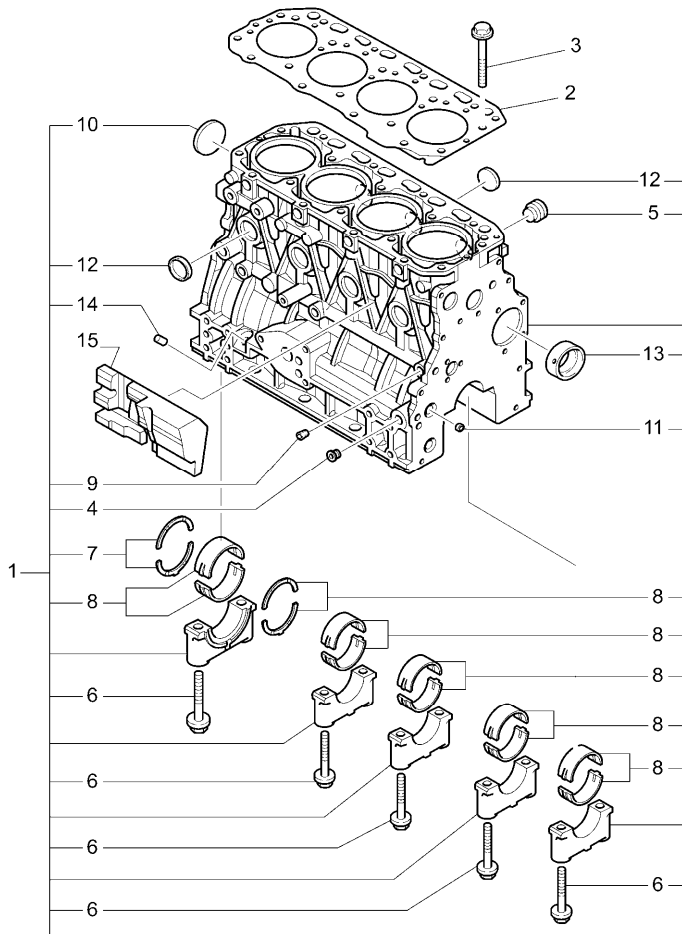
RS11\00012555.png

A-05  
02



A0502

Cylinder block - engine yanmar type "4tnv 88"



				Inglese
10	3680174M1	!	1	1 Plug
		●	3664445M1(1)	
		T-A	0:75	
11	3653888M1	!	1	2 Plug
12	3653889M1	!	1	8 Plug
		●	3653889M2(8)	
		T-A	0:75	
13	3653791M1	!	1	1 Bearing
		T-A	31:0	
14	3677943M1	!	1	1 Plug
15	3678014M1	!	1	1 Spacer

! This is a component of an assembly

● Replacement

(X) Qty per tractors sold (aa.bbb.ccc.ddd) (aa) for 1,(bbb) 2-10 (ccc) 11-25 (ddd) 26-50

T-A Replacement

A Over-size (0,25mm) part.

B Under-size (0,25mm) part.

Engine

GM Series Tier 2 (2003-2008) - RS11 - GM50

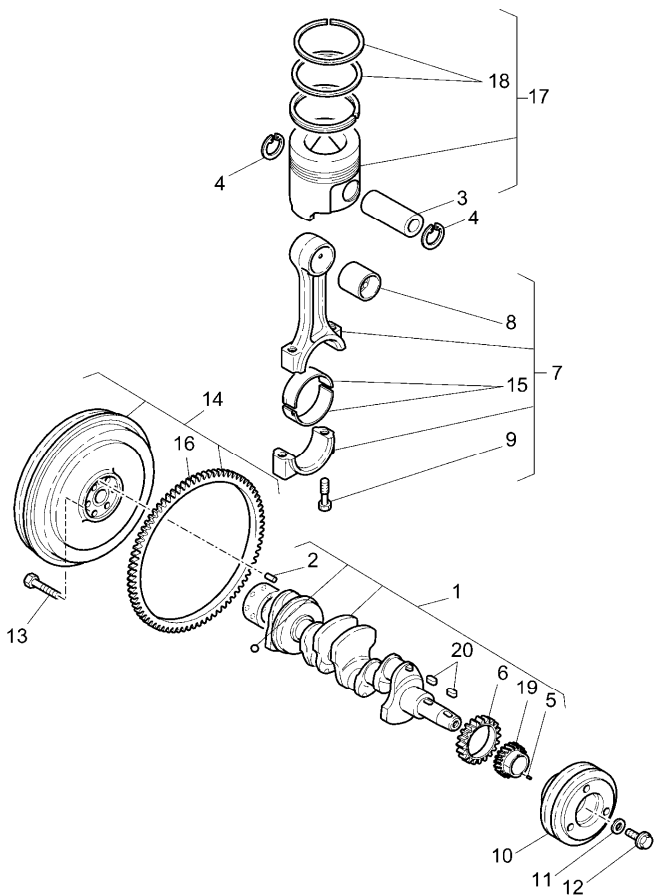
RS11\00012556.png

A-05  
03



A0503

Crankshaft, pistons and connecting rods - - engine yanmar type "4tnv 88"



				Inglese
1	3680220M1	T-A	16:50	1 Shaft
2	3653378M1	!	1	1 Dowel
3	3653731M1	T-A	17:0	4 Cotter
4	3653815M1			8 Clip
5	3653308M1	!	1	1 Dowel
6	3664468M1	!	1	1 Gear
		T-A	20:0	
7	3653897M1	T-A	17:0	4 Conrod
8	3653383M1	!	7	4 Bearing
		T-A	17:0	
9	3653307M1	!	7	8 Bolt
10	3653763M1	●	4216750M1(1), 6510420M1(1)	1 Pulley
		T-A	2:0	
11	3653794M1			1 Washer
12	3653309M1			1 Bolt
13	3653301M1			6 Bolt
14	3653762M1	T-A	10:50	1 Flywheel
15	3653450M1	!	7	4 Bearing
		●	4216034M1(4)	
		T-A	17:0	
15	3653451M1	!	7	4 Bearing
		B		
		T-A	17:0	
16	3653297M1	!	14	1 Crownwheel
		T-A	10:25	

Engine

GM Series Tier 2 (2003-2008) - RS11 - GM50

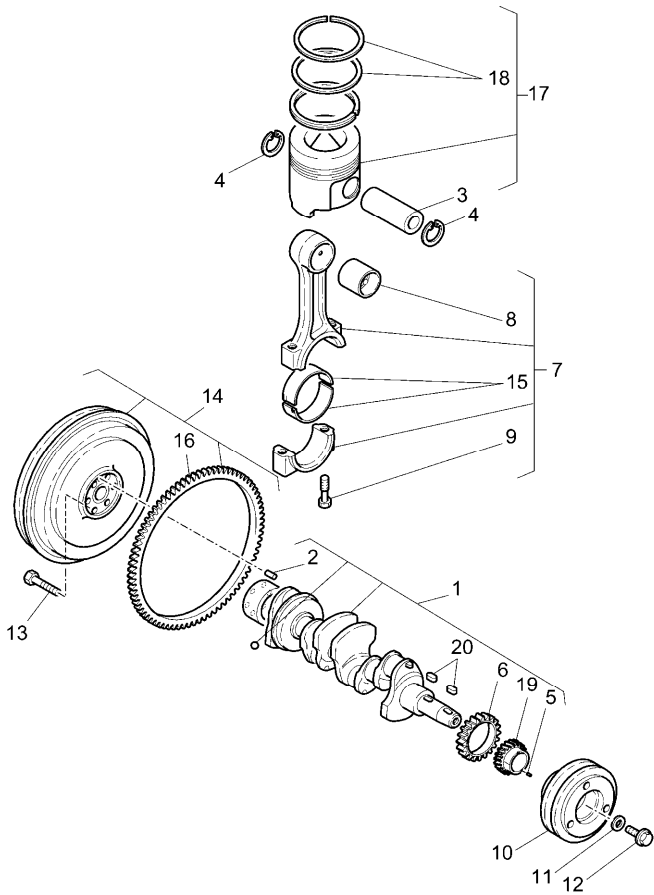
RS11\00012556.png

A-05  
03



A0503

Crankshaft, pistons and connecting rods - - engine yanmar type "4tnv 88"



Inglese

17	3681365M1	T-A	17:50	4	Piston
17	3681367M1	A		4	Piston
		T-A	17:50		
18	3681366M1	!	17	4	Kit
		(X)	1.3.6.1		
		T-A	17:50		
18	3681368M1	!	17	4	Kit
		A			
		T-A	17:50		
19	3677974M1	!	1	1	Gear
		●	4206674M1(1)		
		T-A	20:0		
20	3653820M1	!	1	2	Key
!	This is a component of an assembly				
●	Replacement				
(X)	Qty per tractors sold (aa.bbb.ccc.ddd) (aa) for 1,(bbb) 2-10 (ccc) 11-25 (ddd) 26-50				
T-A	Replacement				
A	Over-size (0,25mm) part.				
B	Under-size (0,25mm) part.				

Engine

GM Series Tier 2 (2003-2008) - RS11 - GM50

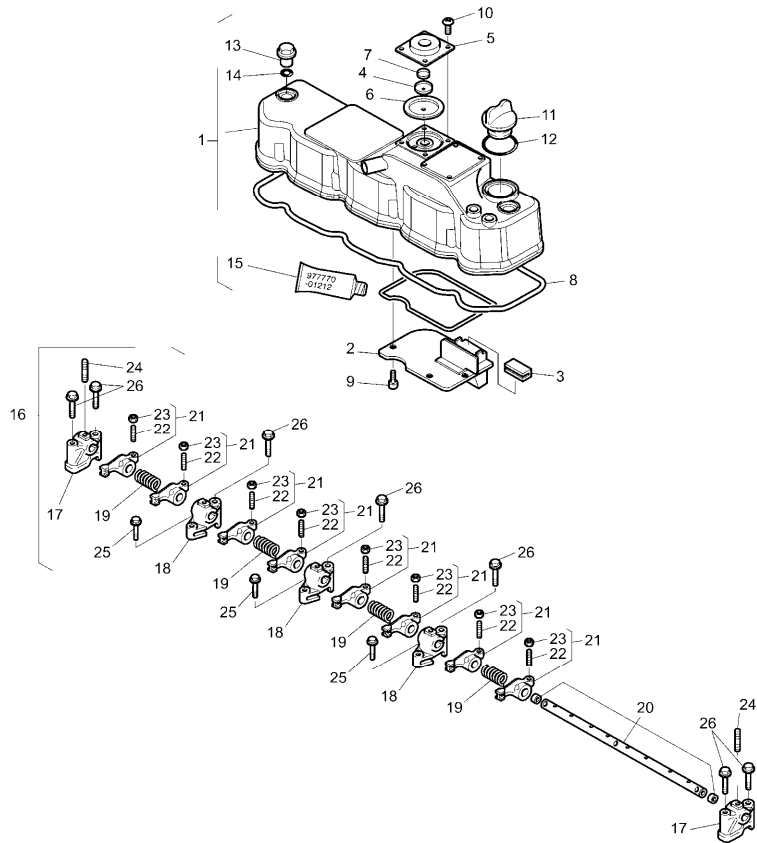
RS11\00012557.png

A-05  
04



A0504

Cylinder head - rocker shaft - engine yanmar type "4tnv 88"



				Inglese
1	3680190M1	T-A	1:50	1 Coperch.
2	3680191M1	!	1	1 Plate
3	3653435M1	!	1	1 Guard
4	3680210M1	!	1	1 Plate
5	3680211M1	!	1	1 Coperch.
6	3680212M1	!	1	1 Diaphragm
7	3680213M1	!	1	1 Spring
8	3680214M1	!	1	1 Gasket
		(X)	1.3.6.1	
		T-A	1:50	
9	3665010M1	!	1	4 Screw
			M5x10	
10	3665010M1	!	1	4 Screw
			M5x10	
11	3653315M1	!	1	1 Plug
		T-A	0:25	
12	3653835M1	!	1	1 O ring
13	3653317M1	!	1	3 Plug
14	3653831M1	!	1	3 O ring
15	3653908M1	!	1	1 Gasket
	● 3653908M2(1)			
16	3680184M1	T-A	2:75	1 Shaft
17	3680185M1	!	16	2 Support
		T-A	2:0	

Engine

GM Series Tier 2 (2003-2008) - RS11 - GM50

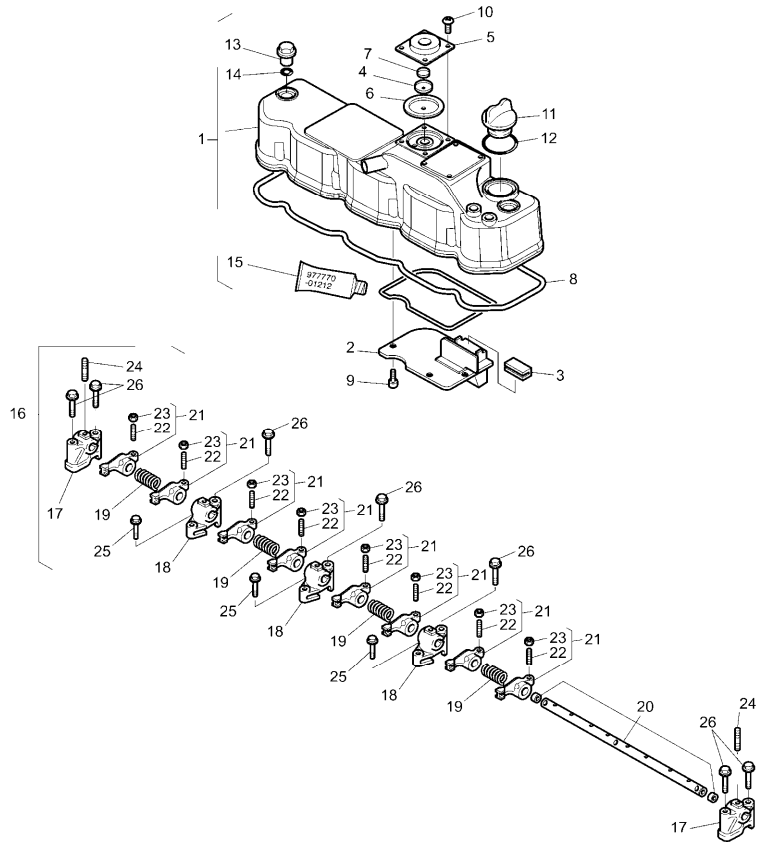
RS11\00012557.png

A-05  
04



A0504

Cylinder head - rocker shaft - engine yanmar type "4tnv 88"



Inglese

18	3680186M1	!	16	3	Support
		T-A	2:0		
19	3653440M1	!	16	4	Spring
20	3680187M1	!	16	1	Shaft
		T-A	2:75		
21	3680188M1	!	16	8	Cam
		T-A	2:0		
22	3653439M1	!	21	8	Screw
		T-A	1:50		
23	3653444M1	!	21	8	Nut
		T-A	1:50		
24	3653875M1	!	16	3	Bolt
			M8x18		
25	3653860M1	!	16	3	Bolt
			M8x25		
26	3653864M1	!	16	7	Bolt
			M8x50		

- ! This is a component of an assembly
- Replacement
- (X) Qty per tractors sold (aa.bbb.ccc.ddd) (aa) for 1,(bbb) 2-10 (ccc) 11-25 (ddd) 26-50
- T-A Replacement

Engine

GM Series Tier 2 (2003-2008) - RS11 - GM50

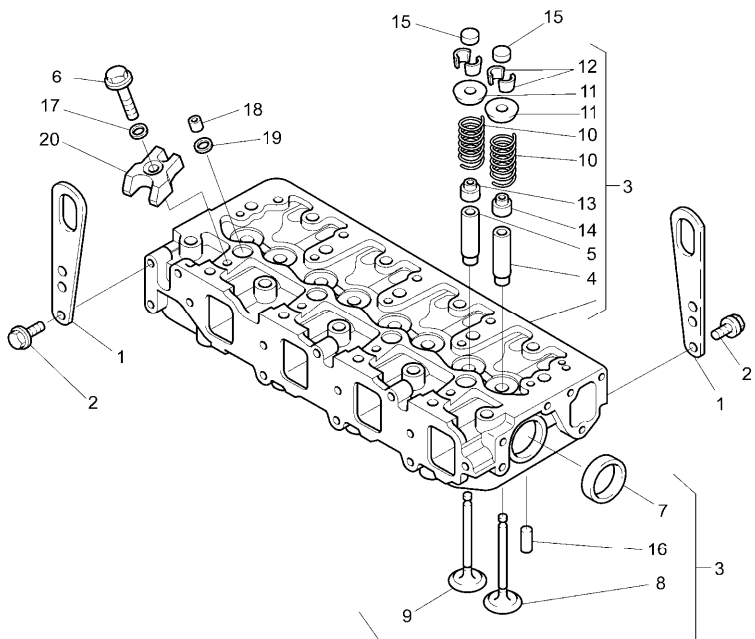
RS11\00012558.png

**A-05  
041**



A05041

Cylinder head - rocker shaft - engine yanmar type "4tnv 88"



**Inglese**

1	3664580M1		2	Stirrup
2	3653857M1		4	Bolt
3	3683143M1	T-A 5:0 T-B 8:75	1	Head
4	3653298M1	! 3 T-A 8:75	4	Guide
5	3653445M1	! 3 T-A 8:75	4	Guide
6	3653861M1	! 3 M8x35	4	Bolt
7	3653890M1	! 3 (X) 2.4.8.1	2	Plug
8	3681364M1	! 3 (X) 3.6.9.1 T-A 7:75	3	Valve
9	3653381M1	! 3 ● 3653381M2(3) (X) T-A 7:75	3	Valve
10	3653792M1	! 3 T-A 7:75	8	Spring
11	3653793M1	! 3 T-A 7:75	8	Nameplate
12	3680181M1	! 3 T-A 7:75	8	Clip



Engine

GM Series Tier 2 (2003-2008) - RS11 - GM50

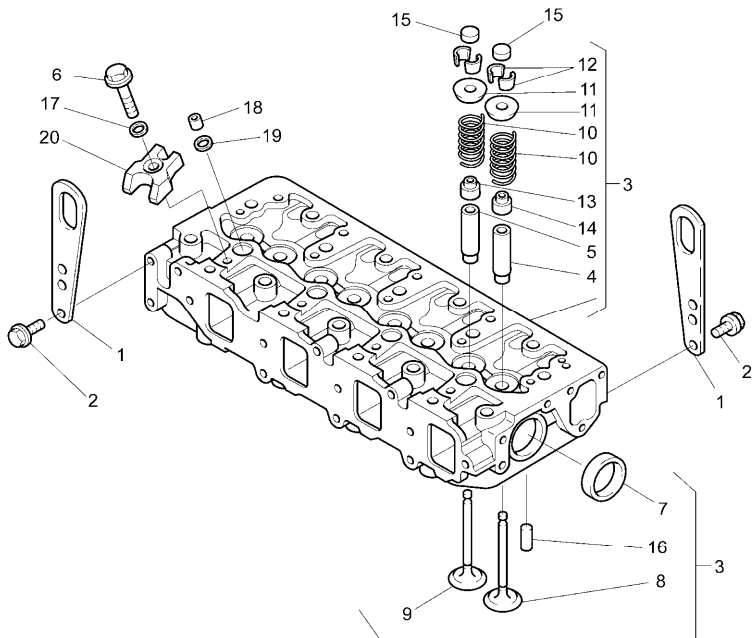
RS11\00012558.png

**A-05  
041**



A05041

Cylinder head - rocker shaft - engine yanmar type "4tnv 88"



		Inglese	
13	3653304M1	! 3	4 Thimble
		T-A 7:75	
14	3653323M1	! 3	4 Thimble
		T-A 7:75	
15	3653443M1	! 3	8 Shim
		T-A 7:75	
16	3653818M1	! 3	2 Pin
17	3680183M1	! 3	4 Washer
18	3677971M1	! 3	4 Guard
19	3653266M1	! 3	4 Washer
20	3680182M1	! 3	4 Clip
		T-A 0:25	
21		⊕ A-05 04	4 Clip

! This is a component of an assembly

⊕ See page - reference number

● Replacement

(X) Qty per tractors sold (aa.bbb.ccc.ddd) (aa) for 1,(bbb) 2-10 (ccc) 11-25 (ddd) 26-50

T-A Replacement

T-B Overhaul

Engine

GM Series Tier 2 (2003-2008) - RS11 - GM50

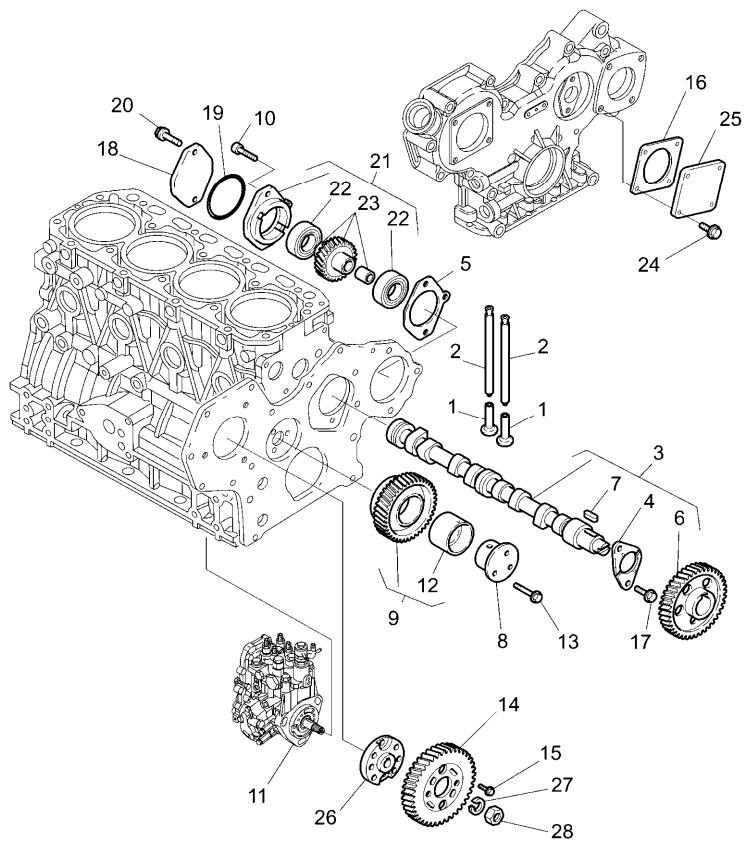
RS11\00012559.png

A-05  
05



A0505

Timing gear and camshaft - - engine yanmar type "4tnv 88"



				Inglese
1	3653447M1	T-A	31:0	8 Tappet
2	3653448M1	T-A	2:75	8 Rod
3	3653896M1	T-A	31:0	1 Shaft
4	3653430M1	!	3	1 Plate
		T-A	31:0	
5	3653800M1	T-A	1:0	1 Gasket
6	3653446M1	!	3	1 Gear
		T-A	31:0	
7	3653820M1	!	3	1 Key
		T-A	31:0	
8	3677975M1	T-A	9:50	1 Shaft
9	3677977M1	T-A	9:50	1 Gear
10	3653879M1		M8x28	1 Bolt
11		⊕	A-05 12 27	1 Pump
12	3677976M1	!	9	1 Bush
		T-A	9:50	
13	3653862M1		M8x40	3 Bolt
14	3677978M1	T-A	9:25	1 Gear
15	3664454M1			4 Screw
16	3653321M1	T-A	0:50	1 Gasket
17	3653857M1		M8x14	2 Bolt
18	3653300M1	T-A	0:50	1 Cover
19	3653839M1	T-A	0:50	1 O ring
20	3653869M1		M10x45	2 Bolt
21	3653363M1	T-A	1:0	1 Kit

Engine

GM Series Tier 2 (2003-2008) - RS11 - GM50

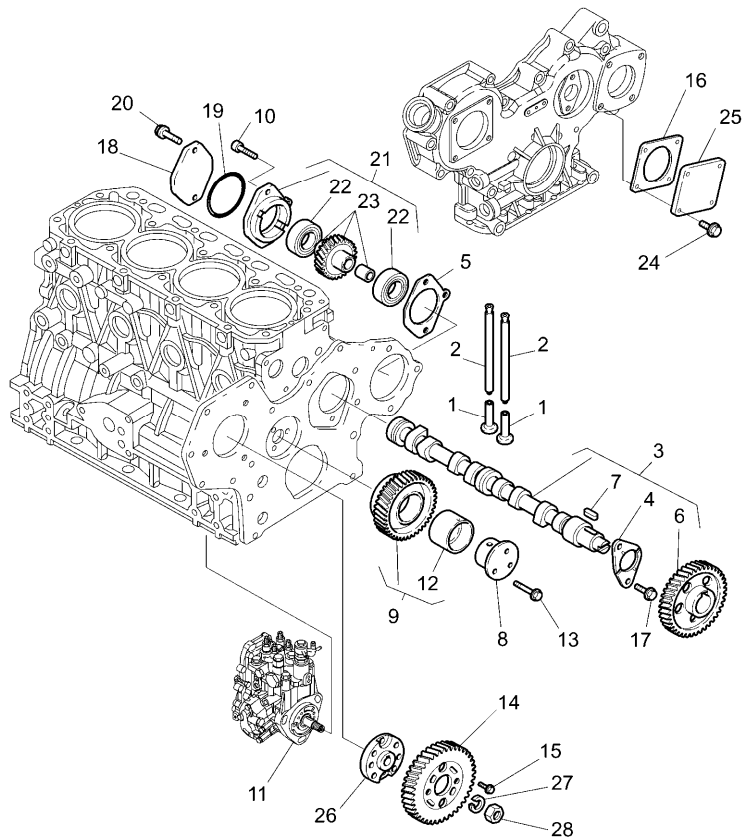
RS11\00012559.png

A-05  
05



A0505

Timing gear and camshaft - - engine yanmar type "4tnv 88"



		Inglese		
22	3653830M1	!	21	2 Bearing
		T-A	1:50	
23	3653364M1	!	21	1 Gear
		T-A	1:50	
24	3653858M1		M8x16	4 Bolt
25	3653320M1	T-A	0:50	1 Cover
26	3678298M1	T-A	9:25	1 Flange
27	3678300M1			1 Washer
28	3678315M1			1 Nut
!		This is a component of an assembly		
⦿		See page - reference number		
T-A		Replacement		

Engine

GM Series Tier 2 (2003-2008) - RS11 - GM50

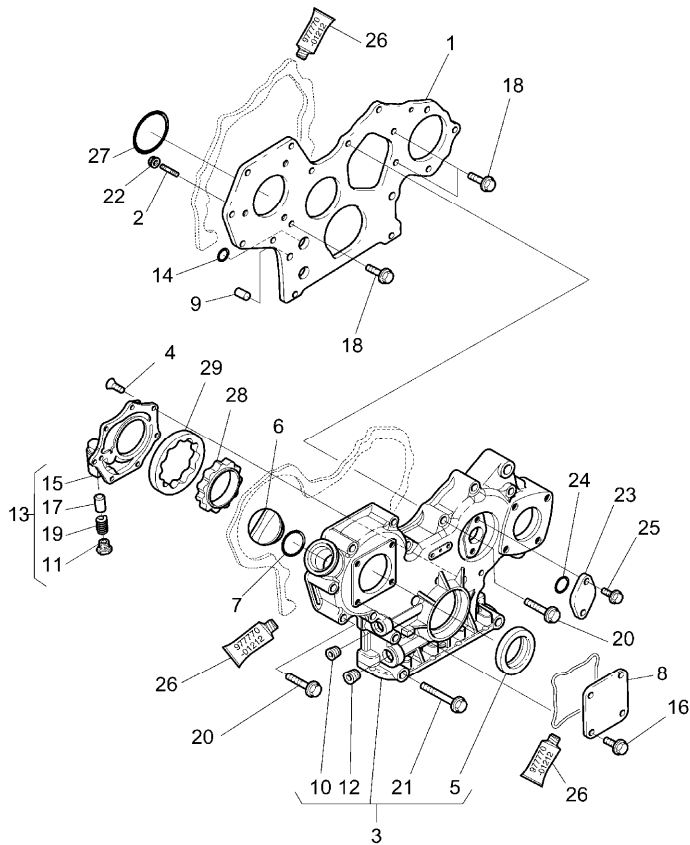
RS11\000012930.png

A-05  
06



A0506

Distribution cover - engine yanmar type "4tnv 88"



				Inglese
1	3678023M1	T-A	4:75	1 Flange
2	3677969M1		M8x25	3 Stud
3	3680176M1	T-A	4:75	1 Coperch.
4	3677981M1		M6x16	7 Screw
5	3653788M1	!	3 72x55x9	1 Seal
		(X)	1.3.6.1	
		T-A	2:50	
6	3653315M1			1 Plug
7	3653835M1	!	6	1 O ring
		T-A	0:25	
8	3653320M1			1 Coperch.
9	3653789M1			2 Bush
10	3665018M1	!	3	1 Plug
11	3678013M1	!	13	1 Plug
12	3678309M1	!	3	1 Plug
13	3677980M1	T-A	4:75	1 Cover
14	3677944M1			4 Ring
15	3677979M1	!	13	1 Cover
16	3653858M1		M8x16	4 Bolt
17	3678295M1	!	13	1 Valve
		T-A	4:75	
18	3653858M1		M8x16	3 Bolt
19	3678043M1	!	13	1 Spring
20	3653865M1		M8x55	11 Bolt

Engine

GM Series Tier 2 (2003-2008) - RS11 - GM50

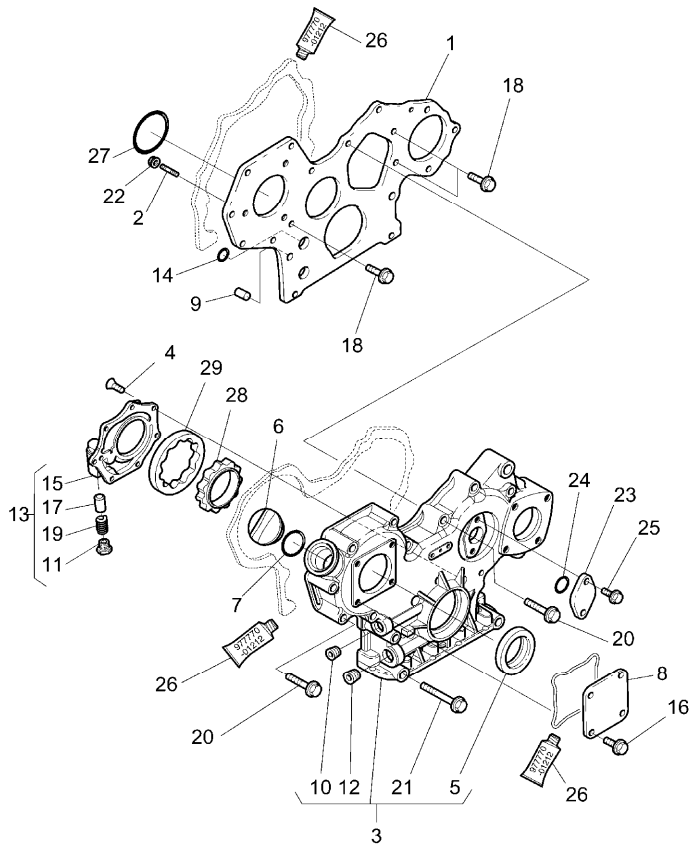
RS11\000012930.png

**A-05  
06**



A0506

Distribution cover - engine yanmar type "4tnv 88"



**Inglese**

21	3664450M1	!	3	3 Bolt
			M8x85	
22	3666905M1		3	Nut
23	3653299M1	T-A	0:25	1 Cover
24	3653841M1	T-A	0:25	1 O ring
25	3653853M1		M6x16	2 Bolt
26	3653908M1	●	3653908M2(1)	1 Gasket
		A		
27	3653310M1		1	O ring
28	3680177M1	T-A	4:75	1 Rotor
29	3680178M1	T-A	4:75	1 Rotor

! This is a component of an assembly

● Replacement

(X) Qty per tractors sold (aa.bbb.ccc.ddd) (aa) for 1,(bbb) 2-10 (ccc) 11-25 (ddd) 26-50

T-A Replacement

A For application, refer to workshop manual

Engine

GM Series Tier 2 (2003-2008) - RS11 - GM50

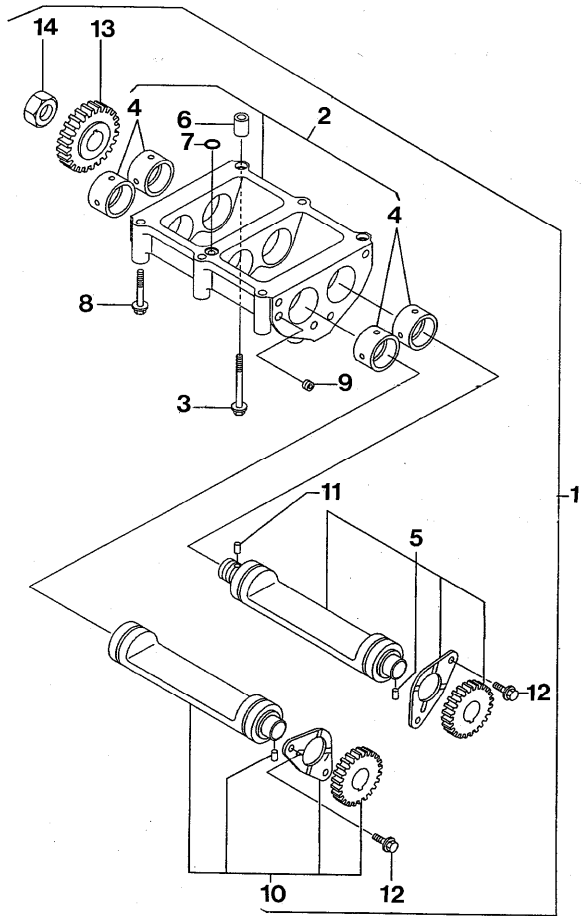
RS11\00001366.png

**A-05  
061**



A05061

Balancer unit - - engine yanmar type "4tnv 88"



				Inglese
1	3653764M1	T-A 2:0		1 Weight
		T-B 4:0		
2	3664476M1	! 1		1 Housing
		T-A 4:0		
3	3653868M1	! 2		2 Bolt
		M8x80		
4	3653743M1	! 2		4 Bush
		T-A 4:0		
5	3653905M1	! 1		1 Kit
6	3653790M1	! 2		2 Bush
7	3653832M1	! 2		1 O ring
		T-A 2:0		
8	3653866M1	! 2		4 Bolt
		M8x60		
9	3653827M1	! 2		1 Plug
10	3653906M1	! 1		1 Kit
		T-A 4:0		
11	3653308M1	! 1		1 Dowel
12	3653857M1	M8x14		4 Bolt
13	3653739M1	! 1		1 Gear
		T-A 4:0		
14	3653334M1	! 1		1 Nut
	!	This is a component of an assembly		
	T-A	Replacement		
	T-B	Overhaul		

***Buy Now***



Our support email:

[ebooklibonline@outlook.com](mailto:ebooklibonline@outlook.com)