

Engine

Mb series tier 2 (limited market) (2005-) - RT61 - MB85

RT61\000030.944.png

A-05
01

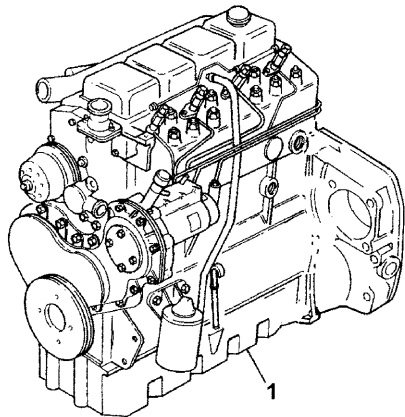


A0501

Engine assembly - atmospheric - with green engine

Inglese

-	A		
1	3670056M91	Perkins re37953	1 Engine
	T-A	9:0	
	T-B	31:0	
T-A	Replacement		
T-B	Overhaul		
A	With green engine		



Engine

Mb series tier 2 (limited market) (2005-) - RT61 - MB85

RT61\000030.944.png

**A-05
015**

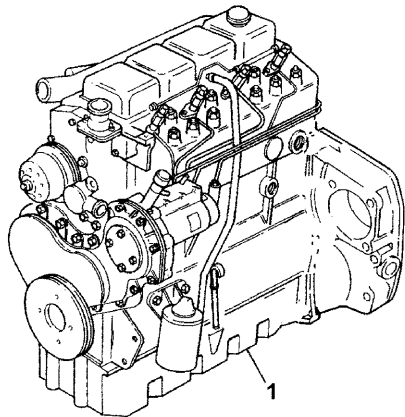


A05015

Engine assembly - atmospheric - with blue engine

Inglese

-	A		
1	3684340M92	Perkins rr81527	1 Engine
	T-A	9:0	
	T-B	31:0	
T-A	Replacement		
T-B	Overhaul		
A	With blue engine		



Engine

Mb series tier 2 (limited market) (2005-) - RT61 - MB85

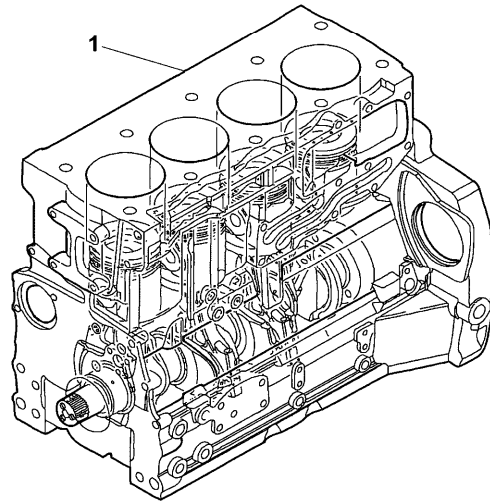
RT61\000031.104.png

A-05
016



A05016

Short engine



- | | | | |
|---|---------|------------------------------------|----------------|
| | | | Inglese |
| 1 | RE40002 | ➡ U491476 t | 1 Engine |
| | | ● 3115A141(1),
32186146(3), RE4 | |
| | | T-A 15:0 | |
| 1 | RE40021 | ➡ U491477 t | 1 Short engine |
- ➡ From serial or engine number
 ➡ Up to serial or engine number
 ● Replacement
 T-A Replacement

Engine

Mb series tier 2 (limited market) (2005-) - RT61 - MB85

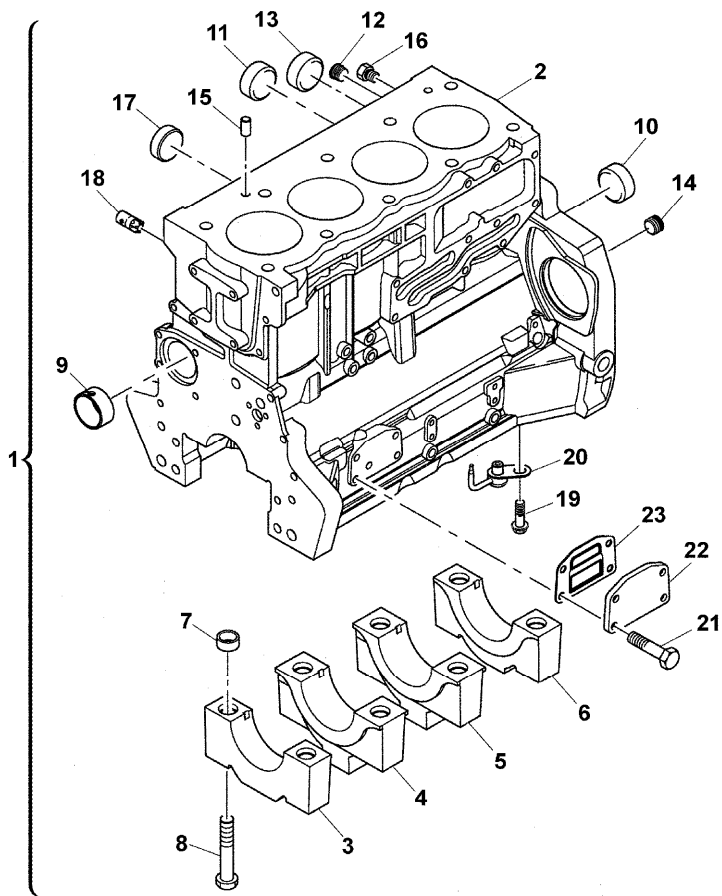
A-05
02



A0502

Cylinder block

RT61\000030.945.png



		Inglese
1	ZZ50312	● ZZ50325(1) 1 Kit
2		T-A 31:0 ! 1 1 Kit
3		➤ Ref.n.1 ! 1 1 Bearing
4		➤ Ref.n.1 ! 1 2 Bearing
5		➤ Ref.n.1 ! 1 1 Bearing
6		➤ Ref.n.1 ! 1 1 Bearing
7	33142111	! 1 10 Manicott
8	32166329	! 1 10 Screw
9	3112D071	! 1 1 Bush
10	3241A012	● 3112D075(1) ! 1 1 Plug
11	3241A011	! 1 2 Plug
12	0650588	! 1 1 Plug
13	0650710	! 1 1 Plug
14	3212P008	! 1 1 Plug
15	3244A009	! 1 2 Dowel
16	32141316	! 1 2 Plug
17	2485A108	! 1 1 Plug
18	3212V006	! 1 1 Plug

Engine

Mb series tier 2 (limited market) (2005-) - RT61 - MB85

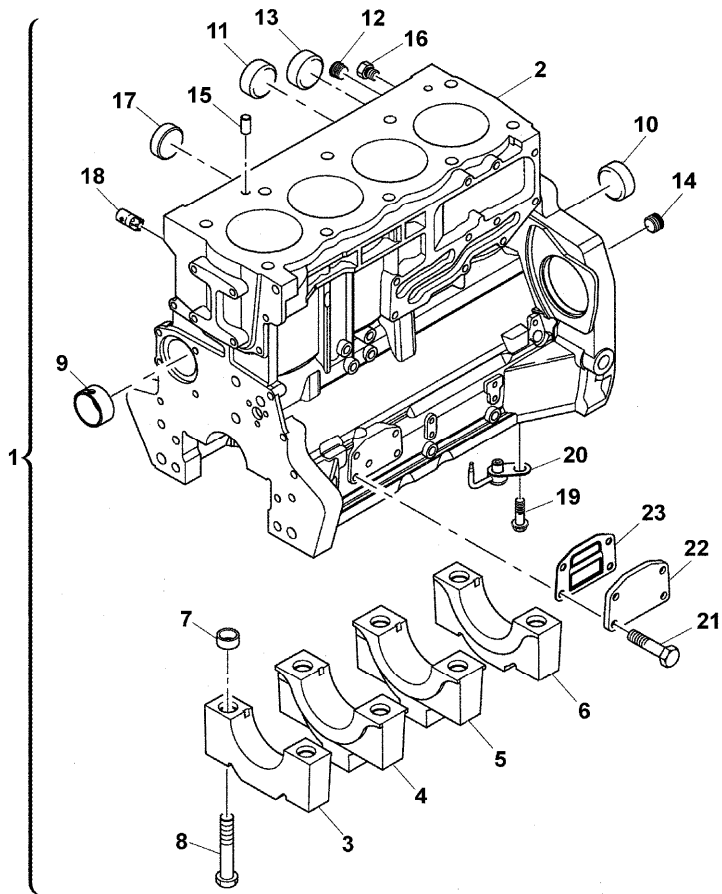
RT61\000030.945.png

A-05
02



A0502

Cylinder block



		Inglese			
19	2314F001	!	1	4	Screw
20	2113A001	!	1	4	Atomiser
		●	2113A003(4)		
20	2113A003	!	1	4	Atomiser
		B			
21	2314H033	!	1	4	Screw
22	3623A009	!	1	1	Plate
		T-A	0:50		
23	3688A039	!	1	1	Gasket
		T-A	0:50		

- ! This is a component of an assembly
- ➡ Not serviced, order
- Replacement
- T-A Replacement
- B For model 8860

Engine

Mb series tier 2 (limited market) (2005-) - RT61 - MB85

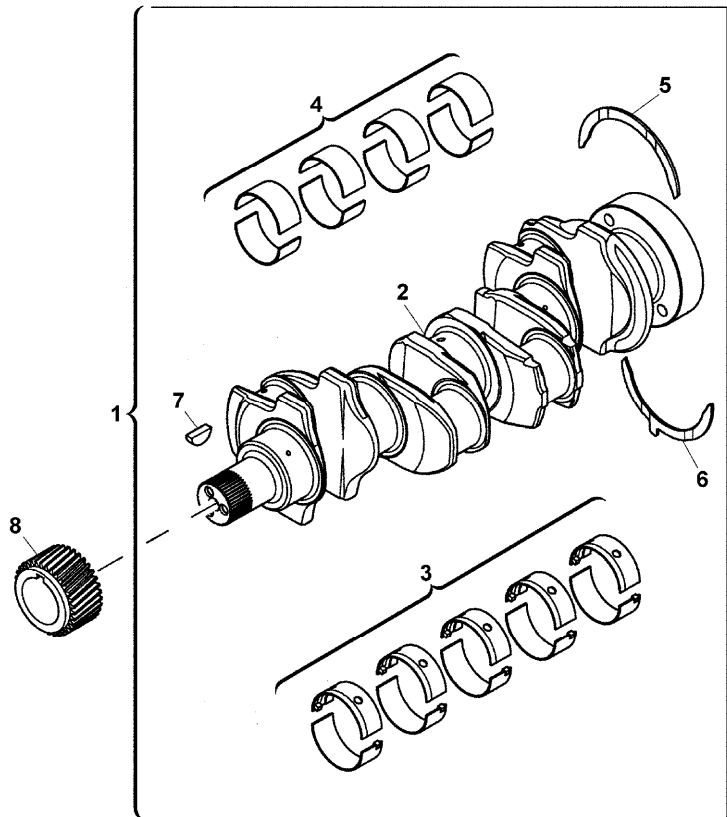
RT61\000030.974.png

A-05
03



A0503

Crankshaft



Inglese

- | | | | | | |
|---|-----------|---|--------------|---|-------|
| 1 | ZZ90224 | ➔ | U491476 t | 1 | Kit |
| | | ● | ZZ90239(1) | | |
| | | | T-A 19:0 | | |
| 1 | ZZ90237 | ➔ | U491477 t | 1 | Shaft |
| 2 | | ! | 1 | 1 | Shaft |
| | | ➔ | Ref.n.1 | | |
| 3 | U5MB0018 | ! | 1 | 1 | Kit |
| | | ➔ | U491476 t | | |
| | | ● | U5MB0033(1) | | |
| | | | T-A 19:0 | | |
| 3 | U5MB0018A | ! | 1 | 1 | Kit |
| | | ⚡ | 0.010" | | |
| | | ➔ | U491476 t | | |
| | | ● | U5MB0033A(1) | | |
| | | | T-A 19:0 | | |
| 3 | U5MB0018B | ! | 1 | 1 | Kit |
| | | ⚡ | 0.020" | | |
| | | ➔ | U491476 t | | |
| | | ● | U5MB0033B(1) | | |
| | | | T-A 19:0 | | |
| 3 | U5MB0018C | ! | 1 | 1 | Kit |
| | | ⚡ | 0.030" | | |
| | | ➔ | U491476 t | | |
| | | ● | N.L.A.(1) | | |
| | | | T-A 19:0 | | |

Engine

Mb series tier 2 (limited market) (2005-) - RT61 - MB85

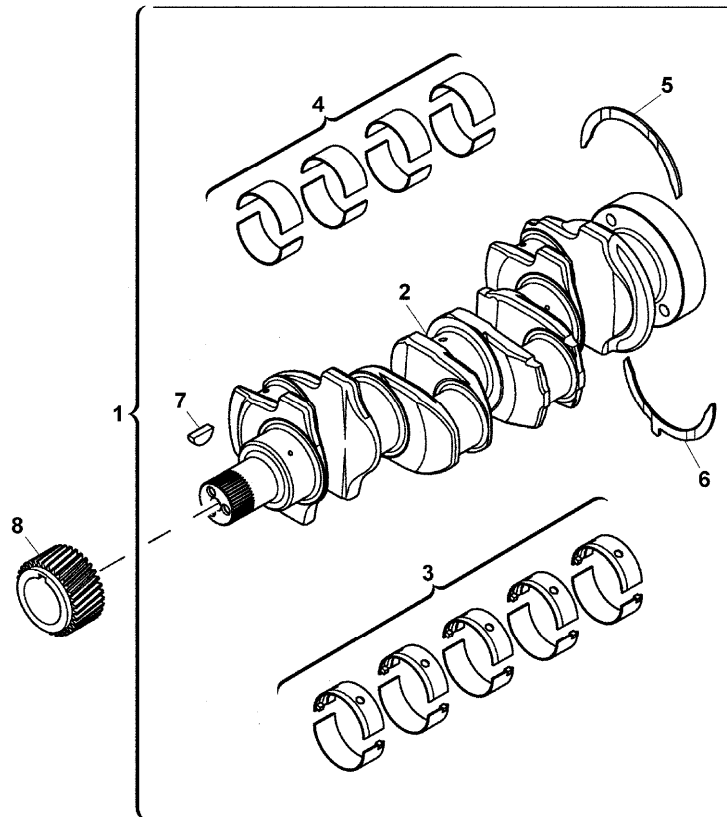
A-05
03



A0503

Crankshaft

RT61\000030.974.png



Inglese

3	U5MB0033	!	1	1 Kit
		➔	U491477 t	
3	U5MB0033A	!	1	1 Kit
		⊗	-0,25mm	
		➔	U491477 t	
3	U5MB0033B	!	1	1 Kit
		⊗	-0,50mm	
		➔	U491477 t	
3	U5MB0033C	!	1	1 Kit
		⊗	-0,75mm	
		➔	U491477 t	
		●	N.L.A.(1)	
4	T400002	!	1	1 Kit
		➔	U491477 t	
		●	T410927(1)	
4	U5ME0026	!	1	1 Kit
		➔	U491476 t	
		●	U5ME0034(1)	
4	U5ME0026A	!	1	1 Kit
		⊗	+0,25mm	
		➔	U491476 t	
		●	U5ME0034A(1)	
4	U5ME0026B	!	1	1 Kit
		⊗	+0,50mm	
		➔	U491476 t	
		●	U5ME0034B(1)	

Engine

Mb series tier 2 (limited market) (2005-) - RT61 - MB85

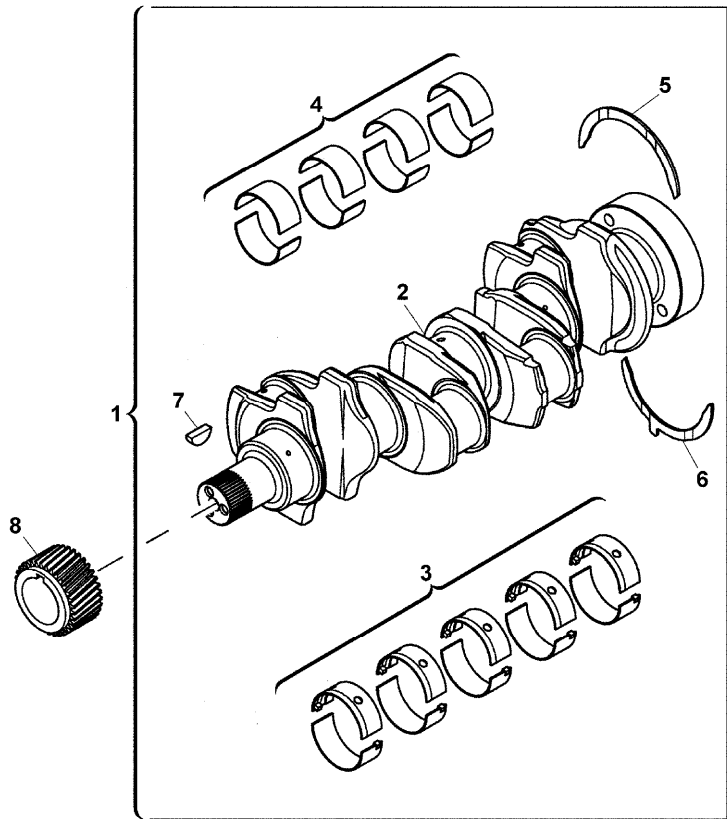
RT61\000030.974.png

A-05
03



A0503

Crankshaft



Inglese

4	U5ME0026C	!	1	1 Kit
		⚡	+0,75mm	
		➔	U491476 t	
		●	U5ME0034C(1)	
5	31137312	!	1	2 Ring
		⚡	0.007"	
		T-A	19:0	
5	31137551	!	1	2 Washer
6	31137322	!	1	2 Ring
		⚡	0.007"	
		T-A	19:0	
6	31137561	!	1	2 Washer
7	0500012	!	1	1 Key
8	3117C221	T-A	13:0	1 Gear

- ! This is a component of an assembly
- ➔ From serial or engine number
- ➔ Up to serial or engine number
- ⚡ Not serviced, order
- ⚡ Shim
- Replacement
- T-A Replacement

Engine

Mb series tier 2 (limited market) (2005-) - RT61 - MB85

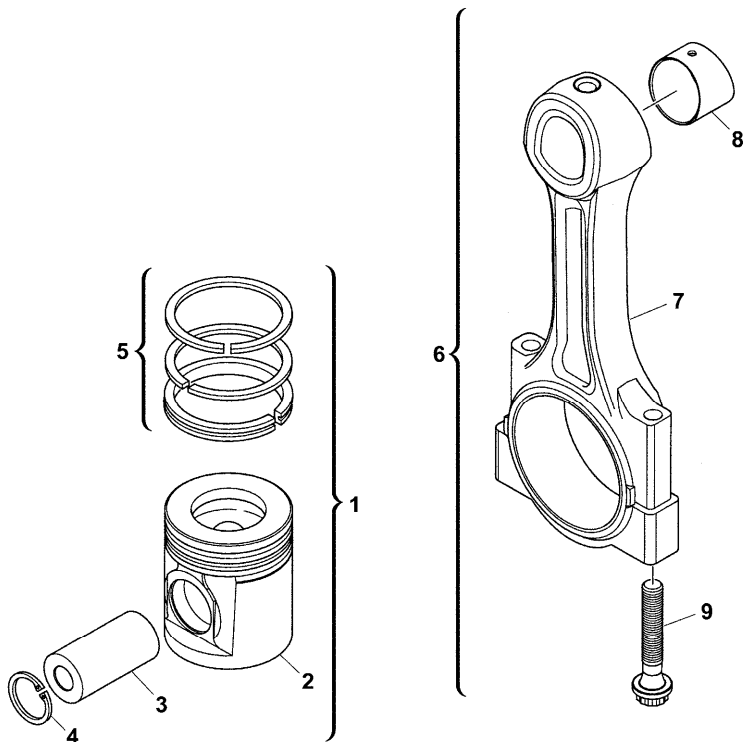
A-05
04



A0504

Pistons and connecting rods

RT61\000030.947.png



Inglese

-		A			
1	4115P011	T-A 14:0		4	Kit
2		! 1		1	Piston
		➡ Ref.n.1			
3		! 1		1	Piston
		➡ Ref.n.1			
4	2721332	! 1		2	Ring
5	UPRK0003	! 1		1	Kit
		(X) 1.3.5.			
		T-A 11:25			
6	4115C311	➡ U491477 t		4	Kit
		B			
		T-A 14:0			
6	4115C312	➡ U491477 t		4	Kit
		C			
		T-A 14:0			
6	4115C313	➡ U491477 t		4	Kit
		D			
		T-A 14:0			
6	4115C314	➡ U491477 t		4	Kit
		E			
		T-A 14:0			
6	4115C315	➡ U491477 t		4	Kit
		F			
		T-A 14:0			

Engine

Mb series tier 2 (limited market) (2005-) - RT61 - MB85

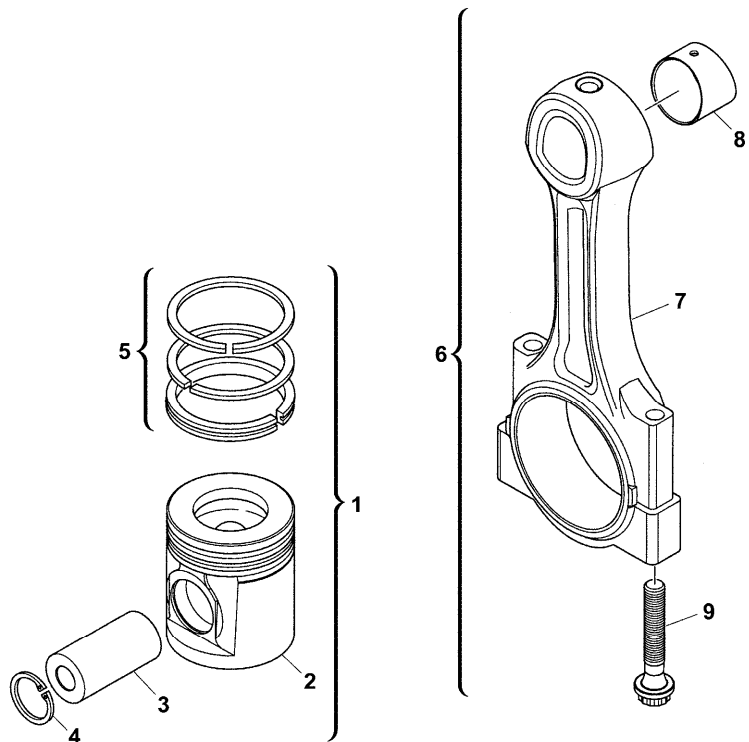
RT61\000030.947.png

A-05
04



A0504

Pistons and connecting rods



		Inglese	
6	4115C316	➡ U491477 t	4 Kit
		G	
		T-A 14:0	
6	4115C361	➡ U491478 t	4 Conrod
		B	
6	4115C362	➡ U491478 t	4 Conrod
		C	
6	4115C363	➡ U491478 t	4 Conrod
		D	
6	4115C364	➡ U491478 t	4 Conrod
		E	
6	4115C365	➡ U491478 t	4 Conrod
		F	
6	4115C366	➡ U491478 t	4 Conrod
		G	
7		! 6	1 Conrod
		➡ Ref.n.6	
8	3112A005	! 6	1 Bush
9	3212V003	! 6	2 Screw
		➡ U491476 t	
9	T400001	! 6	2 Screw
		➡ U491477 t	

! This is a component of an assembly

➡ From serial or engine number

➡ Up to serial or engine number

➡ Not serviced, order

(X) Qty per tractors sold (aa.bbb.ccc.ddd) (aa) for 1,(bbb) 2-10 (ccc) 11-25 (ddd) 26-50

Engine

Mb series tier 2 (limited market) (2005-) - RT61 - MB85

A-05
04

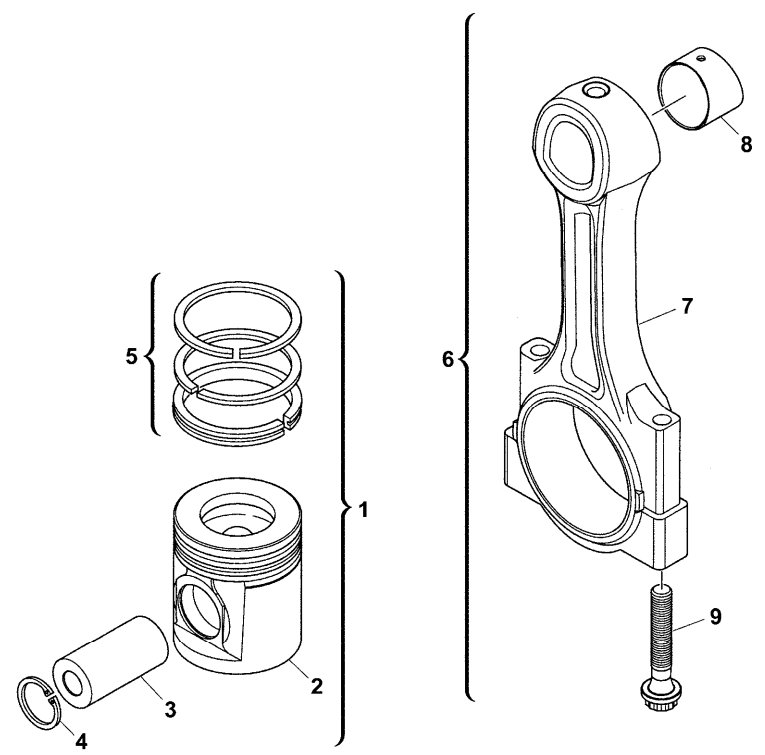


A0504

Pistons and connecting rods

RT61\000030.947.png

- T-A Replacement
- A With green engine
- B Red
- C Orange
- D White
- E Green
- F Purple
- G Blue



Engine

Mb series tier 2 (limited market) (2005-) - RT61 - MB85

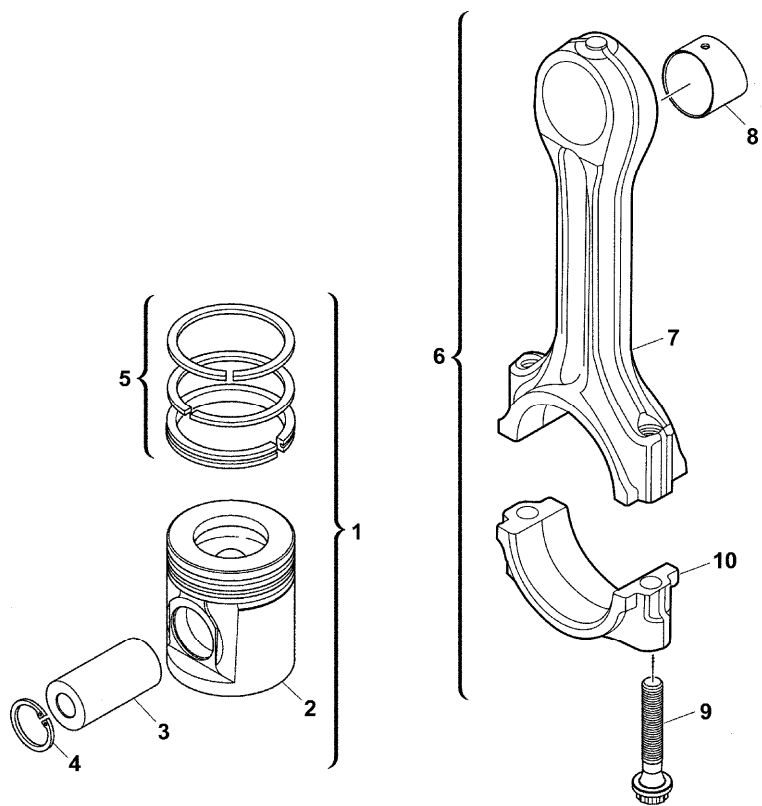
RT61\000030.975.png

**A-05
045**



A05045

Pistons and connecting rods



Inglese

-	A		
1 4115P011	T-A 19:0	4 Kit	
1 4115P012	⚡ (+)0.50mm	4 Kit	
1 4115P013	⚡ (+)1.00mm	4 Kit	
2	! 1	1 Piston	
	➡ Ref.n.1		
3	! 1	1 Piston	
	➡ Ref.n.1		
4 2721332	! 1	2 Ring	
5 UPRK0003	! 1	1 Kit	
	(X) 1.3.5.		
	T-A 19:0		
5 UPRK0003B	! 1	1 Kit	
	⚡ (+)0.50mm		
5 UPRK0003D	! 1	1 Kit	
	⚡ (+)1.00mm		
6 4115C311	➡ U491477 t	4 Kit	
	B		
	T-A 19:0		
6 4115C312	➡ U491477 t	4 Kit	
	C		
	T-A 19:0		
6 4115C313	➡ U491477 t	4 Kit	
	D		
	T-A 19:0		

Engine

Mb series tier 2 (limited market) (2005-) - RT61 - MB85

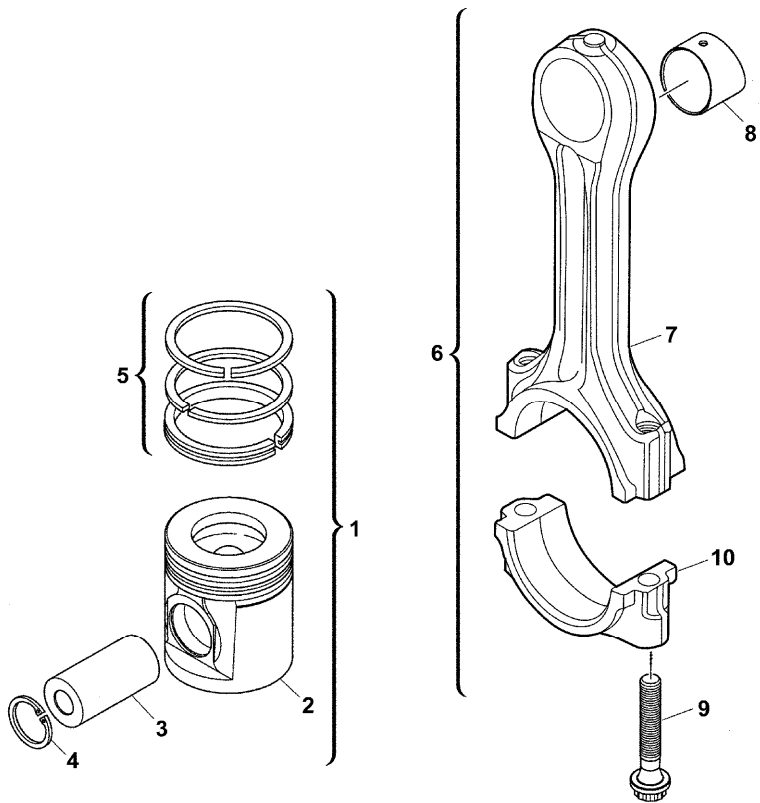
RT61\000030.975.png

**A-05
045**



A05045

Pistons and connecting rods



		Inglese	
6	4115C314	➡ U491477 t	4 Kit
		E	
		T-A 19:0	
6	4115C315	➡ U491477 t	4 Kit
		F	
		T-A 19:0	
6	4115C316	➡ U491477 t	4 Kit
		G	
		T-A 19:0	
6	4115C361	➡ U491478 t	4 Conrod
		B	
6	4115C362	➡ U491478 t	4 Conrod
		C	
6	4115C363	➡ U491478 t	4 Conrod
		D	
6	4115C364	➡ U491478 t	4 Conrod
		E	
6	4115C365	➡ U491478 t	4 Conrod
		F	
6	4115C366	➡ U491478 t	4 Conrod
		G	
7	!	6	1 Conrod
		➡ Ref.n.6	
8	3112A005	!	6
			1 Bush
9	3212V003	!	6
			2 Screw
		➡ U491476 t	

Engine

Mb series tier 2 (limited market) (2005-) - RT61 - MB85

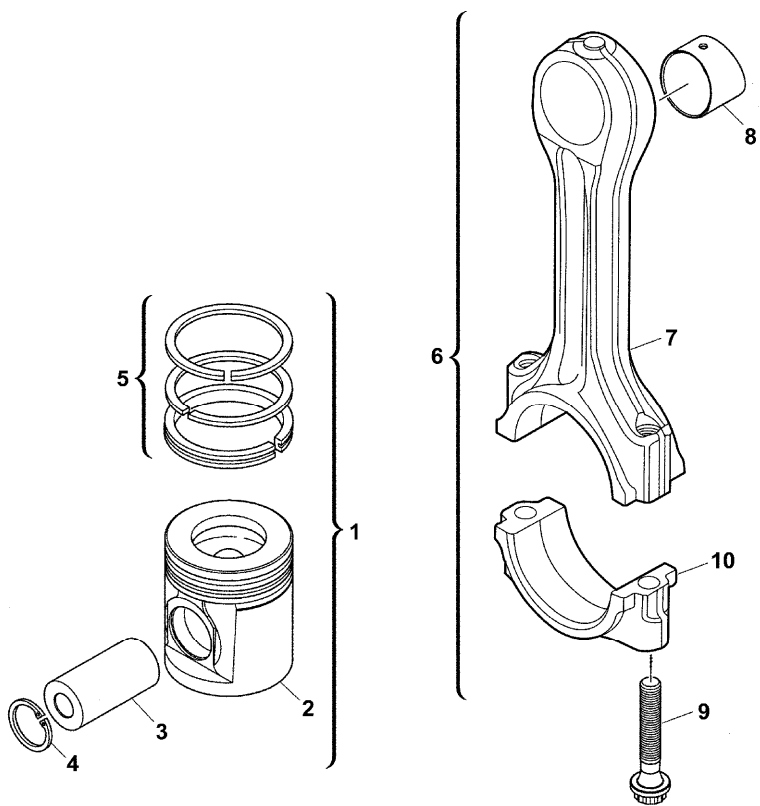
A-05
045



A05045

Pistons and connecting rods

RT61\000030.975.png



Inglese

9	T400001	!	6	2	Screw
		➔	U491477 t		
10		!	6	1	Guard
		➔	Ref.n.6		

! This is a component of an assembly

➔ From serial or engine number

➔ Up to serial or engine number

➔ Not serviced, order

➔ Shim

(X) Qty per tractors sold (aa.bbb.ccc.ddd) (aa) for 1,(bbb) 2-10 (ccc) 11-25 (ddd) 26-50

T-A Replacement

A With blue engine

B Red

C Orange

D White

E Green

F Purple

G Blue

Buy Now



Our support email:

ebooklibonline@outlook.com