

Blue engine

Mb series tier 2 (limited market) (2005-) - RT61 - MB75

RT61\000030.944.png

A-05
01



A0501

Engine assembly - atmospheric - with blue engine

Inglese

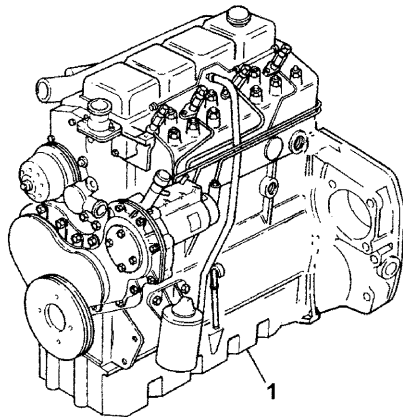
1 3684339M92 Perkins rr81523 1 Engine

T-A 9:0

T-B 31:0

T-A Replacement

T-B Overhaul



Blue engine

Mb series tier 2 (limited market) (2005-) - RT61 - MB75

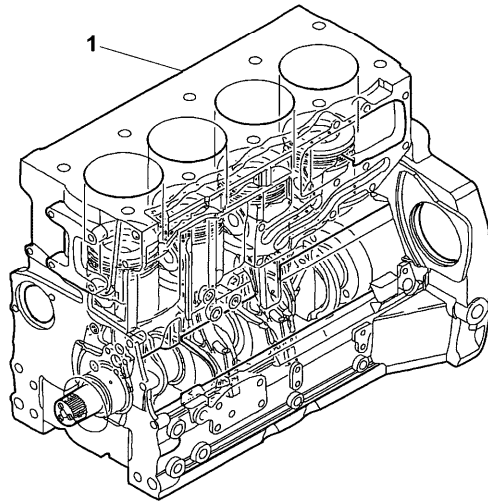
RT61\000031.104.png

A-05
015



A05015

Short engine



- | | | | |
|---|---------|------------------------------------|----------------|
| | | | Inglese |
| 1 | RE40002 | ➡ U491476 t | 1 Engine |
| | | ● 3115A141(1),
32186146(3), RE4 | |
| | | T-A 15:0 | |
| 1 | RE40021 | ➡ U491477 t | 1 Short engine |
- ➡ From serial or engine number
 ➡ Up to serial or engine number
 ● Replacement
 T-A Replacement

Blue engine

Mb series tier 2 (limited market) (2005-) - RT61 - MB75

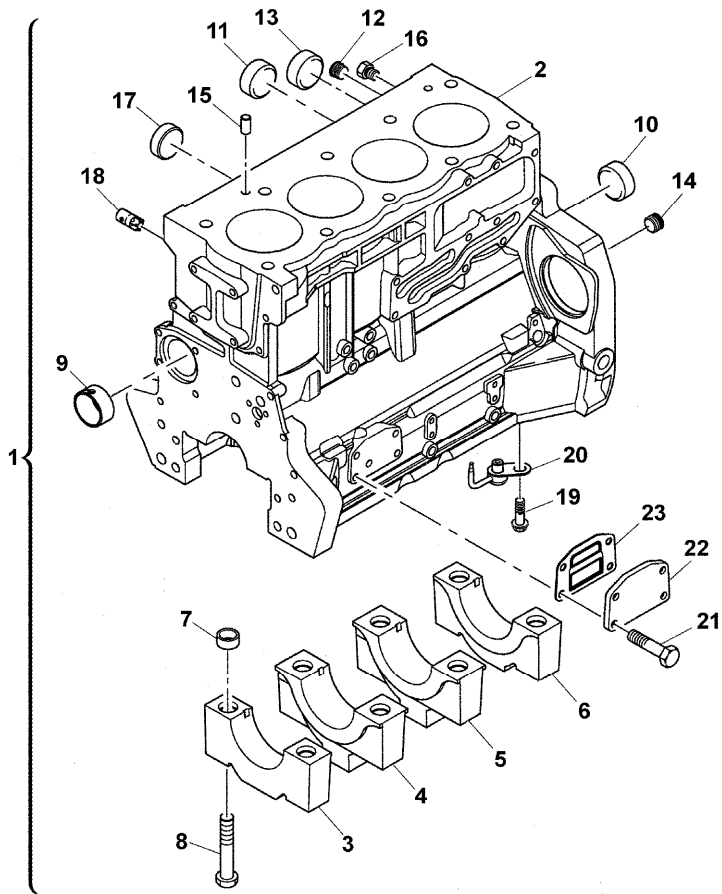
RT61\000030.945.png

A-05
02



A0502

Cylinder block



		Inglese	
1	ZZ50312	● ZZ50325(1)	1 Kit
		T-A 31:0	
2		! 1	1 Kit
		➡ Ref.n.1	
3		! 1	1 Bearing
		➡ Ref.n.1	
4		! 1	2 Bearing
		➡ Ref.n.1	
5		! 1	1 Bearing
		➡ Ref.n.1	
6		! 1	1 Bearing
		➡ Ref.n.1	
7	33142111	! 1	10 Manicott
8	32166329	! 1	10 Screw
9	3112D071	! 1	1 Bush
		● 3112D075(1)	
10	3241A012	! 1	1 Plug
11	3241A011	! 1	2 Plug
12	0650588	! 1	1 Plug
13	0650710	! 1	1 Plug
14	3212P008	! 1	1 Plug
15	3244A009	! 1	2 Dowel
16	32141316	! 1	2 Plug
17	2485A108	! 1	1 Plug
18	3212V006	! 1	1 Plug

Blue engine

Mb series tier 2 (limited market) (2005-) - RT61 - MB75

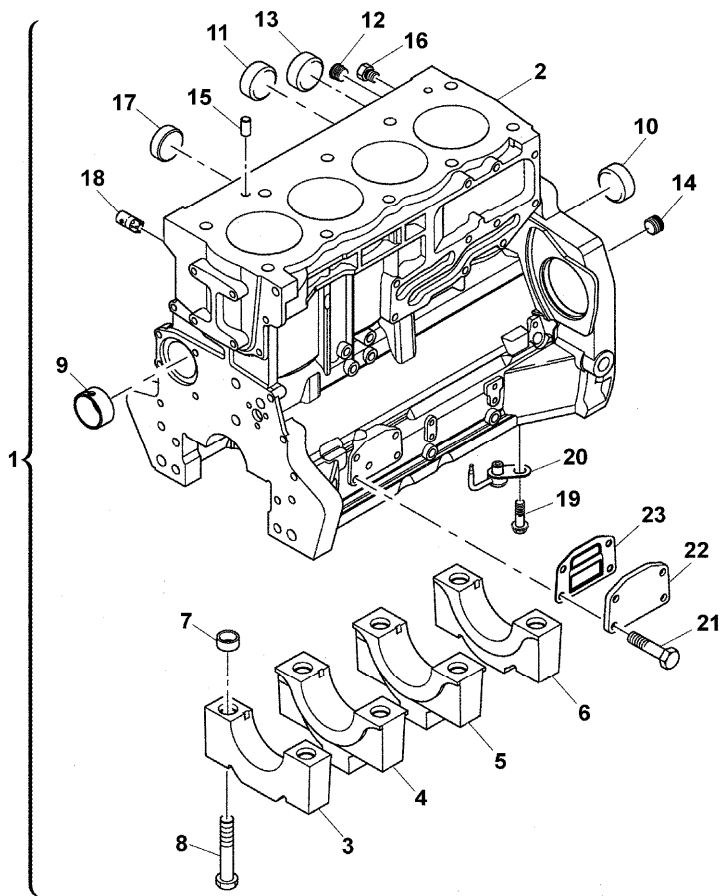
RT61\000030.945.png

A-05
02



A0502

Cylinder block



		Inglese			
19	2314F001	!	1	4	Screw
20	2113A001	!	1	4	Atomiser
		●	2113A003(4)		
20	2113A003	!	1	4	Atomiser
21	2314H033	!	1	4	Screw
22	3623A009	!	1	1	Plate
		T-A	0:50		
23	3688A039	!	1	1	Gasket
		T-A	0:50		

- ! This is a component of an assembly
- ▣ Not serviced, order
- Replacement
- T-A Replacement

Blue engine

Mb series tier 2 (limited market) (2005-) - RT61 - MB75

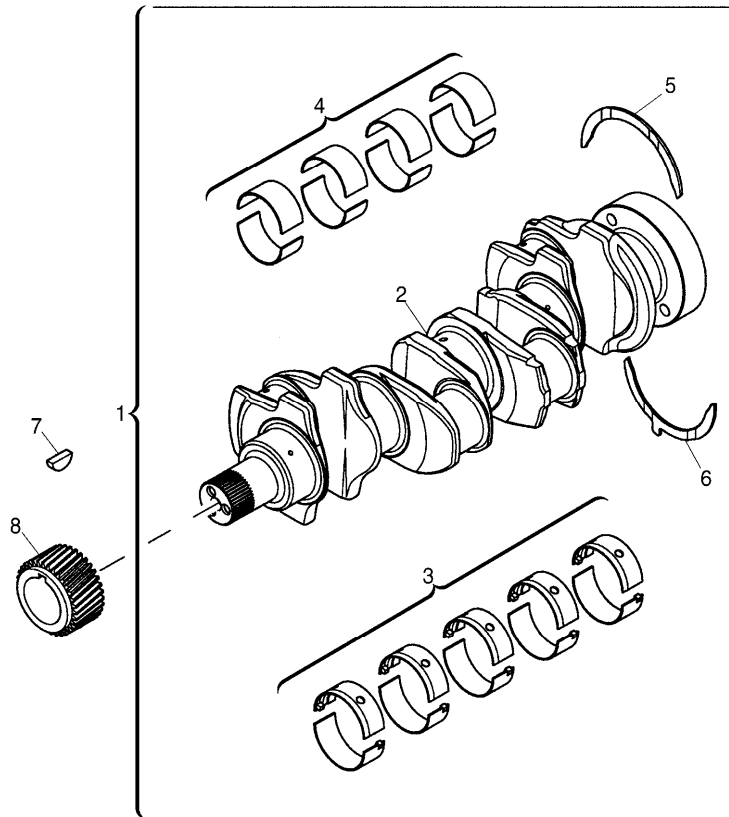
RT61\000020524.png

**A-05
03**



A0503

Crankshaft



Inglese

1	ZZ90224	➔	U491476 t	1	Kit
		●	ZZ90239(1)		
		T-A	15:0		
1	ZZ90237	➔	U491477 t	1	Shaft
2		!	1	1	Shaft
		➔	Ref.n.1		
3	U5MB0018	!	1	1	Kit
		➔	U491476 t		
		●	U5MB0033(1)		
		T-A	15:0		
3	U5MB0018A	!	1	1	Kit
		⌘	0.010"		
		➔	U491476 t		
		●	U5MB0033A(1)		
		T-A	15:0		
3	U5MB0018B	!	1	1	Kit
		⌘	0.020"		
		➔	U491476 t		
		●	U5MB0033B(1)		
		T-A	15:0		
3	U5MB0018C	!	1	1	Kit
		⌘	0.030"		
		➔	U491476 t		
		●	N.L.A.(1)		
		T-A	15:0		

Blue engine

Mb series tier 2 (limited market) (2005-) - RT61 - MB75

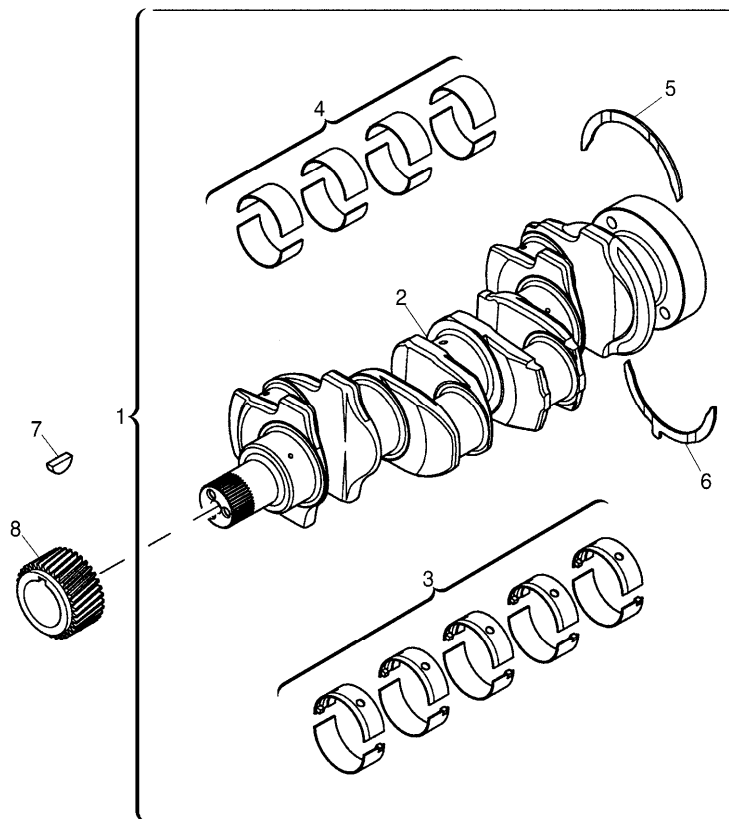
A-05
03



A0503

Crankshaft

RT61\000020524.png



Inglese

3	U5MB0033	!	1	1 Kit
		➔	U491477 t	
3	U5MB0033A	!	1	1 Kit
		⊗	-0,25mm	
		➔	U491477 t	
3	U5MB0033B	!	1	1 Kit
		⊗	-0,50mm	
		➔	U491477 t	
3	U5MB0033C	!	1	1 Kit
		⊗	-0,75mm	
		➔	U491477 t	
		●	N.L.A.(1)	
4	T400002	!	1	1 Kit
		➔	U491477 t	
		●	T410927(1)	
4	U5ME0026	!	1	1 Kit
		➔	U491476 t	
		●	U5ME0034(1)	
4	U5ME0026A	!	1	1 Kit
		⊗	+0,25mm	
		➔	U491476 t	
		●	U5ME0034A(1)	
4	U5ME0026B	!	1	1 Kit
		⊗	+0,50mm	
		➔	U491476 t	
		●	U5ME0034B(1)	

Blue engine

Mb series tier 2 (limited market) (2005-) - RT61 - MB75

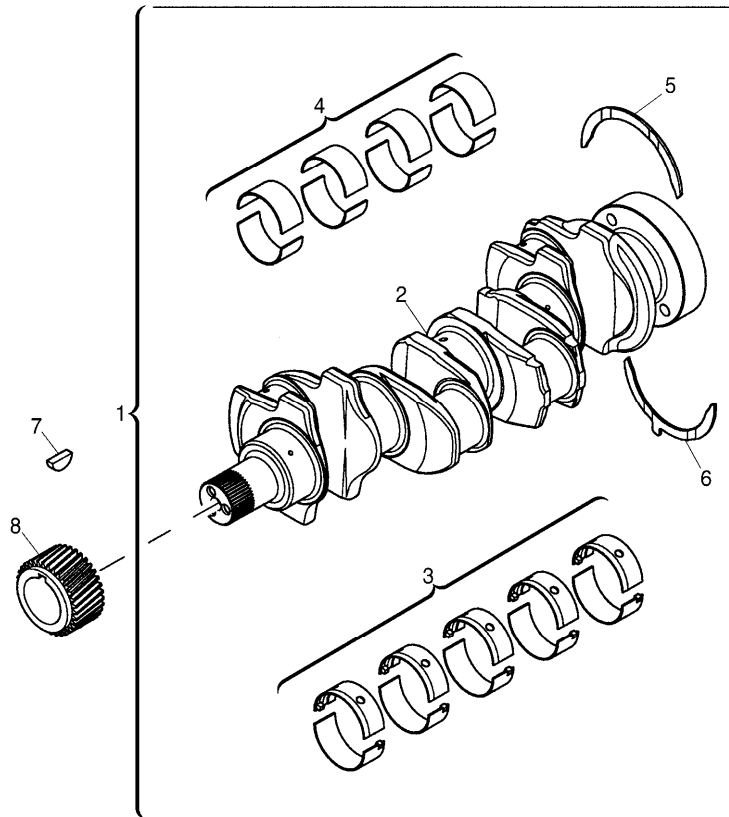
RT61\000020524.png

**A-05
03**



A0503

Crankshaft



			Inglese
4	U5ME0026C	! 1	1 Kit
		▲ +0,75mm	
		➔ U491476 t	
		● U5ME0034C(1)	
5	31137312	! 1	2 Ring
		▲ 0.007"	
		T-A 15:0	
5	31137551	! 1	2 Washer
		T-A 15:0	
6	31137322	! 1	2 Ring
		▲ 0.007"	
		T-A 15:0	
6	31137561	! 1	2 Washer
		T-A 15:0	
7	0500012	T-A 10:0	1 Key
8	3117C221	T-A 10:0	1 Gear
	!	This is a component of an assembly	
	➔	From serial or engine number	
	➔	Up to serial or engine number	
	➔	Not serviced, order	
	▲	Shim	
	●	Replacement	
	T-A	Replacement	

Blue engine

Mb series tier 2 (limited market) (2005-) - RT61 - MB75

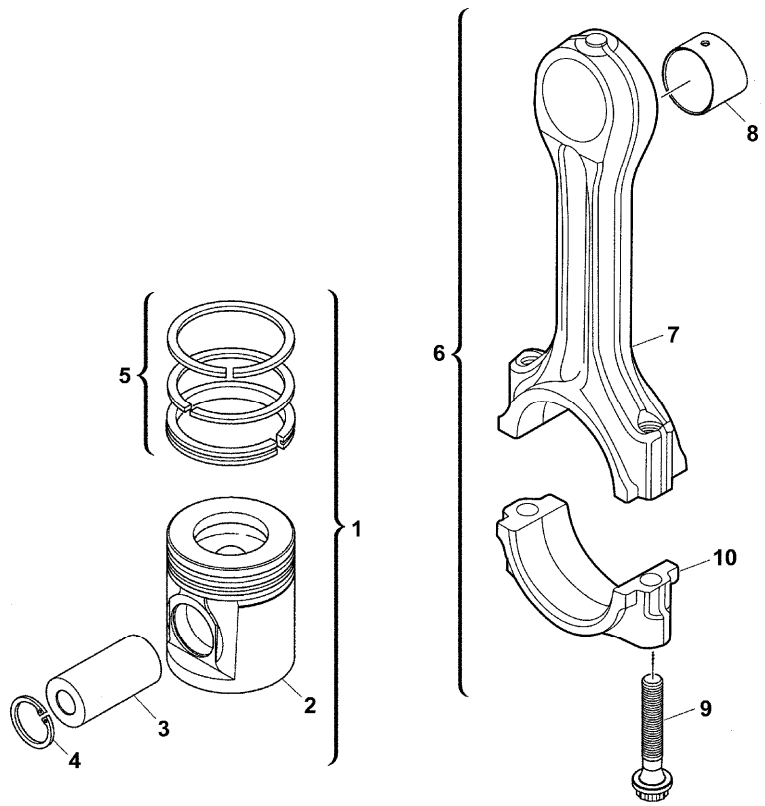
RT61\000030.975.png

**A-05
04**



A0504

Pistons and connecting rods



				Inglese
1	4115P011	T-A	14:0	4 Kit
1	4115P012	⚡	(+)0.50mm	4 Kit
1	4115P013	⚡	(+)1.00mm	4 Kit
2		!	1	1 Piston
		➡	Ref.n.1	
3		!	1	1 Piston
		➡	Ref.n.1	
4	2721332	!	1	2 Ring
5	UPRK0003	!	1	1 Kit
		(X)	1.3.5.	
		T-A	11:25	
5	UPRK0003B	!	1	1 Kit
		⚡	(+)0.50mm	
5	UPRK0003D	!	1	1 Kit
		⚡	(+)1.00mm	
6	4115C311	➡	U491476 t	4 Kit
		A		
		T-A	14:0	
6	4115C312	➡	U491476 t	4 Kit
		B		
		T-A	14:0	
6	4115C313	➡	U491476 t	4 Kit
		C		
		T-A	14:0	

Blue engine

Mb series tier 2 (limited market) (2005-) - RT61 - MB75

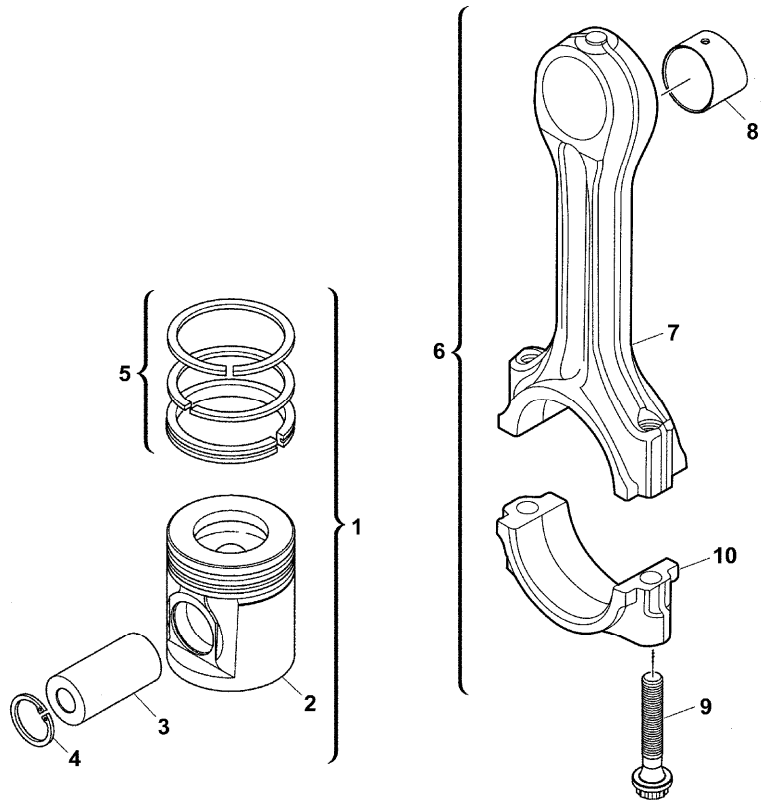
RT61\000030.975.png

A-05
04



A0504

Pistons and connecting rods



		Inglese	
6	4115C314	➡ U491476 t	4 Kit
		D	
		T-A 14:0	
6	4115C315	➡ U491476 t	4 Kit
		E	
		T-A 14:0	
6	4115C316	➡ U491476 t	4 Kit
		F	
		T-A 14:0	
6	4115C361	➡ U491477 t	4 Conrod
		A	
6	4115C362	➡ U491477 t	4 Conrod
		B	
6	4115C363	➡ U491477 t	4 Conrod
		C	
6	4115C364	➡ U491477 t	4 Conrod
		D	
6	4115C365	➡ U491477 t	4 Conrod
		E	
6	4115C366	➡ U491477 t	4 Conrod
		F	
7	!	6	1 Conrod
		➡ Ref.n.6	
8	3112A005	!	6
			1 Bush
9	3212V003	!	6
			2 Screw
		➡ U491476 t	

Blue engine

Mb series tier 2 (limited market) (2005-) - RT61 - MB75

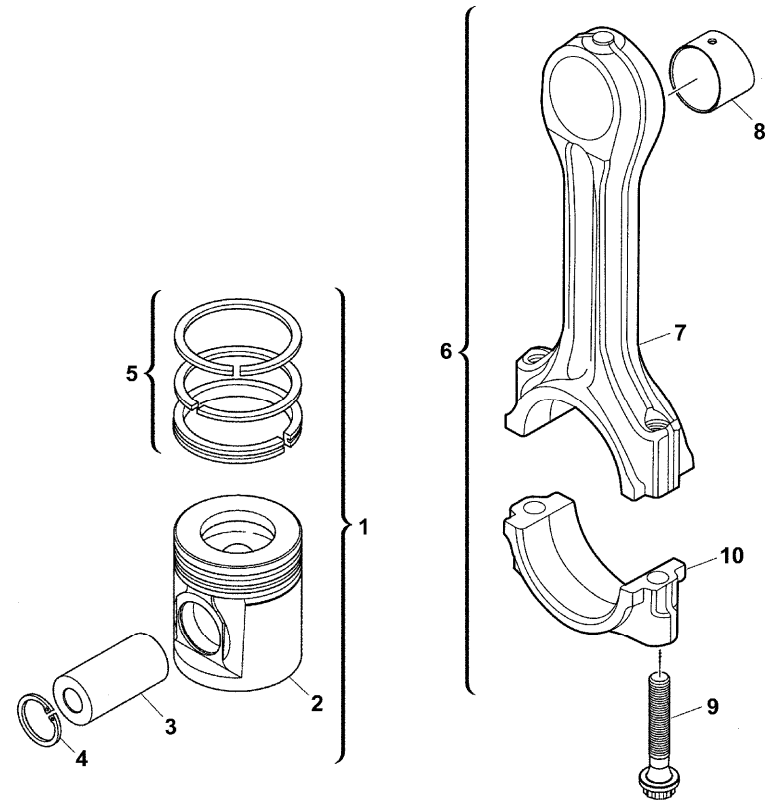
RT61\000030.975.png

A-05
04



A0504

Pistons and connecting rods



		Inglese			
9	T400001	!	6	2	Screw
		➔	U491477 t		
10		!	6	1	Guard
		📄	Ref.n.6		

! This is a component of an assembly

➔ From serial or engine number

➔ Up to serial or engine number

📄 Not serviced, order

⚡ Shim

(X) Qty per tractors sold (aa.bbb.ccc.ddd) (aa) for 1,(bbb) 2-10 (ccc) 11-25 (ddd) 26-50

T-A Replacement

A Red

B Orange

C White

D Green

E Purple

F Blue

Blue engine

Mb series tier 2 (limited market) (2005-) - RT61 - MB75

RT61\000030.948.png

A-05
05



A0505

End cover

Inglese

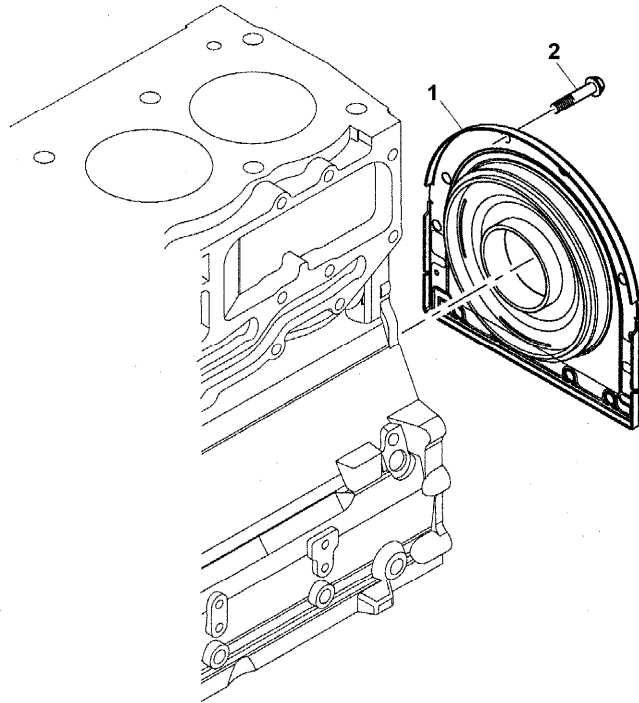
1 2418F704 T-A 9:0

2 3211C002

T-A Replacement

1 Housing

10 Screw



Blue engine

Mb series tier 2 (limited market) (2005-) - RT61 - MB75

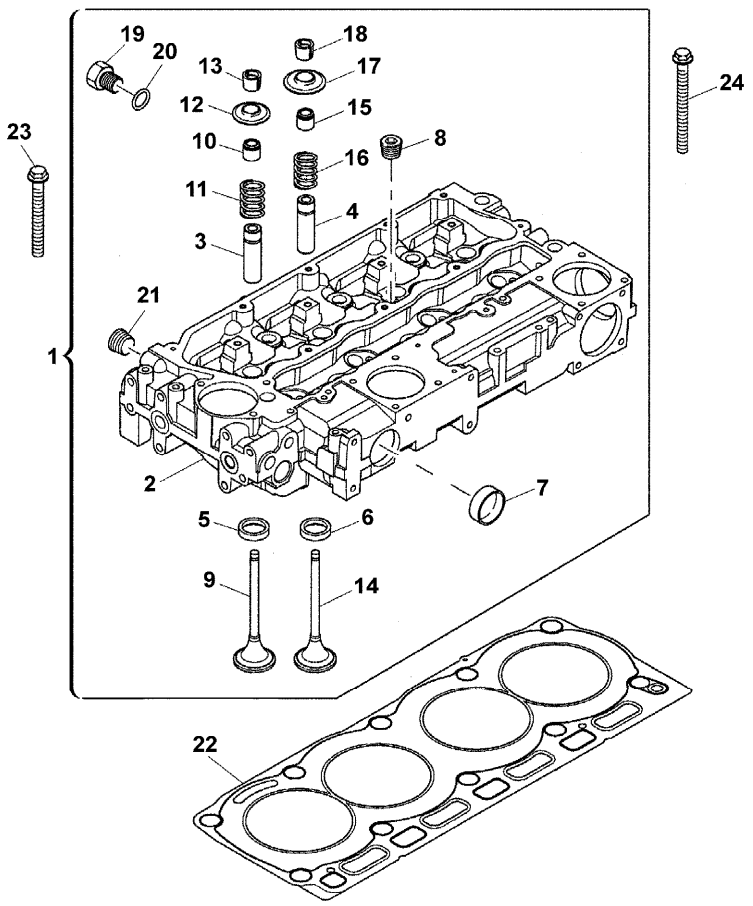
RT61\000030.949.png

A-05
06



A0506

Cylinder head



		Inglese	
1	ZZ80270	T-A 4:0	1 Kit
		T-B 7:0	
2		!	1 Kit
		➡ Ref.n.1	
3	3313E021	!	4 Guide
		● 3313A012(4)	
		T-A 7:50	
4	3313E021	!	4 Guide
		● 3313A012(4)	
		T-A 7:50	
5	3314A151	!	4 Insert
		● 3314A241(4)	
		T-A 7:50	
6	3314A161	!	4 Insert
		● 3314A231(4)	
		T-A 7:50	
7	32416117	!	2 Plug
		T-A 1:0	
8	0650588	!	4 Plug
		T-A 0:50	
9	3142H071	!	4 Valve
		T-A 7:50	
10	2418M519	!	4 Ring
		A	
		T-A 3:0	

Blue engine

Mb series tier 2 (limited market) (2005-) - RT61 - MB75

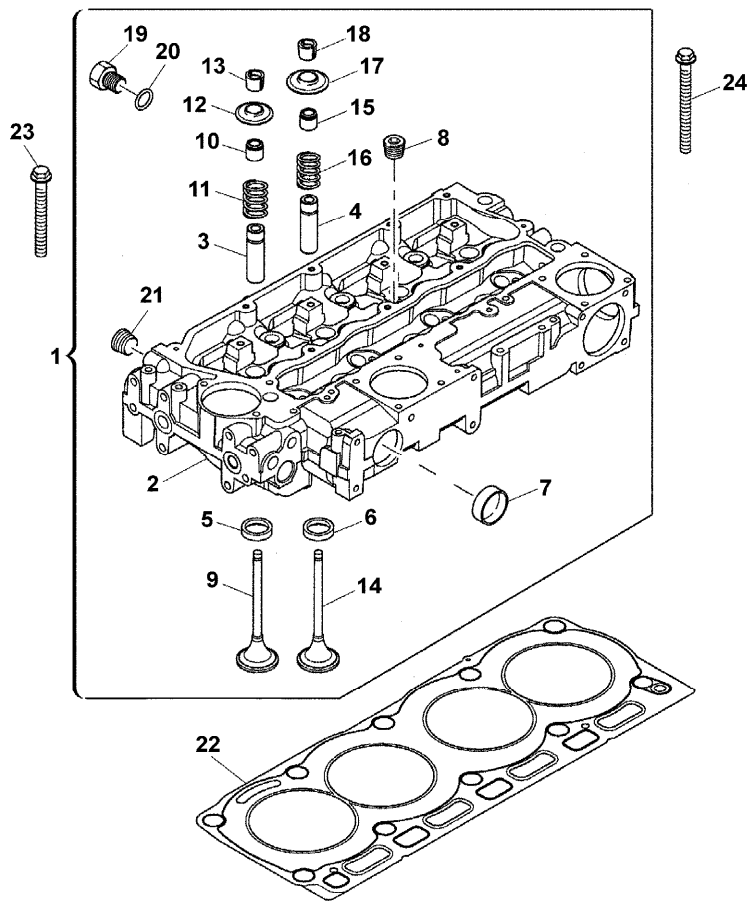
RT61\000030.949.png

A-05
06



A0506

Cylinder head



			Inglese
11	3174A016	! 1	4 Spring
		T-A 3:0	
12	3342A011	! 1	4 Cover
		T-A 3:0	
13	3142W004	! 1	8 Cotter
		T-A 3:0	
14	3142A151	! 1	4 Valve
		T-A 7:50	
15	2418M517	! 1	4 Ring
		B	
		T-A 3:0	
16	3174A016	! 1	4 Spring
		T-A 3:0	
17	3342A011	! 1	4 Cover
		T-A 3:0	
18	3142W004	! 1	8 Cotter
		T-A 3:0	
19	3278A006	! 1	1 Plug
20	2415H003	! 1	1 Ring
21	2431154	! 1	1 Plug
22	3681E047	● 3681E051(1)	1 Gasket
		(X)	
		T-A 4:0	
23	3218A011		7 Screw
24	3218A012		3 Screw

! This is a component of an assembly

Blue engine

A-05
06

Cylinder head

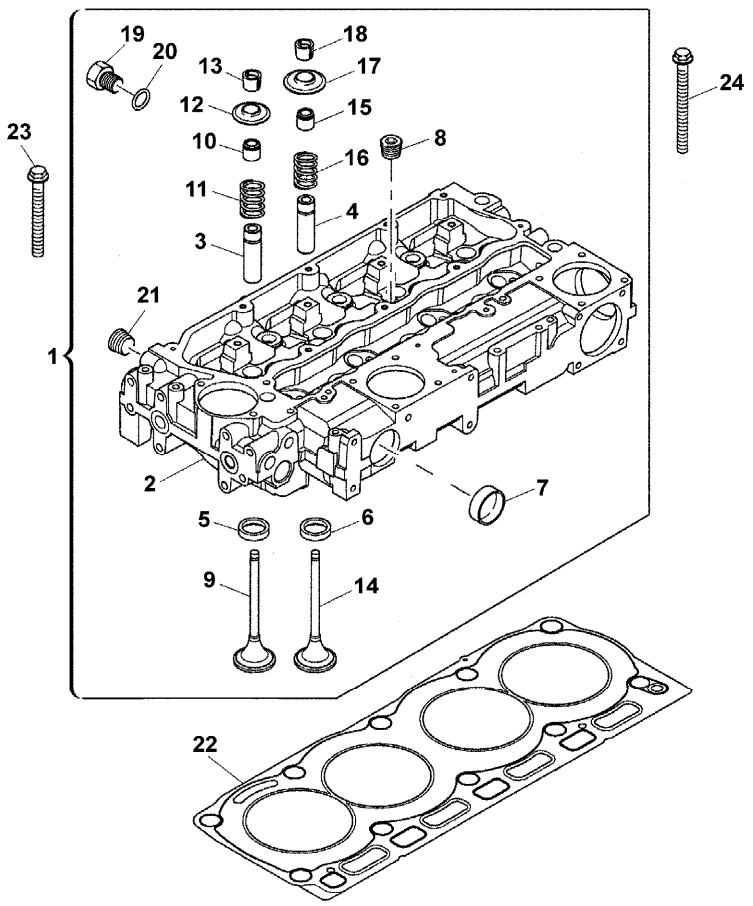
Mb series tier 2 (limited market) (2005-) - RT61 - MB75



A0506

RT61\000030.949.png

- Not serviced, order
- Replacement
- (X) Qty per tractors sold (aa.bbb.ccc.ddd) (aa) for 1,(bbb) 2-10 (ccc) 11-25 (ddd) 26-50
- T-A Replacement
- T-B Overhaul
- A Green
- B Brown



Buy Now



Our support email:

ebooklibonline@outlook.com