

Engine

GM Series Tier 2 (2003-2008) - RS11 - GM55

RS11\00012225.png

A-05
01



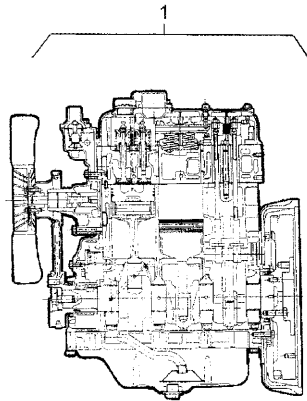
A0501

Engine assembly

Inglese

- 1 3669989M91 A
 - T-A 13:0
 - T-B 31:0
- T-A Replacement
- T-B Overhaul
- A Complete with flywheel

1 Engine



Engine

GM Series Tier 2 (2003-2008) - RS11 - GM55

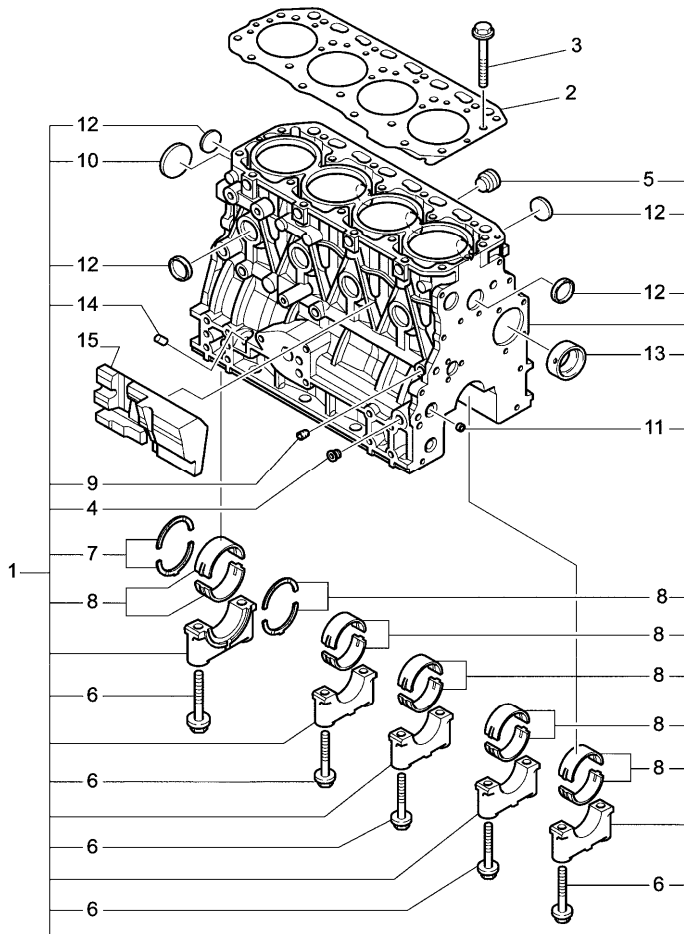
A-05
02



A0502

Cylinder block

RS11\00012226.png



Inglese

1	3678319M1	T-A	33:0	1	Kit
2	3693927M1	(X)	1.3.6.1	1	Gasket
		T-A	5:50		
3	3653428M1			18	Stud
4	3653316M1	!	1	2	Plug
		T-A	0:25		
5	3653796M1	!	1	1	Plug
		T-A	0:25		
6	3653429M1	!	1	10	Bolt
7	3653432M1	!	1	2	Ring
		●	4215968M1(2)		
		T-A	16:50		
7	3653433M1	!	1	1	Ring
		●	4215970M1(1)		
		A			
		T-A	16:50		
8	3653336M1	!	1	5	Kit
		●	4215967M1(5)		
		T-A	16:50		
8	3653431M1	!	1	5	Ring
		●	3653431M2(5)		
		B			
		T-A	16:50		
9	3678007M1	!	1	1	Plug
		T-A	0:25		
10	3664445M1	!	1	1	Plug

Engine

GM Series Tier 2 (2003-2008) - RS11 - GM55

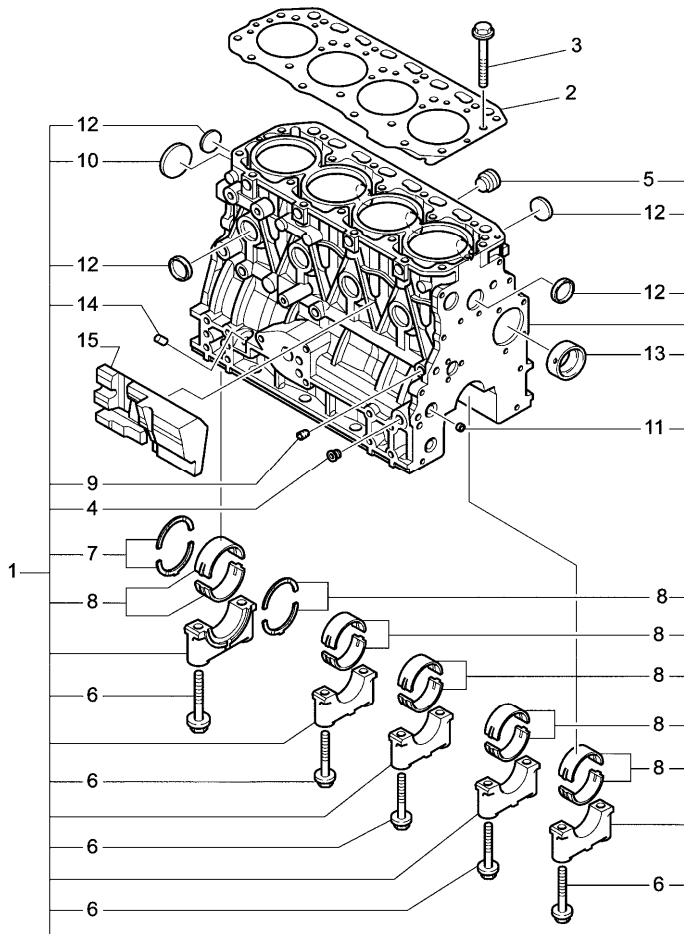
A-05
02



A0502

Cylinder block

RS11\00012226.png



Inglese

11	3653888M1	!	1	2	Plug
12	3653889M1	!	1	8	Plug
		●	3653889M2(8)		
		T-A	0:75		
13	3653791M1	!	1	1	Bearing
		T-A	31:0		
14	3677943M1	!	1	1	Plug
15	3678014M1			1	Spacer

! This is a component of an assembly

● Replacement

(X) Qty per tractors sold (aa.bbb.ccc.ddd) (aa) for 1,(bbb) 2-10 (ccc) 11-25 (ddd) 26-50

T-A Replacement

A Over-size (0,25mm) part.

B Under-size (0,25mm) part.

Engine

GM Series Tier 2 (2003-2008) - RS11 - GM55

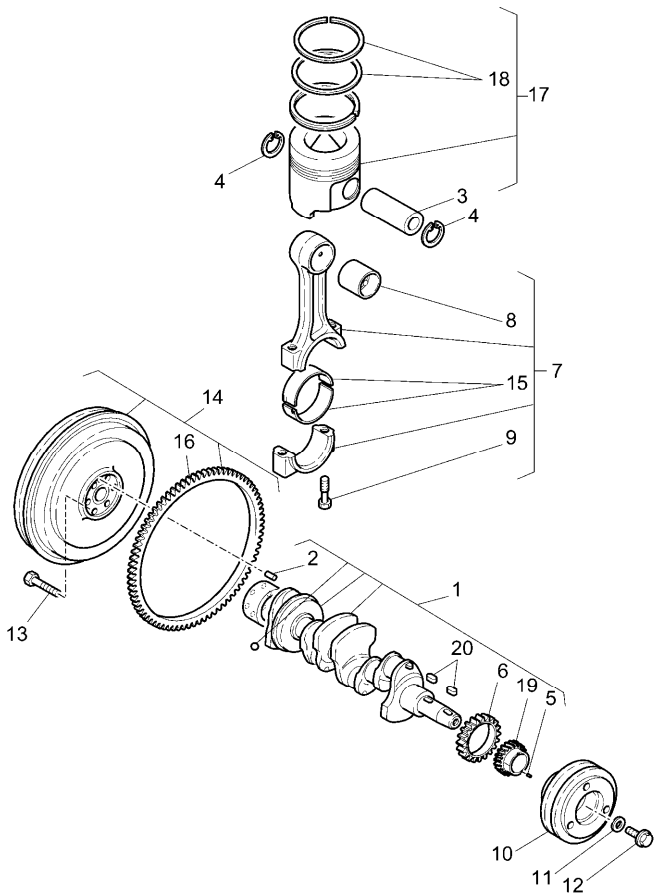
RS11\00012227.png

A-05
03



A0503

Crankshaft, pistons and connecting rods



		Inglese	
1	3678286M1	● 3678286M2(1) T-A 16:50 T-B 18:50	1 Shaft
2	3653378M1	! 1	1 Dowel
3	3653731M1	T-A 17:0	4 Cotter
4	3653815M1		8 Clip
5	3653308M1	! 1	1 Dowel
6	3664468M1	! 1 T-A 20:0	1 Gear
7	3653897M1	T-A 17:0	4 Conrod
8	3653383M1	! 7 T-A 17:0	4 Bearing
9	3653307M1	! 7	8 Bolt
10	3653763M1	● 4216750M1(1), 6510420M1(1) T-A 2:0	1 Pulley
11	3653794M1		1 Washer
12	3653309M1		1 Bolt
13	3653301M1		6 Bolt
14	3653762M1	T-A 10:50	1 Flywheel
15	3653450M1	! 7 ● 4216034M1(4) T-A 17:0	4 Bearing
15	3653451M1	! 7 B T-A 17:0	4 Bearing

Engine

GM Series Tier 2 (2003-2008) - RS11 - GM55

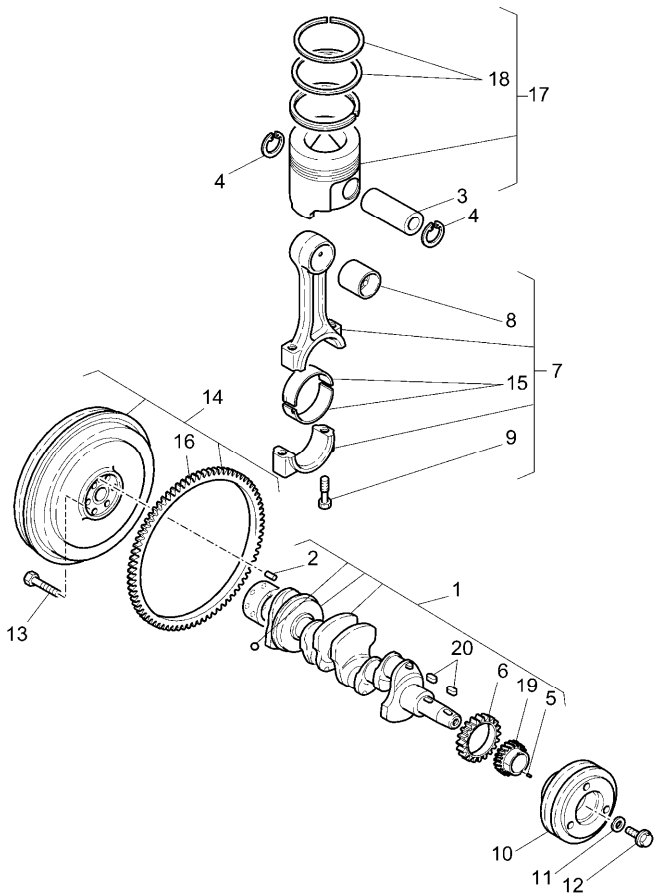
RS11\00012227.png

**A-05
03**



A0503

Crankshaft, pistons and connecting rods



				Inglese
16	3653297M1	!	14	1 Crownwheel
		T-A	10:25	
17	3678265M1	T-A	17:50	4 Piston
17	3678266M1	B		4 Piston
		T-A	17:50	
18	3678015M1	!	17	4 Kit
		(X)	2.4.8.1	
		T-A	17:50	
18	3678016M1	!	17	4 Kit
		A		
		T-A	17:50	
19	3677974M1	!	1	1 Gear
		●	4206674M1(1)	
		T-A	20:0	
20	3653820M1	!	1	2 Key
!				This is a component of an assembly
●				Replacement
(X)				Qty per tractors sold (aa.bbb.ccc.ddd) (aa) for 1,(bbb) 2-10 (ccc) 11-25 (ddd) 26-50
T-A				Replacement
T-B				Overhaul
A				Over-size (0,25mm) part.
B				Under-size (0,25mm) part.

Engine

GM Series Tier 2 (2003-2008) - RS11 - GM55

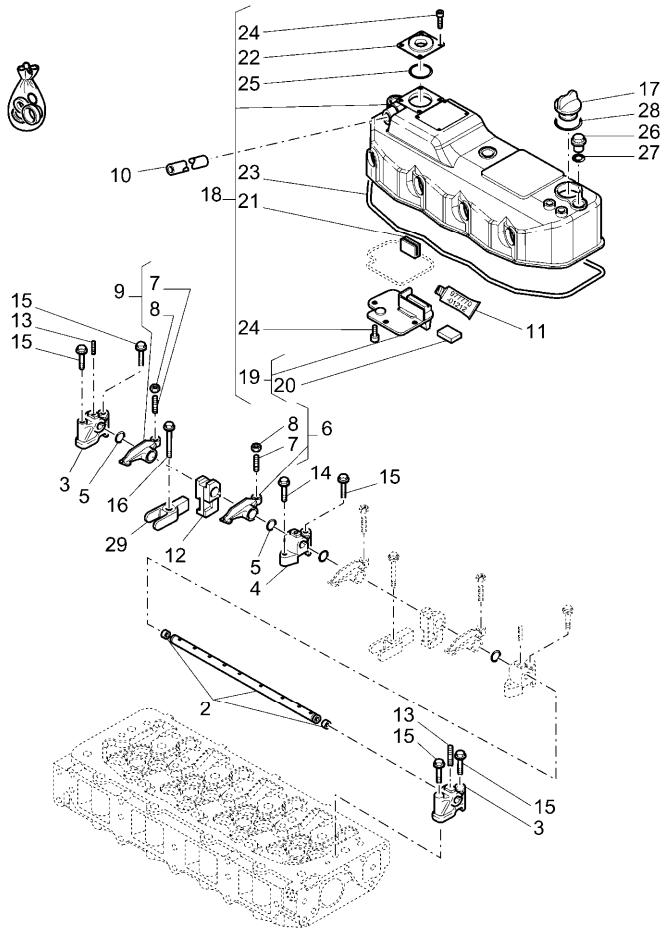
RS11\00012228.png

A-05
04



A0504

Cylinder head-rocker shaft



			Inglese
1	3678242M1		1 Shaft
2	3678243M1	! 1	1 Shaft
		T-A 3:0	
3	3678244M1	! 1	2 Support
4	3678245M1	! 1	3 Support
		T-A 2:0	
5	3678246M1	! 1	8 Washer
6	3678249M1	! 1	4 Arm
		T-A 2:0	
7	3653439M1	! 1	8 Screw
8	3653444M1	! 1	8 Nut
		T-A 0:25	
9	3678250M1	! 1	4 Arm
		T-A 2:0	
10	3653437M1	T-A 0:25	1 Pipe
11	3653908M1	● 3653908M2(1)	1 Gasket
12	3678258M1	! 1	4 Union
		T-C 2:0	
13	3678314M1	! 1	3 Stud
		M8x35	
14	3653860M1	M8x25	3 Bolt
15	3653864M1	M8x50	7 Bolt
16	3678296M1		4 Bolt
17	3653315M1	T-A 0:25	1 Plug

Engine

GM Series Tier 2 (2003-2008) - RS11 - GM55

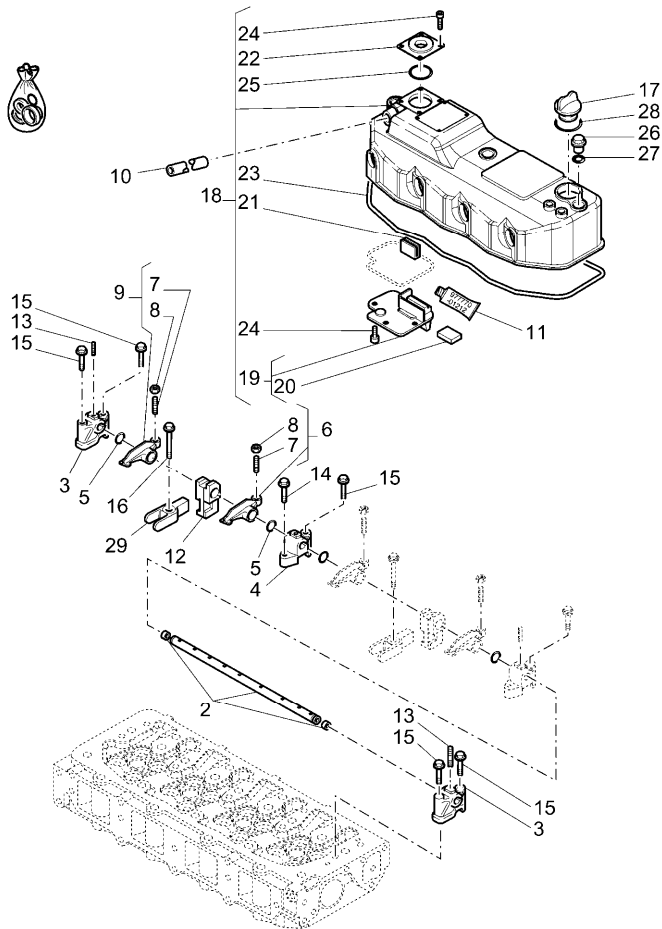
RS11\00012228.png

A-05
04



A0504

Cylinder head-rocker shaft



				Inglese
18	3678248M1	T-A 1:50		1 Coperch.
		T-B 1:25		
19	3678047M1	!	18	1 Disc
20	3677970M1	!	18	1 Control
21	3653435M1	!	18	1 Guard
22	3678025M1	!	18	1 Cover
		T-A 0:25		
23	3678247M1	!	18	1 Gasket
		(X) 1.3.6.1		
		T-A 1:50		
24	3665010M1	!	18	8 Screw
		M5x10		
25	3678312M1	!	18	1 Ring
		T-A 0:25		
26	3653317M1	T-A 0:25		3 Plug
27	3653831M1	T-A 0:25		3 O ring
28	3653835M1	T-A 0:25		1 O ring
29	3678257M1	T-C 2:0		4 Clip
!	This is a component of an assembly			
●	Replacement			
(X)	Qty per tractors sold (aa.bbb.ccc.ddd) (aa) for 1,(bbb) 2-10 (ccc) 11-25 (ddd) 26-50			
T-A	Replacement			
T-B	Overhaul			
T-C	Setting			

Engine

GM Series Tier 2 (2003-2008) - RS11 - GM55

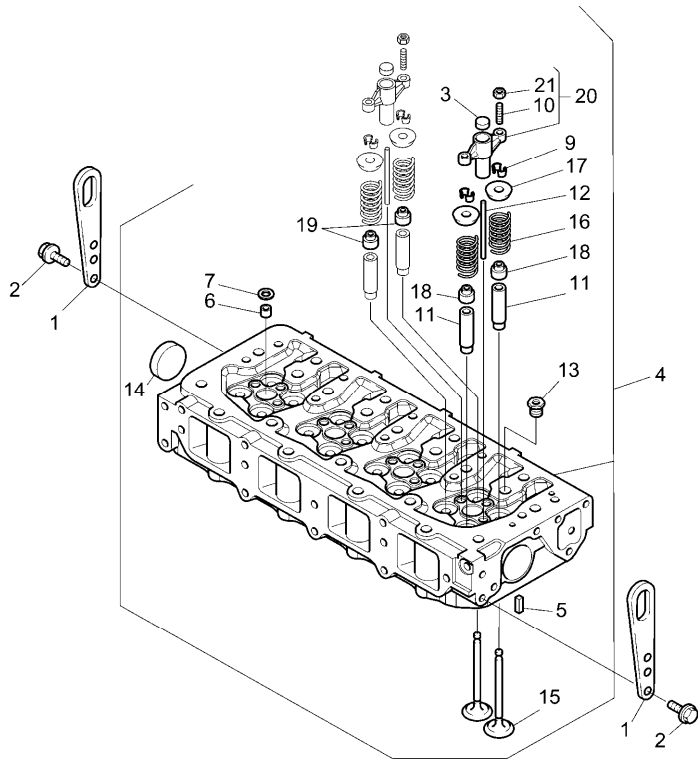
RS11\00012229.png

A-05
05



A0505

Cylinder head-rocker shaft



				Inglese
1	3664580M1	T-A	0:25	2 Cam
2	3653857M1		M8x14	4 Bolt
3	3678256M1			8 Plug
4	3678251M1	T-A	5:0 T-B 8:0	1 Cylinder head
5	3653818M1			2 Pin
6	3677971M1	T-A	7:75	4 Guard
7	3653266M1			4 Washer
8	3685204M1	!	4	8 Valve
9	3677965M1	!	4	32 Dowel
10	3678003M1	!	4	8 Screw
11	3677967M1	!	4	16 Guide
12	3678255M1	T-A	8:75	8 Guide
13	3678308M1	!	4	4 Plug
14	3653890M1	!	4	2 Plug
15	3678049M1	!	4	8 Valve
16	3678239M1	T-A	7:75	16 Spring
17	3678241M1	!	4	16 Clip
18	3677966M1	T-A	7:75	8 Ring

Engine

GM Series Tier 2 (2003-2008) - RS11 - GM55

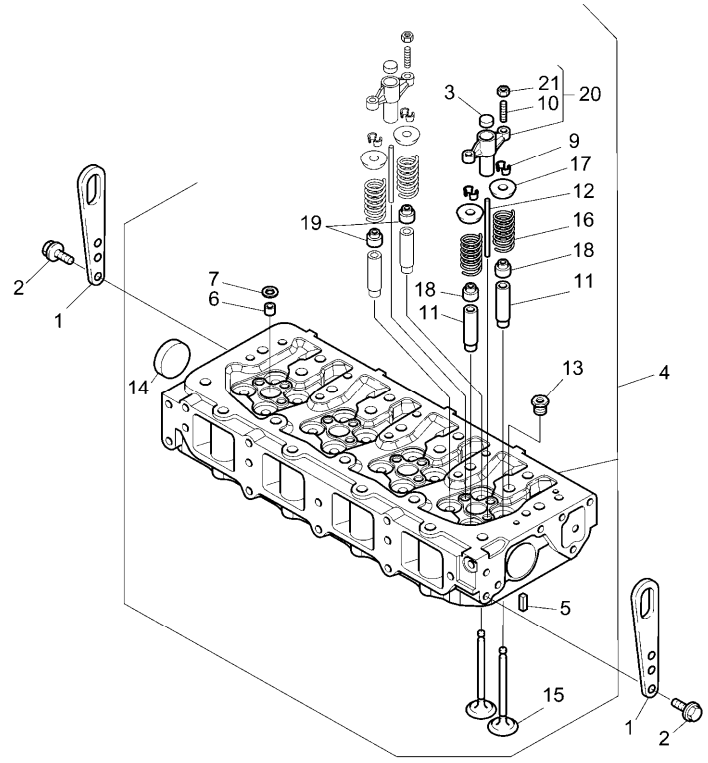
RS11\00012229.png

A-05
05



A0505

Cylinder head-rocker shaft



Inglese

- 19 3677968M1 ! 4 8 Ring
- 20 3678254M1 ! 4 8 Kit
- T-A 7:75
- 21 3653444M1 ! 4 8 Nut
- T-A 0:25

! This is a component of an assembly
 T-A Replacement
 T-B Overhaul

Engine

GM Series Tier 2 (2003-2008) - RS11 - GM55

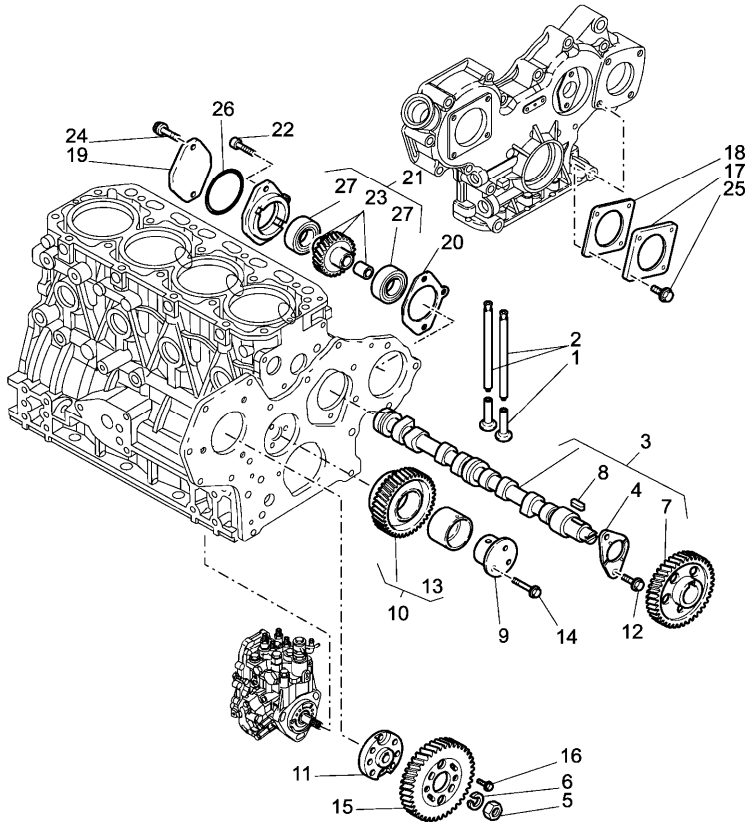
RS11\00012230.png

A-05
06



A0506

Timing gear and camshaft



				Inglese
1	3653447M1	T-A 31:0		8 Tappet
2	3653448M1	T-A 2:75		8 Rod
3	3678261M1	T-A 31:0		1 Shaft
4	3653430M1	! 3		1 Plate
		T-A 31:0		
5	3678315M1			1 Nut
6	3678300M1			1 Spring
7	3653446M1	! 3		1 Gear
		T-A 31:0		
8	3653820M1	! 3		1 Key
		T-A 31:0		
9	3677975M1	T-A 9:50		1 Shaft
10	3677977M1	T-A 9:50		1 Gear
11	3678298M1	T-A 9:25		1 Flange
12	3653857M1	M8x14		2 Bolt
13	3677976M1	! 10		1 Bush
		T-A 9:50		
14	3653862M1	M8x40		3 Bolt
15	3677978M1	T-A 9:25		1 Gear
16	3664454M1			4 Screw
17	3653320M1	T-A 0:50		1 Coperch.
18	3653321M1	T-A 0:50		1 Gasket
19	3653300M1	T-A 0:50		1 Coperch.
20	3653800M1	T-A 1:0		1 Gasket
21	3653363M1	T-A 1:0		1 Kit

Engine

GM Series Tier 2 (2003-2008) - RS11 - GM55

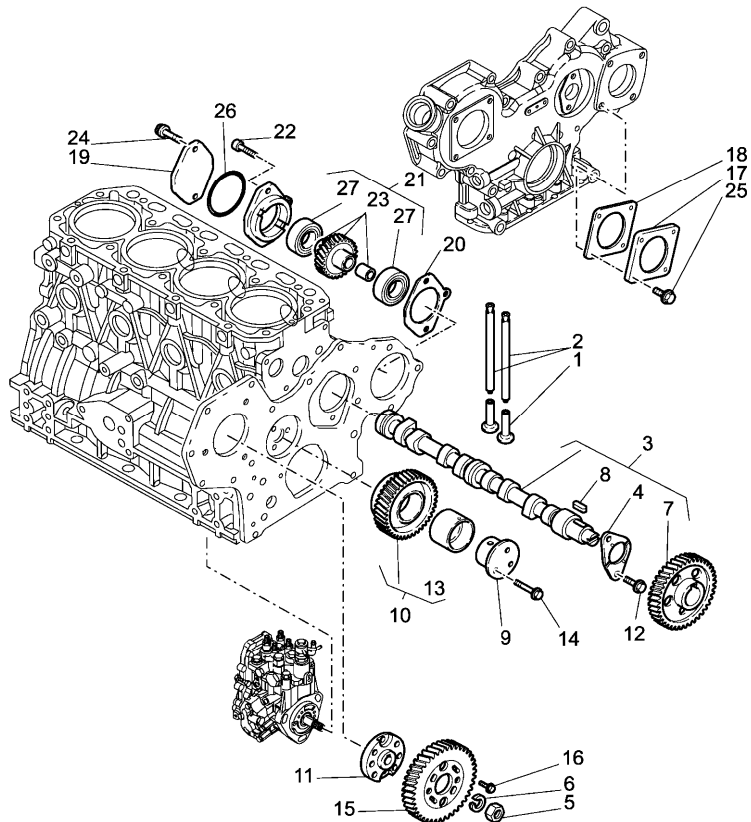
RS11\00012230.png

A-05
06



A0506

Timing gear and camshaft



				Inglese
22	3653879M1	M8x28		1 Bolt
23	3653364M1	!	21	1 Gear
		T-A	1:50	
24	3653869M1	M10x45		2 Bolt
25	3653858M1	M8x16		4 Bolt
26	3653839M1	T-A	0:50	1 O ring
27	3653830M1	!	21	2 Cuscinet
		(X)	2.4.8.1	
		T-A	1:50	

! This is a component of an assembly
(X) Qty per tractors sold (aa.bbb.ccc.ddd) (aa) for 1,(bbb) 2-10 (ccc) 11-25 (ddd) 26-50
T-A Replacement

Engine

GM Series Tier 2 (2003-2008) - RS11 - GM55

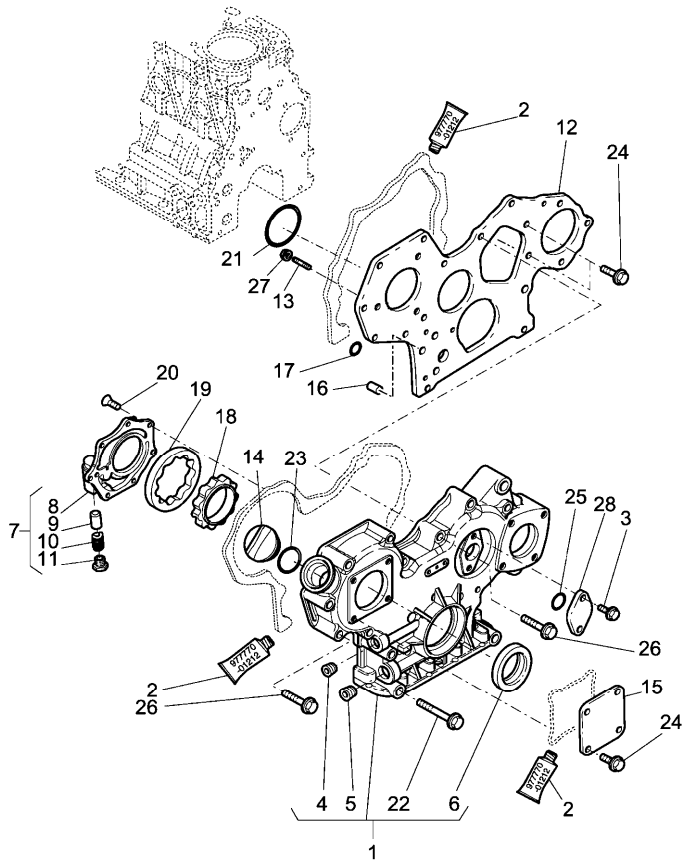
RS11\00012231.png

A-05
07



A0507

Distributor cover



				Inglese
1	3678317M1	T-A 4:75		1 Cover
2	3653908M1	● 3653908M2(1)		1 Gasket
3	3653853M1	M6x16		2 Bolt
4	3665018M1	! 1		1 Plug
		T-A 0:50		
5	3678309M1	! 1		1 Plug
		T-A 0:50		
6	3653788M1	! 1		1 Seal
		72x55x9		
		(X) 1.3.6.1		
7	3677980M1			1 Cover
8	3677979M1	! 7		1 Cover
9	3678295M1	! 7		1 Valve
10	3678043M1	! 7		1 Spring
11	3678013M1	! 7		1 Plug
12	3678023M1	(X) 1.3.6.1		1 Flange
		T-A 4:75		
13	3677969M1	M8x25		3 Stud
14	3653315M1	T-A 0:25		1 Plug
15	3653320M1	T-A 0:50		1 Cover
16	3653789M1			2 Bush
17	3677944M1			4 Ring
18	3678267M1			1 Rotor
19	3678268M1			1 Rotor
20	3677981M1	M6x16		7 Screw

Engine

GM Series Tier 2 (2003-2008) - RS11 - GM55

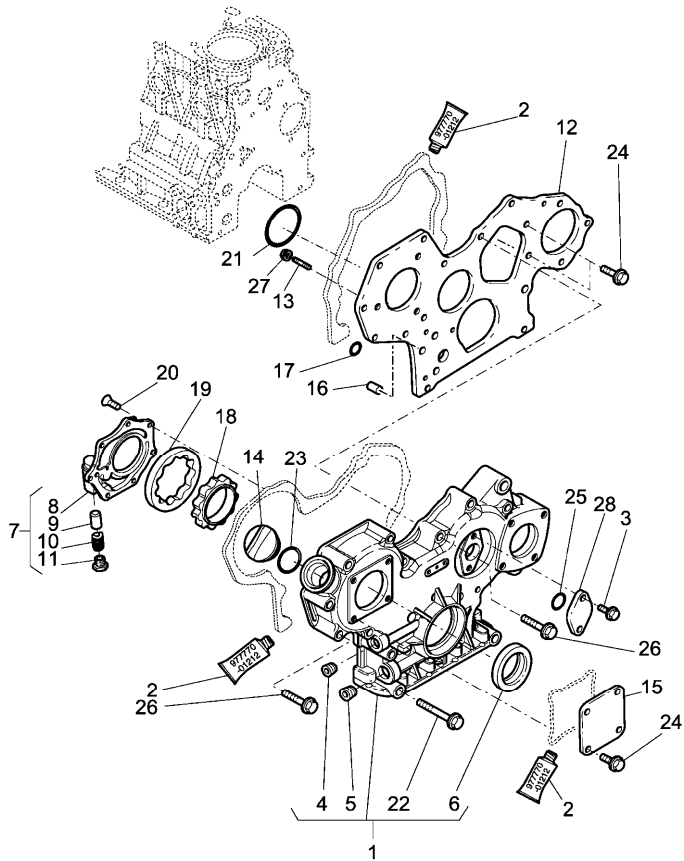
A-05
07



A0507

Distributor cover

RS11\00012231.png



Inglese

21	3653310M1	T-A	4:75	1	O ring
22	3664450M1		M8x85	3	Bolt
23	3653835M1	T-A	0:25	1	O ring
24	3653858M1		M8x16	7	Bolt
25	3653841M1	T-A	0:25	1	O ring
26	3653865M1		M8x55	11	Bolt
27	3666905M1			3	Nut
28	3653299M1	T-A	0:25	1	Coperch.

! This is a component of an assembly

● Replacement

(X) Qty per tractors sold (aa.bbb.ccc.ddd) (aa) for 1,(bbb) 2-10 (ccc) 11-25 (ddd) 26-50

T-A Replacement

Engine

GM Series Tier 2 (2003-2008) - RS11 - GM55

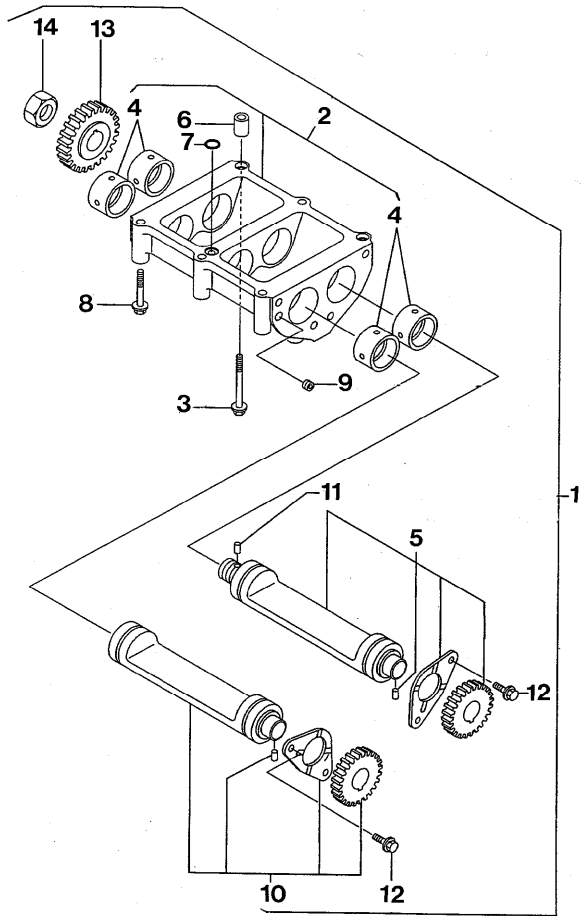
A-05
08



A0508

Balancer unit

RS11\00001366.png



			Inglese
1	3653746M1	T-A 2:0	1 Housing
		T-B 4:0	
2	3664476M1	! 1	1 Housing
		T-A 4:0	
3	3653868M1	! 2	2 Bolt
		M8x80	
4	3653743M1	! 2	4 Bush
		T-A 4:0	
5	3653905M1	! 1	1 Kit
		T-A 4:0	
6	3653790M1	! 2	2 Bush
		T-A 4:0	
7	3653832M1	! 2	1 O ring
		T-A 4:0	
8	3653866M1	! 2	4 Bolt
		M8x60	
9	3653827M1	! 2	1 Plug
10	3653906M1	! 1	1 Kit
		T-A 4:0	
11	3653308M1	! 1	1 Dowel
12	3653857M1	! 1	4 Bolt
		M8x14	
13	3653739M1	! 1	1 Gear
		T-A 4:0	
14	3653334M1	! 1	1 Nut

! This is a component of an assembly

Buy Now



Our support email:

ebooklibonline@outlook.com