

Engine

Mb series tier 2 (limited market) (2005-) - RT61 - MB55

RT61\000030.990.png

A-05
01



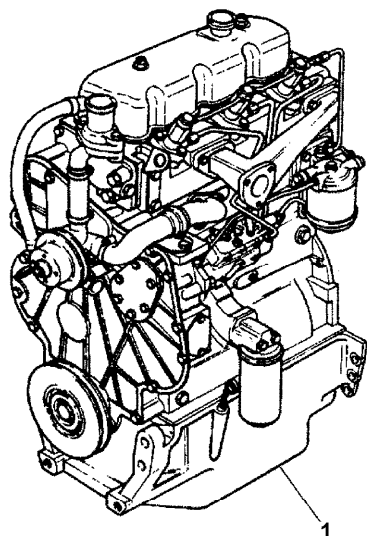
A0501

Engine assembly - atmospheric

Inglese

1	3671102M91	Perkins dc81434	1	Engine
		58 cv		
		T-A 7:0		
		T-B 30:0		

T-A Replacement
T-B Overhaul



Engine

Mb series tier 2 (limited market) (2005-) - RT61 - MB55

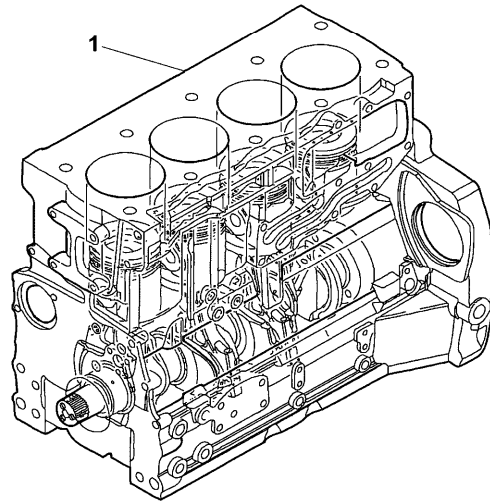
RT61\000031.104.png

A-05
015



A05015

Short engine



- | | | | | | | |
|---|---------|-----|----------------------------------|---------|---|--------------|
| 1 | RE40002 | ➔ | U491476 t | Inglese | 1 | Engine |
| | | ● | 3115A141(1),
32186146(3), RE4 | | | |
| | | T-A | 15:0 | | | |
| 1 | RE40021 | ➔ | U491477 t | | 1 | Short engine |
- ➔ From serial or engine number
 ➔ Up to serial or engine number
 ● Replacement
 T-A Replacement

Engine

Mb series tier 2 (limited market) (2005-) - RT61 - MB55

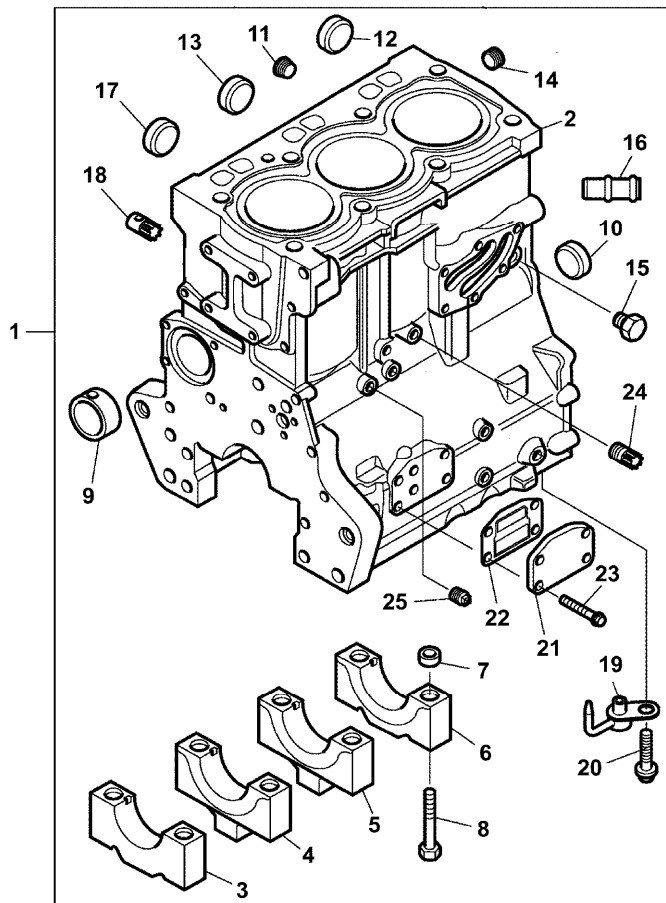
RT61\000030.991.png

A-05
02



A0502

Cylinder block



				Inglese
1	4181V016	T-A	30:50	1 Cylinder block
2		!	1	1 Cylinder
		➡	4181v016	
3		!	1	1 Bearing
		➡	4181v016	
4		!	1	1 Bearing
		➡	4181v016	
5		!	1	1 Bearing
		➡	4181v016	
6		!	1	1 Bearing
		➡	4181v016	
7	33142111	!	1	8 Manicott
8	32166329	!	1	8 Screw
9	3112D071	!	1	1 Bush
		●	3112D075(1)	
10	3241A012	!	1	1 Plug
11	0650588	!	1	1 Plug
12	0650710	!	1	1 Plug
13	3241A011	!	1	2 Plug
14	3212P008	!	1	1 Plug
15	32141316	!	1	1 Plug
16	3313A022	!	1	1 Pipe
17	2485A108	!	1	1 Plug
18	3212V006	!	1	1 Plug

Engine

Mb series tier 2 (limited market) (2005-) - RT61 - MB55

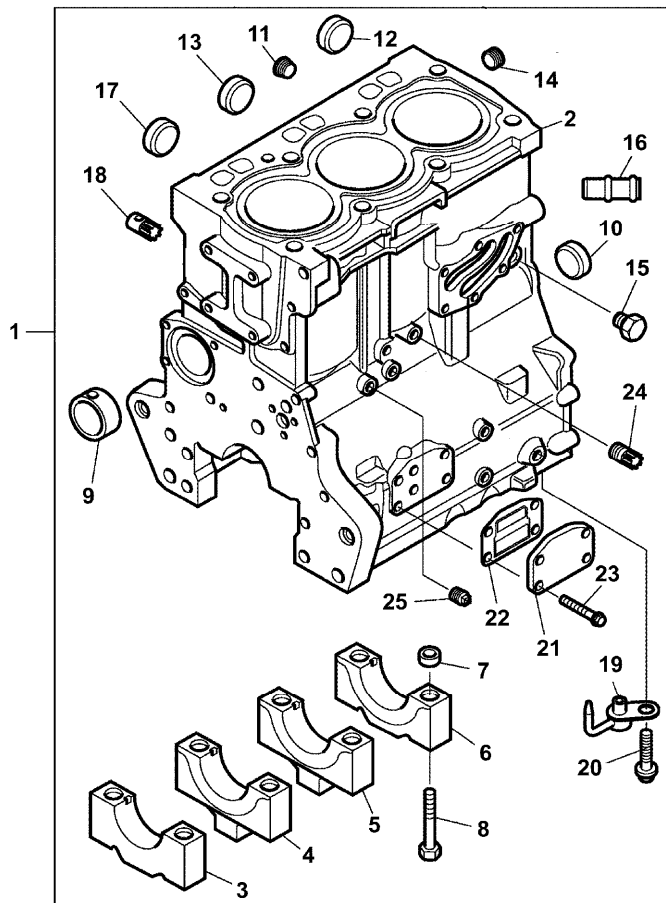
RT61\000030.991.png

A-05
02



A0502

Cylinder block



19	2113A001	!	1	
		●	2113A003(3)	
20	2314F001	!	1	
21	3623A009	!	1	
		T-A	0:50	
22	3688A039	!	1	
		T-A	0:50	
23	2314H033	!	1	
24	3212V005	!	1	
25	0650594	!	1	
	!	This is a component of an assembly		
	▣	Not serviced, order		
	●	Replacement		
	T-A	Replacement		

Inglese

3	Atomiser
3	Screw
2	Plate
2	Gasket
8	Screw
1	Plug
1	Plug

Engine

Mb series tier 2 (limited market) (2005-) - RT61 - MB55

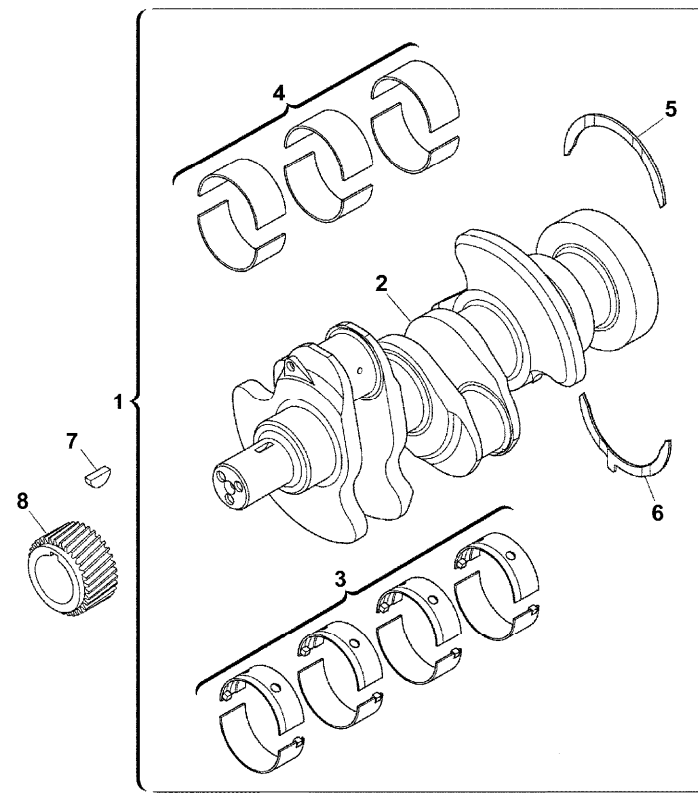
A-05
03



A0503

Camshaft

RT61\000030.992.png



Inglese

1	4181V017	T-A	15:0	1	Shaft
2		!	1	1	Shaft
		▶	Ref.n.1		
3	U5MB0019	!	1	1	Kit
		●	U5MB0037(1)		
		T-A	15:0		
4	U5ME0018	!	1	1	Kit
		●	U5ME0033(1)		
		T-A	15:0		
5	31137312	▲	0.007"	2	Ring
		!	1		
		T-A	15:0		
5	31137551	!	1	2	Washer
		T-A	15:0		
6	31137322	!	1	2	Ring
		▲	0.007"		
		T-A	15:0		
6	31137561	!	1	2	Washer
		T-A	15:0		
7	3117C221	T-A	10:0	1	Gear
8	0500012	T-A	10:0	1	Key
!	This is a component of an assembly				
▶	Not serviced, order				
▲	Shim				
●	Replacement				
T-A	Replacement				

Engine

Mb series tier 2 (limited market) (2005-) - RT61 - MB55

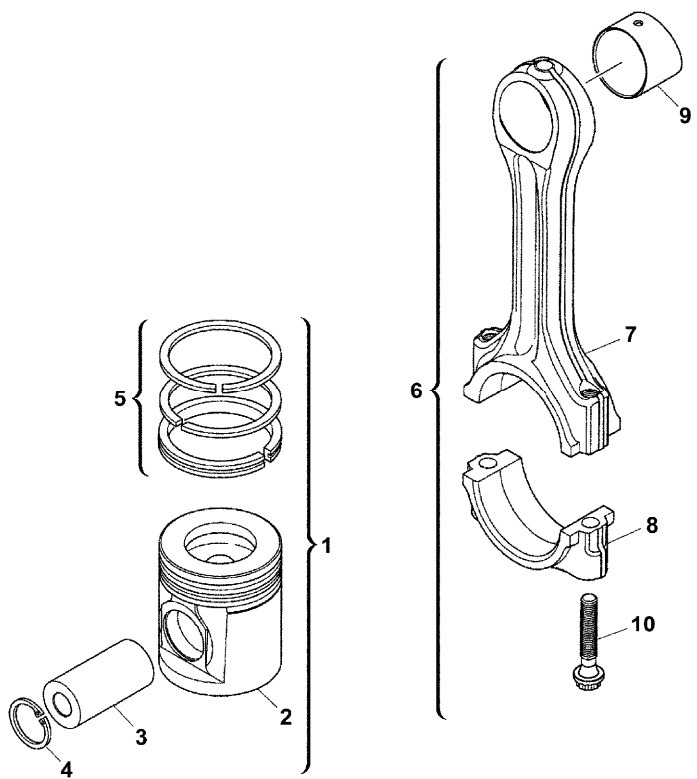
**A-05
04**



A0504

Pistons and connecting rods

RT61\000030.993.png



				Inglese
1	4115P011	T-A 14:0		3 Kit
2		! 1		1 Piston
		➡ Ref.n.1		
3		! 1		1 Bush
		➡ Ref.n.1		
4	2721332	! 1		2 Ring
5	UPRK0003	! 1		1 Kit
		(X) 0.2.5.		
		T-A 11:25		
6	4115C311	➡ U491477 t		3 Kit
		B		
		T-A 14:0		
6	4115C312	➡ U491477 t		3 Kit
		C		
		T-A 14:0		
6	4115C313	➡ U491477 t		3 Kit
		D		
		T-A 14:0		
6	4115C314	➡ U491477 t		3 Kit
		E		
		T-A 14:0		
6	4115C315	➡ U491477 t		3 Kit
		F		
		T-A 14:0		

Engine

Mb series tier 2 (limited market) (2005-) - RT61 - MB55

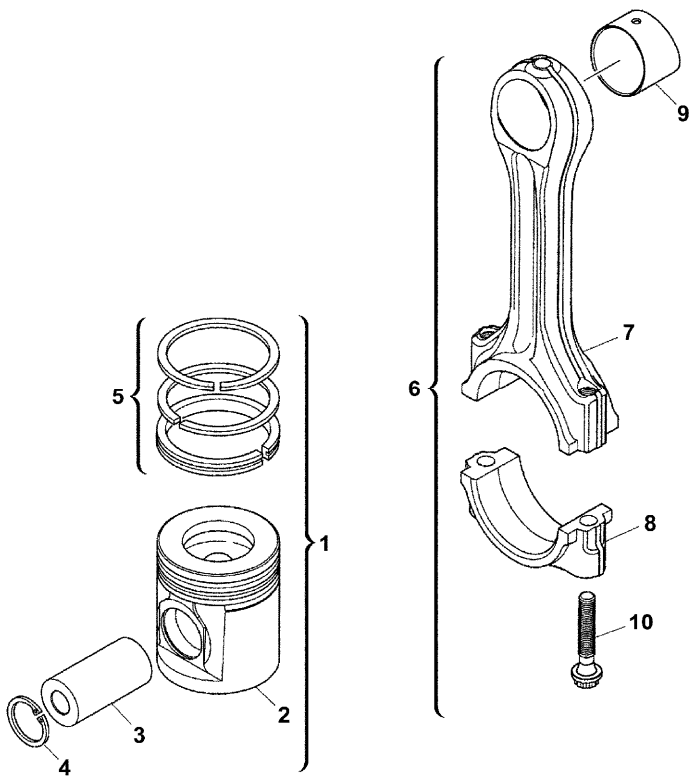
RT61\000030.993.png

A-05
04



A0504

Pistons and connecting rods



		Inglese	
6	4115C316	➡ U491477 t G T-A 14:0	3 Kit
6	4115C361	➡ U491478 t B	3 Conrod
6	4115C362	➡ U491478 t C	3 Conrod
6	4115C363	➡ U491478 t D	3 Conrod
6	4115C364	➡ U491478 t E	3 Conrod
6	4115C365	➡ U491478 t F	3 Conrod
6	4115C366	➡ U491478 t G	3 Conrod
7	!	6	1 Conrod
8	➡	Ref.n.6	1 Cap
8	!	6	1 Cap
8	➡	Ref.n.6	
9	3112A005	! 6 T-A 14:0	1 Bush
10	3212V003	! 6 ➡ U491476 t A	2 Screw
10	T400001	! 6 ➡ U491477 t	2 Screw

Engine

Mb series tier 2 (limited market) (2005-) - RT61 - MB55

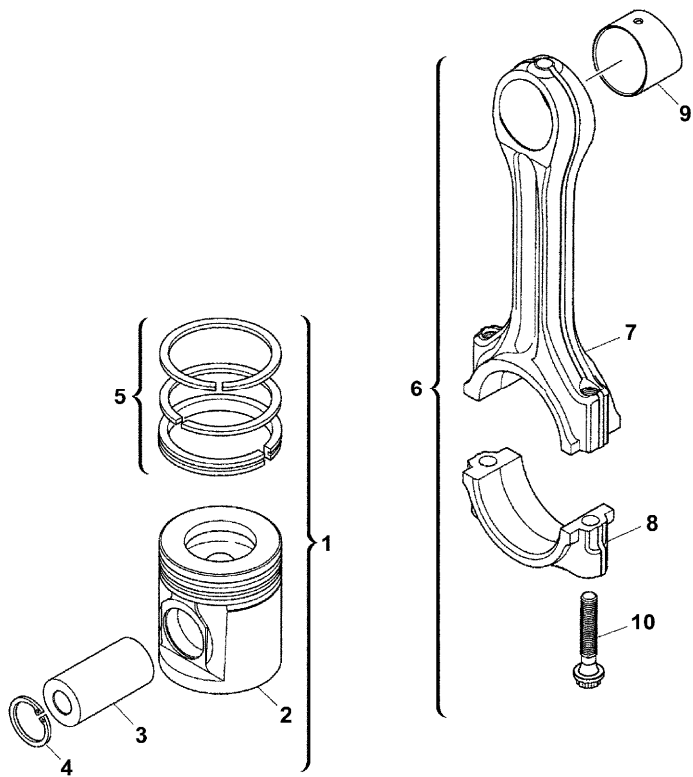
RT61\000030.993.png

A-05
04



A0504

Pistons and connecting rods



- ! This is a component of an assembly
- ➔ From serial or engine number
- ➡ Up to serial or engine number
- 🚫 Not serviced, order
- (X) Qty per tractors sold (aa.bbb.ccc.ddd) (aa) for 1,(bbb) 2-10 (ccc) 11-25 (ddd) 26-50
- T-A Replacement
- A Do not reuse once it has been removed
- B Red
- C Orange
- D White
- E Green
- F Purple
- G Blue

Engine

Mb series tier 2 (limited market) (2005-) - RT61 - MB55

RT61\000030.994.png

A-05
05



A0505

End cover

1 2418F704 T-A 9:0

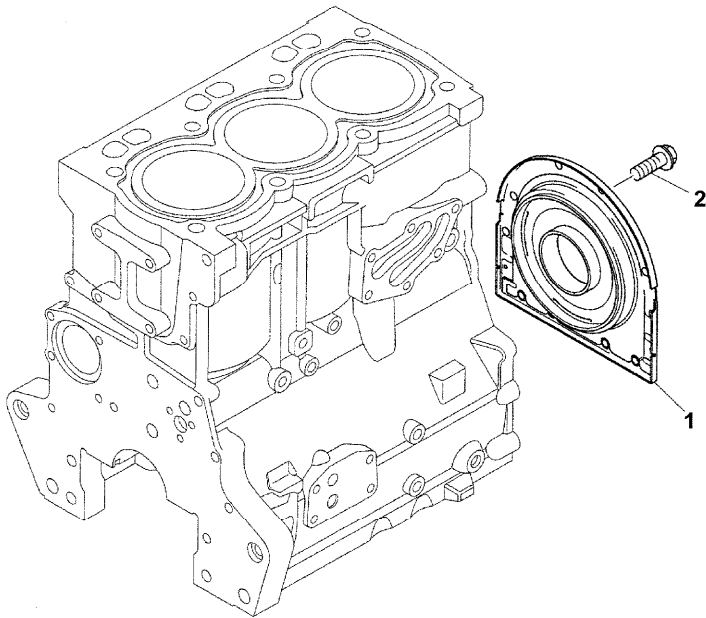
2 3211C002

T-A Replacement

Inglese

1 Housing

10 Screw



Engine

Mb series tier 2 (limited market) (2005-) - RT61 - MB55

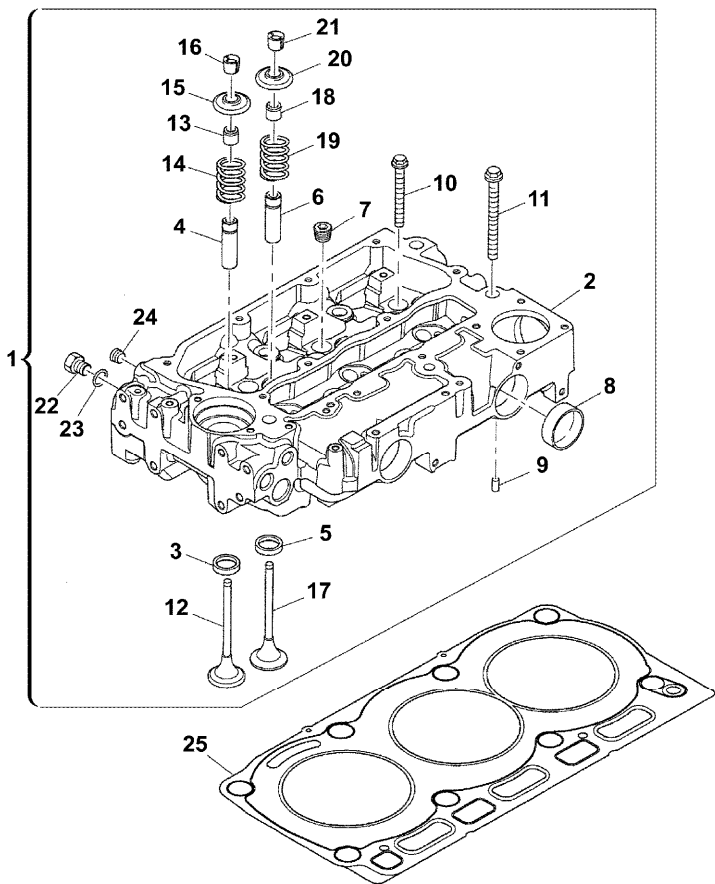
RT61\000030.995.png

A-05
06



A0506

Cylinder head



		Inglese	
1	4181V014	● 4181V039(1) T-A 4:0 T-B 7:50	1 Head
2		! 1 ➡ Ref.n.1	1 Cylinder head
3	3314A151	! 1 ● 3314A241(3) T-A 7:50	3 Insert
4	3313E021	! 1 ● 3313A012(3) T-A 7:50	3 Guide
5	3314A161	! 1 ● 3314A231(3) T-A 7:50	3 Insert
6	3313E021	! 1 ● 3313A012(3) T-A 7:50	3 Guide
7	0650588	! 1	3 Plug
8	32416117	! 1	3 Plug
9	3244A009	! 1	2 Dowel
10	3218A011	! 1	5 Screw
11	3218A012	! 1	3 Screw
12	3142H071	! 1 T-A 7:50	3 Valve

Engine

**A-05
06**

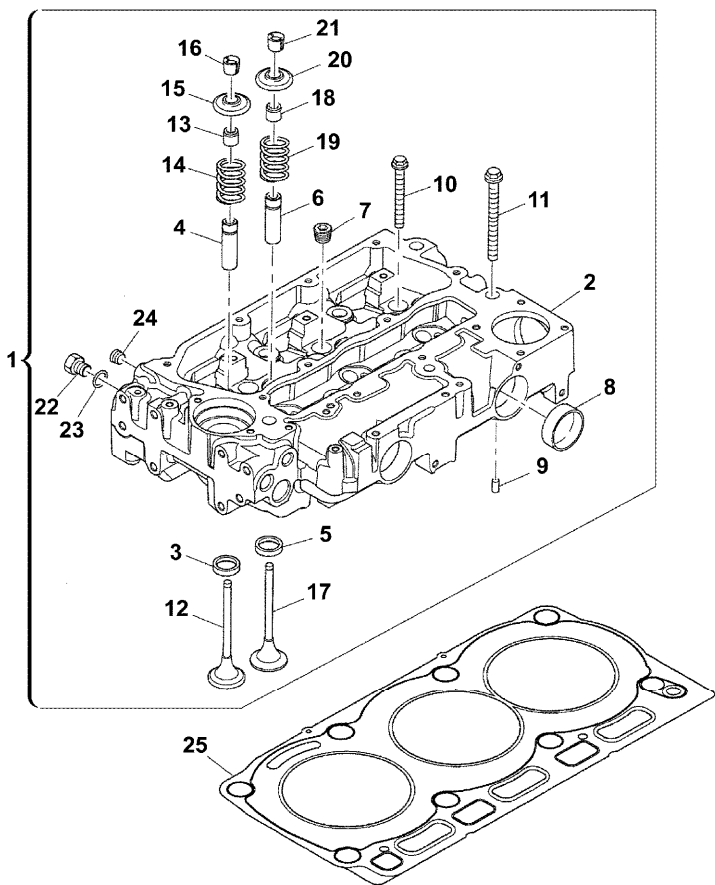
Cylinder head

Mb series tier 2 (limited market) (2005-) - RT61 - MB55



A0506

RT61\000030.995.png



Inglese

13	2418M514	!	1	3	Ring
		●	N.L.S.(3)		
		T-A	3:0		
14	3174A016	!	1	3	Spring
		T-A	3:0		
15	3342A011	!	1	3	Cover
		T-A	3:0		
16	3142W004	!	1	6	Cotter
		T-A	3:0		
17	3142A151	!	1	3	Valve
		T-A	7:50		
18	2418M514	!	1	3	Ring
		●	N.L.S.(3)		
		T-A	3:0		
19	3174A016	!	1	3	Spring
		T-A	3:0		
20	3342A011	!	1	3	Cover
		T-A	3:0		
21	3142W004	!	1	6	Cotter
		T-A	3:0		
22	3278A006	!	1	1	Plug
23	2415H003	!	1	1	Ring
24	2431154	!	1	3	Plug
25	3681E045	●	3681E049(1)	1	Gasket
		(X)			
		T-A	4:0		

Engine

A-05
06

Cylinder head

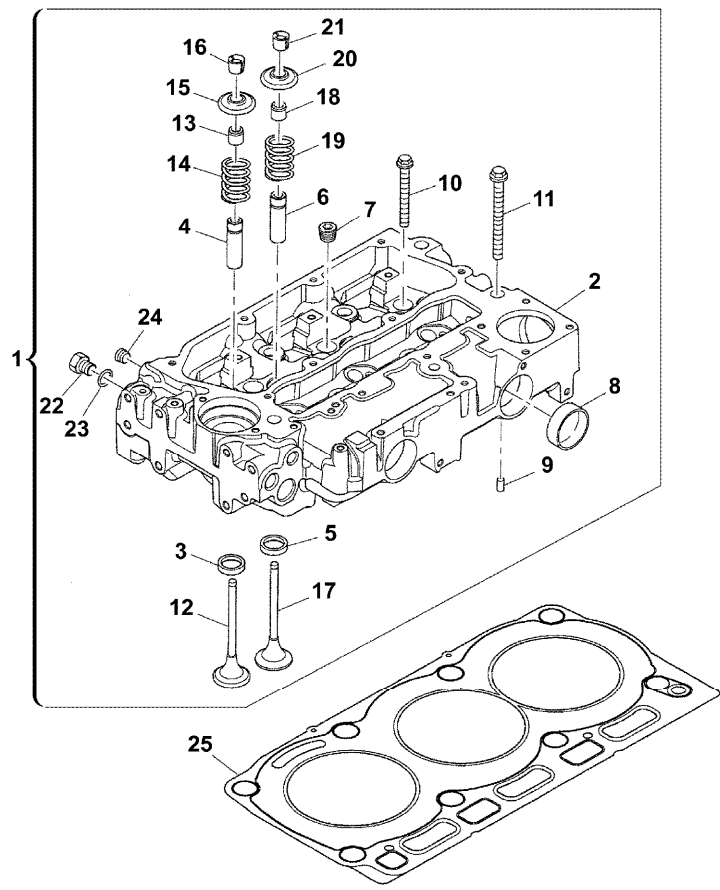
Mb series tier 2 (limited market) (2005-) - RT61 - MB55



A0506

RT61\000030.995.png

- ! This is a component of an assembly
- ▣ Not serviced, order
- Replacement
- (X) Qty per tractors sold (aa.bbb.ccc.ddd) (aa) for 1,(bbb) 2-10 (ccc) 11-25 (ddd) 26-50
- T-A Replacement
- T-B Overhaul



Engine

Mb series tier 2 (limited market) (2005-) - RT61 - MB55

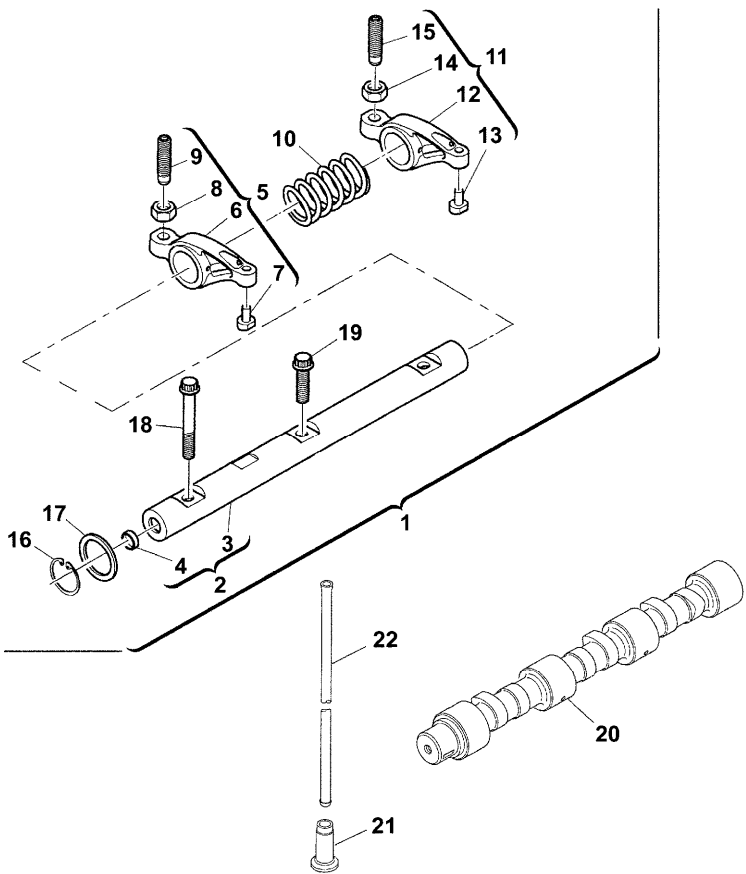
RT61\000030.996.png

A-05
07



A0507

Rocker shaft



Inglese

1	4115R611	T-A 4:0	1	Shaft
2	4115R702	! 1	1	Shaft
		T-A 4:0		
3		! 2	1	Rockerarm
		➡ Ref.n.2		
4	2485A104	! 2	2	Plug
5	4115R314	! 1	4	Rocker
		T-A 4:0		
6		! 5	1	Rocker
		➡ Ref.n.5		
7		! 5	1	Pad
		➡ Ref.n.5		
8	0576052	! 5	1	Nut
9	32114145	! 5	1	Screw
10	3174A015	! 1	3	Spring
		T-A 4:0		
11	4115R315	! 1	4	Rocker
		T-A 4:0		
12		! 11	1	Rocker
		➡ Ref.n.11		
13		! 11	1	Pad
		➡ Ref.n.11		
14	0576052	! 11	1	Nut
15	32114145	! 11	1	Screw
		T-A 1:25		
16	2722A022	! 1	2	Ring

Engine

Mb series tier 2 (limited market) (2005-) - RT61 - MB55

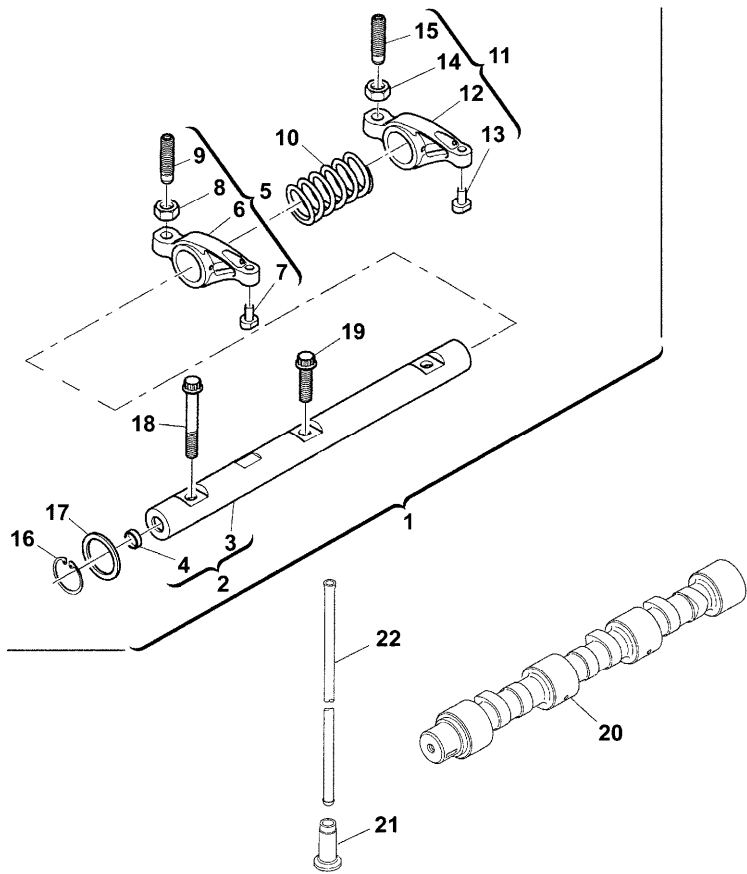
RT61\000030.996.png

A-05
07



A0507

Rocker shaft



Inglese

17	2134A502	!	1	2	Washer
18	2316A901	!	1	1	Screw
19	2316A902	!	1	3	Screw
20	3141A003	T-A	15:0	1	Shaft
21	3142U031	●	3142U991(6)	6	Tappet
		T-A	15:25		
22	31434307	T-A	2:75	6	Rod

- ! This is a component of an assembly
- ▣ Not serviced, order
- Replacement
- T-A Replacement

Buy Now



Our support email:

ebooklibonline@outlook.com