

Engine

V series Cab Tier 2 New Generation (2005-2007) - RP03 - V75

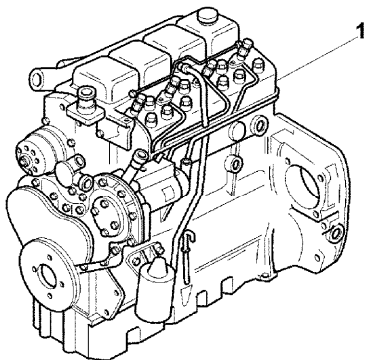
RP03\000030.400.png

A-05
01



A0501

Engine assembly - "1004-42"green engine



		Inglese
1	3675502M93 A	1 Engine
	Perkins - re38102	
	T-A 10:50	
	T-B 30:50	
1	4208139M91 B	1 Engine
	T-A Replacement	
	T-B Overhaul	
	A Standard version	
	B For market "ue"	

Engine

V series Cab Tier 2 New Generation (2005-2007) - RP03 - V75

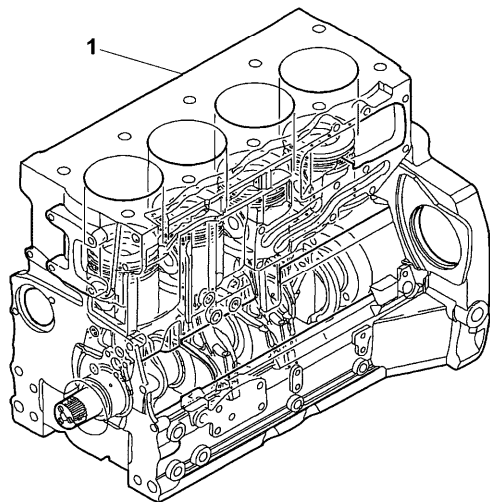
RP03\000030.871.png

A-05
015



A05015

Short engine



- | | | | | | | |
|---|---------|-----|----------------------------------|---------|---|--------------|
| 1 | RE40002 | ➔ | U491476 t | Inglese | 1 | Engine |
| | | ● | 3115A141(1),
32186146(3), RE4 | | | |
| | | T-A | 30:0 | | | |
| 1 | RE40021 | ➔ | U491477 t | | 1 | Short engine |
- ➔ From serial or engine number
 ➔ Up to serial or engine number
 ● Replacement
 T-A Replacement

Engine

V series Cab Tier 2 New Generation (2005-2007) - RP03 - V75

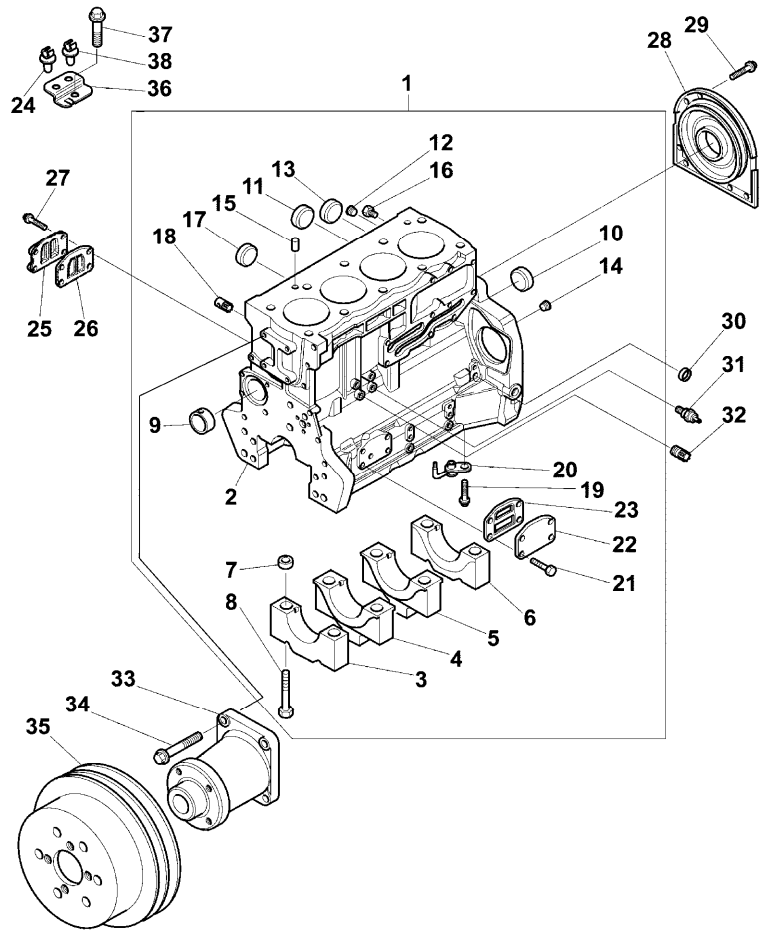
RP03\000031.729.png

A-05
02



A0502

Cylinder block



Inglese

-	A		
1	ZZ50312	● ZZ50325(1)	1 Kit
		T-A 30:50	
2		! 1	1 Cylinder
		➤ Zz50312	
3		! 1	1 Bearing
		➤ Zz50312	
4		! 1	1 Bearing
		➤ Zz50312	
5		! 1	1 Bearing
		➤ Zz50312	
6		! 1	1 Bearing
		➤ Zz50312	
7	33142111	! 1	8 Manicott
8	32166329	! 1	8 Screw
9	3112D071	! 1	1 Bush
		● 3112D075(1)	
10	3241A012	! 1	1 Plug
11	3241A011	! 1	2 Plug
12	0650588	! 1	1 Plug
13	0650710	! 1	1 Plug
14	3212P008	! 1	1 Plug
15	3244A009	! 1	2 Dowel
16	32141316	! 1	2 Plug
17	2485A108	! 1	1 Plug

Engine

V series Cab Tier 2 New Generation (2005-2007) - RP03 - V75

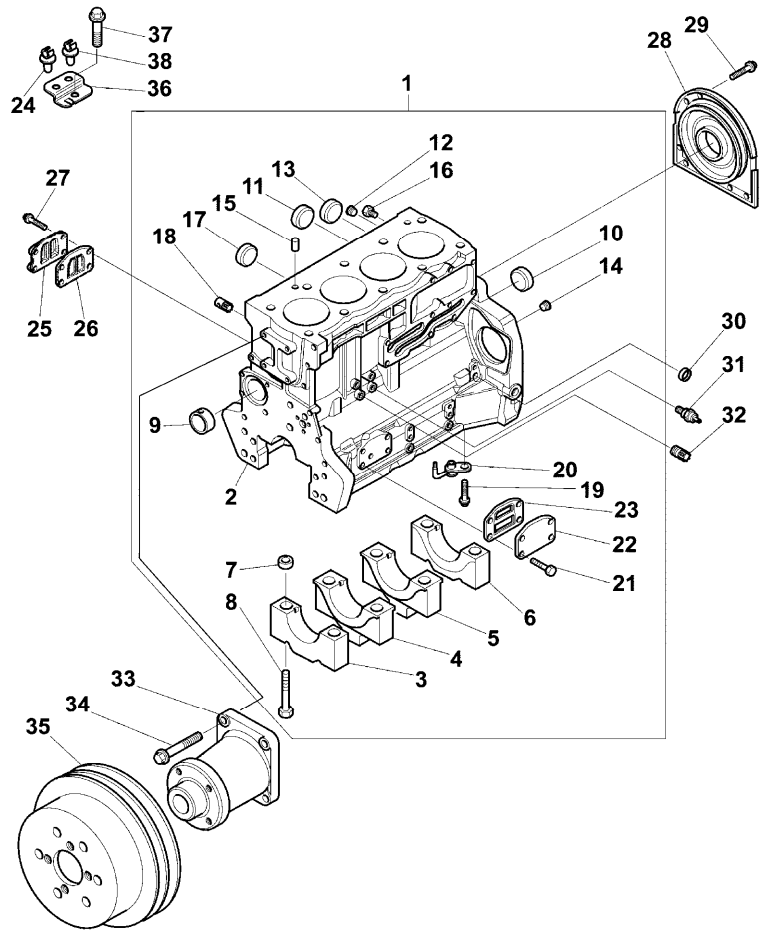
RP03\000031.729.png

A-05
02



A0502

Cylinder block



		Inglese
18	3212V006 ! 1	1 Plug
19	2314F001 ! 1	4 Screw
20	2113A001 ! 1	4 Atomiser
	● 2113A003(4)	
21	2314H033 ! 1	4 Screw
22	3623A009 ! 1	1 Plate
	T-A 0:50	
23	3688A039 ! 1	1 Gasket
	T-A 0:50	
24	2481D558	1 Clip
25	3753A071 T-A 0:50	1 Coperch.
26	3688A041 T-A 0:50	1 Ring
27	2314H034	4 Screw
28	2418F704 T-A 11:0	1 Housing
29	3211C002	10 Screw
30	2485A109	1 Plug
31	2848062 ● 4172E054(1)	1 Switch
	B	
	T-A 0:25	
32	3212V005	1 Plug
33	4113K005 T-A 2:0	1 Housing
34	2314J005	4 Screw
35	3115C111 T-A 2:0	1 Pulley
36	3651A016 T-A 2:0	1 Support
37	2314H002	1 Screw

Engine

A-05
02

Cylinder block




V series Cab Tier 2 New Generation (2005-2007) - RP03 - V75

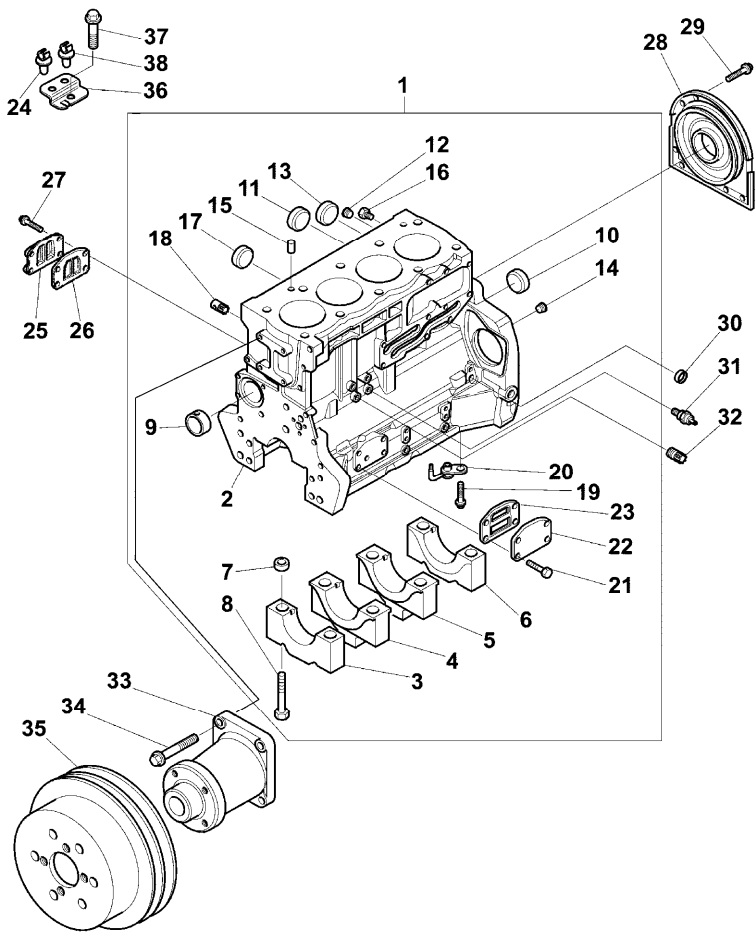


A0502

RP03\000031.729.png

Inglese

- 38 2481D556  2481D558(1) 1 Clip
- ! This is a component of an assembly
-  Not serviced, order
-  Replacement
- T-A Replacement
- A Standard version
- B Oil pressure



Engine

V series Cab Tier 2 New Generation (2005-2007) - RP03 - V75

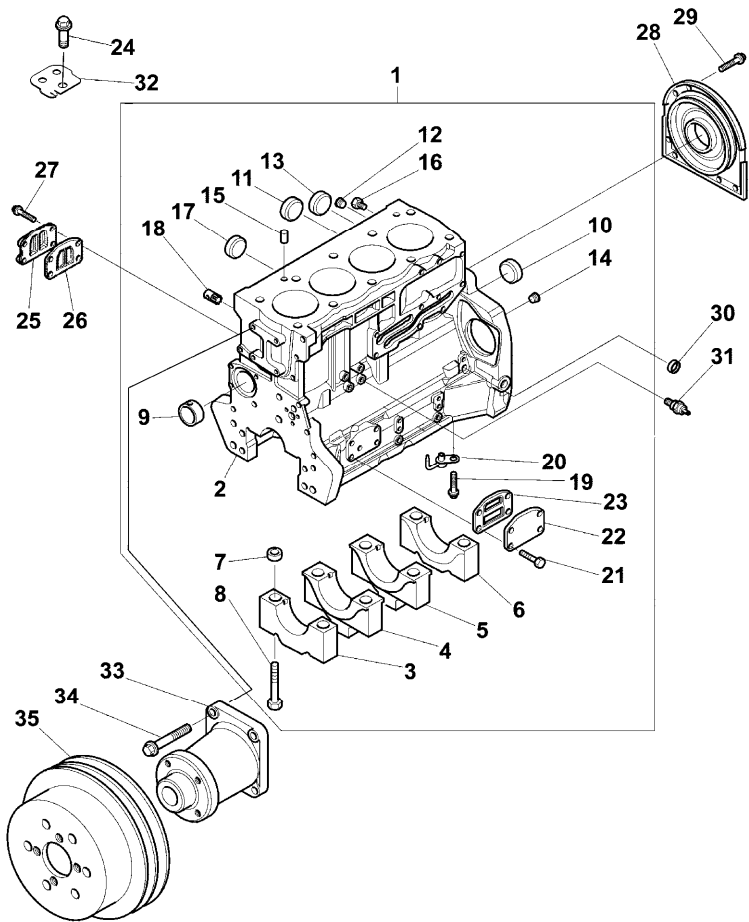
RP03\000032.710.png

**A-05
025**



A05025

Cylinder block



Inglese

-	A		
1	ZZ50312	● ZZ50325(1)	1 Kit
		T-A 30:50	
2		! 1	1 Cylinder
		➤ Zz50312	
3		! 1	1 Bearing
		➤ Zz50312	
4		! 1	1 Bearing
		➤ Zz50312	
5		! 1	1 Bearing
		➤ Zz50312	
6		! 1	1 Bearing
		➤ Zz50312	
7	33142111	! 1	8 Manicott
8	32166329	! 1	8 Screw
9	3112D071	! 1	1 Bush
		● 3112D075(1)	
10	3241A012	! 1	1 Plug
11	3241A011	! 1	2 Plug
12	0650588	! 1	1 Plug
13	0650710	! 1	1 Plug
14	3212P008	! 1	1 Plug
15	3244A009	! 1	2 Dowel
16	32141316	! 1	2 Plug
17	2485A108	! 1	1 Plug

Engine

V series Cab Tier 2 New Generation (2005-2007) - RP03 - V75

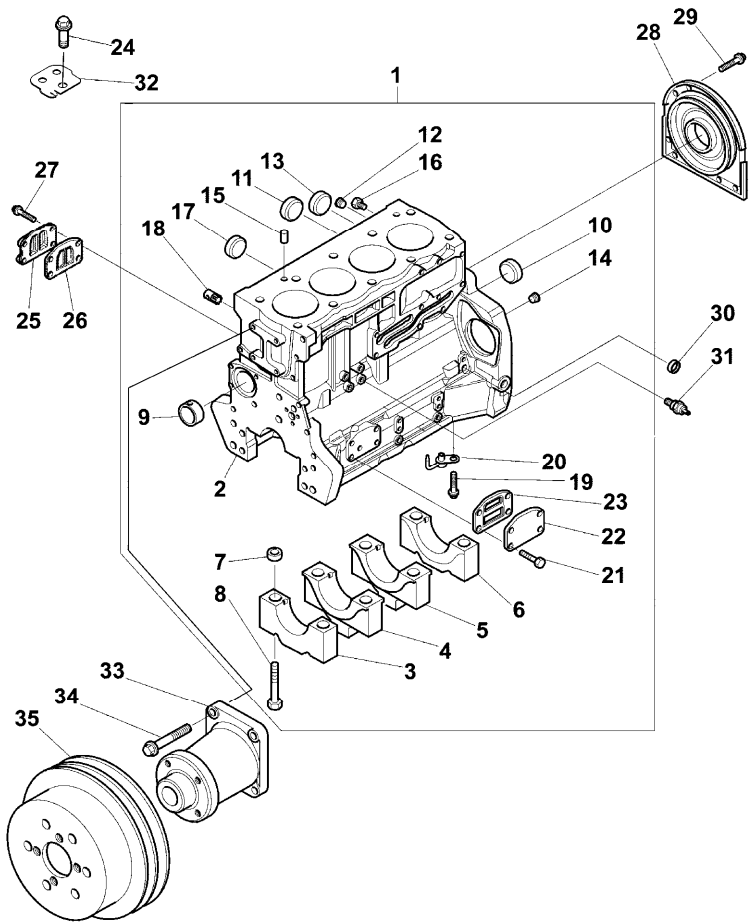
RP03\000032.710.png

**A-05
025**



A05025

Cylinder block



		Inglese		
18	3212V006	!	1	1 Plug
19	2314F001	!	1	4 Screw
20	2113A001	!	1	4 Atomiser
		●	2113A003(4)	
21	2314H033	!	1	4 Screw
22	3623A009	!	1	1 Plate
		T-A	0:50	
23	3688A039	!	1	1 Gasket
		T-A	0:50	
24	2314H002			1 Screw
25	3753A071	T-A	0:50	1 Coperch.
26	3688A041	T-A	0:50	1 Ring
27	2314H034			4 Screw
28	2418F704	T-A	11:0	1 Housing
29	3211C002			10 Screw
30	2485A109			1 Plug
31	2848062	●	4172E054(1)	1 Switch
		B		
		T-A	0:25	
32	3653A017	T-A	2:0	1 Support
33	4113K005	T-A	2:0	1 Housing
34	2314J005			4 Screw
35	3115C111	T-A	2:0	1 Pulley

- ! This is a component of an assembly
- ▣ Not serviced, order
- Replacement

Engine

**A-05
025**

Cylinder block

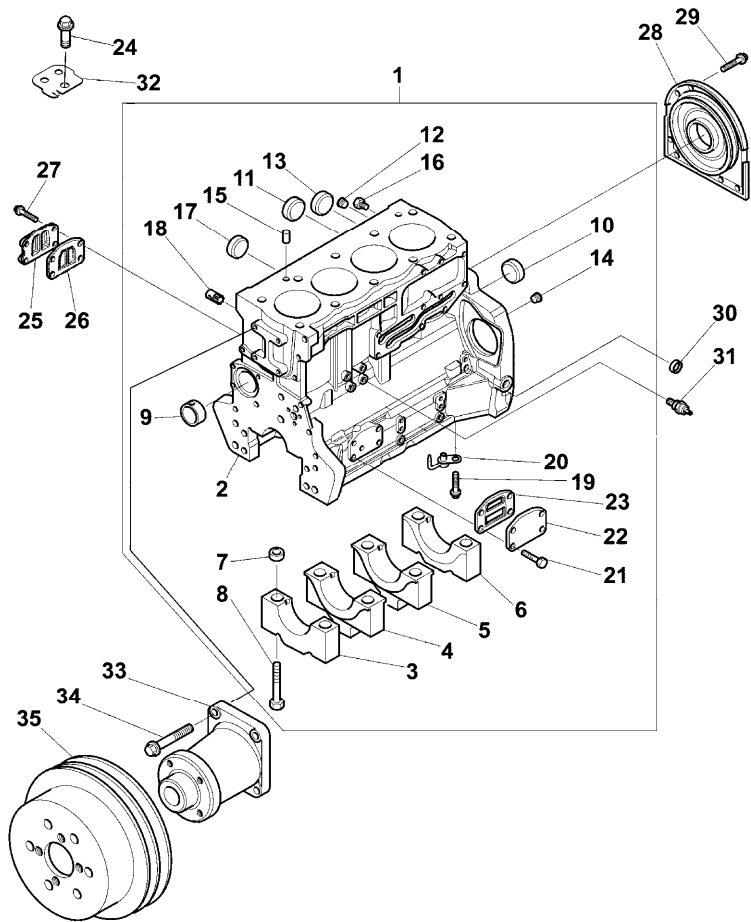
V series Cab Tier 2 New Generation (2005-2007) - RP03 - V75



A05025

RP03\000032.710.png

- T-A Replacement
- A For market "ue"
- B Oil pressure



Engine

V series Cab Tier 2 New Generation (2005-2007) - RP03 - V75

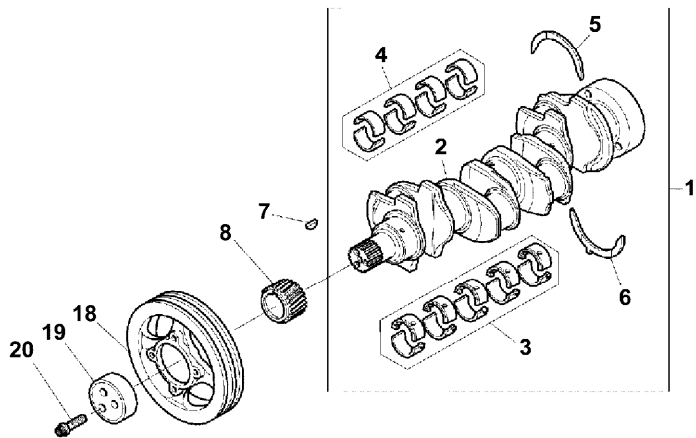
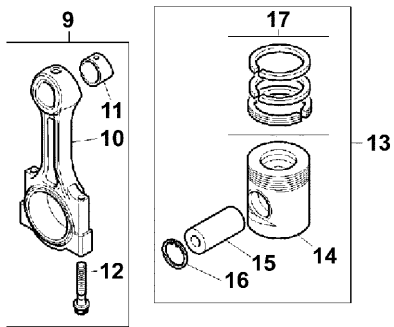
RP03\000030.402.png

A-05
03



A0503

Crankshaft, pistons and connecting rods



Inglese

-	G		
1	ZZ90224	➔ U491476 t	1 Kit
		● ZZ90239(1)	
		T-A 18:50	
1	ZZ90237	➔ U491477 t	1 Shaft
2		! 1	1 Crankshaft
		➔ Zz90224	
3	U5MB0018	! 1	1 Kit
		● U5MB0033(1)	
		T-A 18:50	
3	U5MB0018A	✂ (+)0.010"	1 Kit
		! 1	
		● U5MB0033A(1)	
		T-A 18:50	
3	U5MB0018B	✂ (+)0.020"	1 Kit
		! 1	
		● U5MB0033B(1)	
3	U5MB0018C	✂ (+)0.030"	1 Kit
		! 1	
		● N.L.A.(1)	
		T-A 18:50	
4	U5ME0013	! 1	1 Kit
		● U5ME0034(1)	
		T-A 18:50	

Engine

V series Cab Tier 2 New Generation (2005-2007) - RP03 - V75

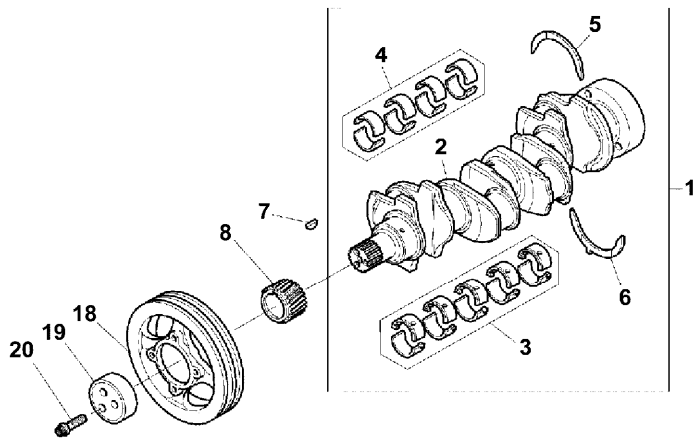
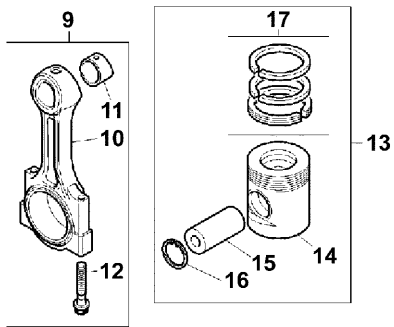
RP03\000030.402.png

A-05
03



A0503

Crankshaft, pistons and connecting rods



Inglese

4	U5ME0013A	✂ (+)0.010"	!	1	1 Kit
			●	U5ME0034A(1)	
			T-A	18:50	
4	U5ME0013B	✂ (+)0.020"	!	1	1 Kit
			●	U5ME0034B(1)	
			T-A	18:50	
4	U5ME0013C	✂ (+)0.030"	!	1	1 Kit
			●	U5ME0034C(1)	
			T-A	18:50	
5	31137312	✂ (+)0.007"	!	1	2 Ring
			T-A	18:50	
5	31137551	!	!	1	2 Washer
			T-A	18:50	
6	31137322	✂ (+)0.007"	!	1	2 Ring
			T-A	18:50	
6	31137561	!	!	1	2 Washer
			T-A	18:50	
7	0500012				1 Key
8	3117C221	T-A		13:0	1 Gear

Engine

V series Cab Tier 2 New Generation (2005-2007) - RP03 - V75

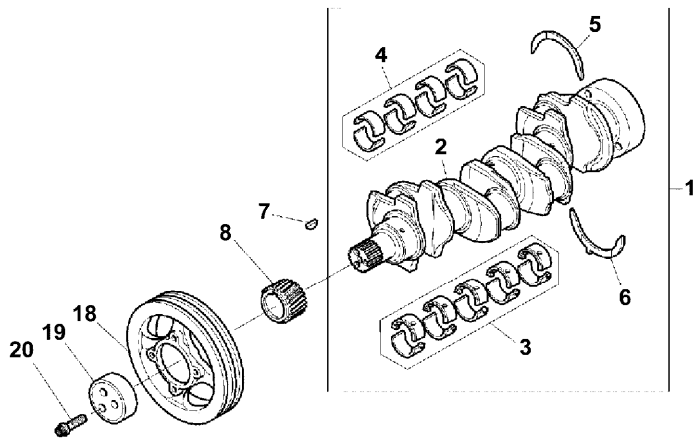
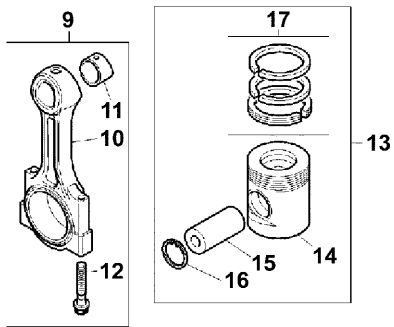
RP03\000030.402.png

A-05
03



A0503

Crankshaft, pistons and connecting rods



		Inglese	
9	4115C311	➔ U491477 t D T-A 17:0	4 Kit
9	4115C312	➔ U491477 t E T-A 17:0	4 Kit
9	4115C313	➔ U491477 t F	4 Kit
9	4115C314	➔ U491477 t C T-A 17:0	4 Kit
9	4115C315	➔ U491477 t B T-A 17:0	4 Kit
9	4115C316	➔ U491477 t A T-A 17:0	4 Kit
9	4115C361	➔ U491478 t D	4 Conrod
9	4115C362	➔ U491478 t E	4 Conrod
9	4115C363	➔ U491478 t F	4 Conrod
9	4115C364	➔ U491478 t C	4 Conrod

Engine

V series Cab Tier 2 New Generation (2005-2007) - RP03 - V75

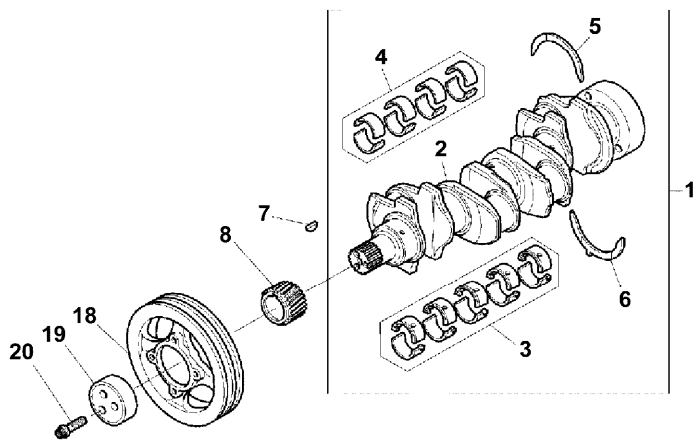
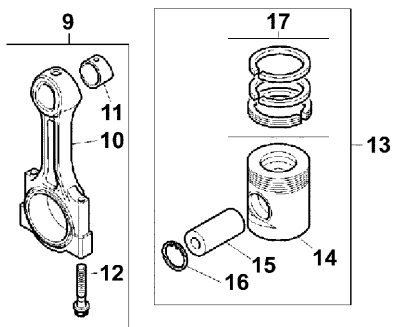
RP03\000030.402.png

A-05
03



A0503

Crankshaft, pistons and connecting rods



Inglese

9	4115C365	➡	U491478 t	4	Conrod
			B		
9	4115C366	➡	U491478 t	4	Conrod
			A		
10		!	9	1	Conrod
		➡	Ref.n.9		
11	3112A005	!	9	1	Bush
			T-A 17:0		
12	3212V003	!	9	2	Screw
13	4115P011	T-A	17:0	4	Kit
14		!	13	1	Piston
		➡	4115p011		
15		!	13	1	Pin
		➡	4115p011		
16	2721332	!	13	2	Ring
17	UPRK0003	!	13	1	Kit
			T-A 17:0		
18	3115T051	T-A	2:0	1	Pulley
19	3241N001	T-A	2:0	1	Block
20	32186137			3	Screw

- ! This is a component of an assembly
- ➡ From serial or engine number
- ➡ Up to serial or engine number
- ➡ Not serviced, order
- ⚡ Shim
- Replacement
- T-A Replacement

Engine

A-05
03

Crankshaft, pistons and connecting rods

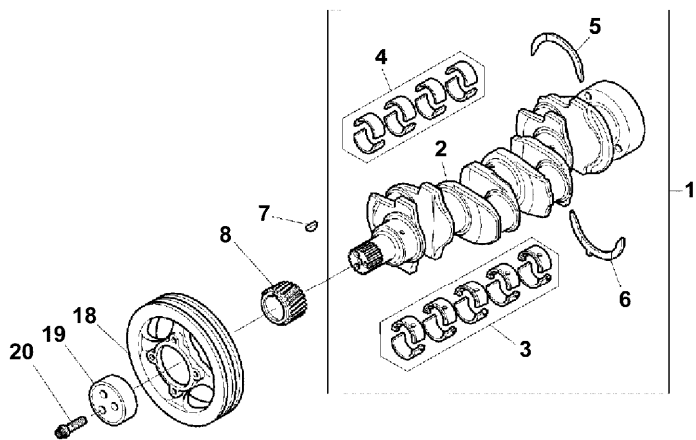
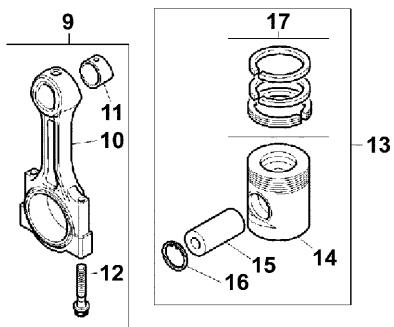
V series Cab Tier 2 New Generation (2005-2007) - RP03 - V75



A0503

RP03\000030.402.png

- A Blue
- B Purple
- C Green
- D Red
- E Orange
- F White
- G Standard version



Engine

V series Cab Tier 2 New Generation (2005-2007) - RP03 - V75

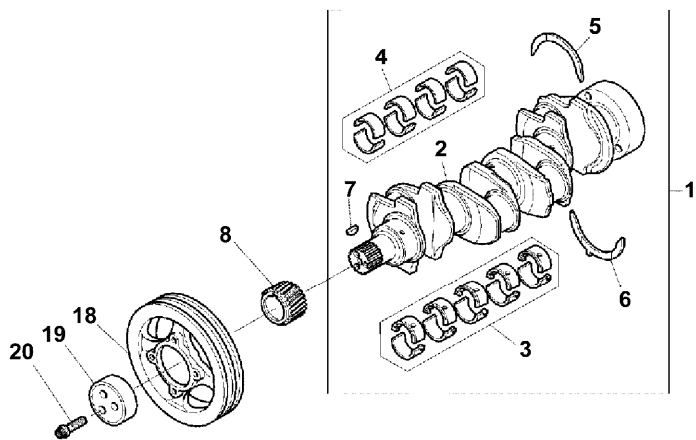
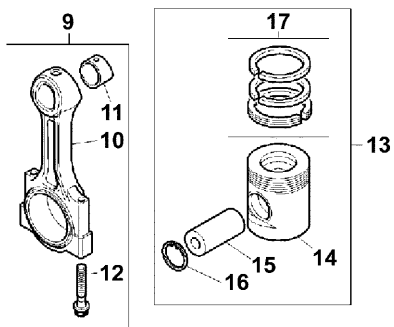
RP03\000032.711.png

A-05
035



A05035

Crankshaft, pistons and connecting rods



Inglese

-	G		
1	ZZ90224	➔ U491476 t	1 Kit
		● ZZ90239(1)	
		T-A 18:50	
1	ZZ90237	➔ U491477 t	1 Shaft
2		! 1	1 Crankshaft
		➔ Zz90224	
3	U5MB0018	! 1	1 Kit
		● U5MB0033(1)	
		T-A 18:50	
3	U5MB0018A	✂ (+)0.010"	1 Kit
		! 1	
		● U5MB0033A(1)	
		T-A 18:50	
3	U5MB0018B	✂ (+)0.020"	1 Kit
		! 1	
		● U5MB0033B(1)	
		(X)	
		T-A 18:50	
3	U5MB0018C	✂ (+)0.030"	1 Kit
		! 1	
		● N.L.A.(1)	
		T-A 18:50	
4	T400002	! 1	1 Kit
		➔ U491477 t	
		● T410927(1)	

Buy Now



Our support email:

ebooklibonline@outlook.com