

Engine

V series Cab Tier 2 New Generation (2005-2007) - RP03 - V85

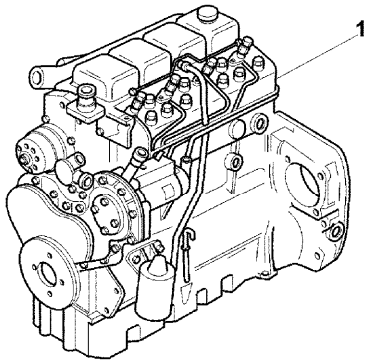
RP03\000030.400.png

A-05
01



A0501

Engine assembly - "1004-42"green engine



- 1 3668835M93 A
 - T-A 10:50
 - T-B 30:50

- 1 4208140M91 B
 - T-A Replacement
 - T-B Overhaul
 - A Standard version
 - B For market "ue"

Inglese
1 Engine

1 Engine

Engine

V series Cab Tier 2 New Generation (2005-2007) - RP03 - V85

RP03\000030.871.png

A-05
015



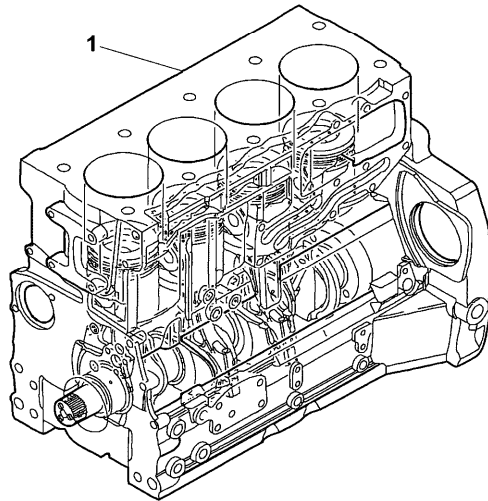
A05015

Short engine

Inglese

- | | | | | | |
|---|---------|---|----------------------------------|---|--------------|
| 1 | RE40002 | ➔ | U491476 t | 1 | Engine |
| | | ● | 3115A141(1),
32186146(3), RE4 | | |
| 1 | RE40021 | ➔ | U491477 t | 1 | Short engine |

- ➔ From serial or engine number
- ➔ Up to serial or engine number
- Replacement



Engine

V series Cab Tier 2 New Generation (2005-2007) - RP03 - V85

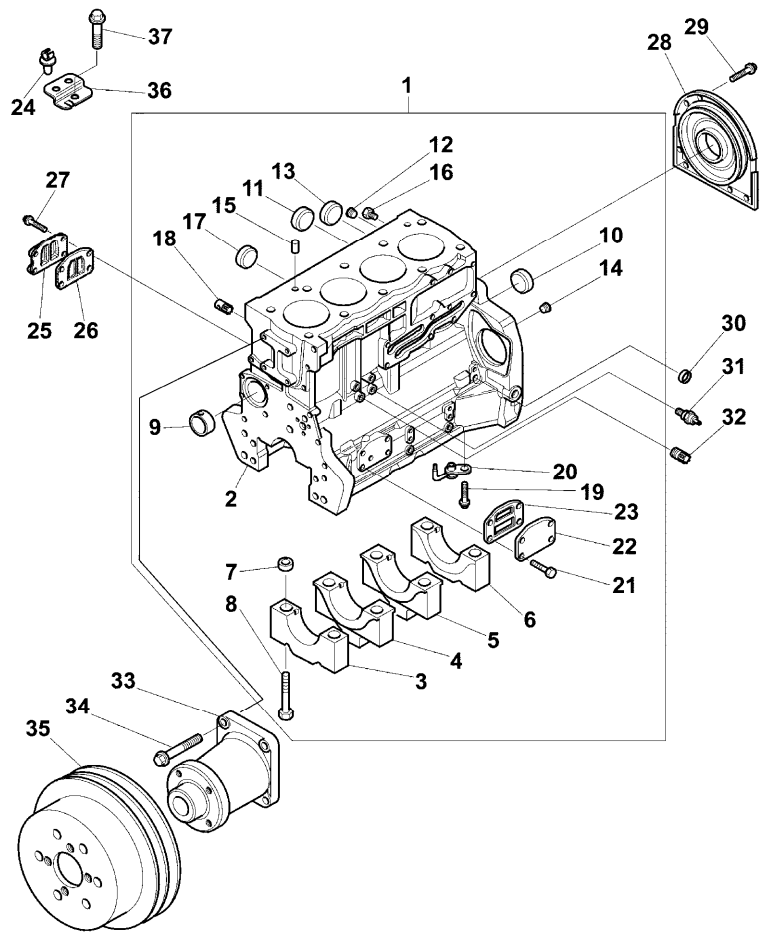
RP03\000031.964.png

A-05
02



A0502

Cylinder block



Inglese

-	A		
1	ZZ50312	● ZZ50325(1)	1 Kit
		T-A 30:50	
2		! 1	1 Cylinder
		▣ Zz50312	
3		! 1	1 Bearing
		▣ Zz50312	
4		! 1	1 Bearing
		▣ Zz50312	
5		! 1	1 Bearing
		▣ Zz50312	
6		! 1	1 Bearing
		▣ Zz50312	
7	33142111	! 1	10 Manicott
8	32166329	! 1	10 Screw
9	3112D071	! 1	1 Bush
		● 3112D075(1)	
10	3241A012	! 1	1 Plug
11	3241A011	! 1	2 Plug
12	0650588	! 1	1 Plug
13	0650710	! 1	1 Plug
14	3212P008	! 1	1 Plug
15	3244A009	! 1	2 Dowel
16	32141316	! 1	2 Plug
17	2485A108	! 1	1 Plug

Engine

V series Cab Tier 2 New Generation (2005-2007) - RP03 - V85

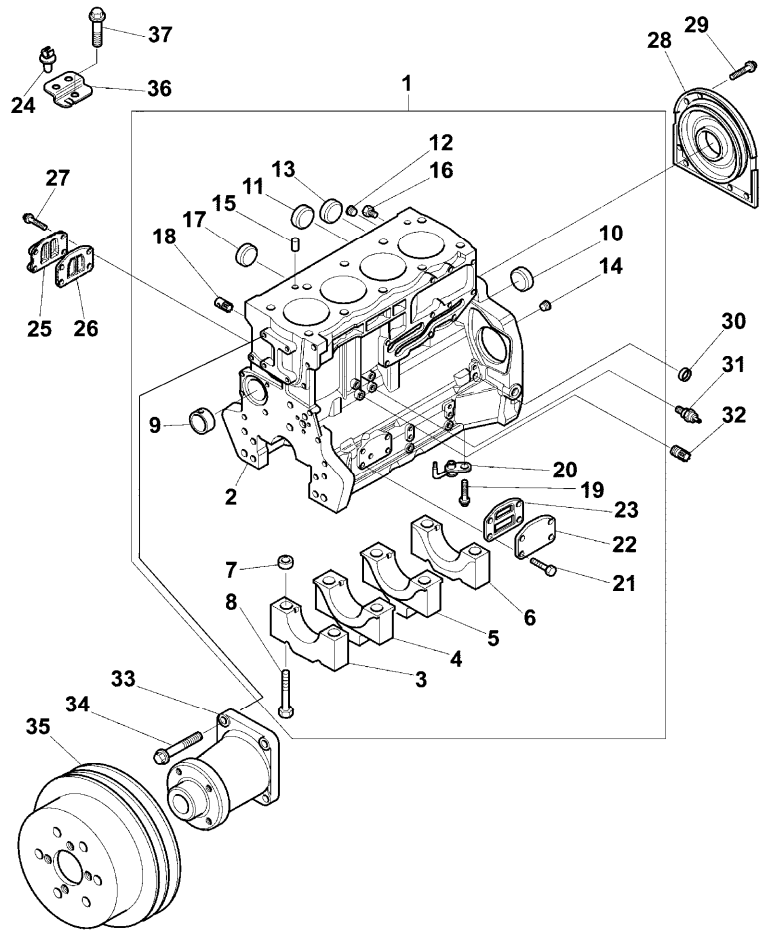
RP03\000031.964.png

A-05
02



A0502

Cylinder block



		Inglese	
18	3212V006	!	1 Plug
19	2314F001	!	4 Screw
20	2113A001	!	4 Atomiser
		●	2113A003(4)
21	2314H033	!	4 Screw
22	3623A009	!	1 Plate
		T-A	0:50
23	3688A039	!	1 Gasket
		T-A	0:50
24	2481D556	●	1 Clip
25	3753A081	T-A	0:50 Coperch.
26	3688A041	T-A	0:50 Ring
27	2314H034		4 Screw
28	2418F704	T-A	11:0 Housing
29	3211C002		10 Screw
30	2485A109		1 Plug
31	2848062	●	1 Switch
		B	
		T-A	0:25
32	3212V005		1 Plug
33	4113K005	T-A	2:0 Housing
34	2314J005		4 Screw
35	3115C111	T-A	2:0 Pulley
36	3651A016	T-A	2:0 Support
37	2314H002		1 Screw

Engine

A-05
02



Cylinder block

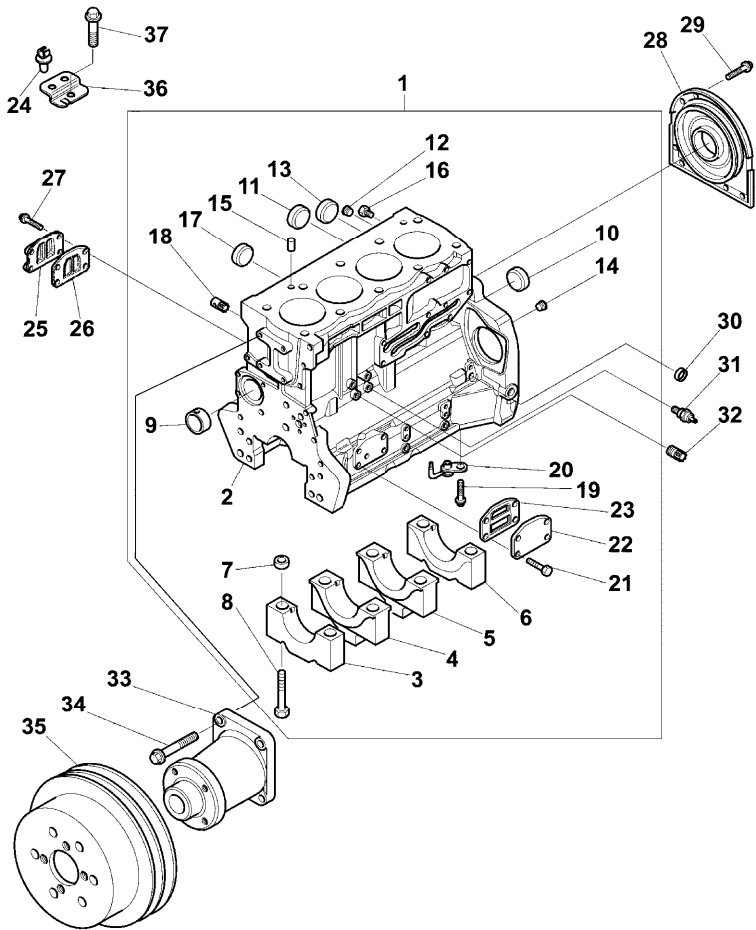
V series Cab Tier 2 New Generation (2005-2007) - RP03 - V85



A0502

RP03\000031.964.png

- ! This is a component of an assembly
-  Not serviced, order
-  Replacement
- T-A Replacement
- A Standard version
- B Oil pressure



Engine

V series Cab Tier 2 New Generation (2005-2007) - RP03 - V85

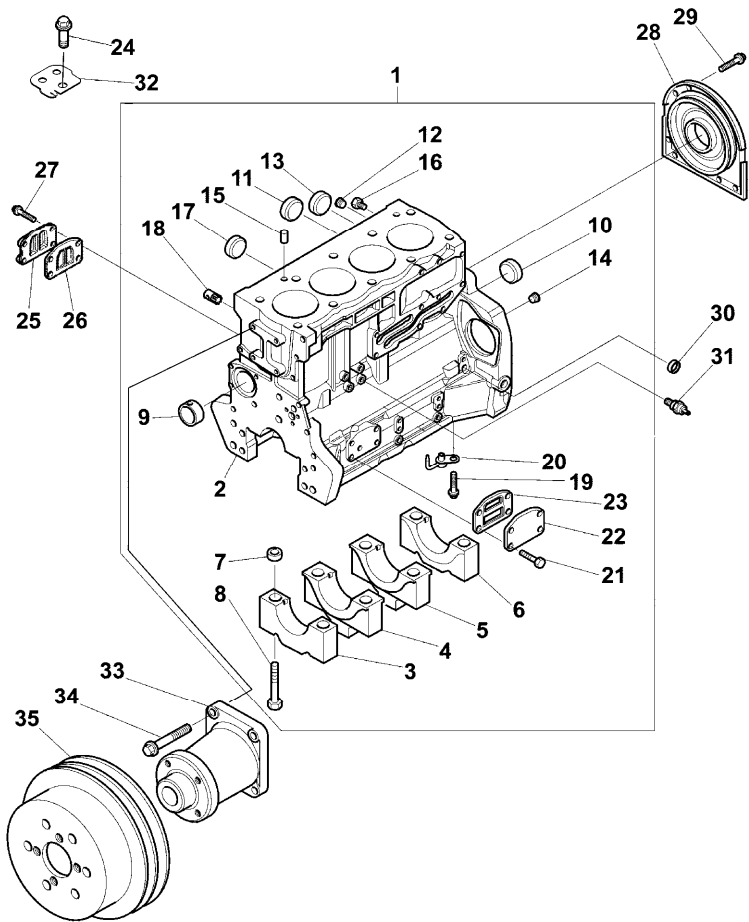
RP03\000032.710.png

**A-05
025**



A05025

Cylinder block



Inglese

-	A		
1	ZZ50312	● ZZ50325(1)	1 Kit
		T-A 30:50	
2		! 1	1 Cylinder
		▣ Zz50312	
3		! 1	1 Bearing
		▣ Zz50312	
4		! 1	1 Bearing
		▣ Zz50312	
5		! 1	1 Bearing
		▣ Zz50312	
6		! 1	1 Bearing
		▣ Zz50312	
7	33142111	! 1	10 Manicott
8	32166329	! 1	10 Screw
9	3112D071	! 1	1 Bush
		● 3112D075(1)	
10	3241A012	! 1	1 Plug
11	3241A011	! 1	2 Plug
12	0650588	! 1	1 Plug
13	0650710	! 1	1 Plug
14	3212P008	! 1	1 Plug
15	3244A009	! 1	2 Dowel
16	32141316	! 1	2 Plug
17	2485A108	! 1	1 Plug

Engine

V series Cab Tier 2 New Generation (2005-2007) - RP03 - V85

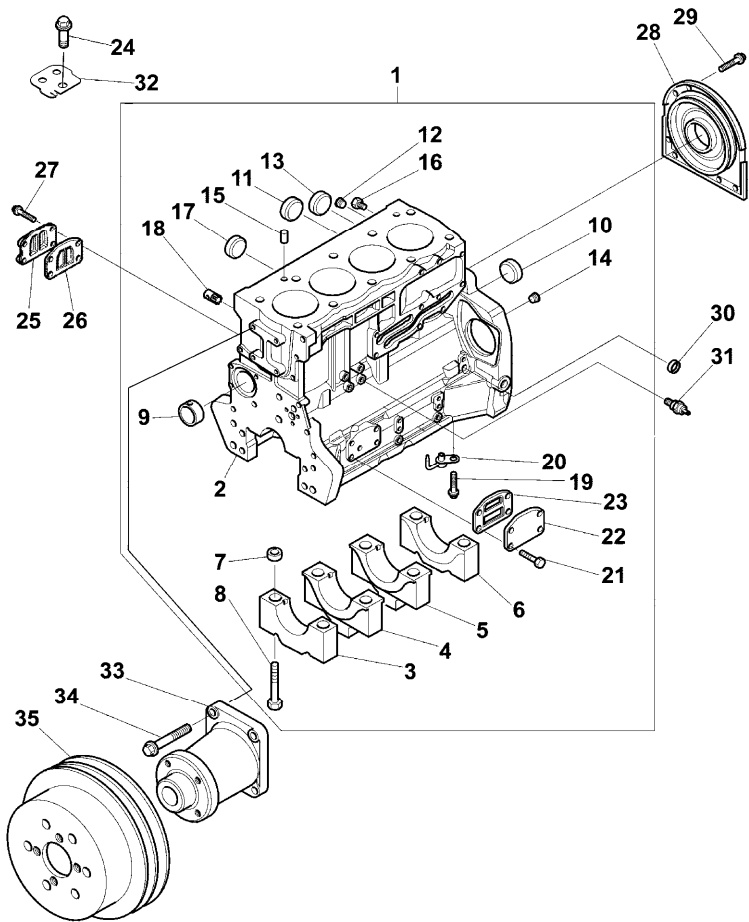
RP03\000032.710.png

A-05
025



A05025

Cylinder block



		Inglese	
18	3212V006 ! 1	1	Plug
19	2314F001 ! 1	4	Screw
20	2113A001 ! 1	4	Atomiser
	● 2113A003(4)		
21	2314H033 ! 1	4	Screw
22	3623A009 ! 1	1	Plate
	T-A 0:50		
23	3688A039 ! 1	1	Gasket
	T-A 0:50		
24	2314H002	1	Screw
25	3753A071 T-A 0:50	1	Coperch.
26	3688A041 T-A 0:50	1	Ring
27	2314H034	4	Screw
28	2418F704 T-A 11:0	1	Housing
29	3211C002	10	Screw
30	2485A109	1	Plug
31	2848062 ● 4172E054(1)	1	Switch
	B		
	T-A 0:25		
32	3653A017 T-A 2:0	1	Support
33	4113K005 T-A 2:0	1	Housing
34	2314J005	4	Screw
35	3115C111 T-A 2:0	1	Pulley

! This is a component of an assembly

▣ Not serviced, order

● Replacement

Engine

A-05
025

Cylinder block

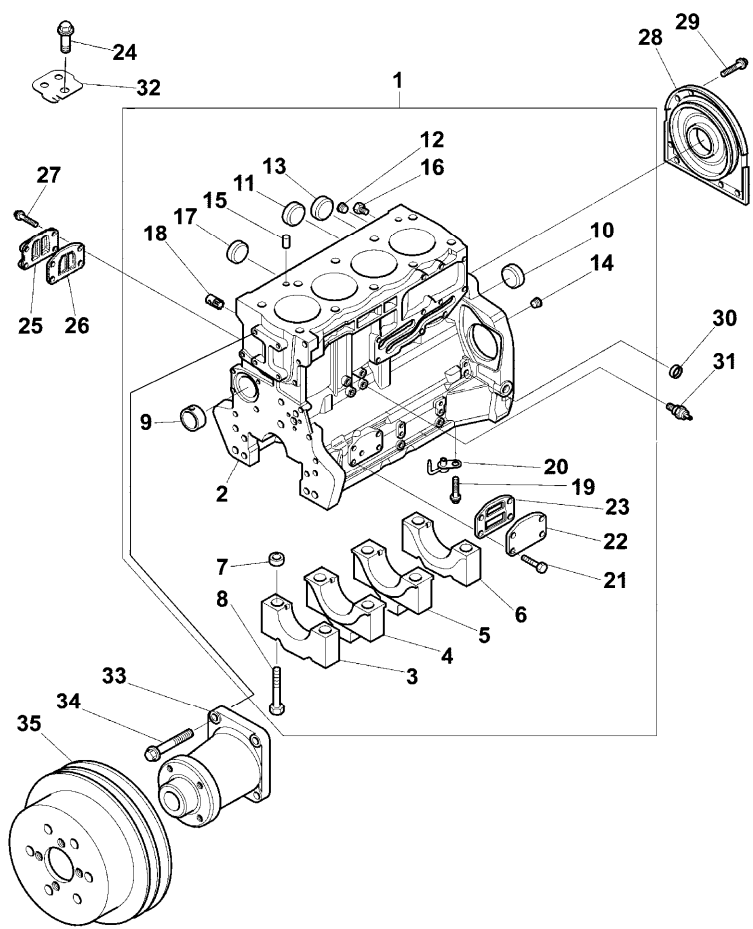
V series Cab Tier 2 New Generation (2005-2007) - RP03 - V85



A05025

RP03\000032.710.png

- T-A Replacement
- A For market "ue"
- B Oil pressure



Engine

V series Cab Tier 2 New Generation (2005-2007) - RP03 - V85

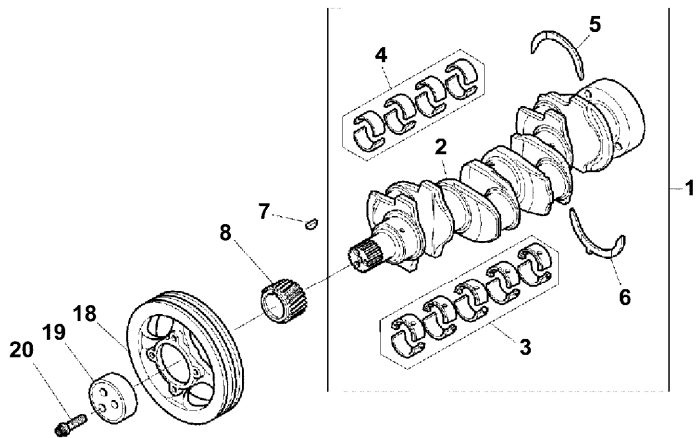
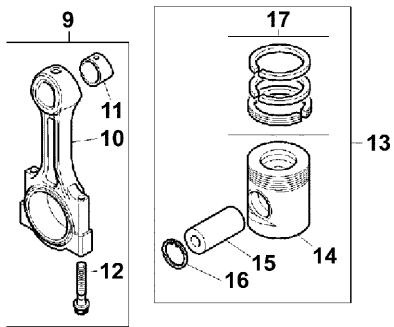
RP03\000030.402.png

A-05
03



A0503

Crankshaft, pistons and connecting rods



Inglese

-	G		
1	ZZ90224	➔ U491476 t	1 Kit
		● ZZ90239(1)	
		T-A 18:50	
1	ZZ90237	➔ U491477 t	1 Shaft
2		! 1	1 Crankshaft
		➔ Zz90224	
3	U5MB0018	! 1	1 Kit
		● U5MB0033(1)	
		T-A 18:50	
3	U5MB0018A	⚡ (+)0.010"	1 Kit
		! 1	
		● U5MB0033A(1)	
		T-A 18:50	
3	U5MB0018B	⚡ (+)0.020"	1 Kit
		! 1	
		● U5MB0033B(1)	
		(X)	
		T-A 18:50	
3	U5MB0018C	⚡ (+)0.030"	1 Kit
		! 1	
		● N.L.A.(1)	
		T-A 18:50	
4	U5ME0013	! 1	1 Kit
		● U5ME0034(1)	
		T-A 18:50	

Engine

V series Cab Tier 2 New Generation (2005-2007) - RP03 - V85

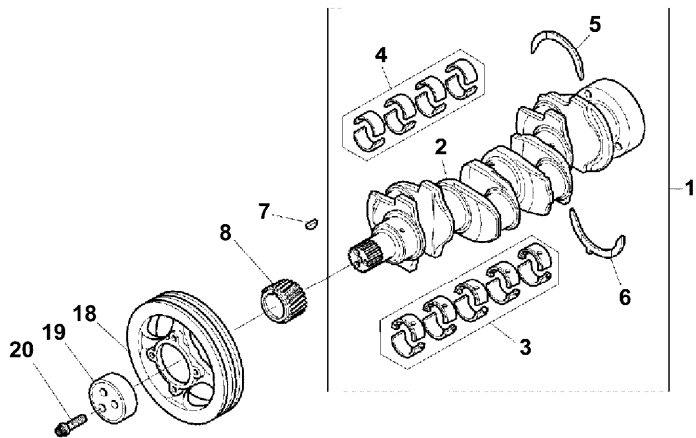
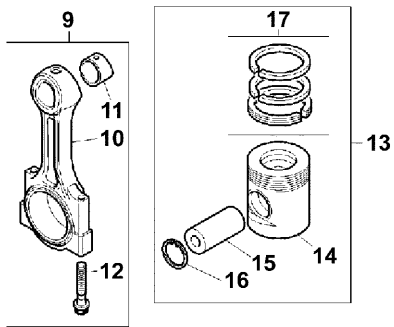
RP03\000030.402.png

A-05
03



A0503

Crankshaft, pistons and connecting rods



		Inglese	
4	U5ME0013A	✂ (+)0.010" ! 1 ● U5ME0034A(1) T-A 18:50	1 Kit
4	U5ME0013B	✂ (+)0.020" ! 1 ● U5ME0034B(1) T-A 18:50	1 Kit
4	U5ME0013C	✂ (+)0.030" ! 1 ● U5ME0034C(1) T-A 18:50	1 Kit
5	31137312	✂ (+)0.007" ! 1 T-A 18:50	2 Ring
5	31137551	! 1 T-A 18:50	2 Washer
6	31137322	✂ (+)0.007" ! 1 T-A 18:50	2 Ring
6	31137561	! 1 T-A 18:50	2 Washer
7	0500012		1 Key
8	3117C221	T-A 13:0	1 Gear

Engine

V series Cab Tier 2 New Generation (2005-2007) - RP03 - V85

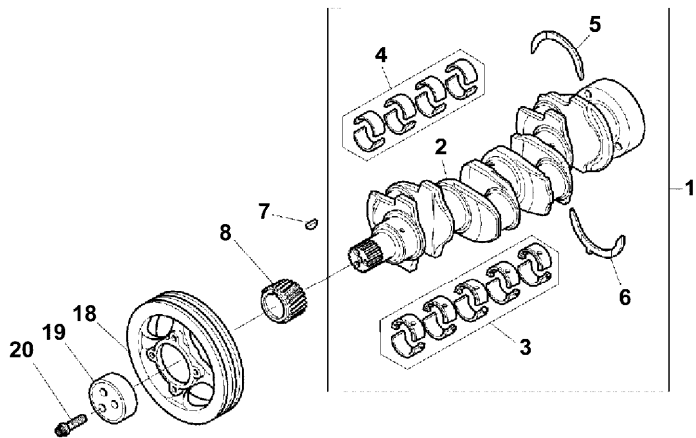
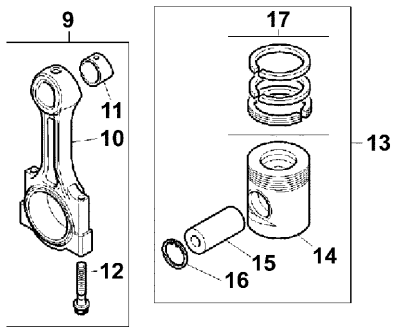
RP03\000030.402.png

A-05
03



A0503

Crankshaft, pistons and connecting rods



Inglese

9	4115C311	➔	U491477 t	4	Kit
			F		
			T-A 17:0		
9	4115C312	➔	U491477 t	4	Kit
			E		
			T-A 17:0		
9	4115C313	➔	U491477 t	4	Kit
			D		
			T-A 18:50		
9	4115C314	➔	U491477 t	4	Kit
			C		
			T-A 17:0		
9	4115C315	➔	U491477 t	4	Kit
			B		
			T-A 17:0		
9	4115C316	➔	U491477 t	4	Kit
			A		
			T-A 17:0		
9	4115C361	➔	U491478 t	4	Conrod
			F		
9	4115C362	➔	U491478 t	4	Conrod
			E		
9	4115C363	➔	U491478 t	4	Conrod
			D		
9	4115C364	➔	U491478 t	4	Conrod
			C		

Engine

V series Cab Tier 2 New Generation (2005-2007) - RP03 - V85

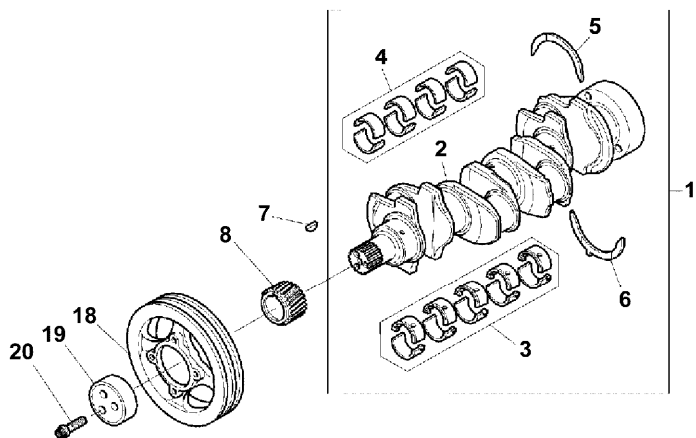
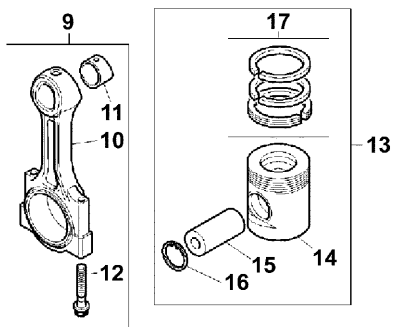
RP03\000030.402.png

A-05
03



A0503

Crankshaft, pistons and connecting rods



		Inglese	
9	4115C365	➡ U491478 t B	4 Conrod
9	4115C366	➡ U491478 t A	4 Conrod
10		! 9 ➡ Ref.n.9	1 Conrod
11	3112A005	! 9 T-A 17:0	1 Bush
12	3212V003	! 9	2 Screw
13	4115P011	T-A 17:0	4 Kit
14		! 13 ➡ 4115p011	1 Piston
15		! 13 ➡ 4115p011	1 Pin
16	2721332	! 13	2 Ring
17	UPRK0003	! 13 T-A 17:0	1 Kit
18	3115T051	T-A 2:0	1 Pulley
19	3241N001	T-A 2:0	1 Block
20	32186137		3 Screw

- ! This is a component of an assembly
- ➡ From serial or engine number
- ➡ Up to serial or engine number
- ➡ Not serviced, order
- ⚡ Shim
- Replacement

(X) Qty per tractors sold (aa.bbb.ccc.ddd) (aa) for 1,(bbb) 2-10 (ccc) 11-25 (ddd) 26-50

Engine

A-05
03

Crankshaft, pistons and connecting rods

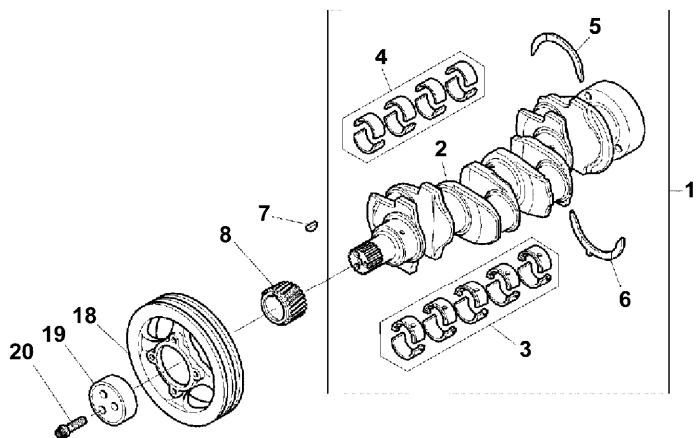
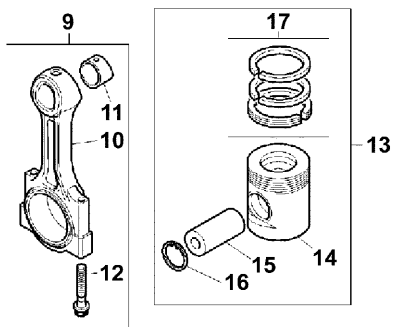
V series Cab Tier 2 New Generation (2005-2007) - RP03 - V85



A0503

RP03\000030.402.png

- T-A Replacement
- A Blue
- B Purple
- C Green
- D White
- E Orange
- F Red
- G Standard version



Engine

V series Cab Tier 2 New Generation (2005-2007) - RP03 - V85

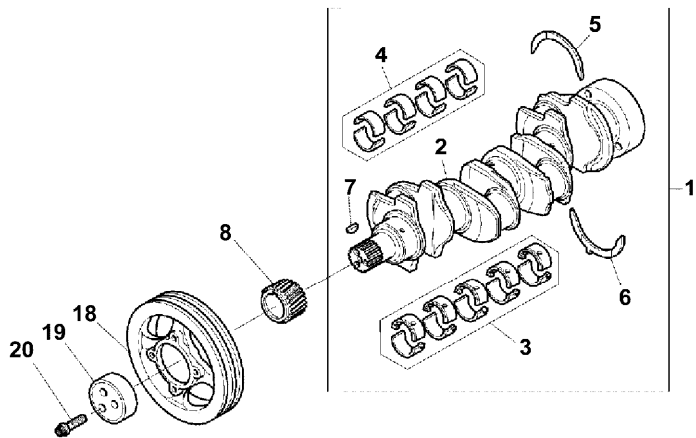
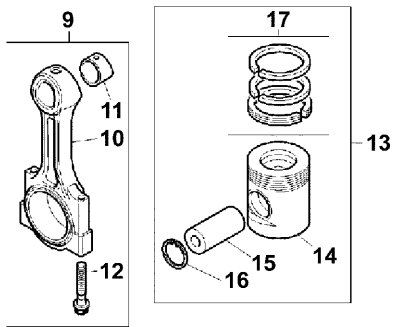
RP03\000032.711.png

A-05
035



A05035

Crankshaft, pistons and connecting rods



Inglese

-	G		
1	ZZ90224	➔ U491476 t	1 Kit
		● ZZ90239(1)	
		T-A 18:50	
1	ZZ90237	➔ U491477 t	1 Shaft
2		! 1	1 Crankshaft
		➔ Zz90224	
3	U5MB0018	! 1	1 Kit
		● U5MB0033(1)	
		T-A 18:50	
3	U5MB0018A	✂ (+)0.010"	1 Kit
		! 1	
		● U5MB0033A(1)	
		T-A 18:50	
3	U5MB0018B	✂ (+)0.020"	1 Kit
		! 1	
		● U5MB0033B(1)	
		(X)	
		T-A 18:50	
3	U5MB0018C	✂ (+)0.030"	1 Kit
		! 1	
		● N.L.A.(1)	
		T-A 18:50	
4	T400002	! 1	1 Kit
		➔ U491477 t	
		● T410927(1)	

Buy Now



Our support email:

ebooklibonline@outlook.com