

Engine

V series Cab Tier 2 New Generation (2005-2007) - RP03 - V80

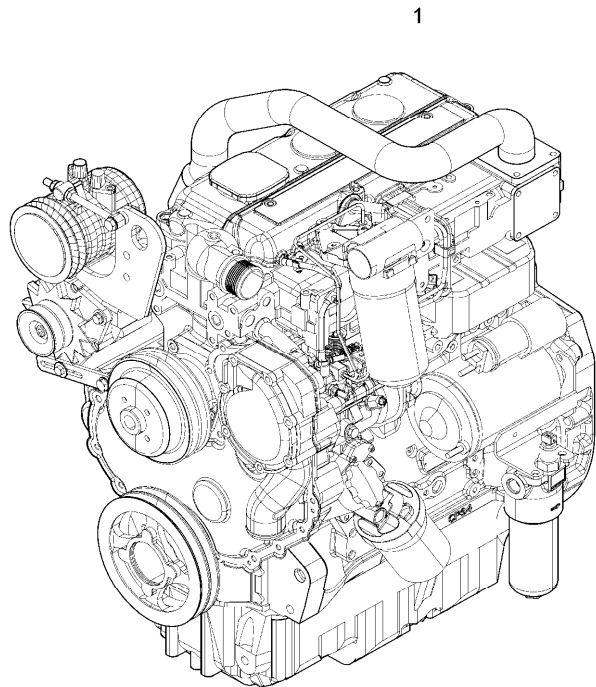
RP03\00005170.png

A-05  
01



A0501

Engine assembly



Inglese

- |   |            |     |               |   |        |
|---|------------|-----|---------------|---|--------|
| 1 | 3670564M91 | ●   | 3670564M93(1) | 1 | Engine |
|   |            | A   |               |   |        |
|   |            | T-A | 10:50         |   |        |
|   |            | T-B | 30:50         |   |        |
| 1 | 4208138J90 | ●   | 4208138M91(1) | 1 | Engine |
|   |            | B   |               |   |        |

- Replacement
- T-A Replacement
- T-B Overhaul
- A Standard version
- B For market "ue"

Engine

V series Cab Tier 2 New Generation (2005-2007) - RP03 - V80

RP03\000031.737.png

**A-05  
015**

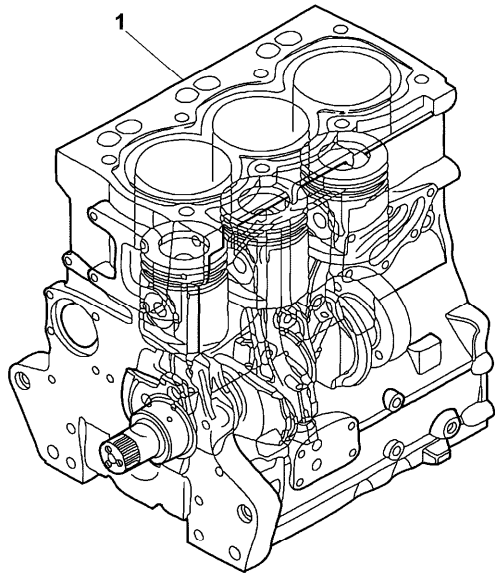


A05015

Short engine

1 DD39165 T-A 25:0  
T-A Replacement

Inglese  
1 Engine



Engine

V series Cab Tier 2 New Generation (2005-2007) - RP03 - V80

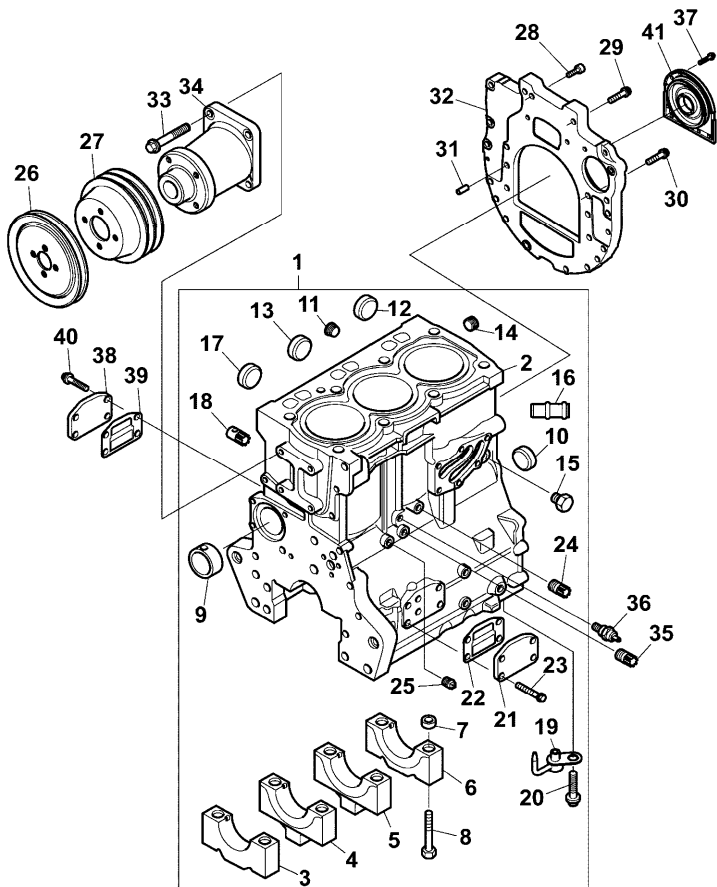
RP03\000031.738.png

A-05  
02



A0502

Cylinder block



Inglese

-	A		
1	4181V016	T-A 30:50	1 Cylinder
2	!	1	1 Cylinder
	➡	4181v016	
3	!	1	1 Bearing
	➡	4181v016	
4	!	1	1 Bearing
	➡	4181v016	
5	!	1	1 Bearing
	➡	4181v016	
6	!	1	1 Bearing
	➡	4181v016	
7	33142111	!	8 Manicott
8	32166329	!	8 Screw
9	3112D071	!	1 Bush
	●	3112D075(1)	
10	3241A012	!	1 Plug
11	0650588	!	1 Plug
12	0650710	!	1 Plug
13	3241A011	!	2 Plug
14	3212P008	!	1 Plug
15	32141316	!	1 Plug
16	3313A022	!	1 Pipe
17	2485A108	!	1 Plug
18	3212V006	!	1 Plug

Engine

V series Cab Tier 2 New Generation (2005-2007) - RP03 - V80

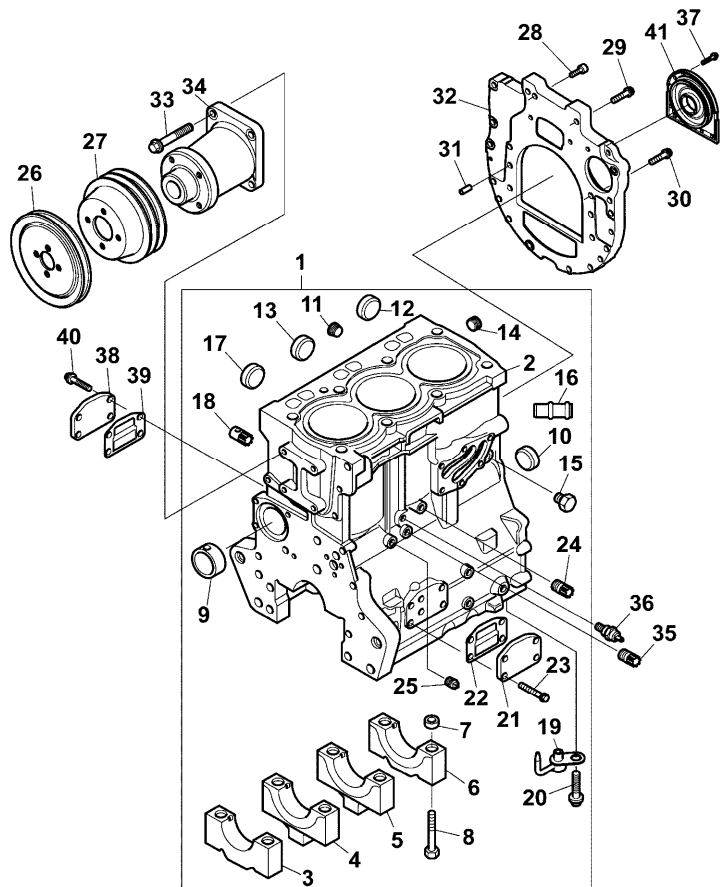
RP03\000031.738.png

A-05  
02



A0502

Cylinder block



			Inglese
19	2113A001	! 1	3 Atomiser
20	2314F001	! 1	3 Screw
21	3623A009	! 1	2 Plate
		T-A 0:50	
22	3688A039	! 1	2 Gasket
		T-A 0:50	
23	2314H033	! 1	8 Screw
24	3212V005	! 1	1 Plug
25	0650594	! 1	1 Plug
26	3114X191	T-A 2:0	1 Pulley
27	3115C113	T-A 2:0	1 Pulley
28	2311D105		1 Screw
29	2314J607		1 Screw
30	2314J203		6 Screw
31	0350025	● 3245A011(2)	2 Dowel
32	3714A062	T-A 6:0	1 Plate
33	2314J005		4 Screw
34	4113K005	T-A 2:0	1 Housing
35	3212V005		1 Plug
36	2848062	● 4172E054(1)	1 Switch
		B	
		T-A 0:25	
37	3211C002		10 Screw
38	3623A009	T-A 0:50	1 Plate

Engine

A-05  
02

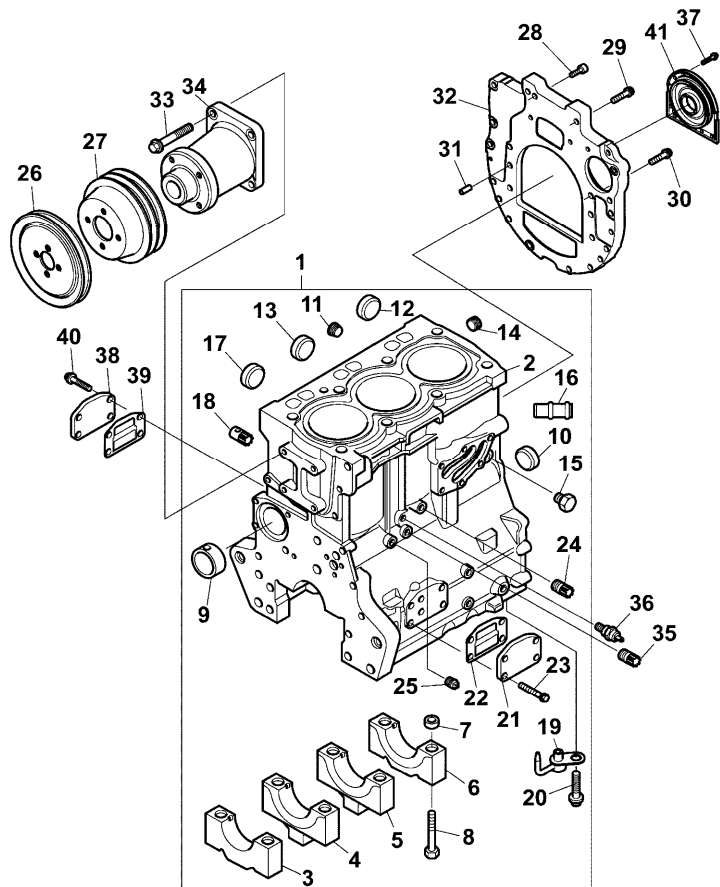
Cylinder block

V series Cab Tier 2 New Generation (2005-2007) - RP03 - V80



A0502

RP03\000031.738.png



Inglese

39	3688A039	T-A	0:50	1	Gasket
40	2314H033			4	Screw
41	2418F704	(X)	0.1.3.	1	Housing
		T-A	11:0		

- ! This is a component of an assembly
- Not serviced, order
- Replacement
- (X) Qty per tractors sold (aa.bbb.ccc.ddd) (aa) for 1,(bbb) 2-10 (ccc) 11-25 (ddd) 26-50
- T-A Replacement
- A Standard version
- B Oil pressure

Engine

V series Cab Tier 2 New Generation (2005-2007) - RP03 - V80

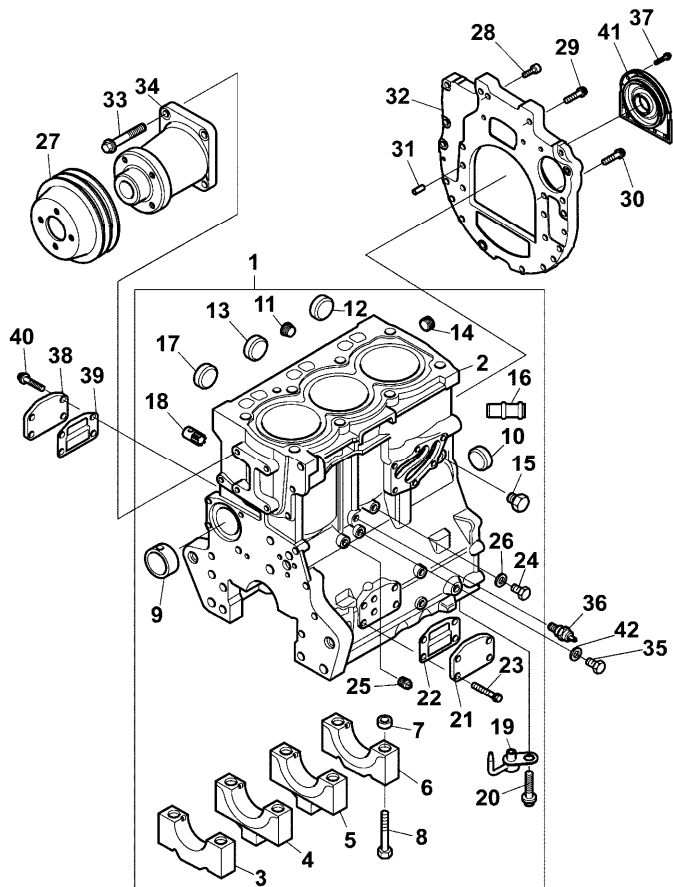
RP03\000032.717.png

A-05  
025



A05025

Cylinder block



Inglese

-	A			
1	4181V016	T-A 30:50	1 Cylinder	
2	!	1	1 Cylinder	
	➡	4181v016		
3	!	1	1 Bearing	
	➡	4181v016		
4	!	1	1 Bearing	
	➡	4181v016		
5	!	1	1 Bearing	
	➡	4181v016		
6	!	1	1 Bearing	
	➡	4181v016		
7	33142111	!	1	8 Manicott
8	32166329	!	1	8 Screw
9	3112D071	!	1	1 Bush
	●	3112D075(1)		
10	3241A012	!	1	1 Plug
11	0650588	!	1	1 Plug
12	0650710	!	1	1 Plug
13	3241A011	!	1	2 Plug
14	3212P008	!	1	1 Plug
15	32141316	!	1	1 Plug
16	3313A022	!	1	1 Pipe
17	2485A108	!	1	1 Plug
18	3212V006	!	1	1 Plug

Engine

V series Cab Tier 2 New Generation (2005-2007) - RP03 - V80

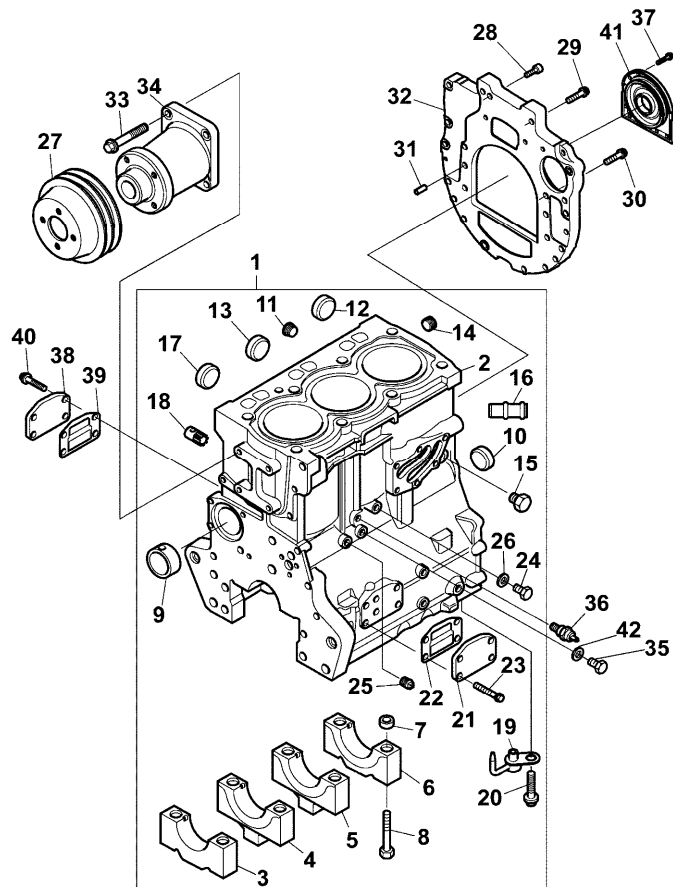
RP03\000032.717.png

A-05  
025



A05025

Cylinder block



			Inglese
19	2113A001	! 1	3 Atomiser
20	2314F001	● 1	3 Screw
21	3623A009	! 1	2 Plate
		T-A 0:50	
22	3688A039	! 1	2 Gasket
		T-A 0:50	
23	2314H033	! 1	8 Screw
24	2314C049	! 1	1 Plug
25	0650594	! 1	1 Plug
26	2415D053	! 1	1 Washer
27	3115C113	T-A 2:0	1 Pulley
28	2311D105		1 Screw
29	2314J607		1 Screw
30	2314J203		6 Screw
31	3245A011		2 Dowel
32	3714A062	T-A 6:0	1 Plate
33	2314J005		4 Screw
34	4113K005	T-A 2:0	1 Housing
35	2314C049		1 Screw
36	2848062	● 1	1 Switch
		B	
		T-A 0:25	
37	3211C002		10 Screw
38	3623A009	T-A 0:50	1 Plate

Engine

**A-05  
025**

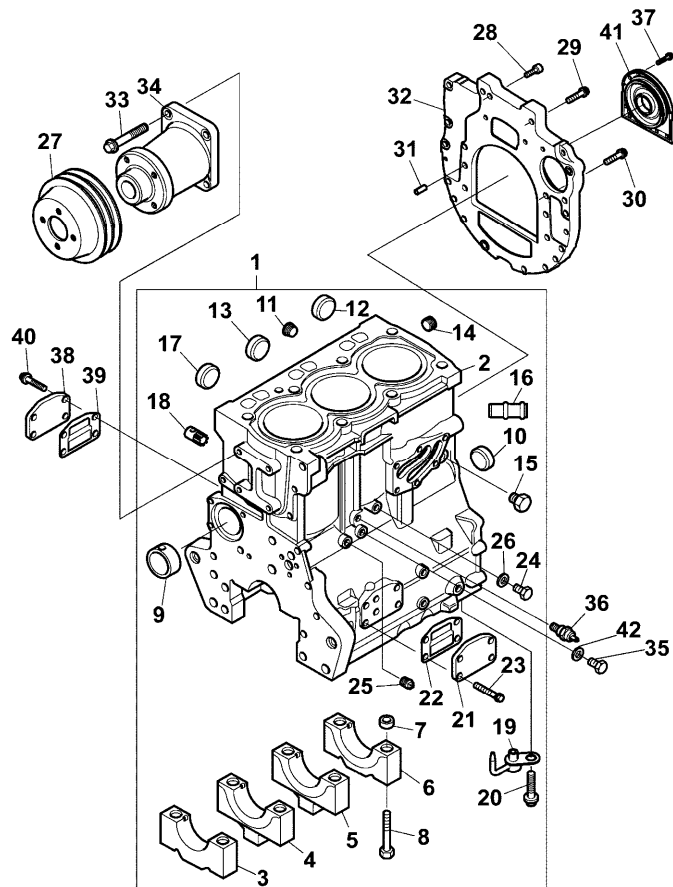
Cylinder block

V series Cab Tier 2 New Generation (2005-2007) - RP03 - V80



A05025

RP03\000032.717.png



**Inglese**

39	3688A039	T-A	0:50	1	Gasket
40	2314H033			4	Screw
41	2418F704	(X)	0.1.3.	1	Housing
		T-A	11:0		
42	2415D053			1	Washer

! This is a component of an assembly

🔧 Not serviced, order

● Replacement

(X) Qty per tractors sold (aa.bbb.ccc.ddd) (aa) for 1,(bbb) 2-10 (ccc) 11-25 (ddd) 26-50

T-A Replacement

A For market "ue"

B Oil pressure



Engine

**A-05  
03**

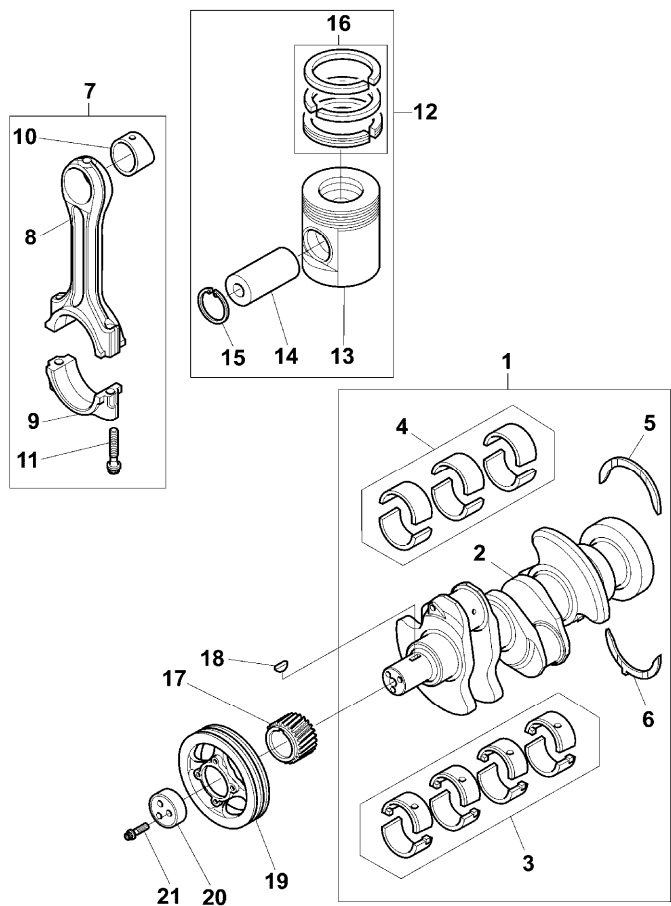
Crankshaft, pistons and connecting rods

V series Cab Tier 2 New Generation (2005-2007) - RP03 - V80



A0503

RP03\000031.739.png



Inglese

-	G		
1 4181V017	T-A 18:50	1 Shaft	
2	! 1	1 Crankshaft	
3 U5MB0019	! 1	1 Kit	
	➡ 4181v017		
	● U5MB0037(1)		
	T-A 18:50		
4 U5ME0018	! 1	1 Kit	
	● U5ME0033(1)		
	T-A 18:50		
5 31137312	⚡ (+)0.007"	2 Ring	
	T-A 18:50		
5 31137551	! 1	2 Washer	
	T-A 18:50		
6 31137322	⚡ (+)0.007"	2 Ring	
	T-A 18:50		
6 31137561	! 1	2 Washer	
	T-A 18:50		
7 4115C311	➡ U491477 t	3 Kit	
	F		
	T-A 17:0		
7 4115C312	➡ U491477 t	3 Kit	
	E		
	T-A 17:0		

Engine

V series Cab Tier 2 New Generation (2005-2007) - RP03 - V80

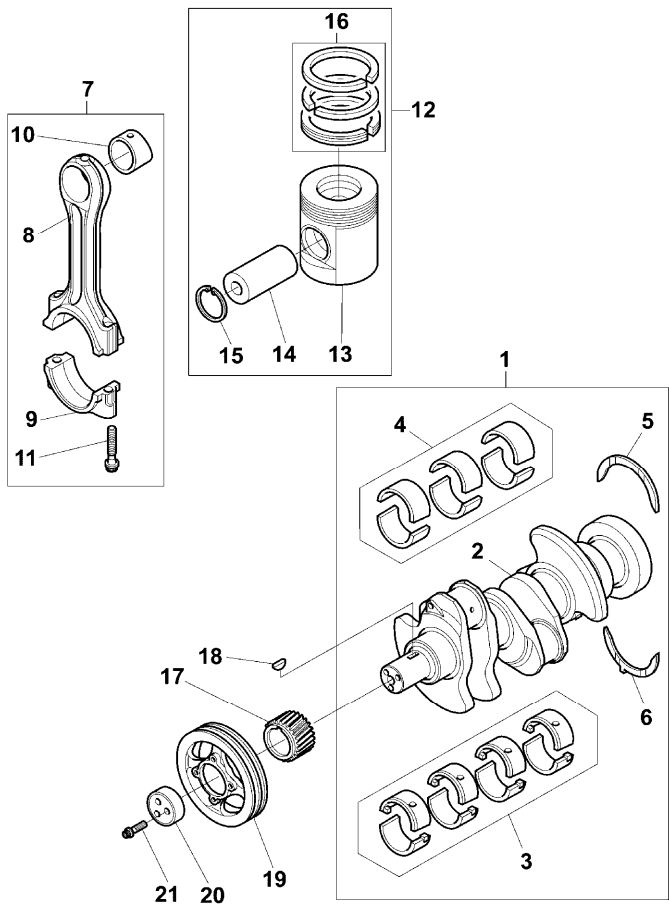
RP03\000031.739.png

A-05  
03



A0503

Crankshaft, pistons and connecting rods



		Inglese	
7	4115C313	➡ U491477 t D T-A 17:0	3 Kit
7	4115C314	➡ U491477 t C T-A 17:0	3 Kit
7	4115C315	➡ U491477 t B T-A 17:0	3 Kit
7	4115C316	➡ U491477 t A T-A 17:0	3 Kit
7	4115C361	➡ U491478 t F	3 Conrod
7	4115C362	➡ U491478 t E	3 Conrod
7	4115C363	➡ U491478 t D	3 Conrod
7	4115C364	➡ U491478 t C	3 Conrod
7	4115C365	➡ U491478 t B	3 Conrod
7	4115C366	➡ U491478 t A	3 Conrod
8	!	7	1 Conrod
	➡	Ref.n.7	

Engine

**A-05  
03**

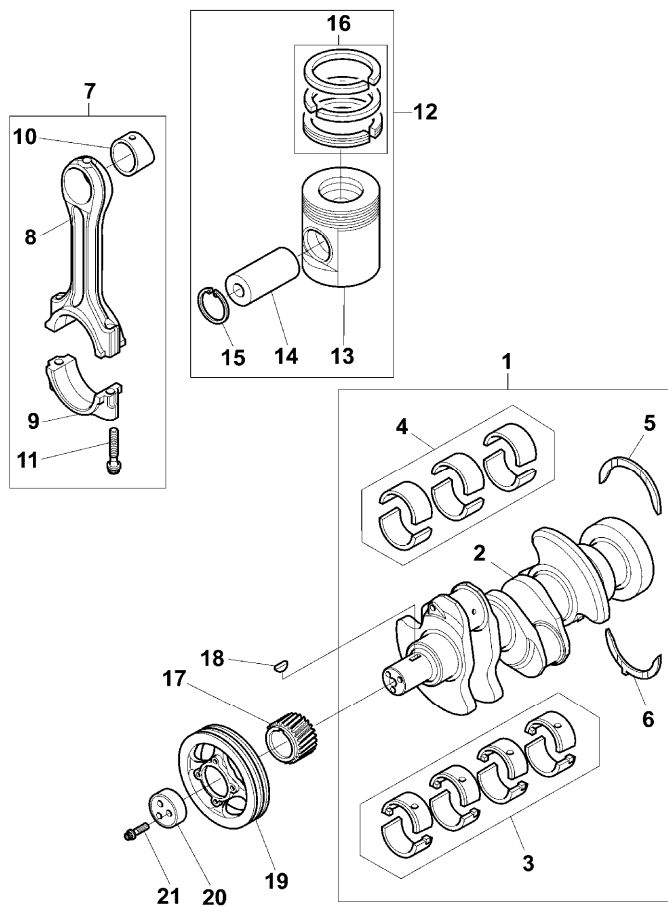
Crankshaft, pistons and connecting rods

V series Cab Tier 2 New Generation (2005-2007) - RP03 - V80



A0503

RP03\000031.739.png



Inglese

9	!	7	1 Guard
10	➡	Ref.n.7	1 Bush
11	!	7	2 Screw
12	T-A	17:0	3 Kit
13	!	12	1 Piston
14	➡	4115p015	1 Pin
15	!	12	2 Ring
16	!	12	1 Kit
17	(X)	0.1.3.	
18	T-A	17:0	1 Gear
19	T-A	13:0	1 Key
20	T-A	2:0	1 Pulley
21	T-A	2:0	1 Block
21	!	32186137	3 Screw

! This is a component of an assembly

➡ From serial or engine number

➡ Up to serial or engine number

➡ Not serviced, order

▲ Shim

● Replacement

(X) Qty per tractors sold (aa.bbb.ccc.ddd) (aa) for 1,(bbb) 2-10 (ccc) 11-25 (ddd) 26-50

T-A Replacement

Engine

A-05  
03

Crankshaft, pistons and connecting rods

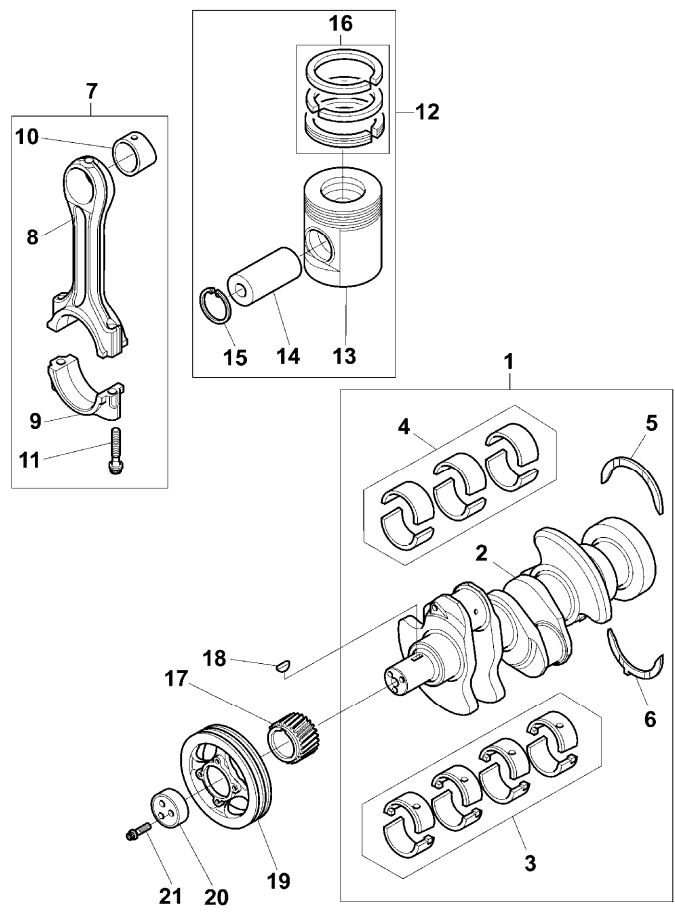
V series Cab Tier 2 New Generation (2005-2007) - RP03 - V80



A0503

RP03\000031.739.png

- A Blue
- B Purple
- C Green
- D White
- E Orange
- F Red
- G Standard version



Engine

**A-05  
035**

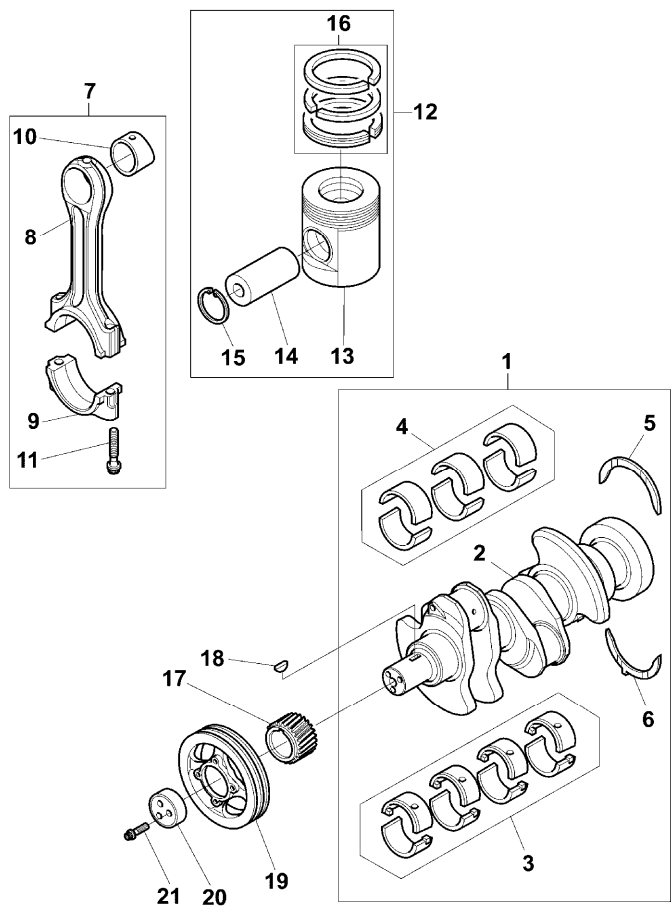
Crankshaft, pistons and connecting rods

V series Cab Tier 2 New Generation (2005-2007) - RP03 - V80



A05035

RP03\000031.739.png



Inglese

-	G		
1 4181V017	T-A 18:50	1 Shaft	
2	! 1	1 Crankshaft	
	➡ 4181v017		
3 U5MB0019	! 1	1 Kit	
	● U5MB0037(1)		
	T-A 18:50		
3 U5MB0019A	! 1	1 Kit	
	✂ (-)0.25mm		
3 U5MB0019B	! 1	1 Kit	
	✂ (-)0.50mm		
	● U5MB0037B(1)		
3 U5MB0019C	! 1	1 Kit	
	✂ (-)0.75mm		
4 U5ME0027	! 1	1 Kit	
	● U5ME0033(1)		
	T-A 18:50		
5 31137312	✂ (+)0.007"	2 Ring	
	! 1		
	T-A 18:50		
5 31137551	! 1	2 Washer	
	T-A 18:50		
6 31137322	✂ (+)0.007"	2 Ring	
	! 1		
	T-A 18:50		

Engine

V series Cab Tier 2 New Generation (2005-2007) - RP03 - V80

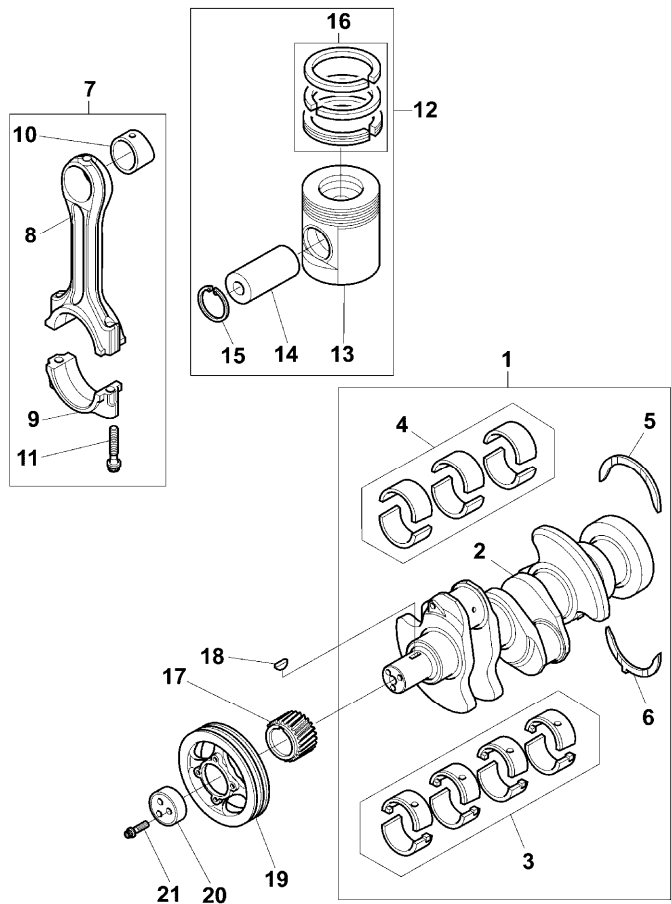
RP03\000031.739.png

**A-05  
035**



A05035

Crankshaft, pistons and connecting rods



		Inglese	
6	31137561	!	1 Washer
7	4115C311	T-A 18:50	3 Kit
7	4115C312	F	3 Kit
7	4115C313	T-A 17:0	3 Kit
7	4115C314	E	3 Kit
7	4115C315	T-A 17:0	3 Kit
7	4115C316	D	3 Kit
7	4115C361	T-A 17:0	3 Conrod
7	4115C362	F	3 Conrod
7	4115C363	E	3 Conrod
		D	

**Buy Now**



Our support email:

[ebooklibonline@outlook.com](mailto:ebooklibonline@outlook.com)