

Engine

C-L mondial Tier 2 (2007-) - RT30 - C 60 L

RT30\00010980.png

A-05
01



A0501

Engine assembly

4-0011-050-A

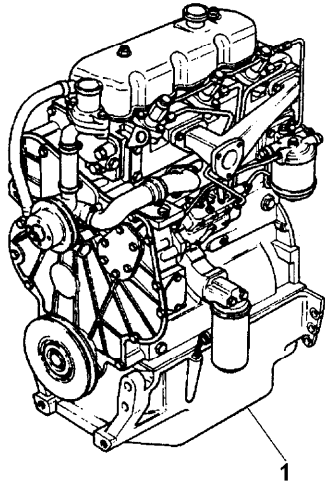
1 3670568M92

Perkins - dc81436

1 Engine

43 kw

Inglese



Engine

C-L mondial Tier 2 (2007-) - RT30 - C 60 L

RT30\00002415.png

**A-05
011**



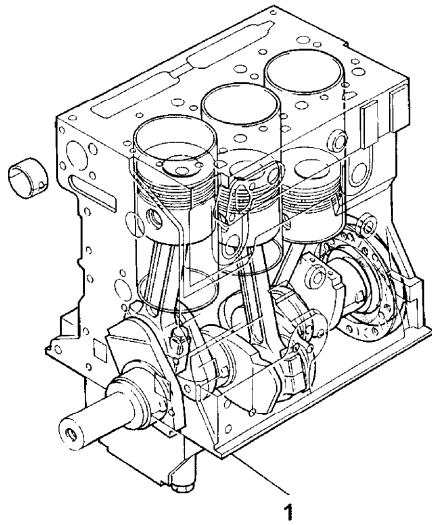
A05011

Short engine

4-ACHL-032-A

1 DC39164 T-A 25:0
T-A Replacement

Inglese
1 Engine



Engine

C-L mondial Tier 2 (2007-) - RT30 - C 60 L

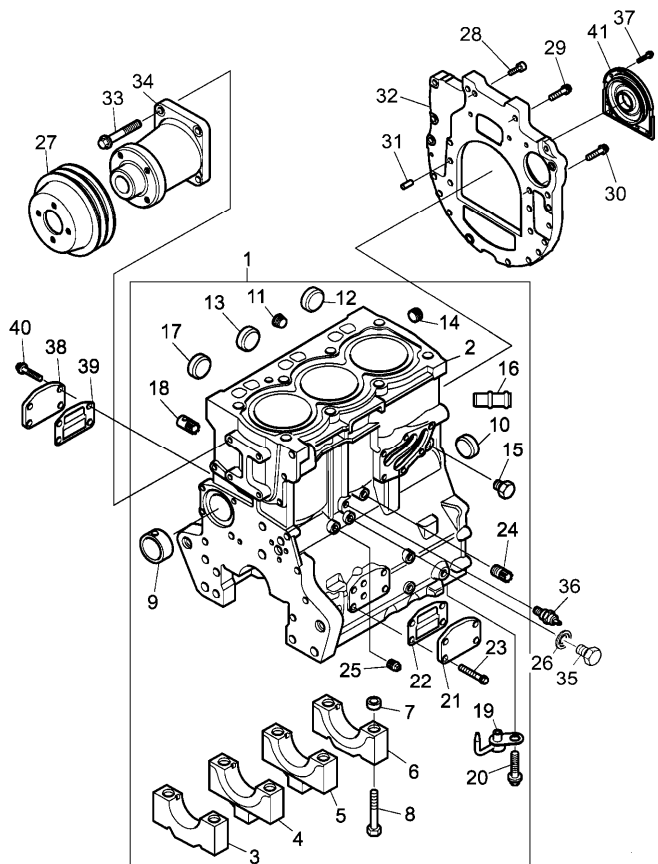
A-05
02



A0502

Cylinder block

RT30\00040004.png



				Inglese
1	4181V016	T-A	30:50	1 Cylinder
2		!	1	1 Cylinder
3		➡	Ref.n.1	1 Bearing
4		!	1	1 Bearing
5		➡	Ref.n.1	1 Bearing
6		!	1	1 Bearing
7	33142111	!	1	8 Manicott
8	32166329	!	1	8 Screw
9	3112D071	!	1	1 Bush
		●	3112D075(1)	
10	3241A012	!	1	1 Plug
11	0650588	!	1	1 Plug
12	0650710	!	1	1 Plug
13	3241A011	!	1	2 Plug
14	3212P008	!	1	1 Plug
15	32141316	!	1	1 Plug
16	3313A022	!	1	1 Pipe
17	2485A108	!	1	1 Plug
18	3212V006	!	1	1 Plug
19	2113A003	!	1	3 Atomiser

Engine

C-L mondial Tier 2 (2007-) - RT30 - C 60 L

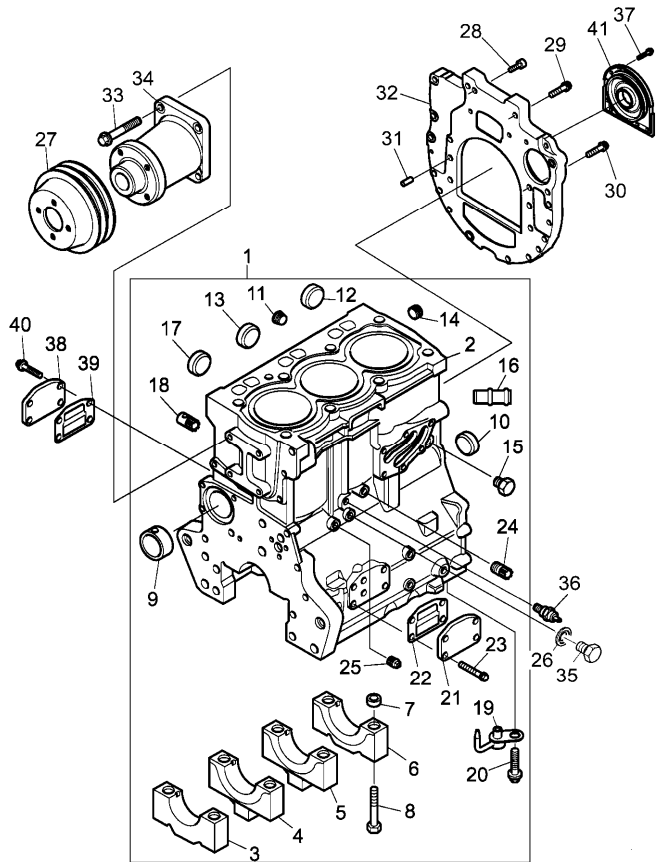
A-05
02



A0502

Cylinder block

RT30\00040004.png



				Inglese
20	2314F001	!	1	3 Screw
21	3623A009	!	1	2 Plate
		T-A	0:50	
22	3688A039	!	1	2 Gasket
		T-A	0:50	
23	2314H033	!	1	8 Screw
24	2314C049	!	1	1 Screw
25	0650594	!	1	1 Plug
26	2415D053			1 Washer
27	3115C111			1 Pulley
28	2311D105			1 Screw
29	2314J607			1 Screw
30	2314J203			6 Screw
31	3245A011			2 Dowel
32	3714A062	T-A	6:0	1 Plate
33	2314J005			4 Screw
34	4113K005	T-A	2:0	1 Housing
35	2314C049			1 Screw
36	2848062	●	4172E054(1)	1 Switch
		A		
		T-A	0:25	
37	3211C002			10 Screw
38	3623A009	T-A	0:50	1 Plate
39	3688A039	(X)	0.1.3.	1 Gasket
		T-A	0:50	

Engine

C-L mondial Tier 2 (2007-) - RT30 - C 60 L

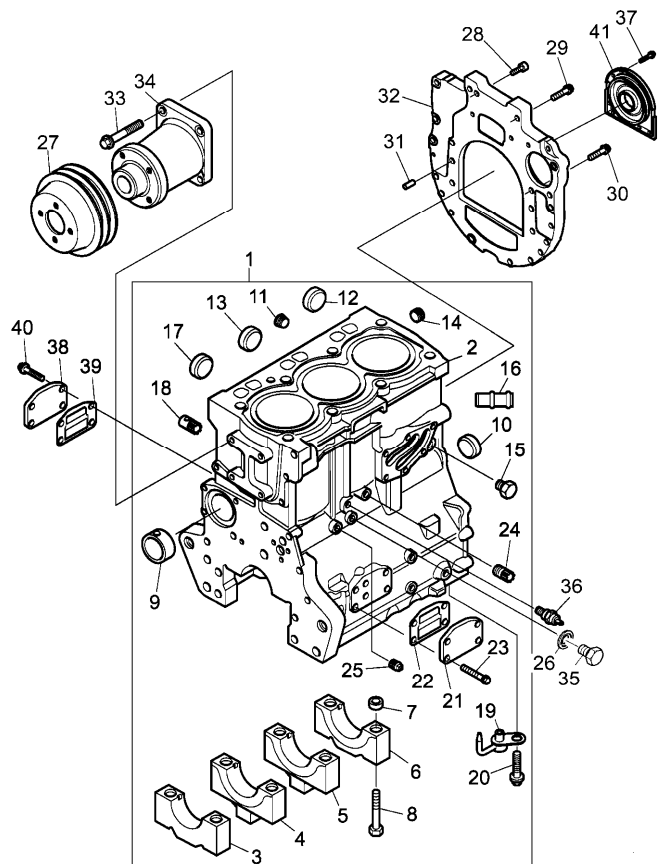
A-05
02



A0502

Cylinder block

RT30\00040004.png



Inglese

40 2314H033 4 Screw

41 2418F704 (X) 0.1.3. 1 Housing

T-A

! This is a component of an assembly

Not serviced, order

Replacement

(X) Qty per tractors sold (aa.bbb.ccc.ddd) (aa) for 1,(bbb) 2-10 (ccc) 11-25 (ddd) 26-50

T-A Replacement

A Oil pressure

Engine

C-L mondial Tier 2 (2007-) - RT30 - C 60 L

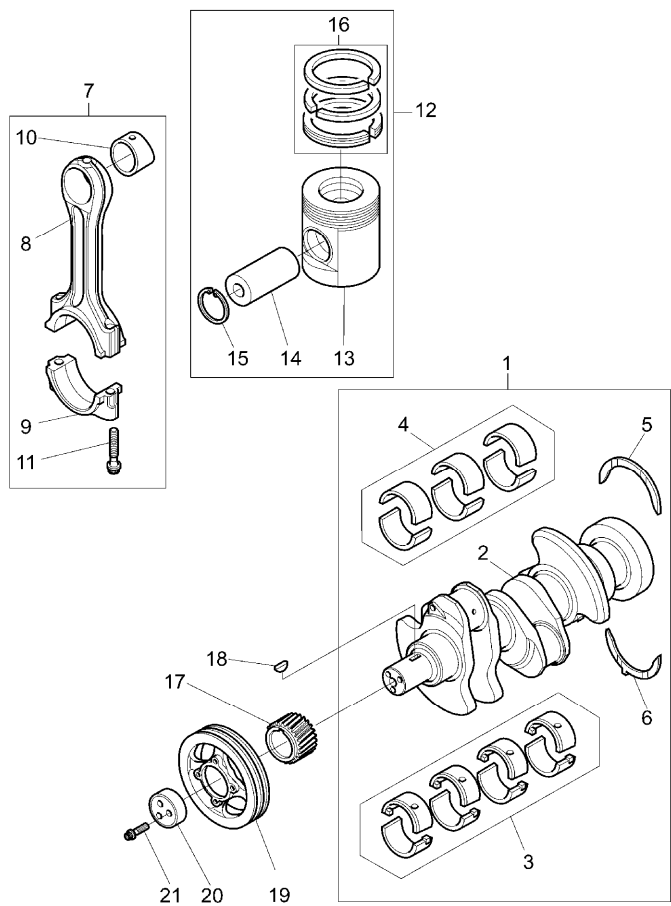
RT30\00010944.png

**A-05
03**



A0503

Crankshaft, pistons and connecting rods



				Inglese
1	4181V017	T-A 18:50		1 Shaft
2		! 1		1 Crankshaft
3	U5MB0019	! 1		1 Kit
		➡ Ref.n.1		
		● U5MB0037(1)		
		T-A 18:50		
4	U5ME0027	! 1		1 Kit
		● U5ME0033(1)		
		T-A 18:50		
5	31137312	✂ (+)0.007"		2 Ring
		! 1		
		T-A 18:50		
5	31137551	! 1		2 Washer
		T-A 18:50		
6	31137322	✂ (+)0.007"		2 Ring
		! 1		
		T-A 18:50		
6	31137561	! 1		2 Washer
		T-A 18:50		
7	4115C311	F		3 Kit
		T-A 17:0		
7	4115C312	E		3 Kit
		T-A 17:0		
7	4115C313	D		3 Kit
		T-A 17:0		

Engine

C-L mondial Tier 2 (2007-) - RT30 - C 60 L

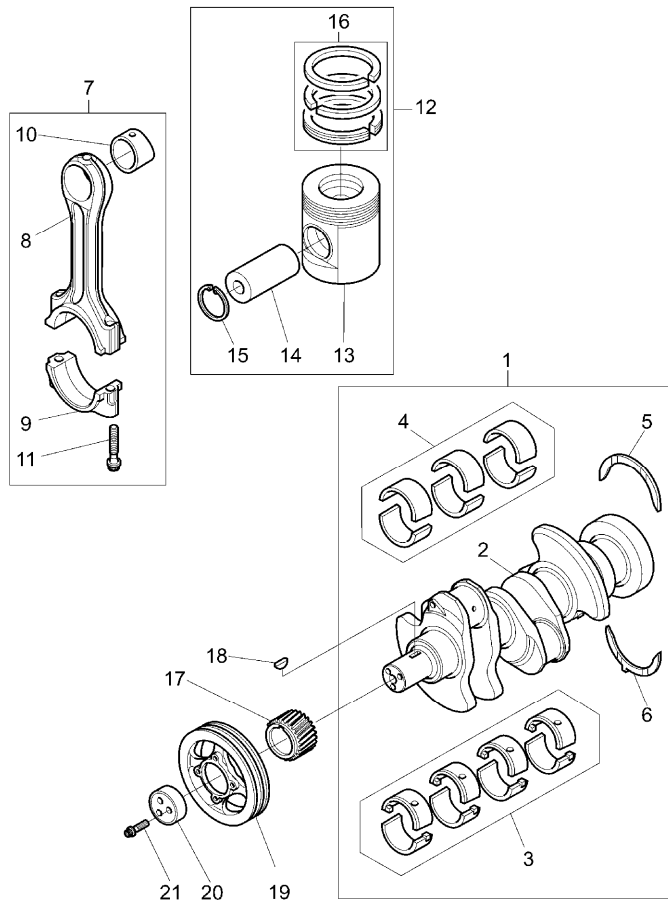
RT30\00010944.png

**A-05
03**



A0503

Crankshaft, pistons and connecting rods



			Inglese
7	4115C314	C	3 Kit
		T-A 17:0	
7	4115C315	B	3 Kit
		T-A 17:0	
7	4115C316	A	3 Kit
		T-A 17:0	
8		! 7	1 Conrod
		➤ Ref.n.7	
9		! 7	1 Guard
		➤ Ref.n.7	
10	3112A005	! 7	1 Bush
		T-A 17:0	
11	3212V003	! 7	2 Screw
12	4115P011		4 Kit
13		! 12	1 Piston
		➤ Ref.n.12	
14		! 12	1 Pin
		➤ Ref.n.12	
15	2721332	! 12	2 Ring
16	UPRK0003	! 12	1 Kit
		(X) 0.1.3.	
		T-A 17:0	
17	3117C221	T-A 13:0	1 Gear
18	0500012	T-A 13:0	1 Key
19	3115T051	T-A 2:0	1 Pulley
20	3241N001	T-A 2:0	1 Block

Engine

C-L mondial Tier 2 (2007-) - RT30 - C 60 L

A-05
03



A0503

Crankshaft, pistons and connecting rods

RT30\00010944.png

Inglese

21 32186137

3 Screw

! This is a component of an assembly

Not serviced, order

Shim

Replacement

(X) Qty per tractors sold (aa.bbb.ccc.ddd) (aa) for 1,(bbb) 2-10 (ccc) 11-25 (ddd) 26-50

T-A Replacement

A Blue

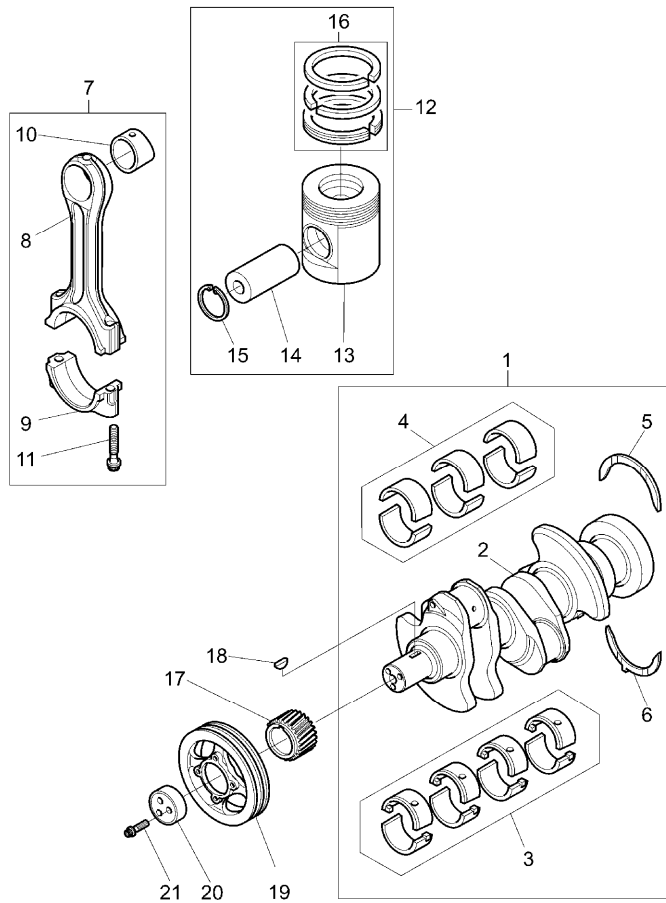
B Purple

C Green

D White

E Orange

F Red



Engine

C-L mondial Tier 2 (2007-) - RT30 - C 60 L

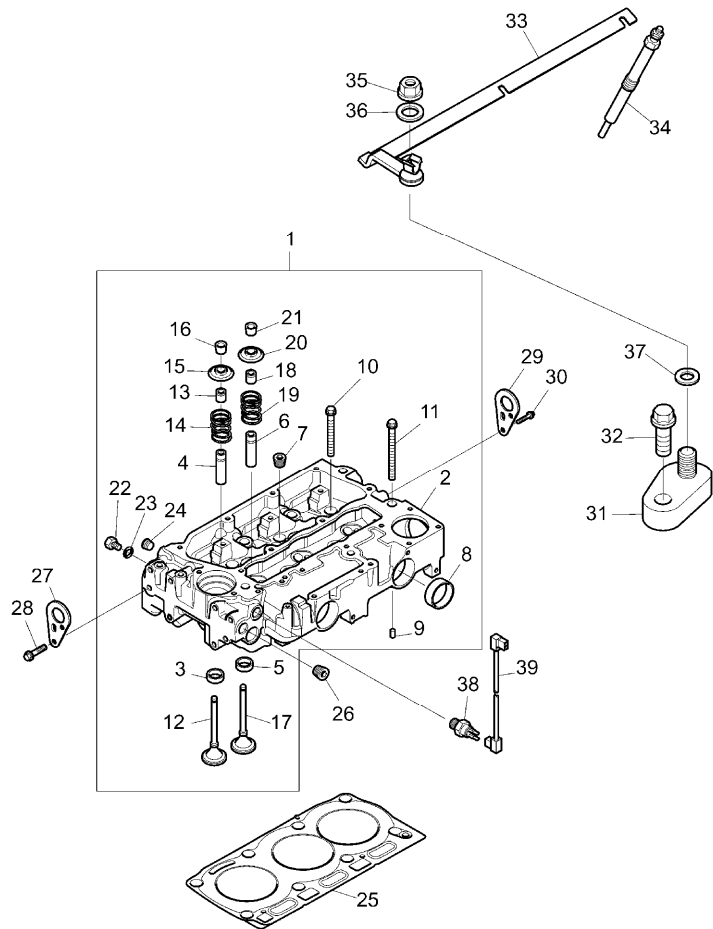
RT30\00010945.png

**A-05
04**



A0504

Cylinder head



			Inglese
1	4181V039	T-A 4:0	1 Head
		T-B 7:0	
2	!	1	1 Head
		➡ Ref.n.1	
3	3314A241	!	3 Insert
		T-A 7:50	
4	3313A012	!	3 Insert
		T-A 7:50	
5	3314A231	!	3 Insert
		T-A 7:50	
6	3313A012	!	3 Insert
		T-A 7:50	
7	0650588	!	3 Plug
		T-A 0:50	
8	32416117	!	3 Plug
		T-A 1:0	
9	3244A009	!	2 Dowel
10	3218A011	!	5 Screw
11	3218A012	!	3 Screw
12	3142H071	!	3 Valve
		T-A 7:50	
13	2418M519	!	3 Ring
		T-A 3:0	
14	3174A016	!	3 Spring
		T-A 3:0	

Engine

C-L mondial Tier 2 (2007-) - RT30 - C 60 L

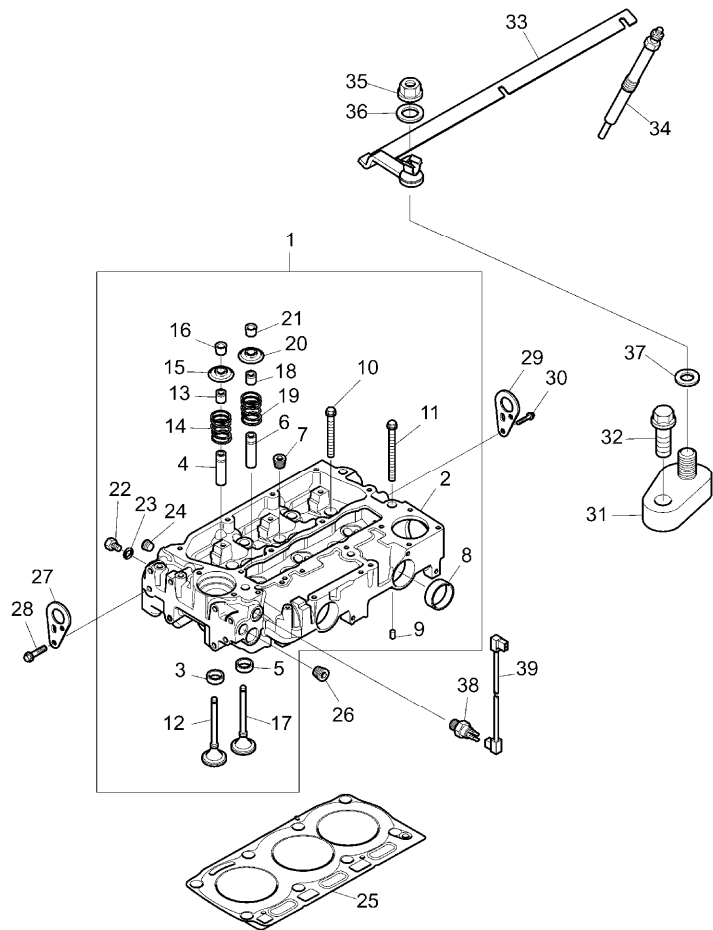
RT30\00010945.png

A-05
04



A0504

Cylinder head



			Inglese
15	3342A011	! 1	3 Cover
		T-A 3:0	
16	3142W004	! 1	6 Cotter
		T-A 3:0	
17	3142A151	! 1	3 Valve
		T-A 7:50	
18	2418M517	! 1	3 Ring
		T-A 3:0	
19	3174A016	! 1	3 Spring
		T-A 3:0	
20	3342A011	! 1	3 Cover
		T-A 3:0	
21	3142W004	! 1	6 Cotter
		T-A 3:0	
22	3278A006	! 1	1 Plug
23	2415H003	! 1	1 Ring
24	2431154	! 1	3 Plug
25	3681E049	(X) 0.1.3.	1 Gasket
		T-A 4:0	
26	2431154		1 Plug
27	3617A015		1 Stirrup
28	2314J002		2 Screw
29	3617A015	T-A 3:0	1 Stirrup
30	2314J002		2 Screw
31	3881A006		1 Insulator

Engine

C-L mondial Tier 2 (2007-) - RT30 - C 60 L

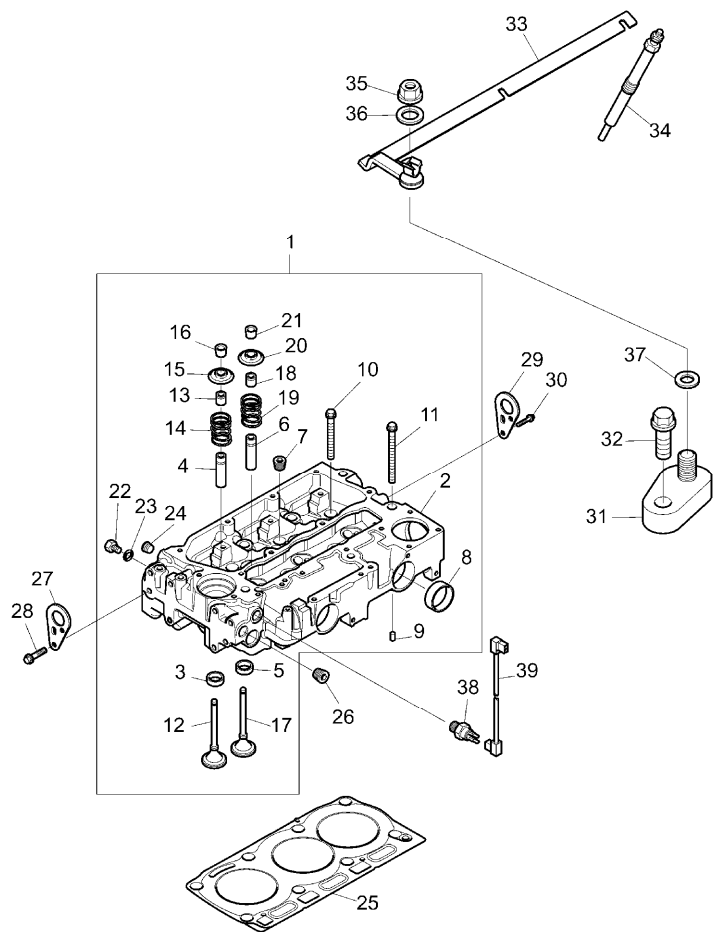
A-05
04



A0504

Cylinder head

RT30\00010945.png



Inglese

32	2314F004		1	Screw
33	3812A031	T-A 0:50	1	Bar
34	2666A016	T-A 0:75	3	Spark plug
35	2318A602		1	Nut
36	2134A609		1	Washer
37	0920002		1	Washer
38	2848A127	A	1	Sensor
		T-A 0:25		
39	3161C017	T-A 0:25	1	Cable

! This is a component of an assembly

Not serviced, order

(X) Qty per tractors sold (aa.bbb.ccc.ddd) (aa) for 1,(bbb) 2-10 (ccc) 11-25 (ddd) 26-50

T-A Replacement

T-B Overhaul

A Water temperature

Engine

C-L mondial Tier 2 (2007-) - RT30 - C 60 L

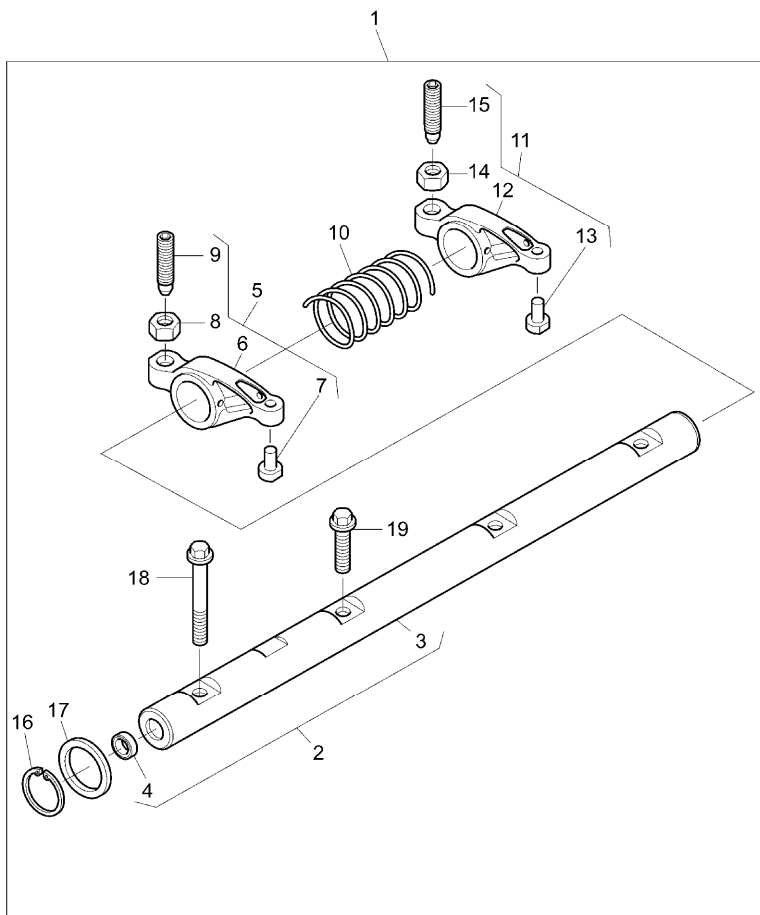
A-05
05



A0505

Rocker shaft

RT30\00010918.png



			Inglese
1	4115R611	T-A 4:0	1 Shaft
2	4115R702	! 1	1 Shaft
		T-A 4:0	
3		! 2	1 Shaft
		➡ Ref.n.2	
4	2485A104	! 2	2 Plug
		T-A 4:0	
5	4115R314	! 1	3 Rocker
		T-A 4:0	
6		! 5	1 Rocker
		➡ Ref.n.5	
7		! 5	1 Shim
		➡ Ref.n.5	
8	0576052	! 5	1 Nut
9	32114145	! 5	1 Screw
10	3174A015	! 1	2 Spring
		T-A 4:0	
11	4115R315	! 1	3 Rocker
		T-A 4:0	
12		! 11	1 Rocker
		➡ Ref.n.11	
13		! 11	1 Shim
		➡ Ref.n.11	
14	0576052	! 11	1 Nut
15	32114145	! 11	1 Screw
		T-A 1:25	

Engine

C-L mondial Tier 2 (2007-) - RT30 - C 60 L

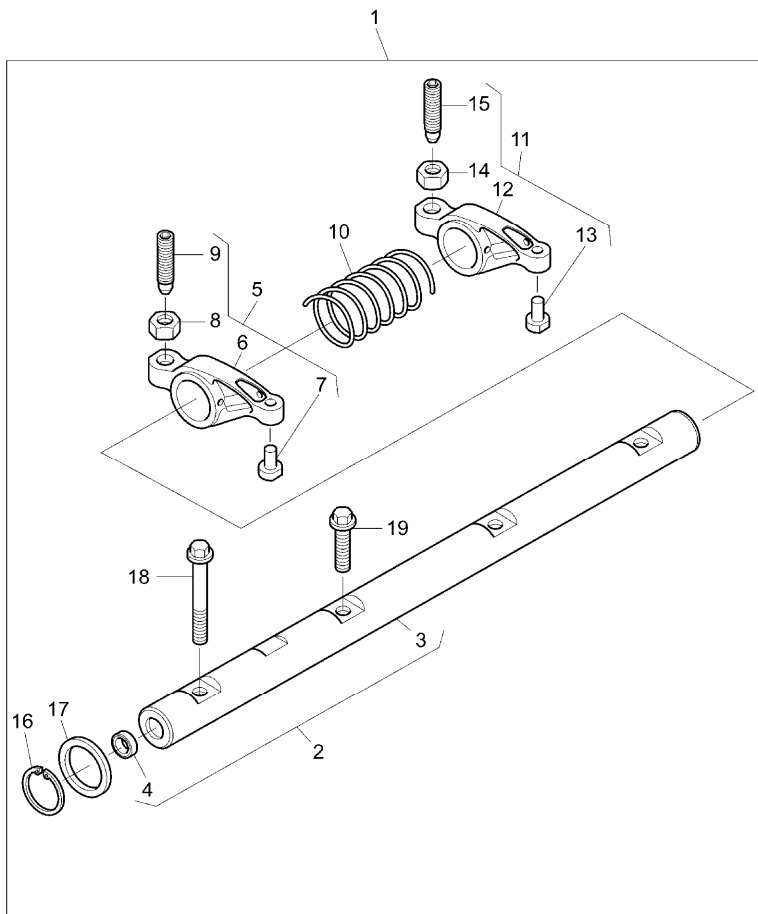
RT30\00010918.png

A-05
05



A0505

Rocker shaft



16 2722A022 ! 1

17 2134A502 ! 1

T-A 4:0

18 2316A901 ! 1

19 2316A902 ! 1

! This is a component of an assembly

Not serviced, order

T-A Replacement

Inglese

2 Ring

2 Washer

1 Screw

2 Screw

Engine

C-L mondial Tier 2 (2007-) - RT30 - C 60 L

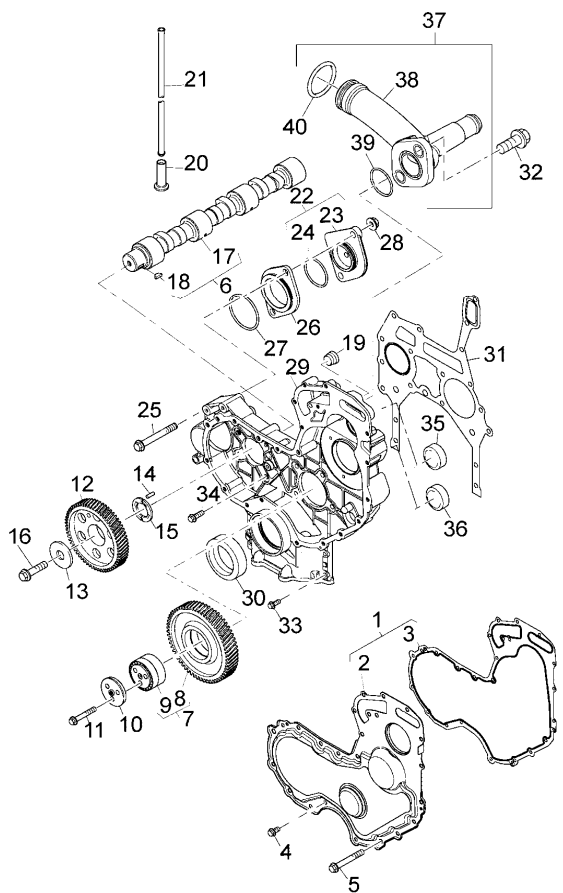
RT30\00040005.png

**A-05
06**



A0506

Timing gear and camshaft



		Inglese	
1	4142A503	T-A 4:50	1 Kit
2		! 31	1 Overlay
		➡ Ref.n.1	
3	3681P046	! 31	1 Gasket
		(X) 0.1.3.	
		T-A 4:50	
4	2314H002		9 Screw
5	2314H012		5 Screw
6	4112k047	T-A 14:0	1 Shaft
7	4111A042	● 4111A048(1)	1 Gear
		T-A 4:75	
8		! 7	1 Gear
		➡ Ref.n.7	
9		! 7	1 Hub
		➡ Ref.n.7	
10	3321A012	! 7	1 Plate
		T-A 4:75	
11	2314J012		3 Screw
12	3117L272	T-A 4:75	1 Gear
13	3321A003	T-A 4:75	1 Washer
14	2116053		1 Pin
15	3112X011	T-A 4:75	1 Washer
16	2314J606		1 Screw
17		! 6	1 Shaft
		➡ Ref.n.6	

Buy Now



Our support email:

ebooklibonline@outlook.com