

Engine

C-L mondial Tier 2 (2007-) - RT30 - C 75 L

RT30\000030.400.png

A-05
01

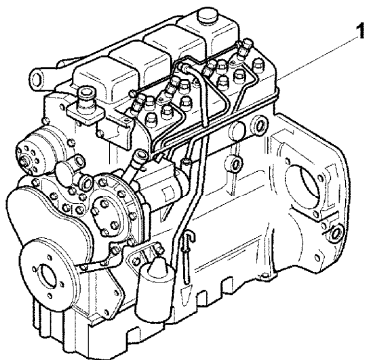


A0501

Engine assembly

1 3692788M93

Inglese
1 Engine



Engine

C-L mondial Tier 2 (2007-) - RT30 - C 75 L

RT30\000031.989.png

A-05
015



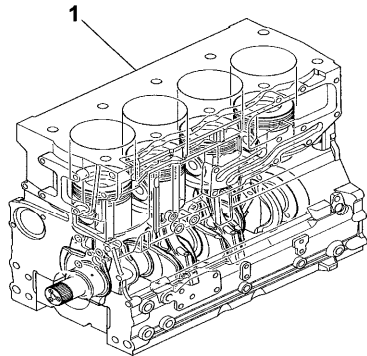
A05015

Short engine

Inglese

- | | | | | | |
|---|---------|---|----------------------------------|---|--------------|
| 1 | RE40002 | ➔ | U491476 t | 1 | Short engine |
| | | ● | 3115A141(1),
32186146(3), RE4 | | |
| 1 | RE40021 | ➔ | U491477 t | 1 | Short engine |

- ➔ From serial or engine number
- ➔ Up to serial or engine number
- Replacement



Engine

C-L mondial Tier 2 (2007-) - RT30 - C 75 L

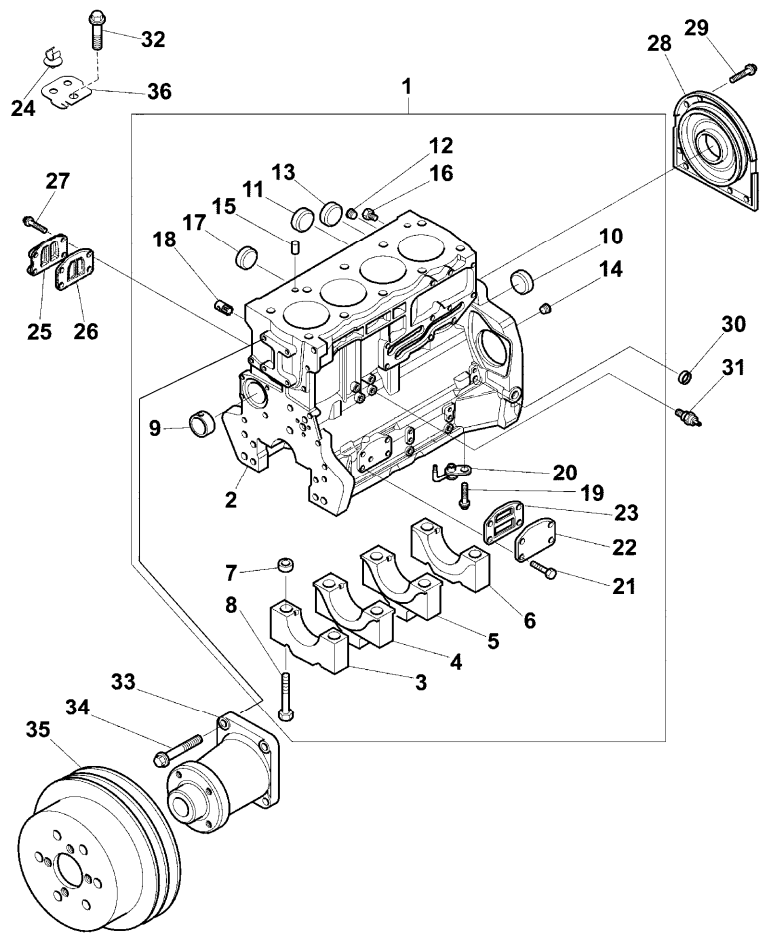
A-05
02



A0502

Cylinder block

RT30\000031.990.png



		Inglese
1	ZZ50312	1 Kit
	● ZZ50325(1)	
	T-A 30:50	
2	! 1	1 Cylinder block
	➤ Zz50312	
3	! 1	1 Bearing
	➤ Zz50312	
4	! 1	1 Bearing
	➤ Zz50312	
5	! 1	1 Bearing
	➤ Zz50312	
6	! 1	1 Bearing
	➤ Zz50312	
7	33142111	8 Manicott
8	32166329	8 Screw
9	3112D071	1 Bush
	● 3112D075(1)	
10	3241A012	1 Plug
11	3241A011	2 Plug
12	0650588	1 Plug
13	0650710	1 Plug
14	3212P008	1 Plug
15	3244A009	2 Dowel
16	32141316	2 Plug
17	2485A108	1 Plug
18	3212V006	1 Plug

Engine

C-L mondial Tier 2 (2007-) - RT30 - C 75 L

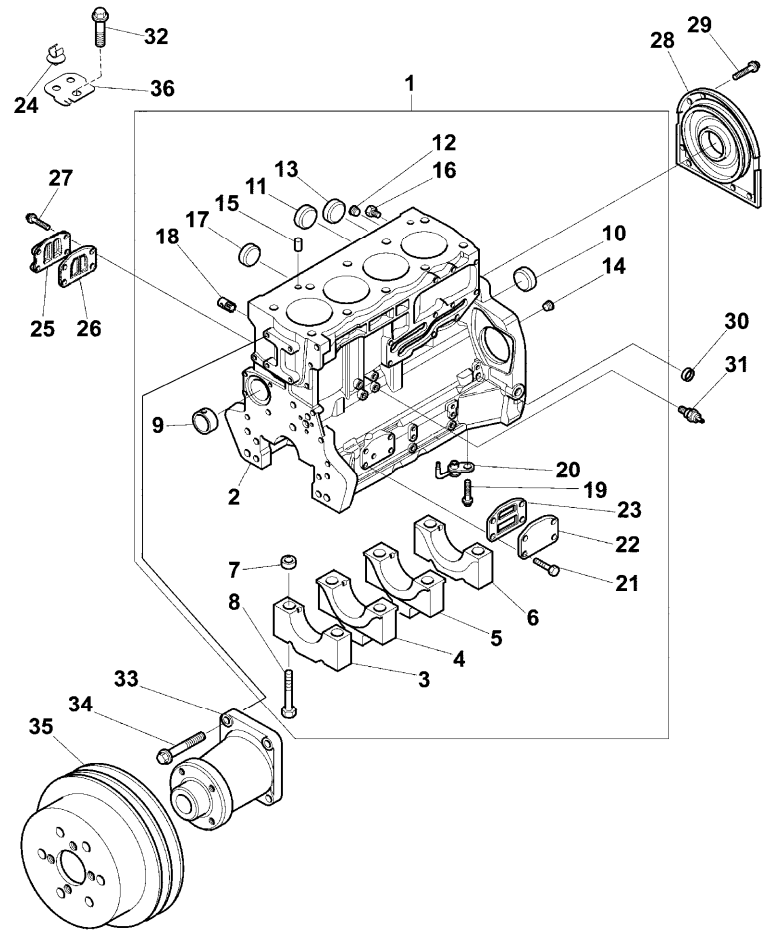
RT30\000031.990.png

A-05
02



A0502

Cylinder block



		Inglese		
19	2314F001	!	1	4 Screw
20	2113A001	!	1	4 Atomiser
		●	2113A003(4)	
21	2314H033	!	1	4 Screw
22	3623A009	!	1	1 Plate
		T-A	0:50	
23	3688A039	!	1	1 Gasket
		T-A	0:50	
24	2481D456			1 Clip
25	3753A071	T-A	0:50	1 Coperch.
26	3688A041	T-A	0:50	1 Ring
27	2314H034			4 Screw
28	2418F704	T-A	11:0	1 Housing
29	3211C002			10 Screw
30	2485A109			1 Plug
31	2848062	●	4172E054(1)	1 Switch
		T-A	0:25	
32	2314H002			1 Screw
33	4113K005	T-A	2:0	1 Housing
34	2314J005			4 Screw
35	3115C111	T-A	2:0	1 Pulley
36	3653A017			1 Stirrup
!	This is a component of an assembly			
🔧	Not serviced, order			
●	Replacement			
T-A	Replacement			

Engine

C-L mondial Tier 2 (2007-) - RT30 - C 75 L

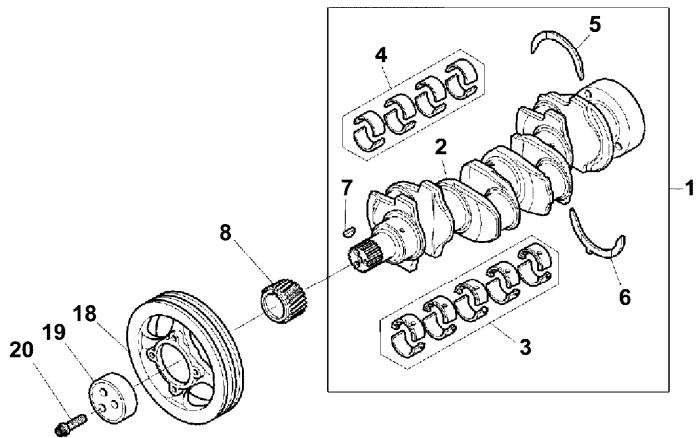
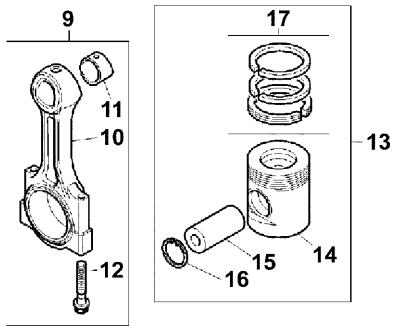
RT30\000032.095.png

A-05
03



A0503

Crankshaft, pistons and connecting rods



Inglese

- | | | | | | |
|---|-----------|-----|--------------|---|------------|
| 1 | ZZ90224 | ➔ | U491476 t | 1 | Kit |
| | | ● | ZZ90239(1) | | |
| | | T-A | 18:50 | | |
| 1 | ZZ90237 | ➔ | U491477 t | 1 | Shaft |
| 2 | | ! | 1 | 1 | Crankshaft |
| | | ➔ | Zz90224 | | |
| 3 | U5MB0018 | ! | 1 | 1 | Kit |
| | | ➔ | U491476 t | | |
| | | ● | U5MB0033(1) | | |
| | | T-A | 18:50 | | |
| 3 | U5MB0018A | ⚡ | (+)0.010" | 1 | Kit |
| | | ! | 1 | | |
| | | ➔ | U491476 t | | |
| | | ● | U5MB0033A(1) | | |
| | | T-A | 18:50 | | |
| 3 | U5MB0018B | ⚡ | (+)0.020" | 1 | Kit |
| | | ! | 1 | | |
| | | ➔ | U491476 t | | |
| | | ● | U5MB0033B(1) | | |
| 3 | U5MB0018C | ⚡ | (+)0.030" | 1 | Kit |
| | | ! | 1 | | |
| | | ➔ | U491476 t | | |
| | | ● | N.L.A.(1) | | |
| | | T-A | 18:50 | | |
| 3 | U5MB0033 | ! | 1 | 1 | Kit |
| | | ➔ | U491477 t | | |

Engine

C-L mondial Tier 2 (2007-) - RT30 - C 75 L

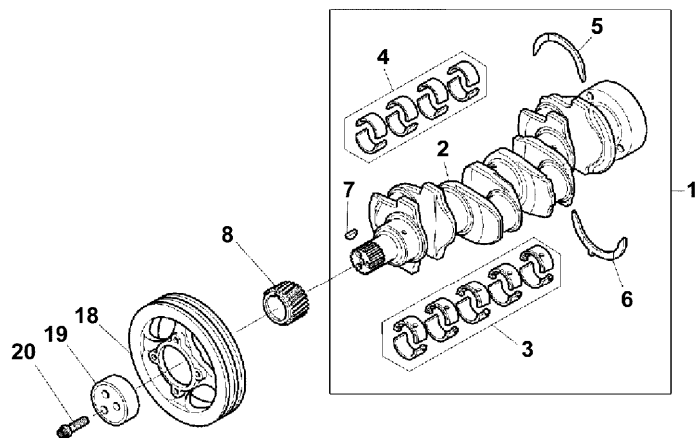
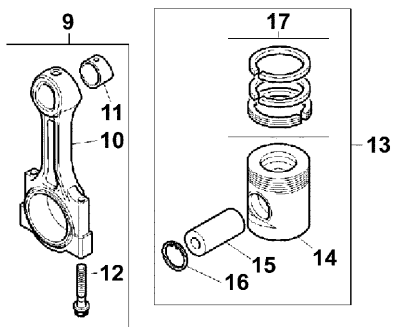
RT30\000032.095.png

A-05
03



A0503

Crankshaft, pistons and connecting rods



Inglese

3	U5MB0033A	!	1	1 Kit
		⚡	-0,25mm	
		➔	U491477 t	
3	U5MB0033B	!	1	1 Kit
		⚡	-0,50mm	
		➔	U491477 t	
3	U5MB0033C	!	1	1 Kit
		⚡	-0,75mm	
		➔	U491477 t	
		●	N.L.A.(1)	
4	T400002	!	1	1 Kit
		➔	U491477 t	
		●	T410927(1)	
4	U5ME0026	!	1	1 Kit
		➔	U491476 t	
		●	U5ME0034(1)	
		(X)		
		T-A	18:50	
4	U5ME0026A	!	1	1 Kit
		⚡	+0,25mm	
		➔	U491476 t	
		●	U5ME0034A(1)	
4	U5ME0026B	!	1	1 Kit
		⚡	+0,50mm	
		➔	U491476 t	
		●	U5ME0034B(1)	

Engine

C-L mondial Tier 2 (2007-) - RT30 - C 75 L

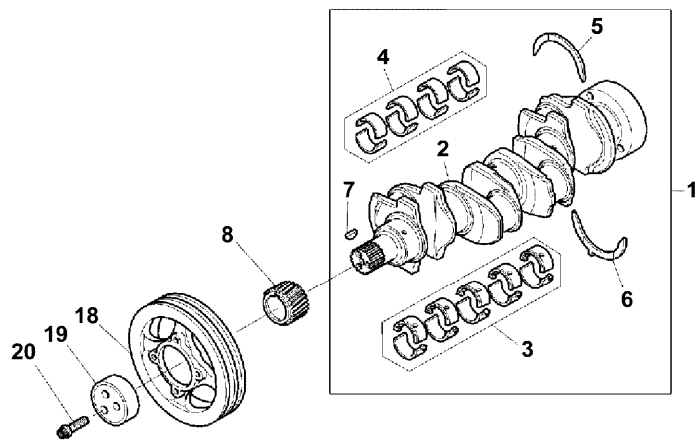
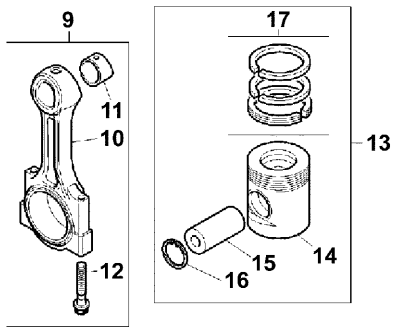
RT30\000032.095.png

**A-05
03**



A0503

Crankshaft, pistons and connecting rods



		Inglese	
4	U5ME0026C	! 1 +0,75mm U491476 t	1 Kit
5	31137312	U5ME0034C(1) (+0.007" ! 1	2 Ring
5	31137551	T-A 18:50 ! 1	2 Washer
6	31137322	T-A 18:50 (+0.007" ! 1	2 Ring
6	31137561	T-A 18:50 ! 1	2 Washer
7	0500012	! 1	1 Key
8	3117C221	T-A 13:0	1 Gear
9	4115C311	U491476 t D T-A 17:0	4 Kit
9	4115C312	U491476 t E T-A 17:0	4 Kit
9	4115C313	U491476 t F	4 Kit

Engine

C-L mondial Tier 2 (2007-) - RT30 - C 75 L

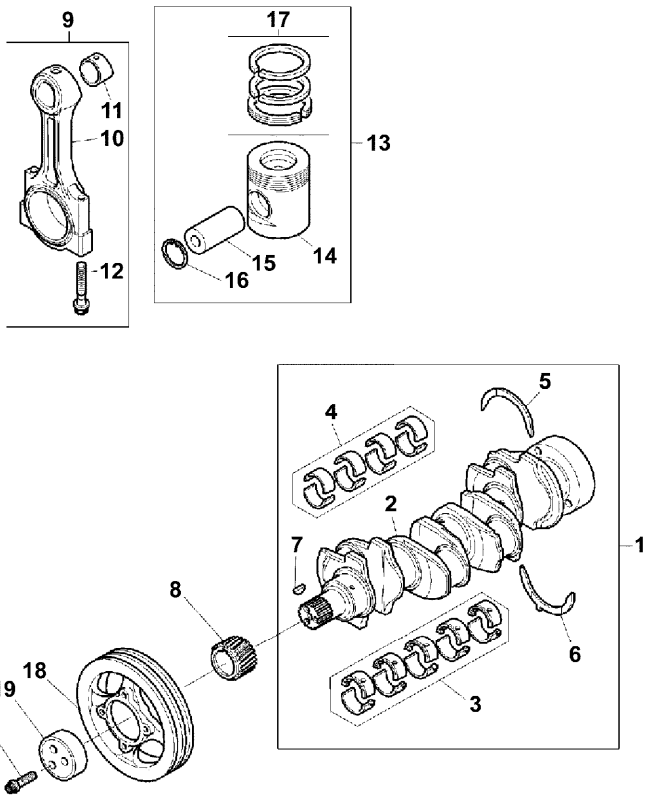
RT30\000032.095.png

**A-05
03**



A0503

Crankshaft, pistons and connecting rods



		Inglese	
9	4115C314	➡ U491476 t C T-A 17:0	4 Kit
9	4115C315	➡ U491476 t B T-A 17:0	4 Kit
9	4115C316	➡ U491476 t A T-A 17:0	4 Kit
9	4115C361	➡ U491477 t D	4 Conrod
9	4115C362	➡ U491477 t E	4 Conrod
9	4115C363	➡ U491477 t F	4 Conrod
9	4115C364	➡ U491477 t C	4 Conrod
9	4115C365	➡ U491477 t B	4 Conrod
9	4115C366	➡ U491477 t A	4 Conrod
10		! 9 ➡ Ref.n.9	1 Conrod
11	3112A005	! 9	1 Bush
12	3212V003	T-A 17:0 ! 9	2 Screw

Engine

C-L mondial Tier 2 (2007-) - RT30 - C 75 L

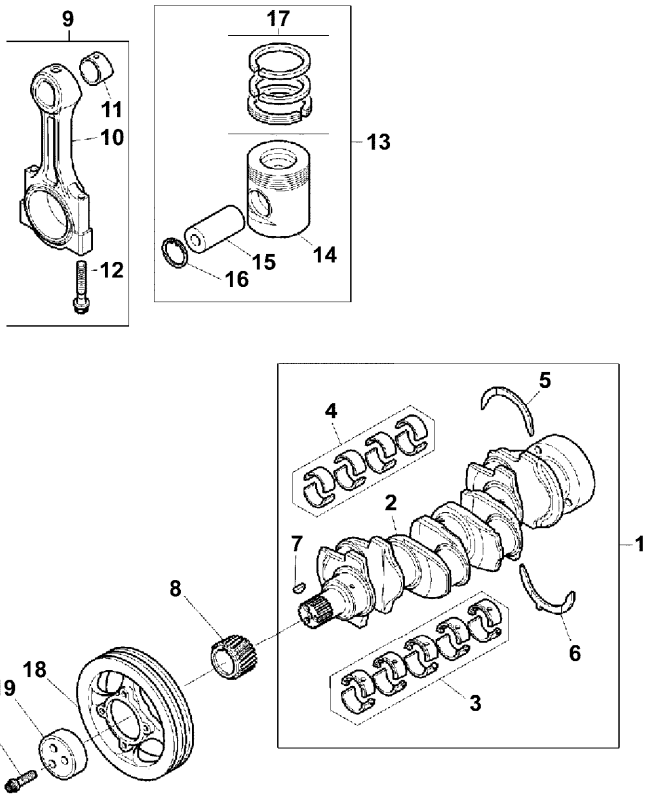
RT30\000032.095.png

A-05
03



A0503

Crankshaft, pistons and connecting rods



Inglese

13	4115P011	T-A	17:0	4	Kit
13	4115P012	⚡	(+)0.50mm	4	Kit
13	4115P013	⚡	(+)1.00mm	4	Kit
14	!	13		1	Piston
		➡	4115p011		
15	!	13		1	Pin
		➡	4115p011		
16	2721332	!	13	2	Ring
17	UPRK0003	!	13	1	Kit
		(X)	1.4.8.1		
		T-A	17:0		
18	3115A141	➡	U491477 t	1	Pulley
18	3115T051	➡	U491476 t	1	Pulley
		T-A	2:0		
19	3241N001	➡	U491476 t	1	Block
		T-A	2:0		
20	32186137	➡	U491476 t	3	Screw
20	32186146	➡	U491477 t	3	Bolt

! This is a component of an assembly

➡ From serial or engine number

➡ Up to serial or engine number

➡ Not serviced, order

⚡ Shim

● Replacement

(X) Qty per tractors sold (aa.bbb.ccc.ddd) (aa) for 1,(bbb) 2-10 (ccc) 11-25 (ddd) 26-50

T-A Replacement

A Blue

Engine

C-L mondial Tier 2 (2007-) - RT30 - C 75 L

RT30\000032.095.png

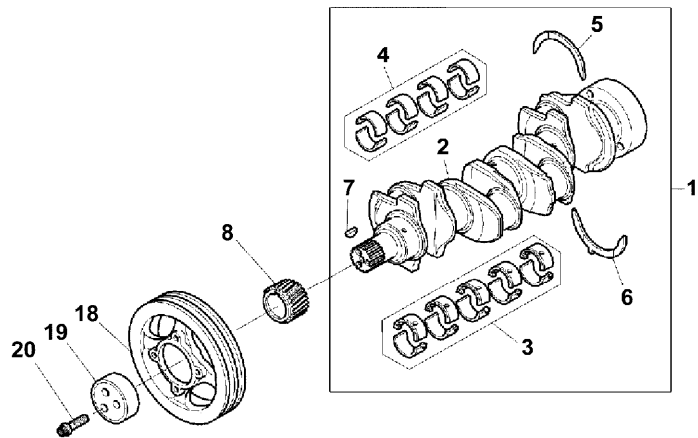
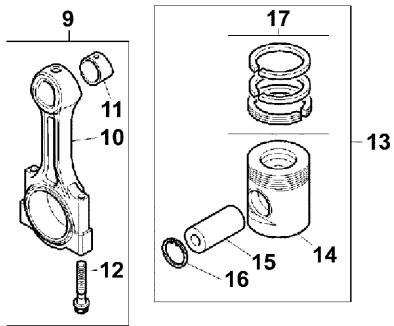
A-05
03



A0503

Crankshaft, pistons and connecting rods

- B Purple
- C Green
- D Red
- E Orange
- F White



Engine

C-L mondial Tier 2 (2007-) - RT30 - C 75 L

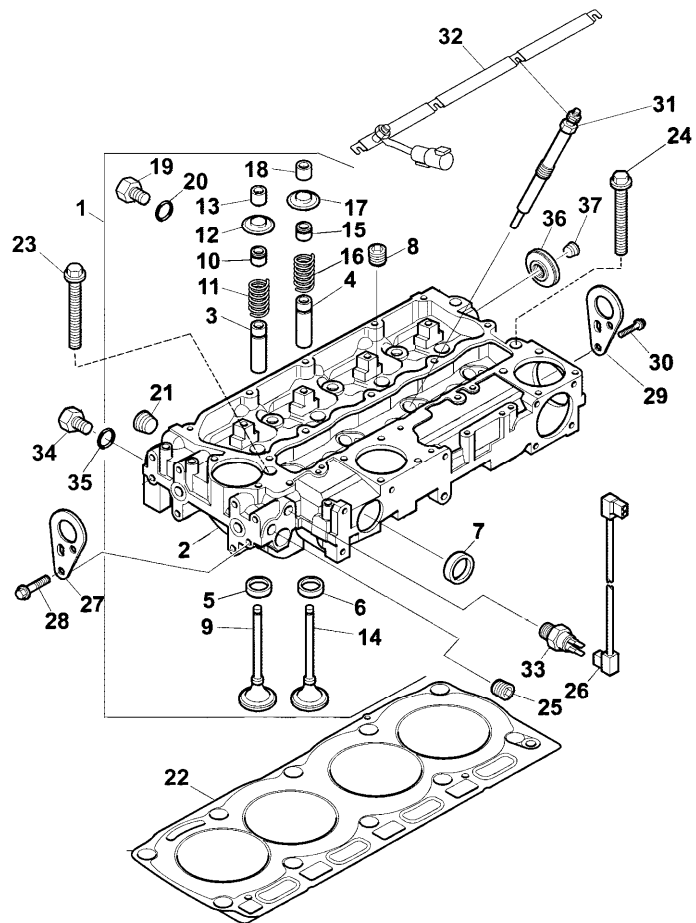
A-05
04



A0504

Cylinder head

RT30\000031.991.png



Inglese

1	ZZ80270		1	Cylinder head
2		!	1	Head
		➡	Zz80270	
3	3313E021	!	1	Guide
		●	3313A012(4)	
		T-A	7:50	
4	3313E021	!	1	Guide
		●	3313A012(4)	
		T-A	7:50	
5	3314A151	!	1	Insert
		●	3314A241(4)	
		T-A	7:50	
6	3314A161	!	1	Insert
		●	3314A231(4)	
		T-A	7:50	
7	32416117	!	1	Plug
		T-A	1:0	
8	0650588	!	1	Plug
		T-A	0:50	
9	3142H071	!	1	Valve
		T-A	7:50	
10	2418M519	!	1	Ring
		A		
11	3174A016	!	1	Spring
		T-A	3:0	

Engine

C-L mondial Tier 2 (2007-) - RT30 - C 75 L

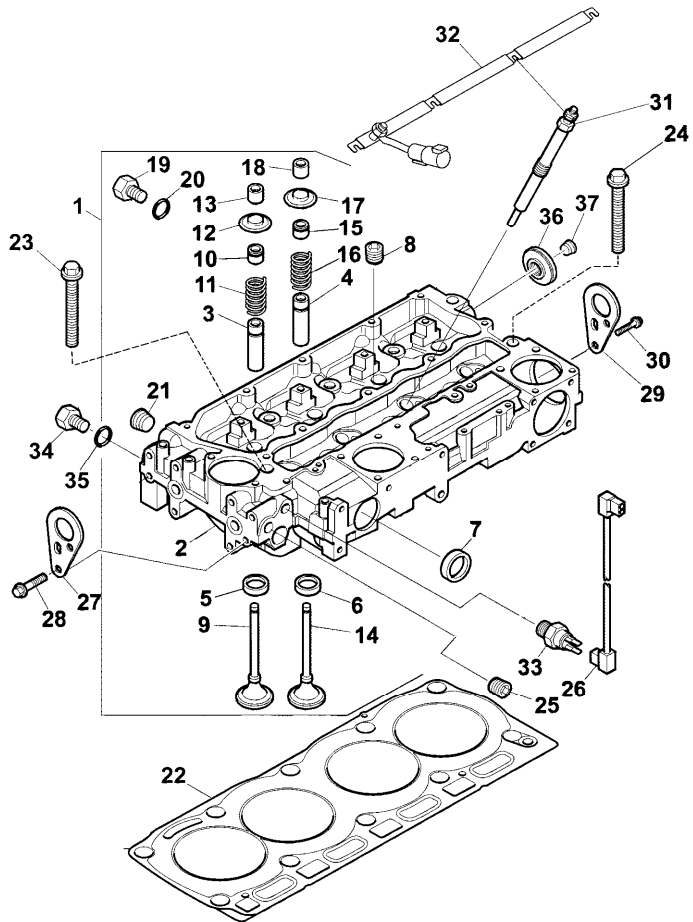
A-05
04



A0504

Cylinder head

RT30\000031.991.png



			Inglese
12	3342A011	! 1	4 Cover
		T-A 3:0	
13	3142W004	! 1	8 Cotter
		T-A 3:0	
14	3142A151	! 1	4 Valve
		T-A 7:50	
15	2418M517	! 1	4 Ring
		B	
16	3174A016	! 1	4 Spring
		T-A 3:0	
17	3342A011	! 1	4 Cover
		T-A 3:0	
18	3142W004	! 1	8 Cotter
		T-A 3:0	
19	3278A006	! 1	1 Plug
20	2415H003	! 1	1 Ring
21	2431154	! 1	1 Plug
22	3681E051		1 Gasket
23	3218A011		7 Screw
24	3218A012		3 Screw
25	2431154		1 Plug
26	3161C017		1 Cable
27	3617A015		1 Stirrup
28	2314J002		2 Screw
29	3617A015	T-A 3:0	1 Stirrup

Engine

C-L mondial Tier 2 (2007-) - RT30 - C 75 L

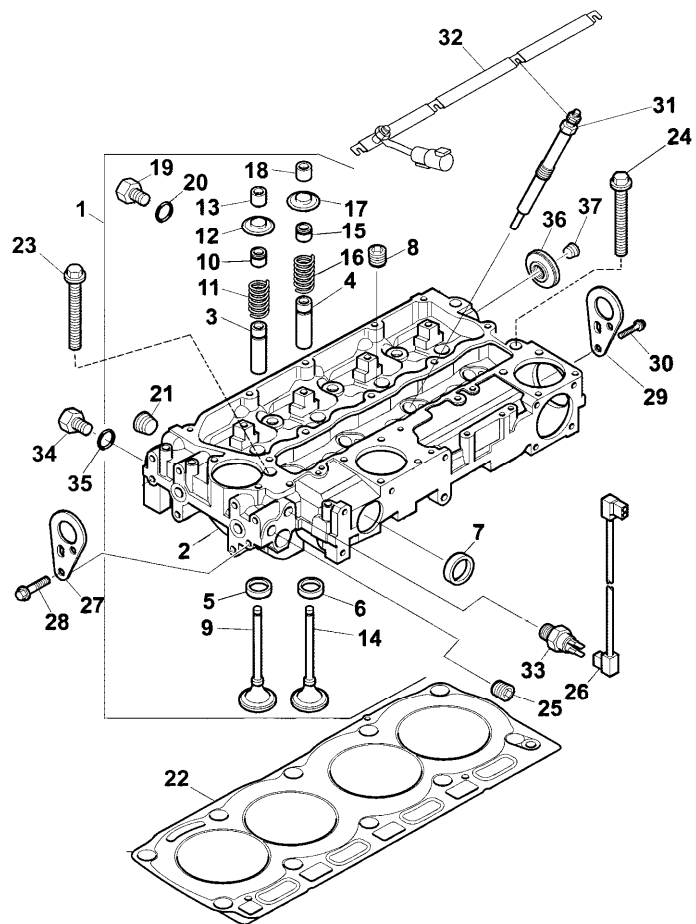
A-05
04



A0504

Cylinder head

RT30\000031.991.png



Inglese

- 30 2314J002
- 31 2666A016 T-A 0:75
- 32 3161C019 ● T409642(1)
- 33 2848A127 C
- 34 3278A006
- 35 2415H003
- 36 3342A701
- 37 2431154

- 2 Screw
- 4 Spark plug
- 1 Bar
- 1 Sensor
- 1 Plug
- 1 Ring
- 1 Connection
- 1 Plug

- ! This is a component of an assembly
- ▣ Not serviced, order
- Replacement
- T-A Replacement
- A Green
- B Brown
- C Engine water temperature

Engine

C-L mondial Tier 2 (2007-) - RT30 - C 75 L

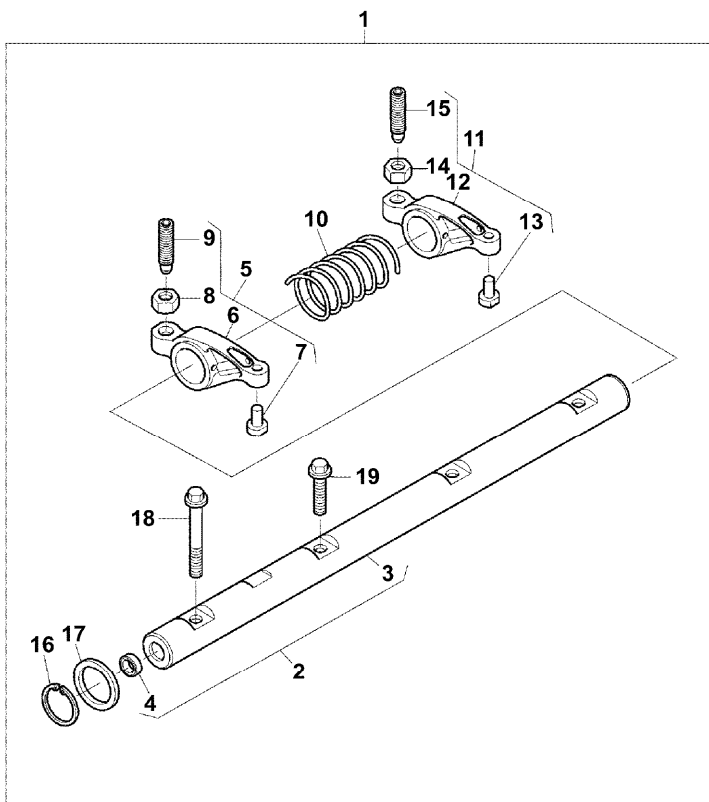
A-05
05



A0505

Rocker shaft

RT30\000030.403.png



		Inglese	
1	4115R612	T-A 4:0	1 Shaft
2	4115R703	! 1	1 Shaft
		T-A 4:0	
3		! 2	1 Shaft
		➡ 4115r703	
4	2485A104	! 2	2 Plug
		T-A 4:0	
5	4115R314	! 1	4 Rocker
		T-A 4:0	
6		! 5	1 Rocker
		➡ 4115r314	
7		! 5	1 Shim
		➡ 4115r314	
8	0576052	! 5	1 Nut
9	32114145	! 5	1 Screw
10	3174A015	! 1	3 Spring
		T-A 4:0	
11	4115R315	! 1	4 Rocker
		T-A 4:0	
12		! 11	1 Rocker
		➡ 4115r315	
13		! 11	1 Shim
		➡ 4115r315	
14	0576052	! 11	1 Nut
15	32114145	! 11	1 Screw
		T-A 1:25	

Buy Now



Our support email:

ebooklibonline@outlook.com