

Engine

C-L mondial Tier 2 (2007-) - RT30 - C 80 L

RT30\00005170.png

A-05
01



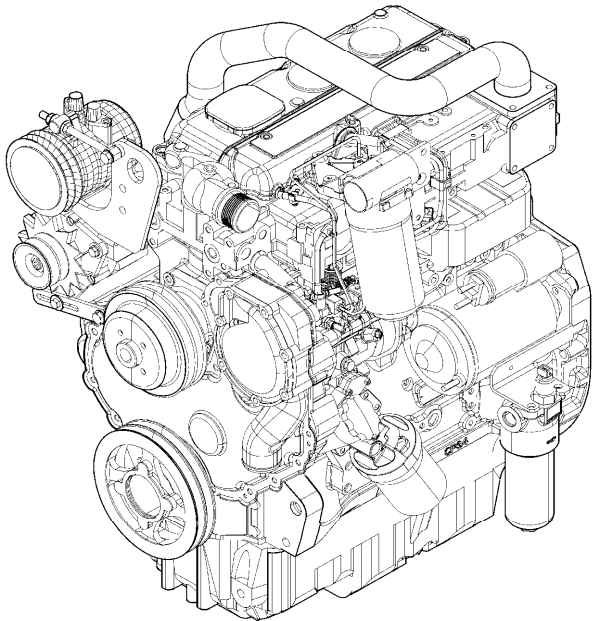
A0501

Engine assembly

1 3670564M93

Inglese
1 Engine

1



Engine

C-L mondial Tier 2 (2007-) - RT30 - C 80 L

RT30\000031.737.png

**A-05
015**



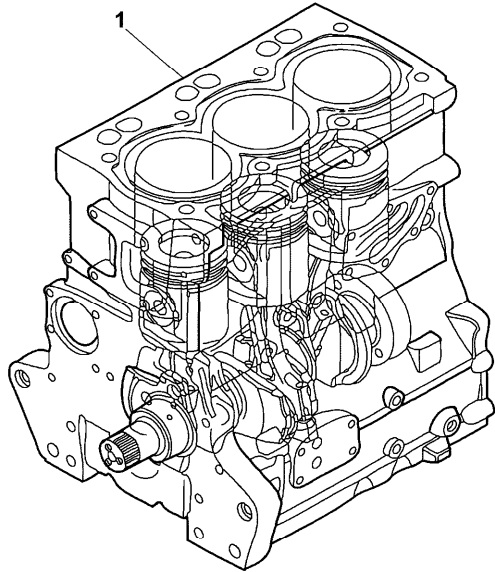
A05015

Short engine

Inglese

1 DD39165 T-A 25:0
T-A Replacement

1 Engine



Engine

C-L mondial Tier 2 (2007-) - RT30 - C 80 L

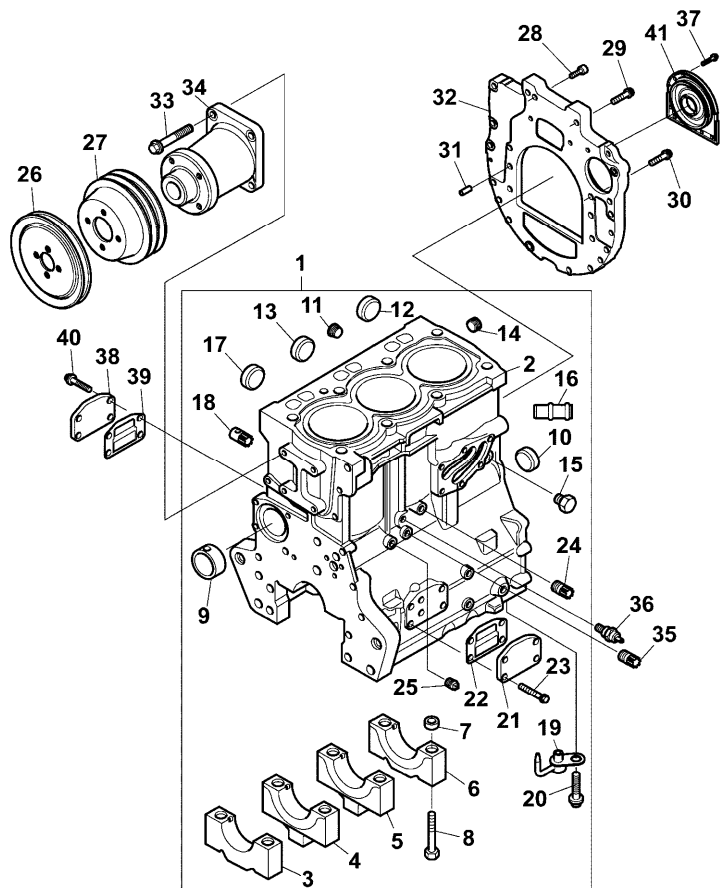
A-05
02



A0502

Cylinder block

RT30\000031.738.png



				Inglese
1	4181V016	T-A	30:50	1 Cylinder
2	!		1	1 Cylinder
3	➡		4181v016	1 Bearing
4	!		1	1 Bearing
5	➡		4181v016	1 Bearing
6	!		1	1 Bearing
7	➡		4181v016	1 Bearing
7	33142111	!	1	8 Manicott
8	32166329	!	1	8 Screw
9	3112D071	!	1	1 Bush
		●	3112D075(1)	
10	3241A012	!	1	1 Plug
11	0650588	!	1	1 Plug
12	0650710	!	1	1 Plug
13	3241A011	!	1	2 Plug
14	3212P008	!	1	1 Plug
15	32141316	!	1	1 Plug
16	3313A022	!	1	1 Pipe
17	2485A108	!	1	1 Plug
18	3212V006	!	1	1 Plug

Engine

C-L mondial Tier 2 (2007-) - RT30 - C 80 L

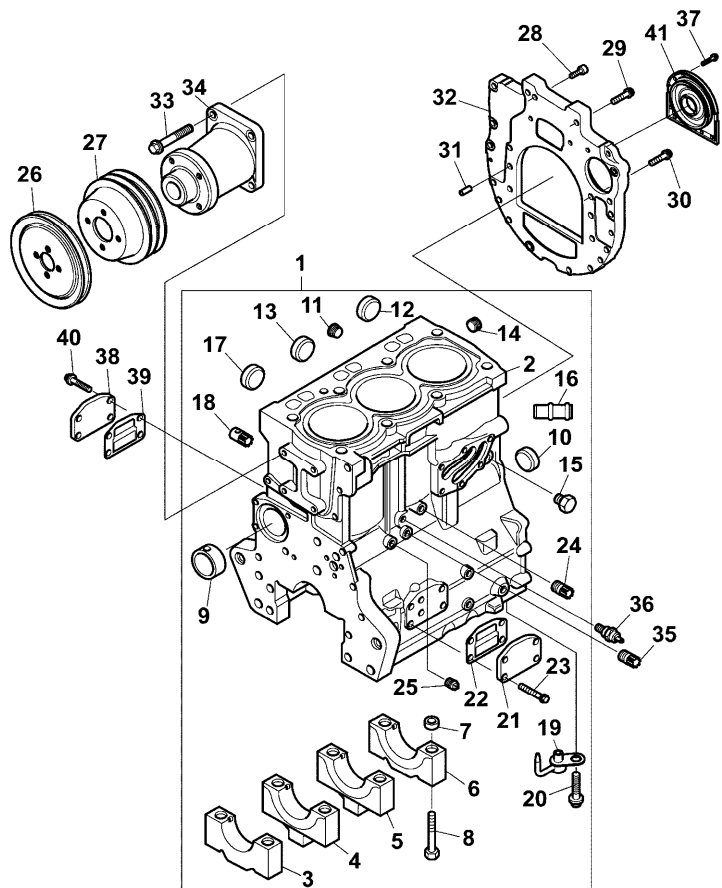
A-05
02



A0502

Cylinder block

RT30\000031.738.png



			Inglese
19	2113A001	! 1	3 Atomiser
20	2314F001	● 2113A003(3)	3 Screw
21	3623A009	! 1	2 Plate
		T-A 0:50	
22	3688A039	! 1	2 Gasket
		T-A 0:50	
23	2314H033	! 1	8 Screw
24	3212V005	! 1	1 Plug
25	0650594	! 1	1 Plug
26	3114X191	T-A 2:0	1 Pulley
27	3115C113	T-A 2:0	1 Pulley
28	2311D105		1 Screw
29	2314J607		1 Screw
30	2314J203		6 Screw
31	0350025	● 3245A011(2)	2 Dowel
32	3714A062	T-A 6:0	1 Plate
33	2314J005		4 Screw
34	4113K005	T-A 2:0	1 Housing
35	3212V005		1 Plug
36	2848062	● 4172E054(1)	1 Switch
		T-A 0:25	
37	3211C002		10 Screw
38	3623A009	T-A 0:50	1 Plate
39	3688A039	T-A 0:50	1 Gasket

Engine

C-L mondial Tier 2 (2007-) - RT30 - C 80 L

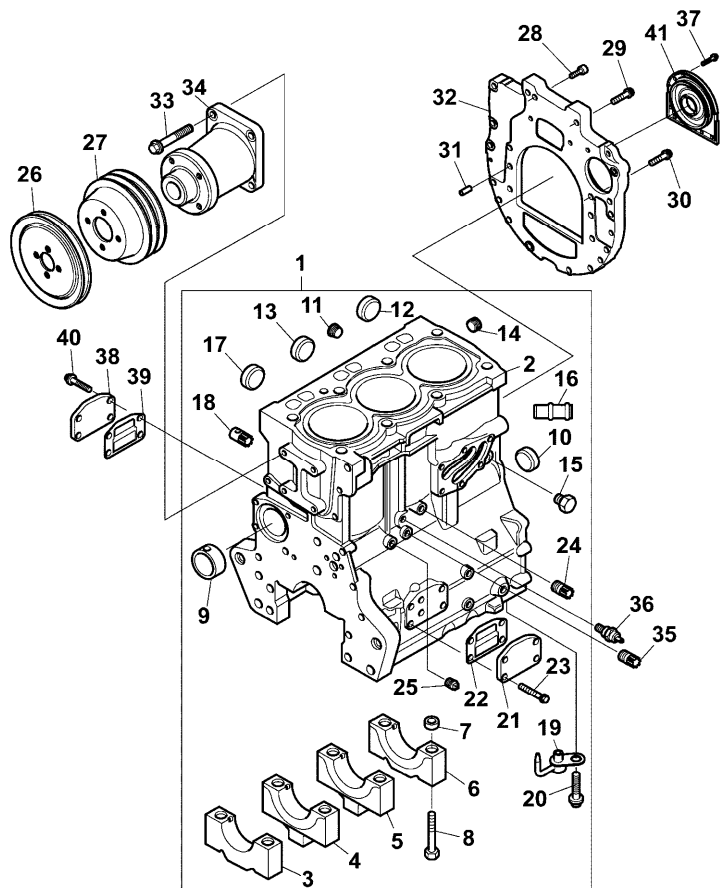
A-05
02



A0502

Cylinder block

RT30\000031.738.png



Inglese

- 40 2314H033 4 Screw
- 41 2418F704 (X) 0.1.3. 1 Housing
- T-A 11:0

- ! This is a component of an assembly
- 🔧 Not serviced, order
- Replacement
- (X) Qty per tractors sold (aa.bbb.ccc.ddd) (aa) for 1,(bbb) 2-10 (ccc) 11-25 (ddd) 26-50
- T-A Replacement

Engine

C-L mondial Tier 2 (2007-) - RT30 - C 80 L

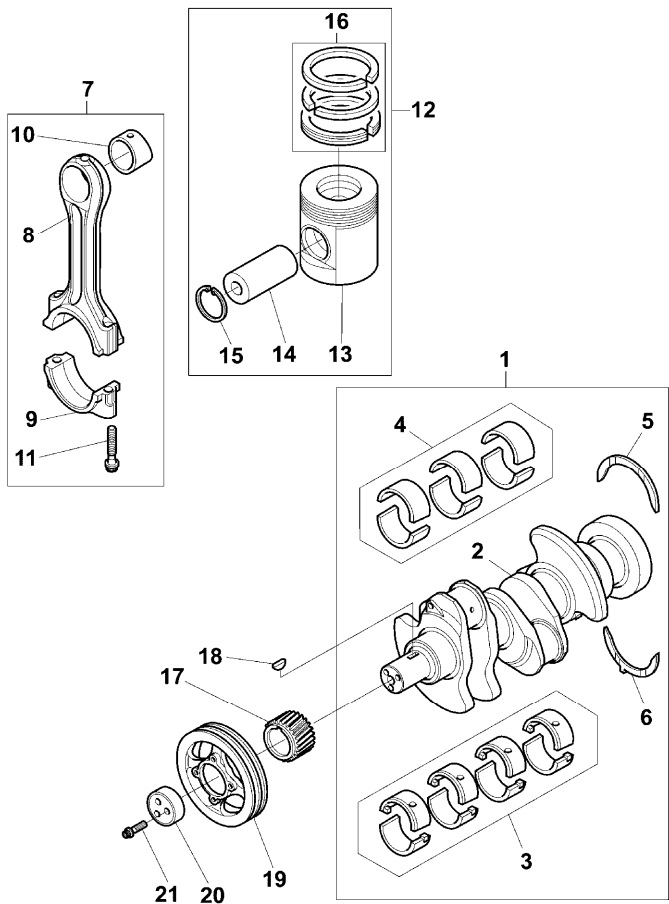
**A-05
03**



A0503

Crankshaft, pistons and connecting rods

RT30\000031.739.png



		Inglese	
1	4181V017	T-A 18:50	1 Shaft
2		! 1	1 Crankshaft
		➡ 4181v017	
3	U5MB0019	! 1	1 Kit
		● U5MB0037(1)	
		T-A 18:50	
4	U5ME0018	! 1	1 Kit
		● U5ME0033(1)	
		T-A 18:50	
5	31137312	✂ (+)0.007"	2 Ring
		T-A 18:50	
5	31137551	! 1	2 Washer
		T-A 18:50	
6	31137322	✂ (+)0.007"	2 Ring
		T-A 18:50	
6	31137561	! 1	2 Washer
		T-A 18:50	
7	4115C311	➡ U491477 t	3 Kit
		F	
		T-A 17:0	
7	4115C312	➡ U491477 t	3 Kit
		E	
		T-A 17:0	
7	4115C313	➡ U491477 t	3 Kit
		D	
		T-A 17:0	

Engine

C-L mondial Tier 2 (2007-) - RT30 - C 80 L

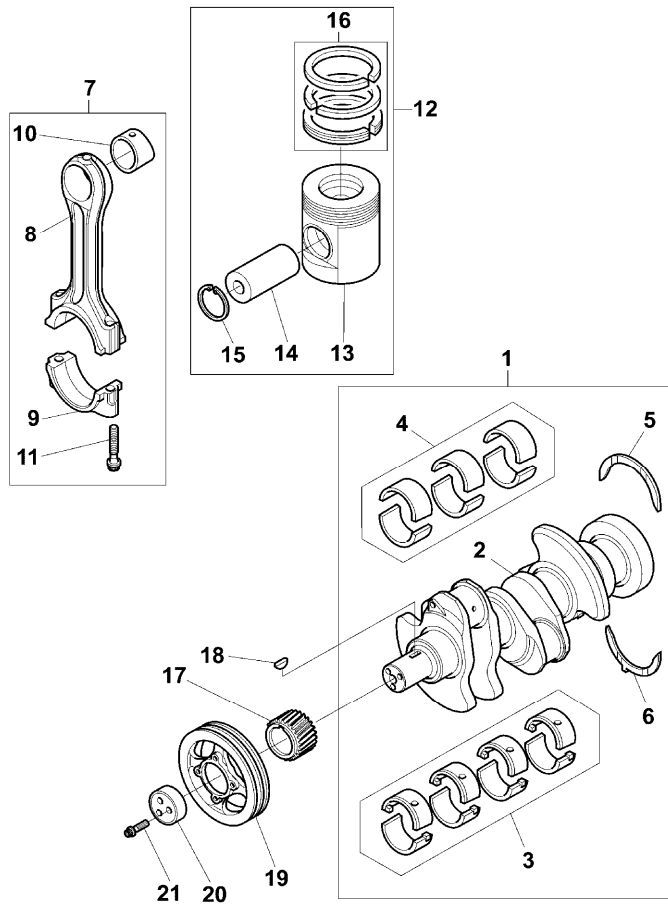
**A-05
03**



A0503

Crankshaft, pistons and connecting rods

RT30\000031.739.png



Inglese

7	4115C314	➡	U491477 t	3	Kit
			C		
			T-A 17:0		
7	4115C315	➡	U491477 t	3	Kit
			B		
			T-A 17:0		
7	4115C316	➡	U491477 t	3	Kit
			A		
			T-A 17:0		
7	4115C361	➡	U491478 t	3	Conrod
			F		
7	4115C362	➡	U491478 t	3	Conrod
			E		
7	4115C363	➡	U491478 t	3	Conrod
			D		
7	4115C364	➡	U491478 t	3	Conrod
			C		
7	4115C365	➡	U491478 t	3	Conrod
			B		
7	4115C366	➡	U491478 t	3	Conrod
			A		
8	!	7		1	Conrod
			➡	Ref.n.7	
9	!	7		1	Guard
			➡	Ref.n.7	

Engine

C-L mondial Tier 2 (2007-) - RT30 - C 80 L

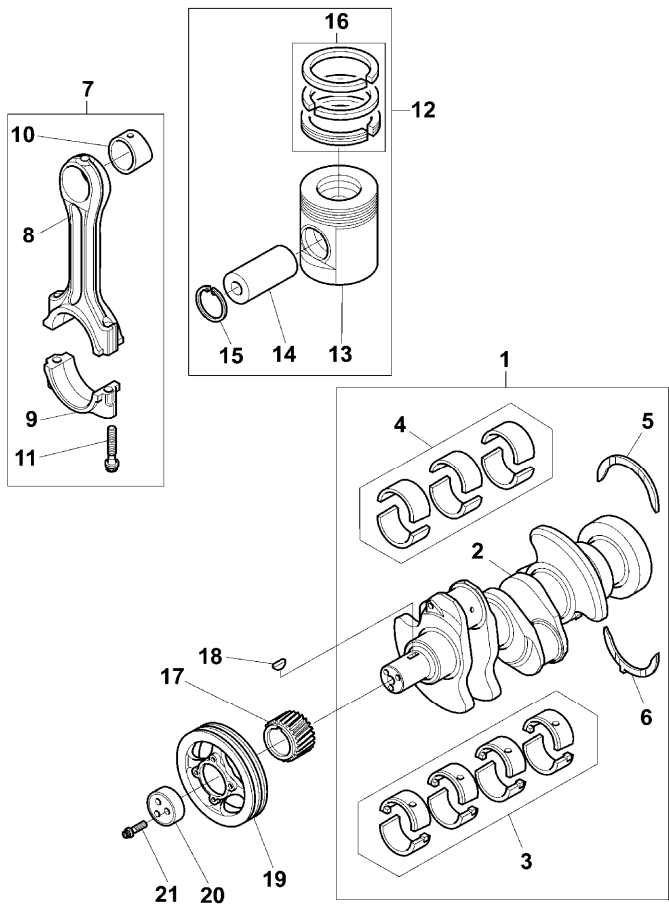
**A-05
03**



A0503

Crankshaft, pistons and connecting rods

RT30\000031.739.png



				Inglese
10	3112A005	!	7	1 Bush
		T-A	17:0	
11	3212V003	!	7	2 Screw
12	4115P015	T-A	17:0	3 Kit
13		!	12	1 Piston
		➡	4115p015	
14		!	12	1 Pin
		➡	4115p015	
15	2721332	!	12	2 Ring
16	UPRK0002	!	12	1 Kit
		(X)	0.1.3.	
		T-A	17:0	
17	3117C221	T-A	13:0	1 Gear
18	0500012	T-A	13:0	1 Key
19	3115T051	T-A	2:0	1 Pulley
20	3241N001	T-A	2:0	1 Block
21	32186137			3 Screw
	!	This is a component of an assembly		
	➡	From serial or engine number		
	➡	Up to serial or engine number		
	➡	Not serviced, order		
	⚡	Shim		
	●	Replacement		
	(X)	Qty per tractors sold (aa.bbb.ccc.ddd) (aa) for 1,(bbb) 2-10 (ccc) 11-25 (ddd) 26-50		
	T-A	Replacement		
	A	Blue		
	B	Purple		

Engine

**A-05
03**

Crankshaft,pistons and connecting rods

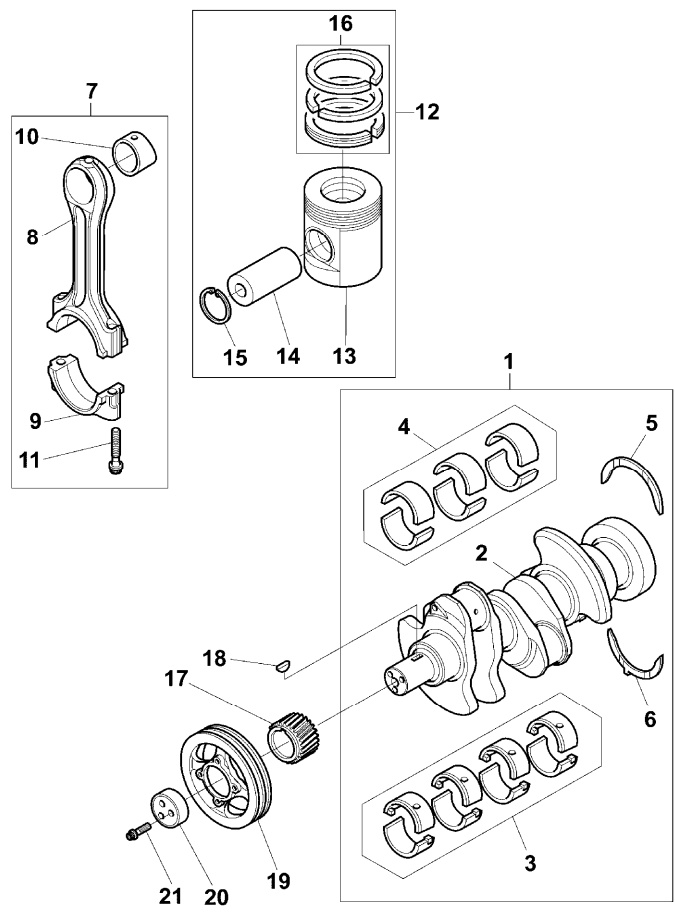
C-L mondial Tier 2 (2007-) - RT30 - C 80 L



A0503

RT30\000031.739.png

- C Green
- D White
- E Orange
- F Red



Engine

C-L mondial Tier 2 (2007-) - RT30 - C 80 L

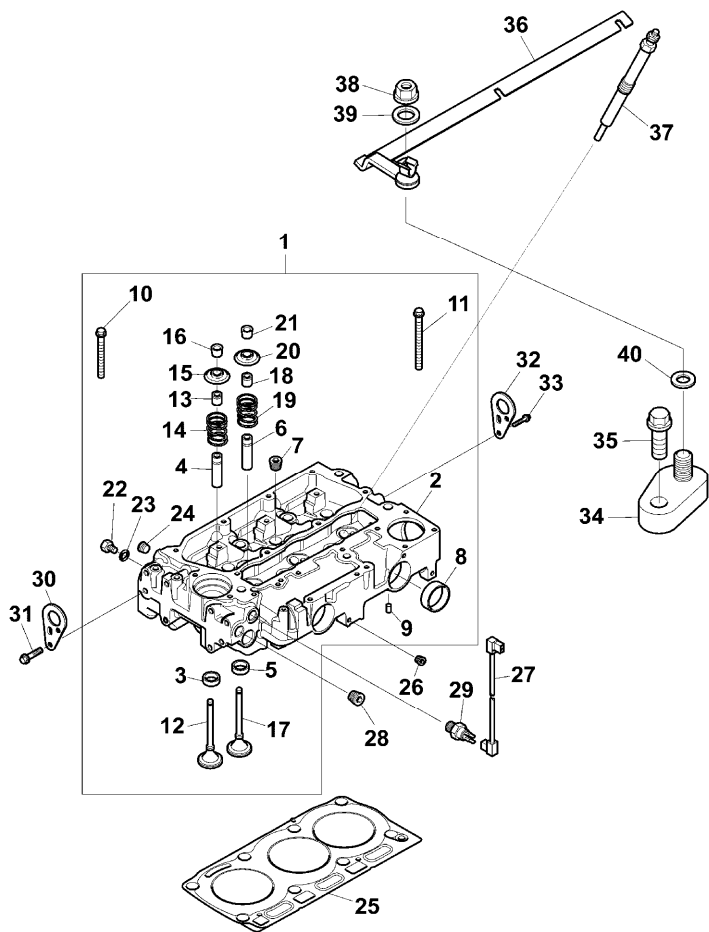
A-05
04



A0504

Cylinder head

RT30\000031.740.png



		Inglese	
1	4181V015	● 4181V041(1) T-A 4:0 T-B 7:0	1 Head
2		! 1 ➡ 4181v015	1 Head
3	3314A151	! 1 ● 3314A241(3) T-A 7:50	3 Insert
4	3313E021	! 1 ● 3313A012(3) T-A 7:50	3 Guide
5	3314A161	! 1 ● 3314A231(3) T-A 7:50	3 Insert
6	3313E021	! 1 ● 3313A012(3) T-A 7:50	3 Guide
7	0650588	! 1 T-A 0:50	3 Plug
8	32416117	! 1 T-A 1:0	3 Plug
9	3244A009	! 1	2 Dowel
10	3218A011	! 1	5 Screw
11	3218A012	! 1	3 Screw
12	3142H071	! 1 T-A 7:50	3 Valve

Engine

C-L mondial Tier 2 (2007-) - RT30 - C 80 L

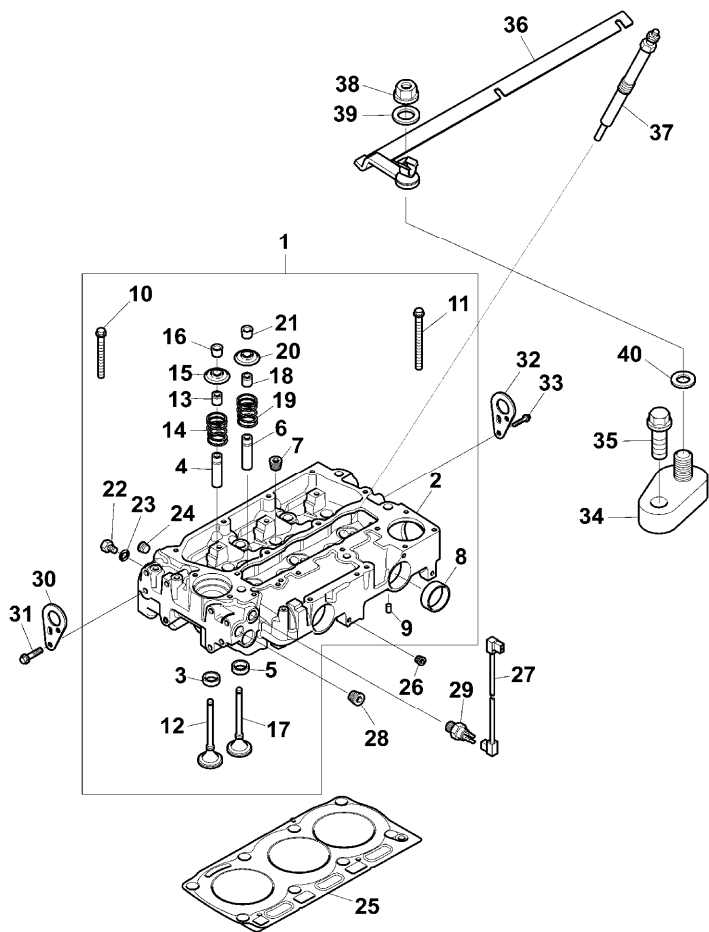
**A-05
04**



A0504

Cylinder head

RT30\000031.740.png



		Inglese	
13	2418M514	! 1	3 Ring
		● N.L.S.(3)	
		T-A 3:0	
14	3174A016	! 1	3 Spring
		T-A 3:0	
15	3342A011	! 1	3 Cover
		T-A 3:0	
16	3142W004	! 1	6 Cotter
		T-A 3:0	
17	3142A151	! 1	3 Valve
		T-A 7:50	
18	2418M514	! 1	3 Ring
		● N.L.S.(3)	
		T-A 3:0	
19	3174A016	! 1	3 Spring
		T-A 3:0	
20	3342A011	! 1	3 Cover
		T-A 3:0	
21	3142W004	! 1	6 Cotter
		T-A 3:0	
22	3278A006	! 1	1 Plug
23	2415H003	! 1	1 Ring
24	2431154	! 1	3 Plug
25	3681E045	● 3681E049(1)	1 Gasket
		(X)	
		T-A 4:0	

Engine

C-L mondial Tier 2 (2007-) - RT30 - C 80 L

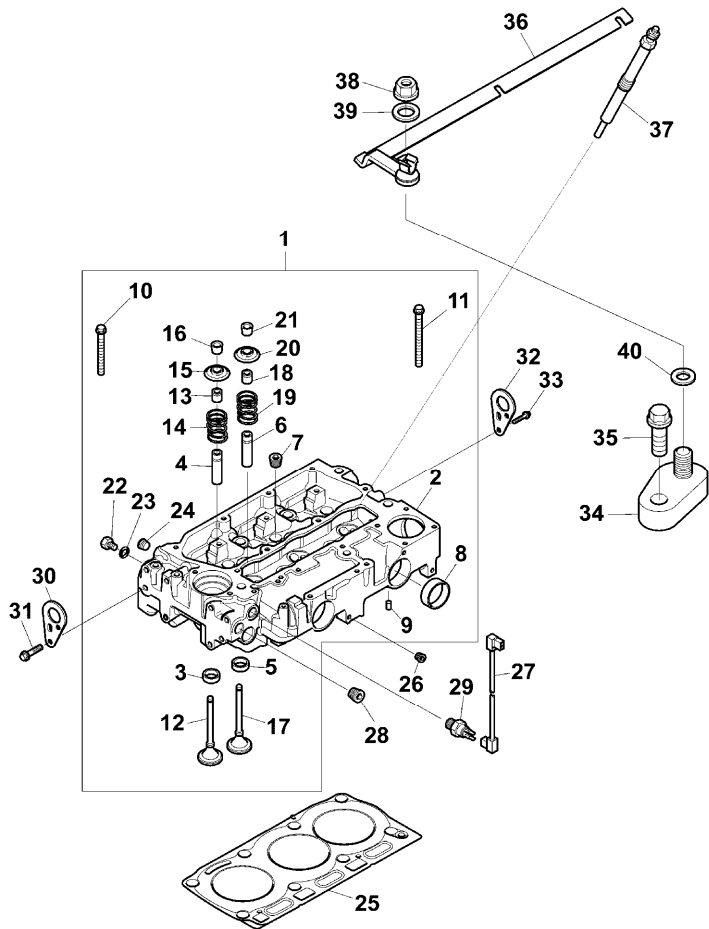
RT30\000031.740.png

A-05
04



A0504

Cylinder head



			Inglese
26	2431131	● 0650594(1)	1 Plug
27	3161C017	T-A 0:25	1 Cable
28	2431154		1 Plug
29	2848A127	A T-A 0:25	1 Sensor
30	3617A015		1 Stirrup
31	2314J002		2 Screw
32	3617A015		1 Stirrup
33	2314J002		2 Screw
34	3881A006		1 Insulator
35	2314F004		1 Screw
36	3812A031		1 Bar
37	2666A016	T-A 0:75	3 Spark plug
38	2318A602		1 Nut
39	2134A609		1 Washer
40	0920002		1 Washer

! This is a component of an assembly

🔧 Not serviced, order

● Replacement

(X) Qty per tractors sold (aa.bbb.ccc.ddd) (aa) for 1,(bbb) 2-10 (ccc) 11-25 (ddd) 26-50

T-A Replacement

T-B Overhaul

A Engine water temperature

Engine

C-L mondial Tier 2 (2007-) - RT30 - C 80 L

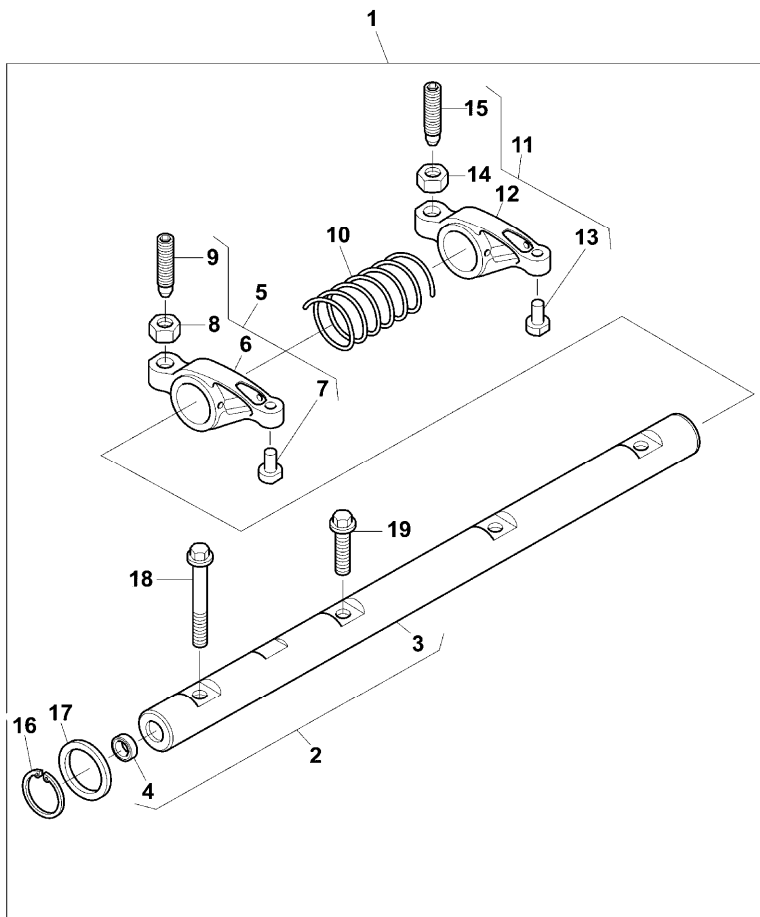
A-05
05



A0505

Rocker shaft

RT30\000031.741.png



		Inglese	
1	4115R611	T-A 4:0	1 Shaft
2	4115R702	! 1	1 Shaft
		T-A 4:0	
3		! 2	1 Shaft
		➡ 4115r702	
4	2485A104	! 2	2 Plug
		T-A 4:0	
5	4115R314	! 1	3 Rocker
		T-A 4:0	
6		! 5	1 Rocker
		➡ 4115r314	
7		! 5	1 Shim
		➡ 4115r314	
8	0576052	! 5	1 Nut
9	32114145	! 5	1 Screw
10	3174A015	! 1	2 Spring
		T-A 4:0	
11	4115R315	! 1	3 Rocker
		T-A 4:0	
12		! 11	1 Rocker
		➡ 4115r315	
13		! 11	1 Shim
		➡ 4115r315	
14	0576052	! 11	1 Nut
15	32114145	! 11	1 Screw
		T-A 1:25	

Engine

C-L mondial Tier 2 (2007-) - RT30 - C 80 L

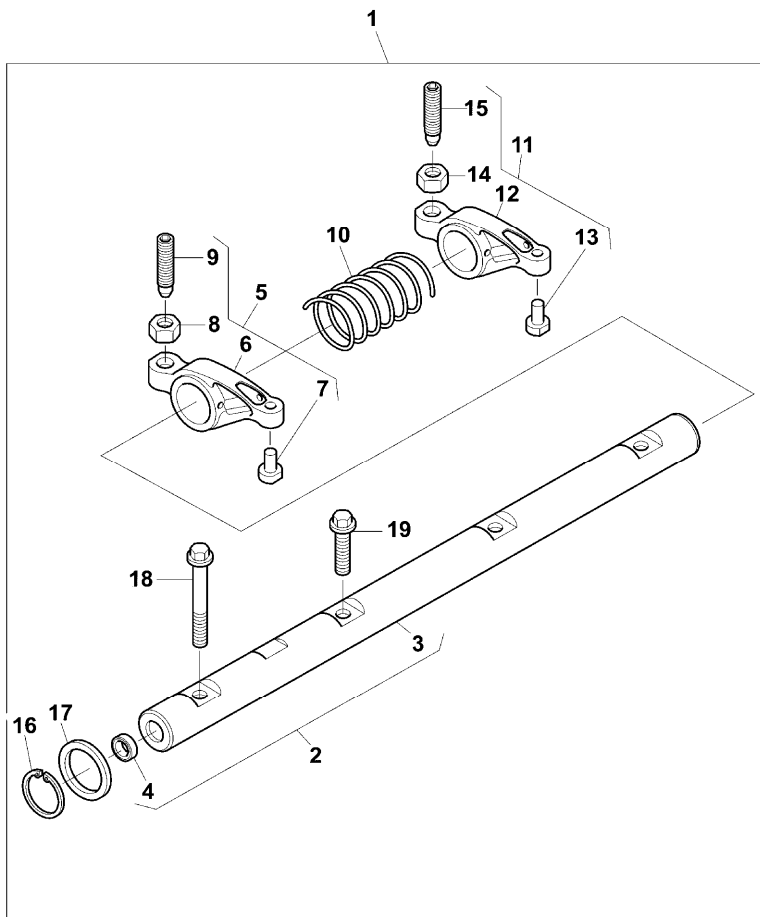
RT30\000031.741.png

A-05
05



A0505

Rocker shaft



16 2722A022 ! 1

17 2134A502 ! 1

T-A 4:0

18 2316A901 ! 1

19 2316A902 ! 1

! This is a component of an assembly

Not serviced, order

T-A Replacement

Inglese

2 Ring

2 Washer

1 Screw

2 Screw

Buy Now



Our support email:

ebooklibonline@outlook.com