

Engine

Bmax (2007- ) - RT62 - 90

RT62\000020625.png

A-05  
01

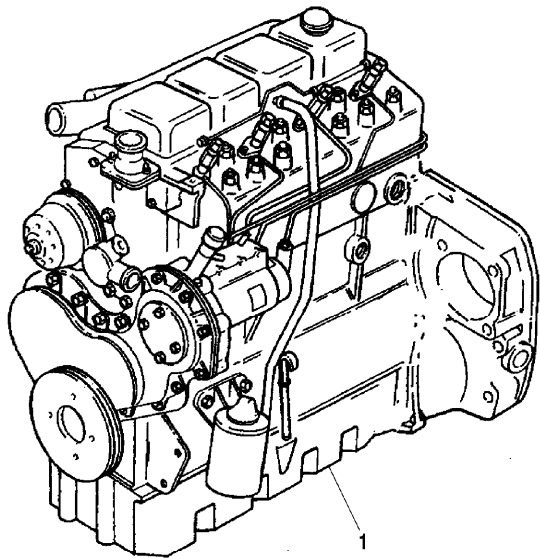


A0501

Engine assembly

Inglese

- A
- 1 3692366M91 "perkins - rr81621' 1 Engine  
90 cv
- A Blue engine



Engine

Bmax (2007- ) - RT62 - 90

RT62\000031.104.PNG

A-05  
011



A05011

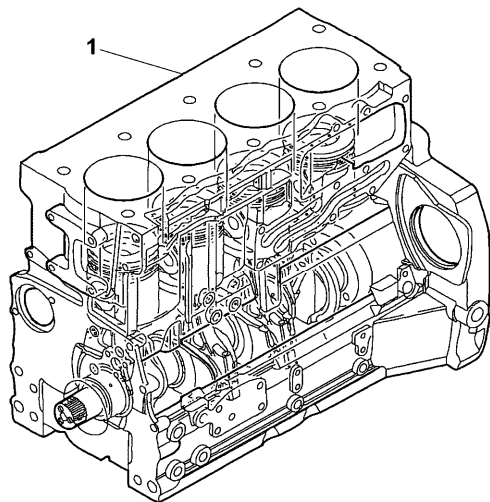
Short engine

Inglese

1 RE40021 ➡ U491477 t  
T-A 0:30

1 Short engine

➡ From serial or engine number  
T-A Replacement



Engine

Bmax (2007- ) - RT62 - 90

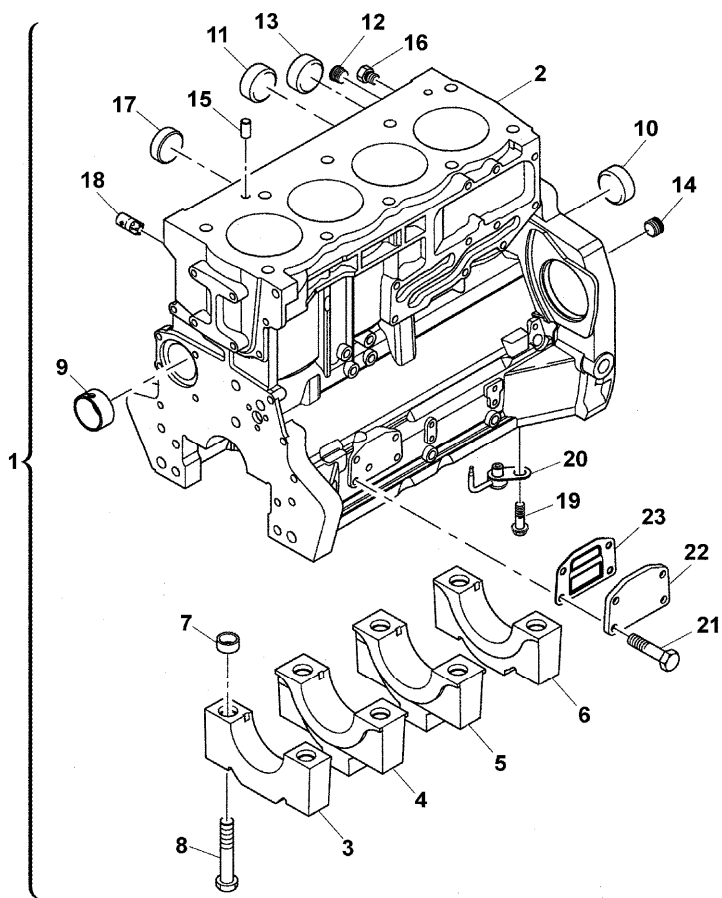
A-05  
02



A0502

Cylinder block

RT62\000030.945.png



		Inglese
1	ZZ50312	● ZZ50325(1) 1 Kit
2		T-A 31:0 ! 1 1 Cylinder block
3		➤ Ref.n.1 ! 1 1 Bearing
4		➤ Ref.n.1 ! 1 2 Bearing
5		➤ Ref.n.1 ! 1 1 Bearing
6		➤ Ref.n.1 ! 1 1 Bearing
7	33142111	! 1 10 Manicott
8	32166329	! 1 10 Screw
9	3112D071	! 1 1 Bush
10	3241A012	● 3112D075(1) ! 1 1 Plug
11	3241A011	! 1 2 Plug
12	0650588	! 1 1 Plug
13	0650710	! 1 1 Plug
14	3212P008	! 1 1 Plug
15	3244A009	! 1 2 Dowel
16	32141316	! 1 2 Plug
17	2485A108	! 1 1 Plug
18	3212V006	! 1 1 Plug

Engine

Bmax (2007- ) - RT62 - 90

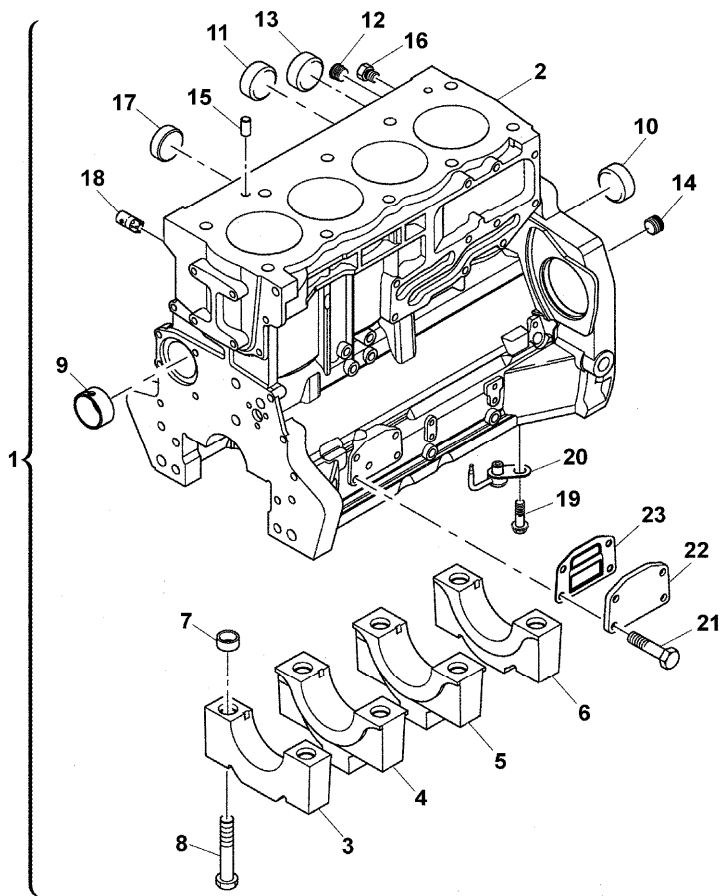
RT62\000030.945.png

A-05  
02



A0502

Cylinder block



- 19 2314F001 ! 1
- 20 2113A003 ! 1
- 21 2314H033 ! 1
- 22 3623A009 ! 1
- T-A 0:50
- 23 3688A039 ! 1
- T-A 0:50

Inglese

- 4 Screw
- 4 Atomiser
- 4 Screw
- 1 Plate
- 1 Gasket

- ! This is a component of an assembly
- ▣ Not serviced, order
- Replacement
- T-A Replacement

Engine

Bmax (2007- ) - RT62 - 90

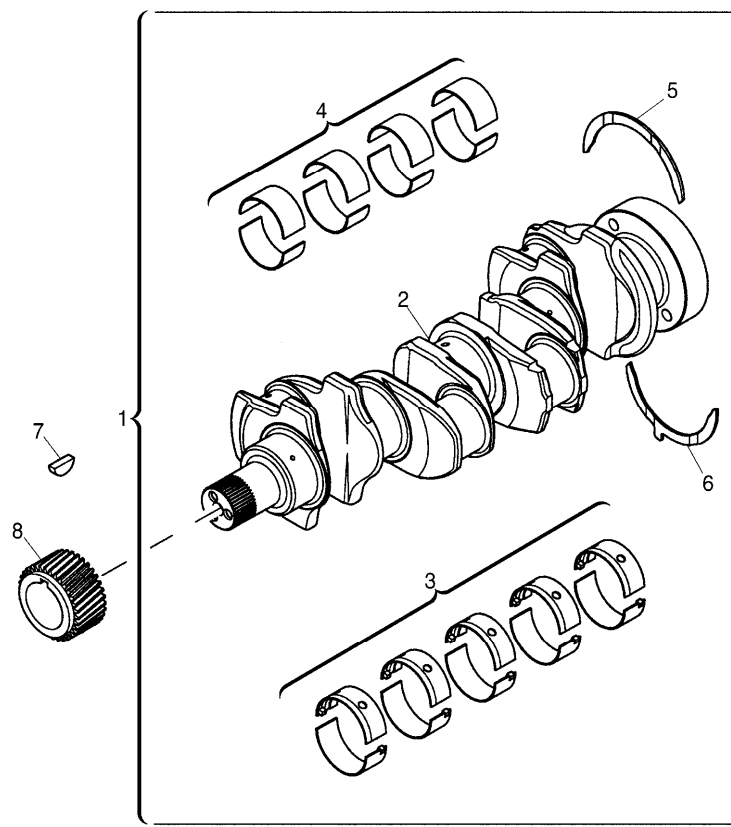
RT62\000020524.png

**A-05  
03**



A0503

Crankshaft



Inglese

- |   |           |   |              |   |       |
|---|-----------|---|--------------|---|-------|
| 1 | ZZ90224   | ➔ | U491476 t    | 1 | Kit   |
|   |           | ● | ZZ90239(1)   |   |       |
|   |           |   | T-A 15:0     |   |       |
| 1 | ZZ90237   | ➔ | U491477 t    | 1 | Shaft |
| 2 |           | ! | 1            | 1 | Shaft |
|   |           | ➔ | Ref.n.1      |   |       |
| 3 | U5MB0018  | ! | 1            | 1 | Kit   |
|   |           | ➔ | U491476 t    |   |       |
|   |           | ● | U5MB0033(1)  |   |       |
|   |           |   | T-A 15:0     |   |       |
| 3 | U5MB0018A | ! | 1            | 1 | Kit   |
|   |           | ⌘ | 0.010"       |   |       |
|   |           | ➔ | U491476 t    |   |       |
|   |           | ● | U5MB0033A(1) |   |       |
|   |           |   | T-A 15:0     |   |       |
| 3 | U5MB0018B | ! | 1            | 1 | Kit   |
|   |           | ⌘ | 0.020"       |   |       |
|   |           | ➔ | U491476 t    |   |       |
|   |           | ● | U5MB0033B(1) |   |       |
|   |           |   | T-A 15:0     |   |       |
| 3 | U5MB0018C | ! | 1            | 1 | Kit   |
|   |           | ⌘ | 0.030"       |   |       |
|   |           | ➔ | U491476 t    |   |       |
|   |           | ● | N.L.A.(1)    |   |       |
|   |           |   | T-A 15:0     |   |       |

Engine

Bmax (2007- ) - RT62 - 90

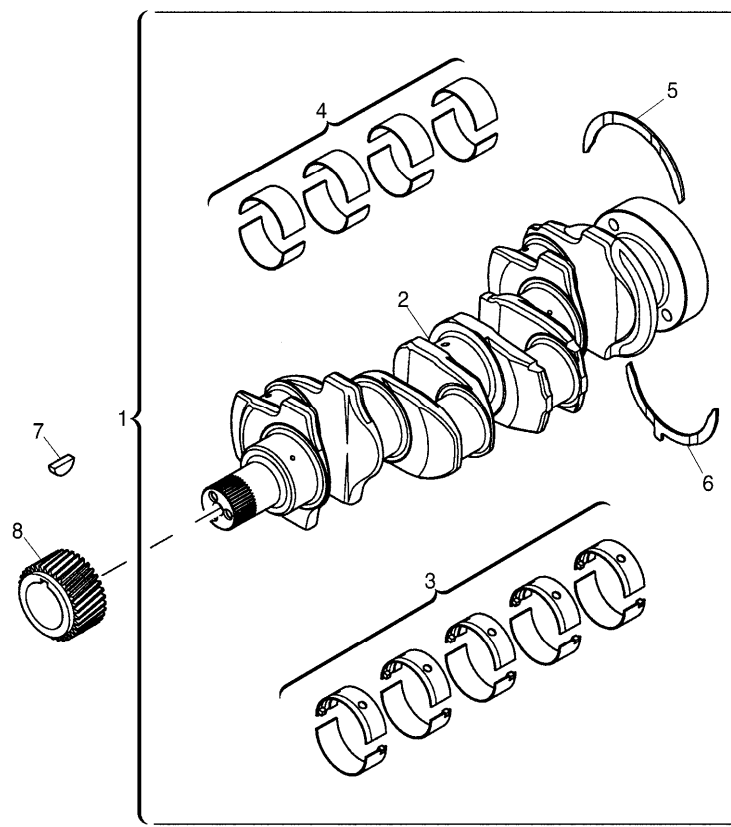
RT62\000020524.png

A-05  
03



A0503

Crankshaft



Inglese

3	U5MB0033	!	1	1 Kit
		➔	U491477 t	
3	U5MB0033A	!	1	1 Kit
		⊗	-0,25mm	
		➔	U491477 t	
3	U5MB0033B	!	1	1 Kit
		⊗	-0,50mm	
		➔	U491477 t	
3	U5MB0033C	!	1	1 Kit
		⊗	-0,75mm	
		➔	U491477 t	
		●	N.L.A.(1)	
4	T400002	!	1	1 Kit
		➔	U491477 t	
		●	T410927(1)	
4	U5ME0026	!	1	1 Kit
		➔	U491476 t	
		●	U5ME0034(1)	
4	U5ME0026A	!	1	1 Kit
		⊗	+0,25mm	
		➔	U491476 t	
		●	U5ME0034A(1)	
4	U5ME0026B	!	1	1 Kit
		⊗	+0,50mm	
		➔	U491476 t	
		●	U5ME0034B(1)	

Engine

Bmax (2007- ) - RT62 - 90

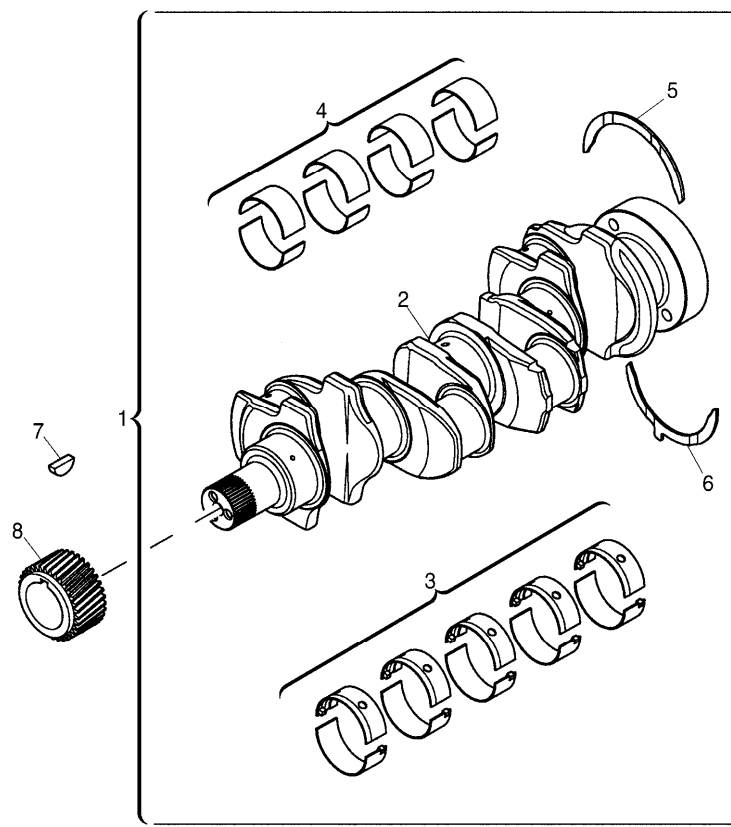
RT62\000020524.png

**A-05  
03**



A0503

Crankshaft



**Inglese**

4	U5ME0026C	!	1	1 Kit
		▲	+0,75mm	
		➔	U491476 t	
		●	U5ME0034C(1)	
5	31137312	!	1	2 Ring
		▲	0.007"	
		T-A	15:0	
5	31137551	!	1	2 Washer
		T-A	15:0	
6	31137322	!	1	2 Ring
		▲	0.007"	
		T-A	15:0	
6	31137561	!	1	2 Washer
		T-A	15:0	
7	0500012	T-A	10:0	1 Key
8	3117C221	T-A	10:0	1 Gear
	!	This is a component of an assembly		
	➔	From serial or engine number		
	➔	Up to serial or engine number		
	➔	Not serviced, order		
	▲	Shim		
	●	Replacement		
	T-A	Replacement		

Engine

Bmax (2007- ) - RT62 - 90

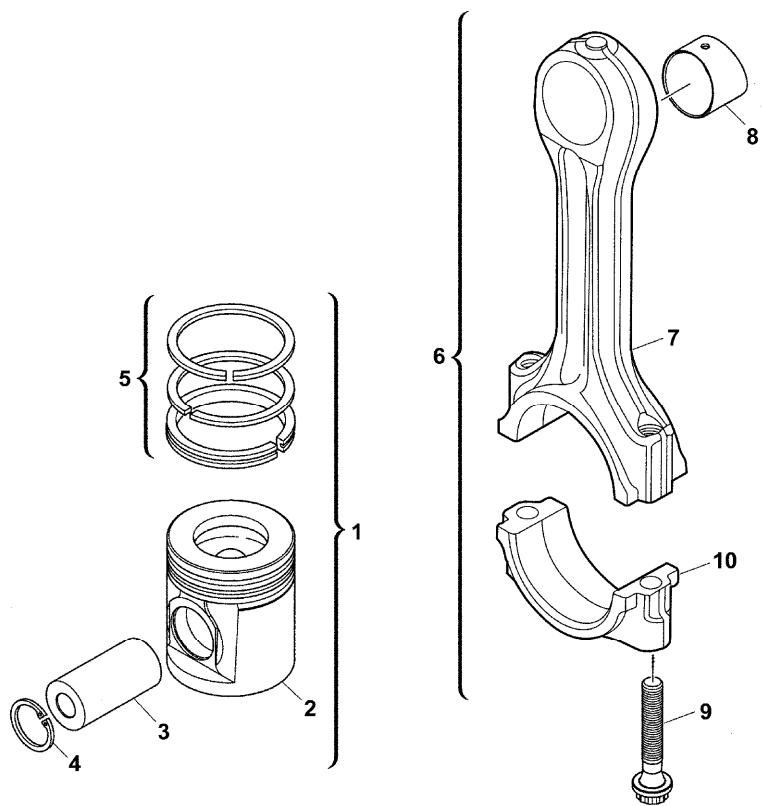
RT62\000030.975.png

A-05  
04



A0504

Pistons and connecting rods



Inglese

1	4115P011	T-A 14:0	4	Kit
1	4115P012	✂ (+)0.50mm	4	Kit
1	4115P013	✂ (+)1.00mm	4	Kit
2		! 1	1	Piston
		➡ Ref.n.1		
3		! 1	1	Piston
		➡ Ref.n.1		
4	2721332	! 1	2	Ring
5	UPRK0003	! 1	1	Kit
		(X) 1.3.5.		
		T-A 11:25		
6	4115C311	➡ U491476 t	4	Kit
		A		
		T-A 14:0		
6	4115C312	➡ U491476 t	4	Kit
		B		
		T-A 14:0		
6	4115C313	➡ U491476 t	4	Kit
		C		
		T-A 14:0		
6	4115C314	➡ U491476 t	4	Kit
		D		
		T-A 14:0		
6	4115C315	➡ U491476 t	4	Kit
		E		
		T-A 14:0		



Engine

Bmax (2007- ) - RT62 - 90

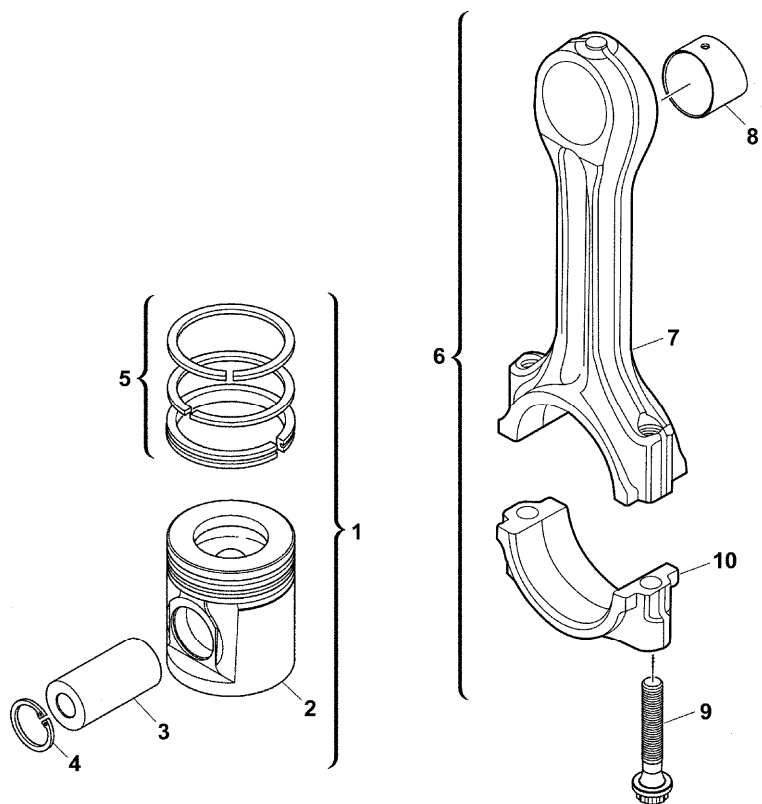
RT62\000030.975.png

A-05  
04



A0504

Pistons and connecting rods



		Inglese	
6	4115C316	➡ U491476 t F T-A 14:0	4 Kit
6	4115C361	➡ U491477 t A	4 Conrod
6	4115C362	➡ U491477 t B	4 Conrod
6	4115C363	➡ U491477 t C	4 Conrod
6	4115C364	➡ U491477 t D	4 Conrod
6	4115C365	➡ U491477 t E	4 Conrod
6	4115C366	➡ U491477 t F	4 Conrod
7	!	6	1 Conrod
	➡	Ref.n.6	
8	3112A005	! 6	1 Bush
9	3212V003	! 6	2 Screw
	➡	U491476 t	
9	T400001	! 6	2 Screw
	➡	U491477 t	
10	!	6	1 Guard
	➡	Ref.n.6	

! This is a component of an assembly

➡ From serial or engine number

Engine

Bmax (2007- ) - RT62 - 90

RT62\000030.975.png

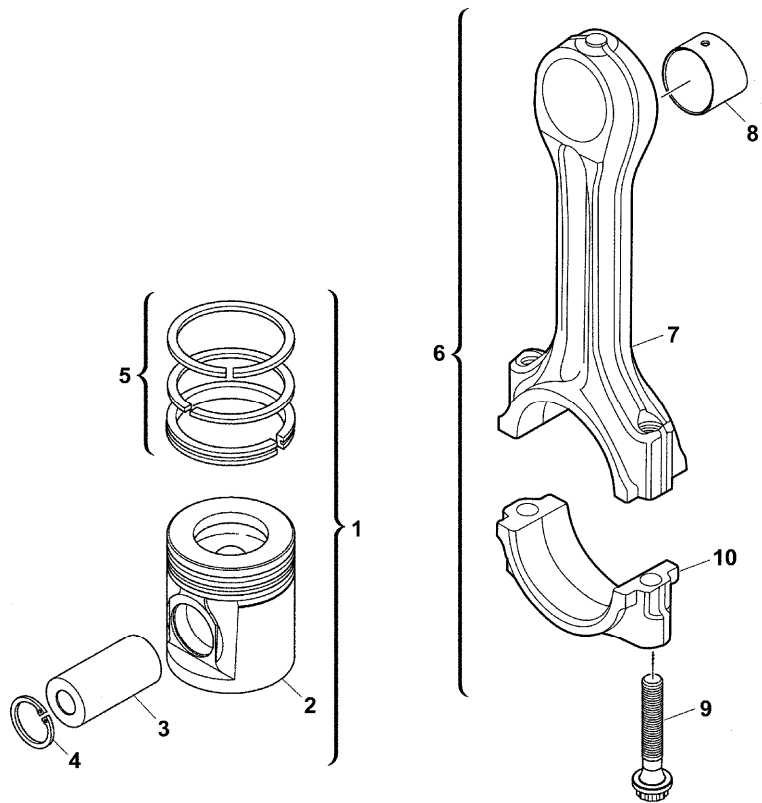
A-05  
04



A0504

Pistons and connecting rods

- ➔ Up to serial or engine number
- 🚫 Not serviced, order
- ⚡ Shim
- (X) Qty per tractors sold (aa.bbb.ccc.ddd) (aa) for 1,(bbb) 2-10 (ccc) 11-25 (ddd) 26-50
- T-A Replacement
- A Red
- B Orange
- C White
- D Green
- E Purple
- F Blue



Engine

Bmax (2007- ) - RT62 - 90

RT62\000030.948.png

A-05  
05



A0505

End cover

Inglese

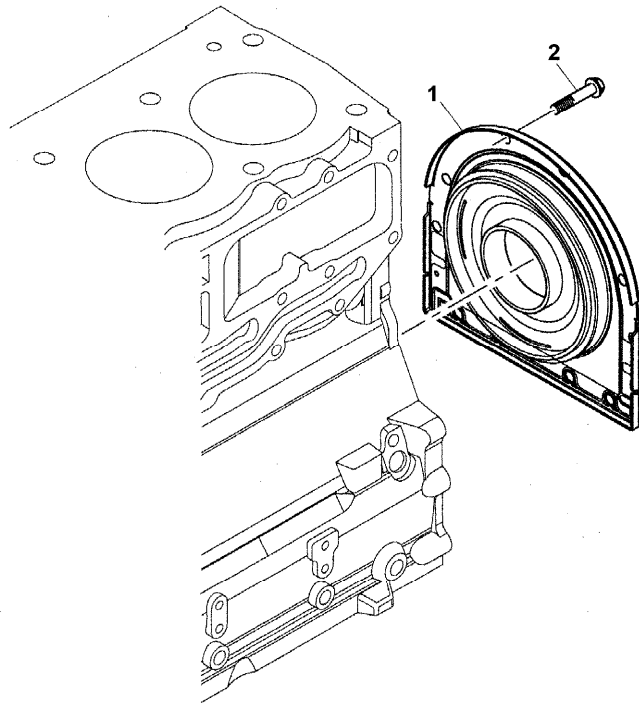
1 2418F704 T-A 9:0

2 3211C002

T-A Replacement

1 Housing

10 Screw



Engine

Bmax (2007- ) - RT62 - 90

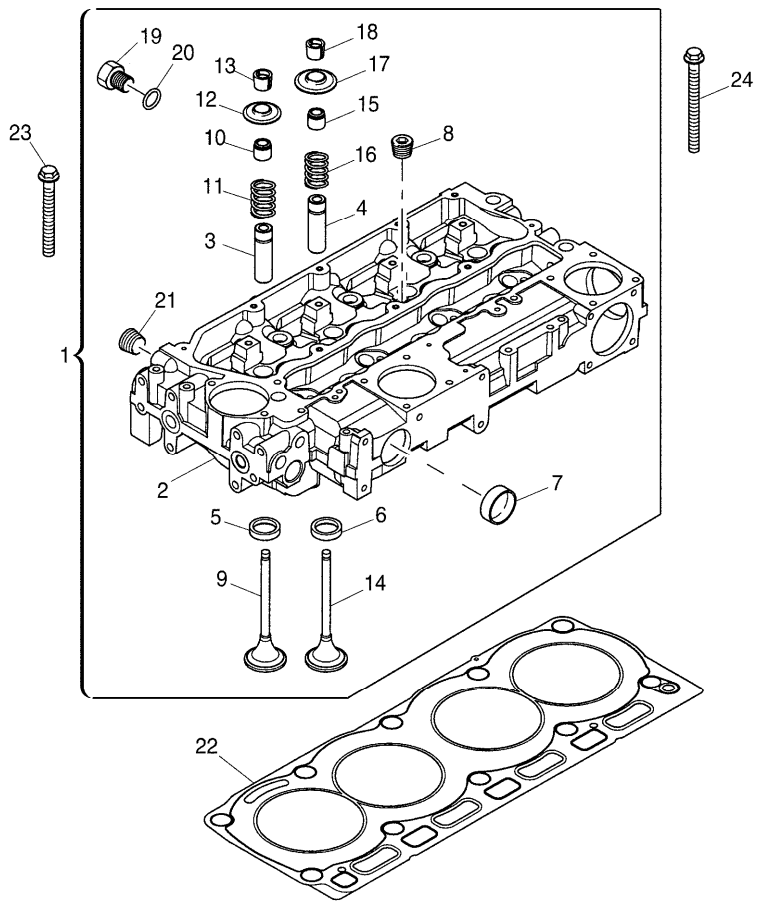
RT62\000020527.png

A-05  
06



A0506

Cylinder head



		Inglese	
1	ZZ80270	T-A 4:0	1 Kit
		T-B 7:0	
2		!	1 Kit
		➡ Ref.n.1	
3	3313A012	!	4 Insert
		T-A 7:50	
4	3313A012	!	4 Insert
		T-A 7:50	
5	3314A241	!	4 Insert
		T-A 7:50	
6	3314A231	!	4 Insert
		T-A 7:50	
7	32416117	!	2 Plug
		T-A 1:0	
8	0650588	!	4 Plug
		T-A 0:50	
9	3142H071	!	4 Valve
		T-A 7:50	
10	2418M519	!	4 Ring
		A	
		T-A 3:0	
11	3174A016	!	4 Spring
		T-A 3:0	
12	3342A011	!	4 Cover
		T-A 3:0	

Engine

Bmax (2007- ) - RT62 - 90

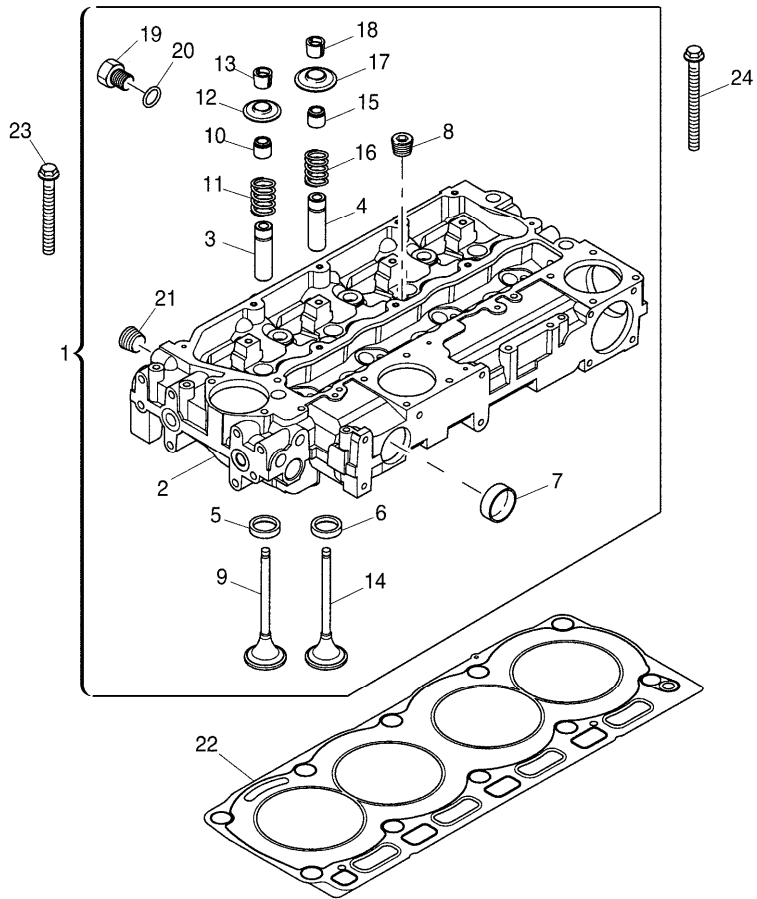
RT62\000020527.png

**A-05  
06**



A0506

Cylinder head



**Inglese**

13	3142W004	!	1	8	Cotter
		T-A	3:0		
14	3142A151	!	1	4	Valve
		T-A	7:50		
15	2418M517	!	1	4	Ring
		B			
		T-A	3:0		
16	3174A016	!	1	4	Spring
		T-A	3:0		
17	3342A011	!	1	4	Cover
		T-A	3:0		
18	3142W004	!	1	8	Cotter
		T-A	3:0		
19	3278A006	!	1	1	Plug
20	2415H003	!	1	1	Ring
21	2431154	!	1	1	Plug
22	3681E051	(X)	1.3.5.	1	Gasket
		T-A	4:0		
23	3218A011			7	Screw
24	3218A012			3	Screw

! This is a component of an assembly

▣ Not serviced, order

(X) Qty per tractors sold (aa.bbb.ccc.ddd) (aa) for 1,(bbb) 2-10 (ccc) 11-25 (ddd) 26-50

T-A Replacement

T-B Overhaul

A Green

B Brown

Engine

Bmax (2007- ) - RT62 - 90

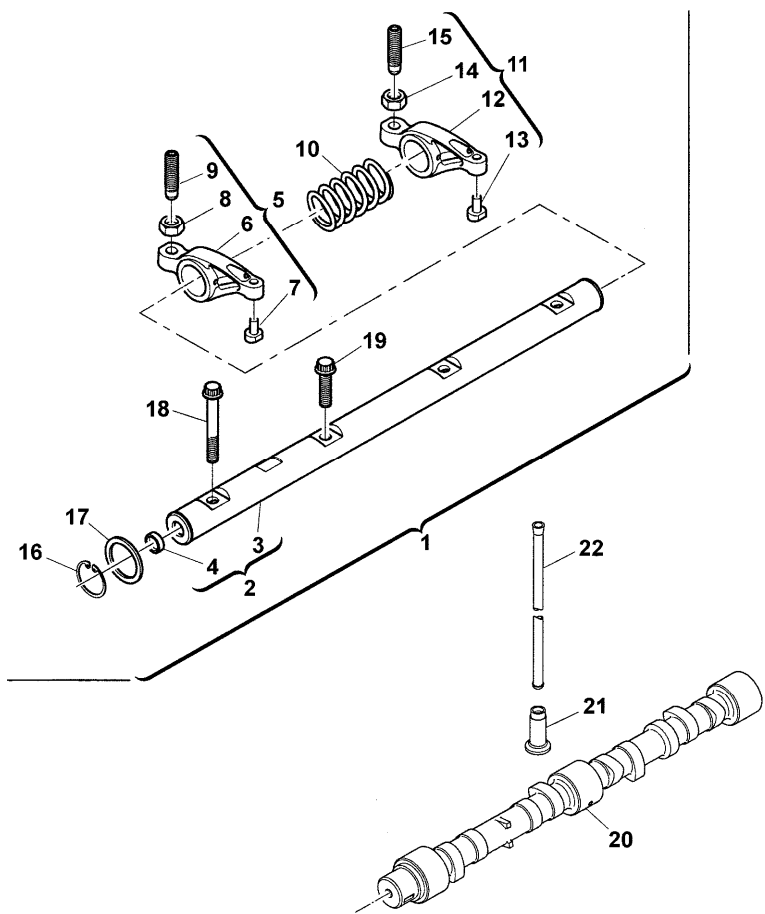
RT62\000030.950.png

A-05  
07



A0507

Rocker shaft



Inglese

1	4115R612	T-A 4:0	1	Rocker
2	4115R703	! 1	1	Shaft
		T-A 4:0		
3		! 2	1	Shaft
		➡ Ref.n.2		
4	2485A104	! 2	2	Plug
5	4115R314	! 1	4	Rocker
		T-A 4:0		
6		! 5	1	Rocker
		➡ Ref.n.5		
7		! 5	1	Pad
		➡ Ref.n.5		
8	0576052	! 5	1	Nut
9	32114145	! 5	1	Screw
10	3174A015	! 1	3	Spring
		T-A 4:0		
11	4115R315	! 1	4	Rocker
		T-A 4:0		
12		! 11	1	Rocker
		➡ Ref.n.11		
13		! 11	1	Pad
		➡ Ref.n.11		
14	0576052	! 11	1	Nut
15	32114145	! 11	1	Screw
		T-A 1:25		
16	2722A022	! 1	2	Ring

**Buy Now**



Our support email:

[ebooklibonline@outlook.com](mailto:ebooklibonline@outlook.com)