

Engine

Bmax (2007- ) - RT62 - 100

RT62\00005170.png

A-05  
01



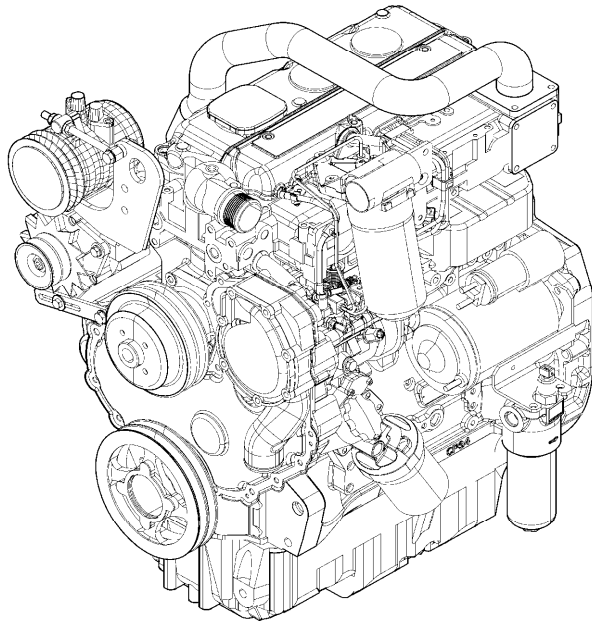
A0501

Engine assembly

Inglese

- A
- 1 3684364M91 "perkins - rs81543 1 Engine  
100 cv
- A Blue engine

1



Engine

Bmax (2007- ) - RT62 - 100

RT62\00002787.png

A-05  
011



A05011

Short engine

1                    ➡ U491476 t

A

1 RG40023        ➡ U491477 t

➡ From serial or engine number

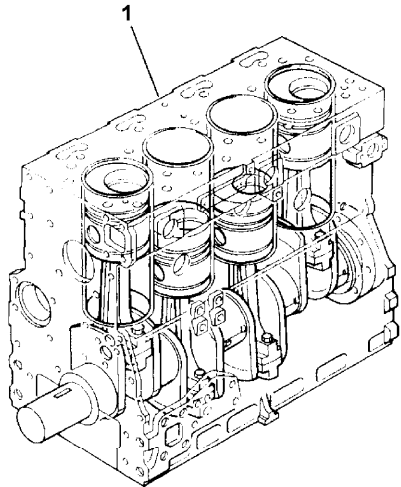
➡ Up to serial or engine number

A To be advised

Inglese

1 Short engine

1 Short engine



Engine

Bmax (2007- ) - RT62 - 100

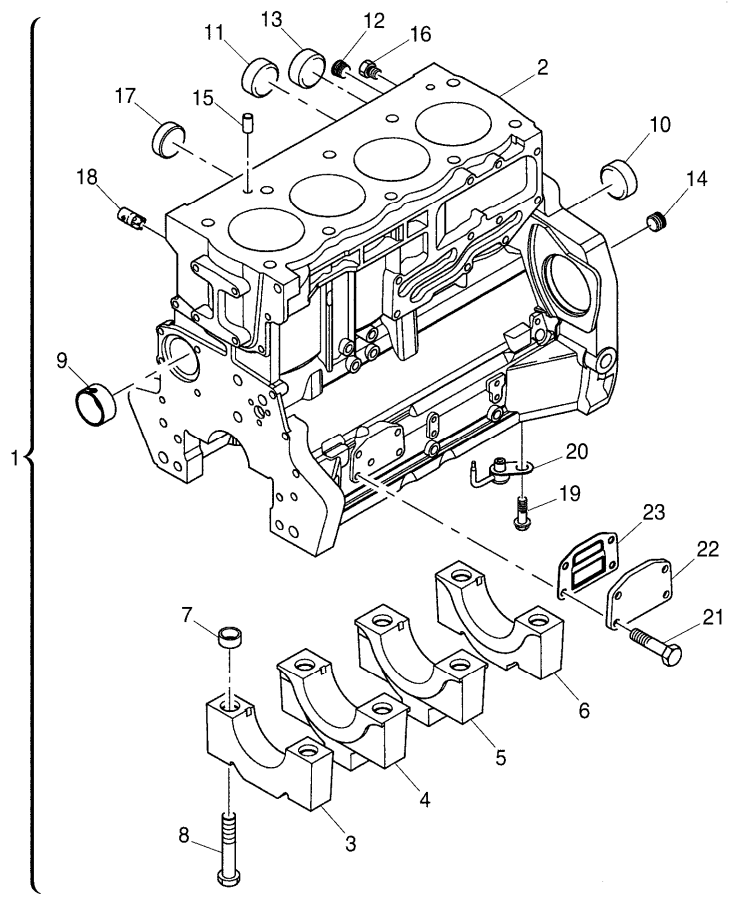
RT62\000020523.png

A-05  
02



A0502

Cylinder block



		Inglese	
1	ZZ50312	● ZZ50325(1)	1 Kit
		T-A 30:0	
2		! 1	1 Cylinder block
		➡ Ref.n.1	
3		! 1	1 Bearing
		➡ Ref.n.1	
4		! 1	2 Bearing
		➡ Ref.n.1	
5		! 1	1 Bearing
		➡ Ref.n.1	
6		! 1	1 Bearing
		➡ Ref.n.1	
7	33142111	! 1	10 Manicott
8	32166329	! 1	10 Screw
9	3112D071	! 1	1 Bush
		● 3112D075(1)	
10	3241A012	! 1	1 Plug
11	3241A011	! 1	2 Plug
12	0650588	! 1	1 Plug
13	0650710	! 1	1 Plug
14	3212P008	! 1	1 Plug
15	3244A009	! 1	2 Dowel
16	32141316	! 1	2 Plug
17	2485A108	! 1	1 Plug
18	3212V006	! 1	1 Plug

Engine

Bmax (2007- ) - RT62 - 100

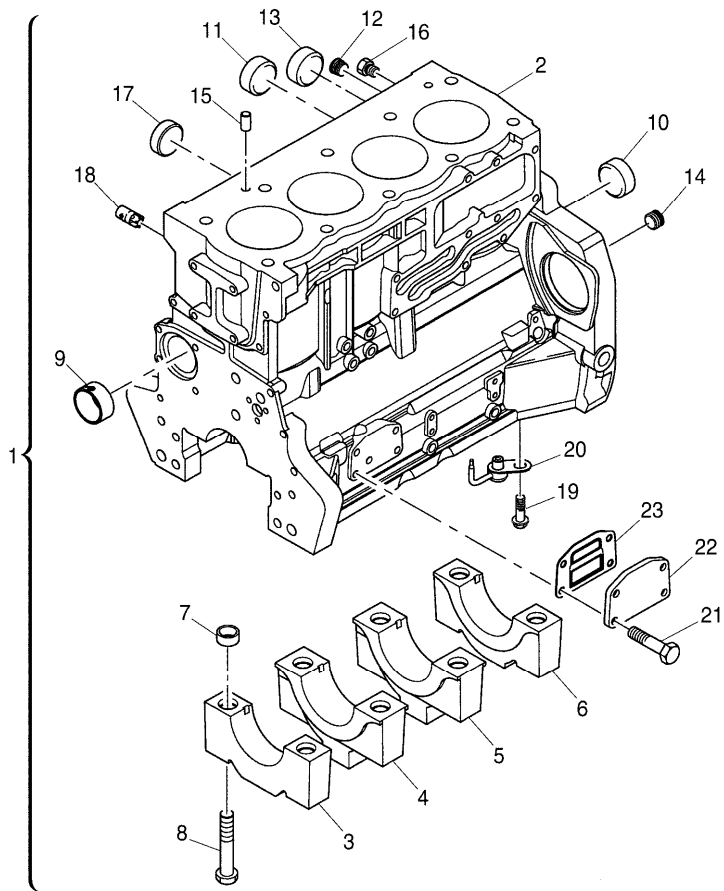
RT62\000020523.png

A-05  
02



A0502

Cylinder block



- 19 2314F001 ! 1
- 20 2113A003 ! 1
- 21 2314H033 ! 1
- 22 3623A009 ! 1
- T-A 0:25
- 23 3688A039 ! 1
- T-A 0:25

Inglese

- 4 Screw
- 4 Atomiser
- 4 Screw
- 1 Plate
- 1 Gasket

- ! This is a component of an assembly
- ▣ Not serviced, order
- Replacement
- T-A Replacement

Engine

Bmax (2007- ) - RT62 - 100

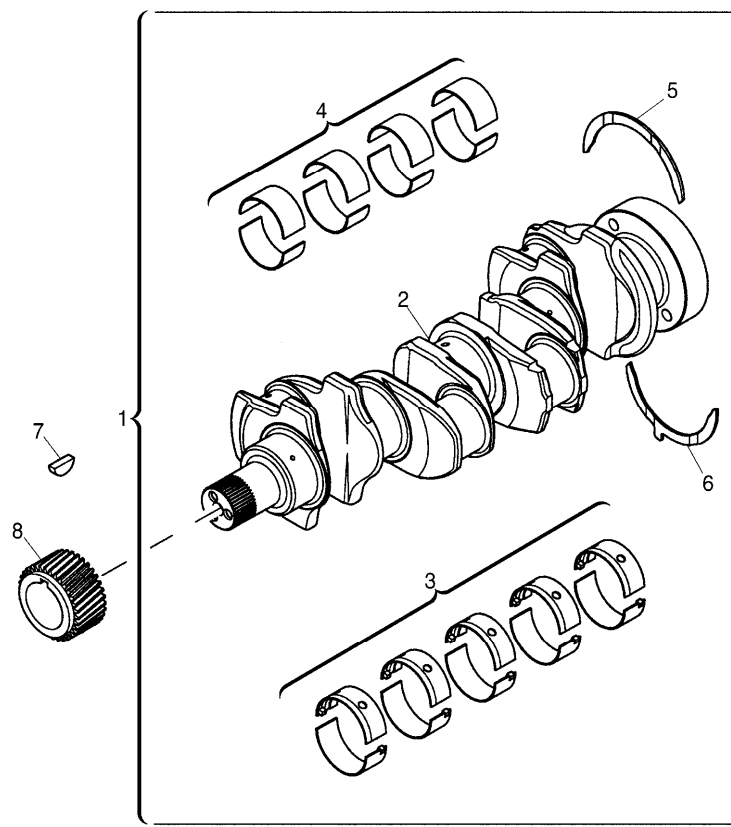
RT62\000020524.png

A-05  
03



A0503

Crankshaft



Inglese

- |   |           |   |              |   |       |
|---|-----------|---|--------------|---|-------|
| 1 | ZZ90222   | ➔ | U491476 t    | 1 | Kit   |
|   |           | ● | ZZ90239(1)   |   |       |
|   |           |   | T-A 15:0     |   |       |
| 1 | ZZ90237   | ➔ | U491477 t    | 1 | Shaft |
| 2 |           | ! | 1            | 1 | Shaft |
|   |           | ➔ | Ref.n.1      |   |       |
| 3 | U5MB0018  | ! | 1            | 1 | Kit   |
|   |           | ➔ | U491476 t    |   |       |
|   |           | ● | U5MB0033(1)  |   |       |
|   |           |   | T-A 15:0     |   |       |
| 3 | U5MB0018A | ! | 1            | 1 | Kit   |
|   |           | ⌘ | 0.010"       |   |       |
|   |           | ➔ | U491476 t    |   |       |
|   |           | ● | U5MB0033A(1) |   |       |
|   |           |   | T-A 15:0     |   |       |
| 3 | U5MB0018B | ! | 1            | 1 | Kit   |
|   |           | ⌘ | 0.020"       |   |       |
|   |           | ➔ | U491476 t    |   |       |
|   |           | ● | U5MB0033B(1) |   |       |
|   |           |   | T-A 15:0     |   |       |
| 3 | U5MB0018C | ! | 1            | 1 | Kit   |
|   |           | ⌘ | 0.030"       |   |       |
|   |           | ➔ | U491476 t    |   |       |
|   |           | ● | N.L.A.(1)    |   |       |
|   |           |   | T-A 15:0     |   |       |

Engine

Bmax (2007- ) - RT62 - 100

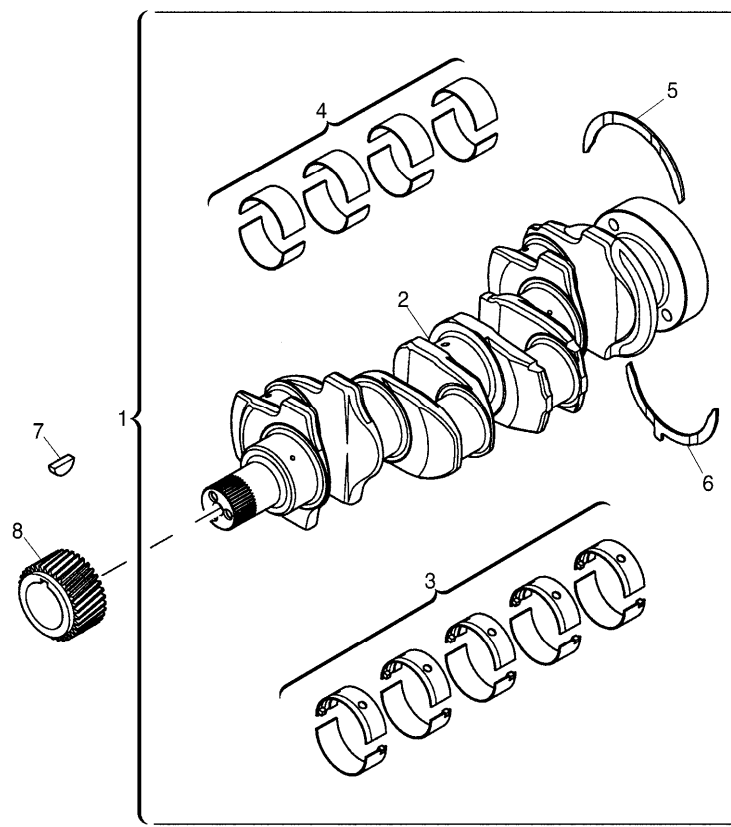
RT62\000020524.png

A-05  
03



A0503

Crankshaft



Inglese

3	U5MB0033	!	1	1 Kit
		➔	U491477 t	
3	U5MB0033A	!	1	1 Kit
		⊗	-0,25mm	
		➔	U491477 t	
3	U5MB0033B	!	1	1 Kit
		⊗	-0,50mm	
		➔	U491477 t	
3	U5MB0033C	!	1	1 Kit
		⊗	-0,75mm	
		➔	U491477 t	
		●	N.L.A.(1)	
4	T400002	!	1	1 Kit
		➔	U491477 t	
		●	T410927(1)	
4	U5ME0026	!	1	1 Kit
		➔	U491476 t	
		●	U5ME0034(1)	
4	U5ME0026A	!	1	1 Kit
		⊗	+0,25mm	
		➔	U491476 t	
		●	U5ME0034A(1)	
4	U5ME0026B	!	1	1 Kit
		⊗	+0,50mm	
		➔	U491476 t	
		●	U5ME0034B(1)	

Engine

Bmax (2007- ) - RT62 - 100

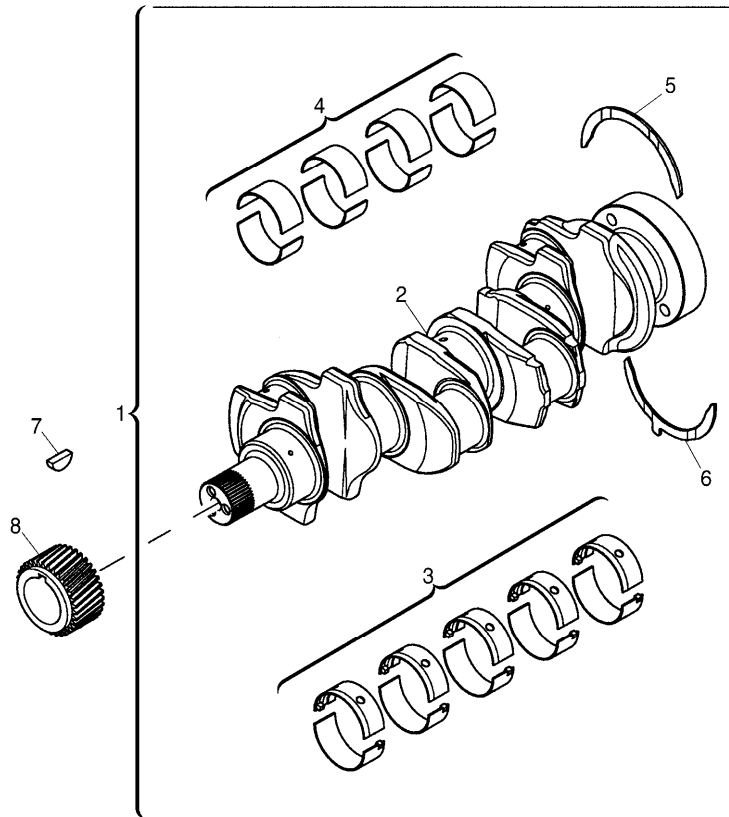
RT62\000020524.png

A-05  
03



A0503

Crankshaft



				Inglese
4	U5ME0026C	!	1	1 Kit
		▲	+0,75mm	
		➔	U491476 t	
		●	U5ME0034C(1)	
5	31137312	!	1	2 Ring
		▲	0.007"	
		T-A	15:0	
5	31137551	!	1	2 Washer
		T-A	15:0	
6	31137322	!	1	2 Ring
		▲	0.007"	
		T-A	15:0	
6	31137561	!	1	2 Washer
		T-A	15:0	
7	0500012	T-A	10:0	1 Key
8	3117C221	T-A	10:0	1 Gear
	!	This is a component of an assembly		
	➔	From serial or engine number		
	➔	Up to serial or engine number		
	➔	Not serviced, order		
	▲	Shim		
	●	Replacement		
	T-A	Replacement		

Engine

Bmax (2007- ) - RT62 - 100

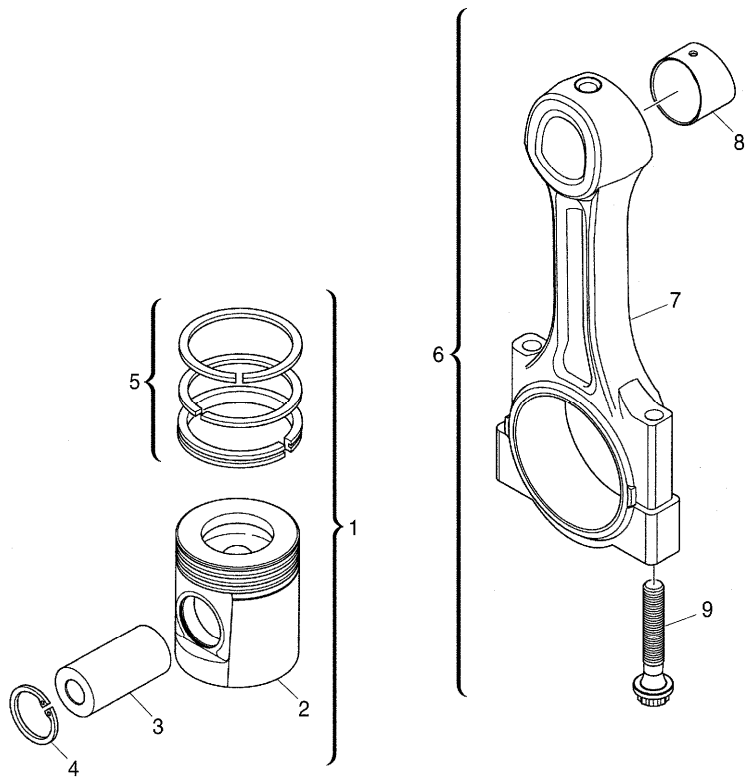
RT62\000020562.png

**A-05  
04**



A0504

Pistons and connecting rods



		Inglese
1	4115P015 G	4 Kit
	T-A 14:0	
1	4115P016  +0,5 mm	4 Kit
1	4115P017  +1,0 mm	4 Kit
2	! 1	1 Piston
	Ref.n.1	
3	! 1	1 Piston
	Ref.n.1	
4	2721332 ! 1	2 Ring
5	UPRK0002 ! 1	1 Kit
	(X) 1.2.5.	
	T-A 11:25	
6	4115C311  U491476 t	4 Kit
	A	
	T-A 14:0	
6	4115C312  U491476 t	4 Kit
	B	
	T-A 14:0	
6	4115C313  U491476 t	4 Kit
	C	
	T-A 14:0	
6	4115C314  U491476 t	4 Kit
	D	
	T-A 14:0	



Engine

Bmax (2007- ) - RT62 - 100

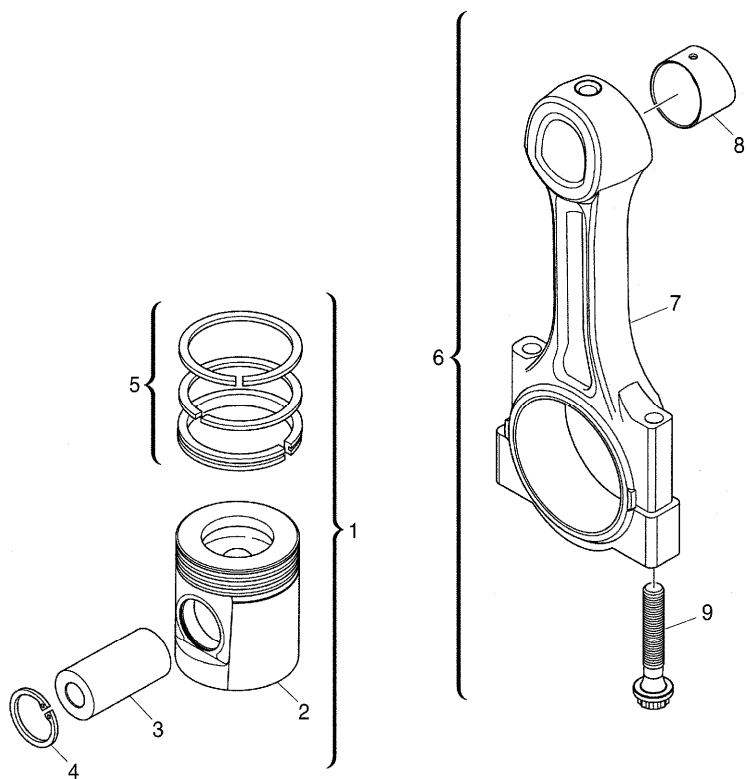
RT62\000020562.png

A-05  
04



A0504

Pistons and connecting rods



		Inglese	
6	4115C315	➡ U491476 t	4 Kit
	E		
	T-A	14:0	
6	4115C316	➡ U491476 t	4 Kit
	F		
	T-A	14:0	
6	4115C361	➡ U491477 t	4 Conrod
	A		
6	4115C362	➡ U491477 t	4 Conrod
	B		
6	4115C363	➡ U491477 t	4 Conrod
	C		
6	4115C364	➡ U491477 t	4 Conrod
	D		
6	4115C365	➡ U491477 t	4 Conrod
	E		
6	4115C366	➡ U491477 t	4 Conrod
	F		
7	!	6	1 Conrod
	➡	Ref.n.6	
8	3112A005	!	6
	T-A	14:0	
9	3212V003	!	6
	➡	U491476 t	2 Screw
9	T400001	!	6
	➡	U491477 t	2 Screw

Engine

Bmax (2007- ) - RT62 - 100

RT62\000020562.png

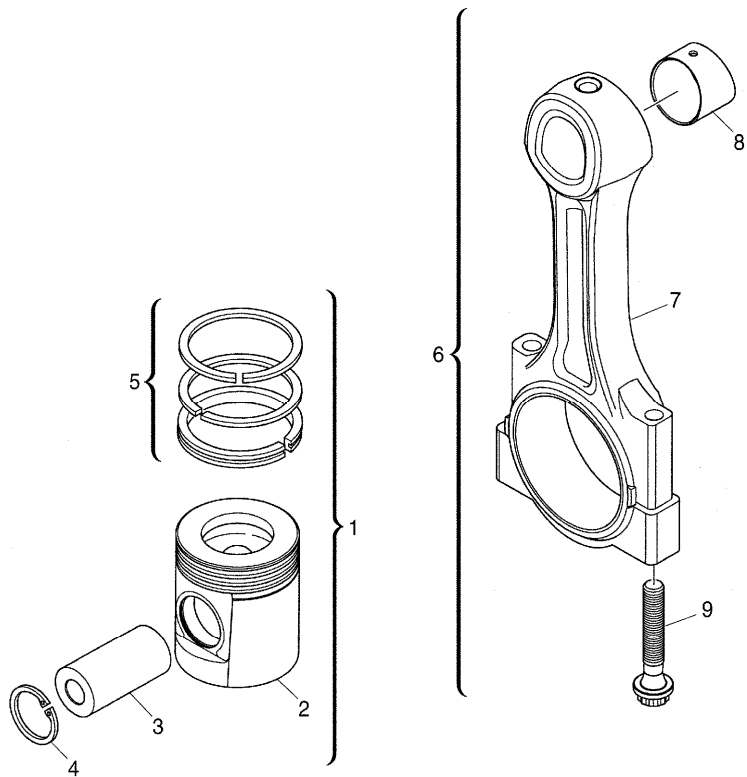
A-05  
04



A0504

Pistons and connecting rods

- ! This is a component of an assembly
- ➔ From serial or engine number
- ➡ Up to serial or engine number
- 🚫 Not serviced, order
- ⏏ Shim
- (X) Qty per tractors sold (aa.bbb.ccc.ddd) (aa) for 1,(bbb) 2-10 (ccc) 11-25 (ddd) 26-50
- T-A Replacement
- A Red
- B Orange
- C White
- D Green
- E Purple
- F Blue
- G Std



Engine

Bmax (2007- ) - RT62 - 100

RT62\000020526.png

A-05  
05



A0505

End cover

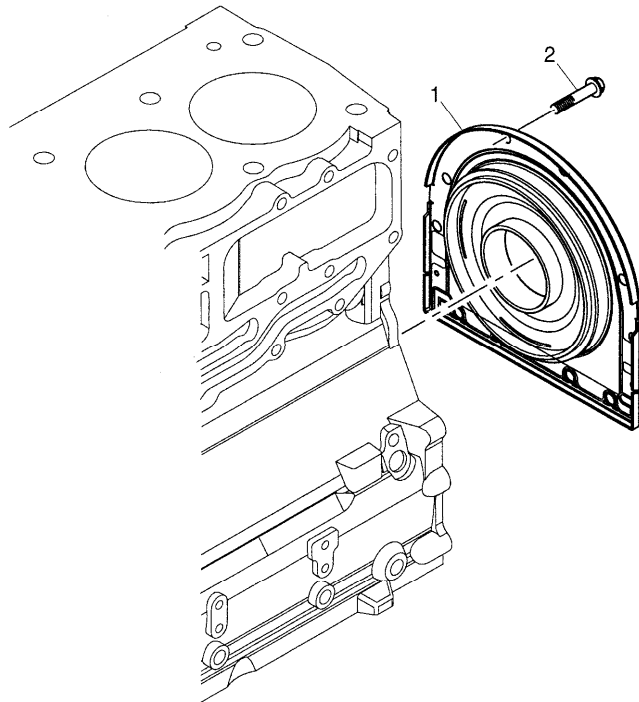
Inglese

1 2418F704 (X) 1.2.5. 1 Housing  
T-A 9:0

2 3211C002 10 Screw

(X) Qty per tractors sold (aa.bbb.ccc.ddd) (aa) for 1,(bbb) 2-10 (ccc) 11-25 (ddd) 26-50

T-A Replacement



Engine

Bmax (2007- ) - RT62 - 100

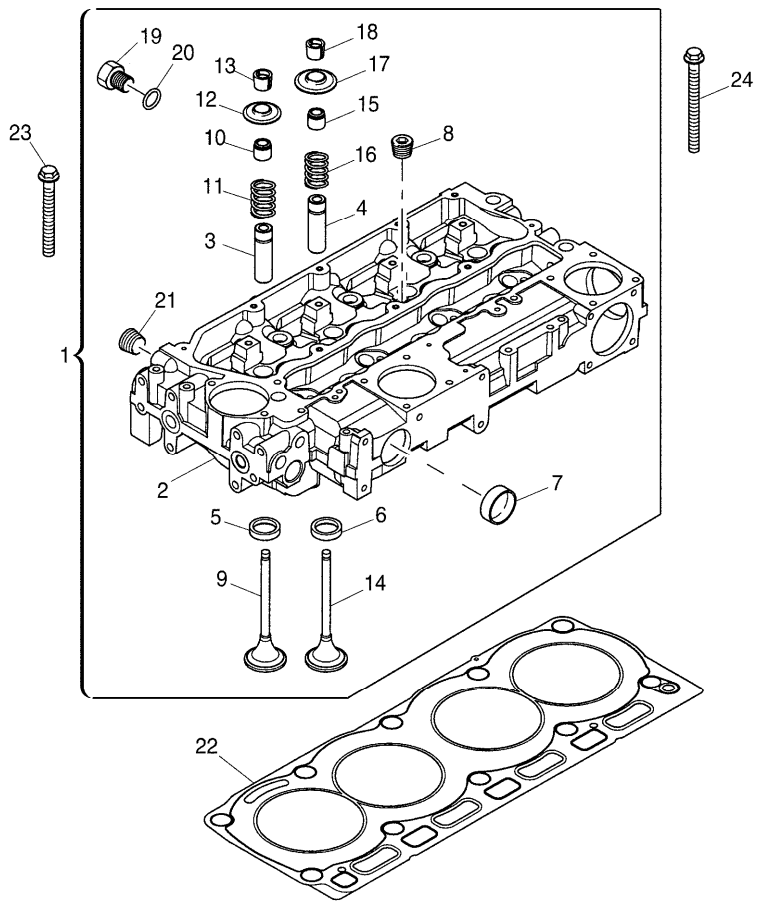
RT62\000020527.png

**A-05  
06**



A0506

Cylinder head



		Inglese	
1	ZZ80268	T-A 4:0	1 Kit
		T-B 7:50	
2		!	1 Body
		➡ Ref.n.1	
3	3313A012	!	4 Insert
		T-A 7:50	
4	3313A012	!	4 Insert
		T-A 7:50	
5	3314A241	!	4 Insert
		T-A 7:50	
6	3314A231	!	4 Insert
		T-A 7:50	
7	32416117	!	2 Plug
8	0650588	!	4 Plug
9	3142H071	!	4 Valve
		T-A 7:50	
10	2418M519	!	4 Ring
		A	
11	3174A016	!	4 Spring
		T-A 3:0	
12	3342A011	!	4 Cover
		T-A 3:0	
13	3142W004	!	8 Cotter
		T-A 3:0	
14	3142A151	!	4 Valve
		T-A 7:50	

Engine

Bmax (2007- ) - RT62 - 100

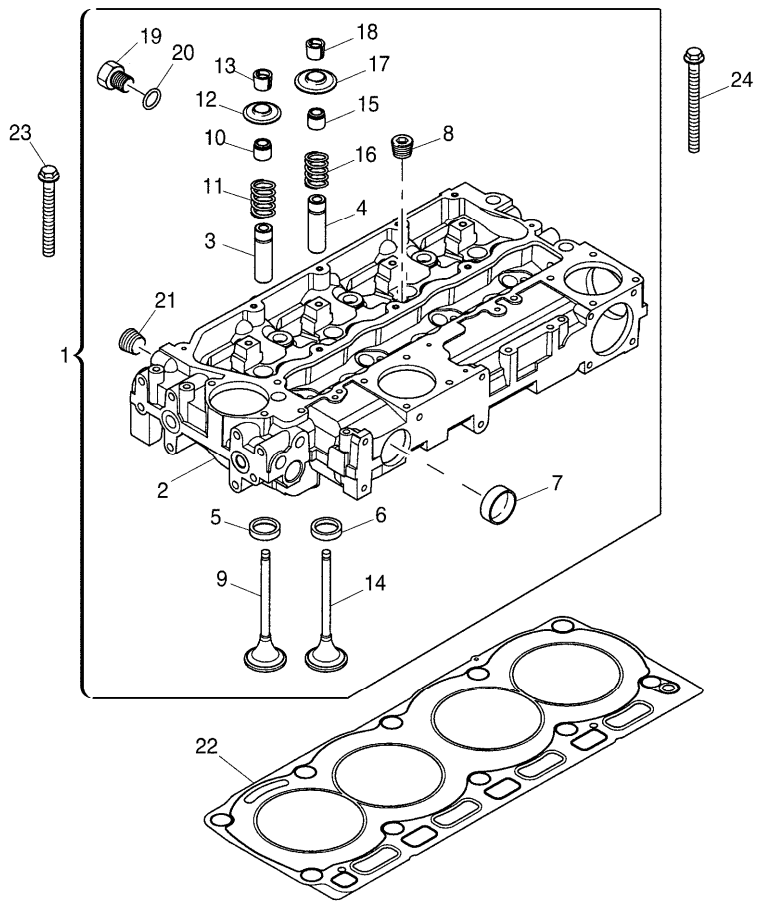
RT62\000020527.png

**A-05  
06**



A0506

Cylinder head



			Inglese
15	2418M517	! 1	4 Ring
		B	
16	3174A016	! 1	4 Spring
		T-A 3:0	
17	3342A011	! 1	4 Cover
		T-A 3:0	
18	3142W004	! 1	8 Cotter
		T-A 3:0	
19	3278A006	! 1	1 Plug
20	2415H003	! 1	1 Ring
21	2431154	! 1	1 Plug
22	3681E051	(X) 1.2.5.	1 Gasket
23	3218A011		7 Screw
24	3218A012		3 Screw
!	This is a component of an assembly		
🔧	Not serviced, order		
(X)	Qty per tractors sold (aa.bbb.ccc.ddd) (aa) for 1,(bbb) 2-10 (ccc) 11-25 (ddd) 26-50		
T-A	Replacement		
T-B	Overhaul		
A	Green		
B	Brown		

Engine

Bmax (2007- ) - RT62 - 100

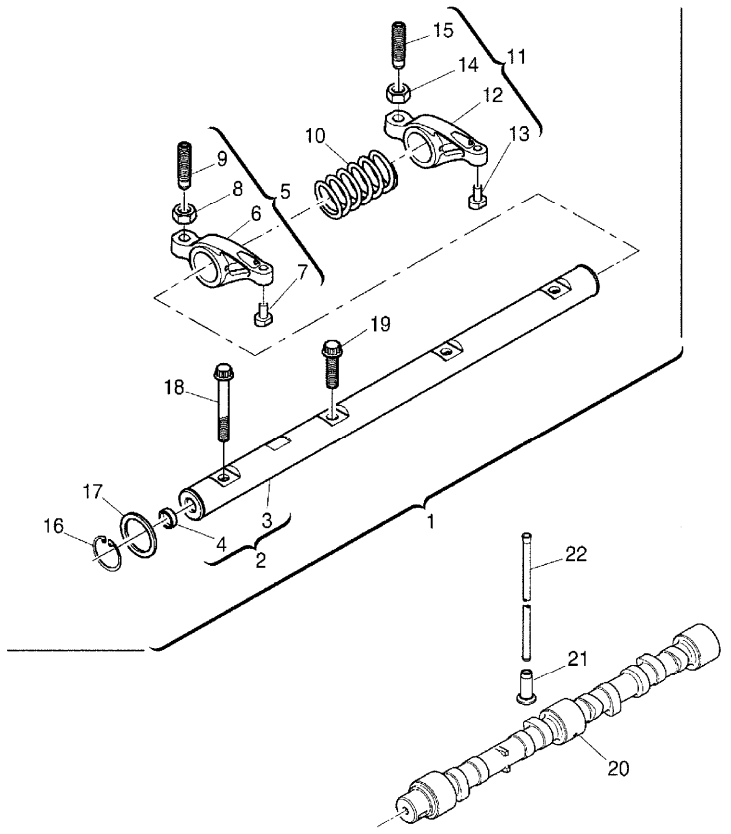
RT62\000014127.png

**A-05  
07**



A0507

Rocker shaft



				Inglese
1	4115R612	T-A 4:0	4:0	1 Rocker
2	4115R703	!	1	1 Shaft
		T-A 4:0	4:0	
3		!	2	1 Axle
		➡	Ref.n.2	
4	2485A104	!	2	2 Plug
5	4115R314	!	1	4 Rocker
		T-A 4:0	4:0	
6		!	5	1 Rocker
		➡	Ref.n.5	
7		!	5	1 Pad
		➡	Ref.n.5	
8	0576052	!	5	1 Nut
9	32114145	!	5	1 Screw
10	3174A015	!	1	3 Spring
		T-A 4:0	4:0	
11	4115R315	!	1	4 Rocker
		T-A 4:0	4:0	
12		!	11	1 Rocker
		➡	Ref.n.11	
13		!	11	1 Pad
		➡	Ref.n.11	
14	0576052	!	11	1 Nut
15	32114145	!	11	1 Screw
		T-A 1:25	1:25	
16	2722A022	!	1	2 Ring

**Buy Now**



Our support email:

[ebooklibonline@outlook.com](mailto:ebooklibonline@outlook.com)