

Engine

Bmax (2007- ) - RT62 - 105

RT62\00005170.png

A-05  
01



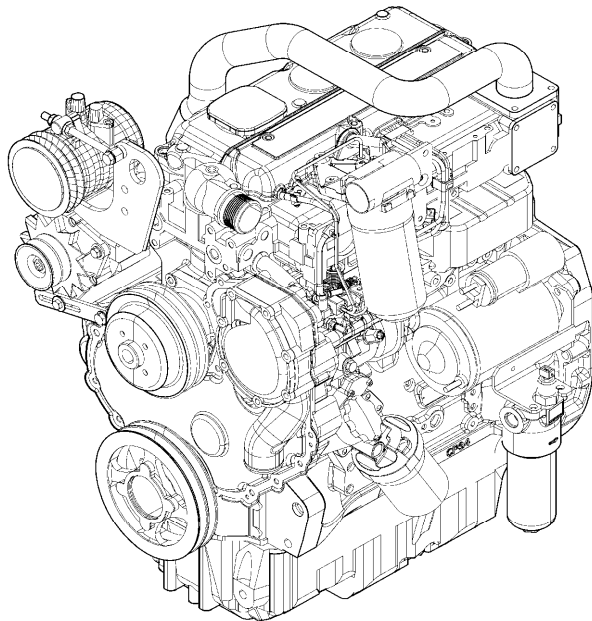
A0501

Engine assembly

Inglese

- A
- 1 3671111M92 "perkins - rg37924 1 Engine  
105 cv
- T-A 7:0
- T-B 30:0
- T-A Replacement
- T-B Overhaul
- A Green engine

1



Engine

Bmax (2007- ) - RT62 - 105

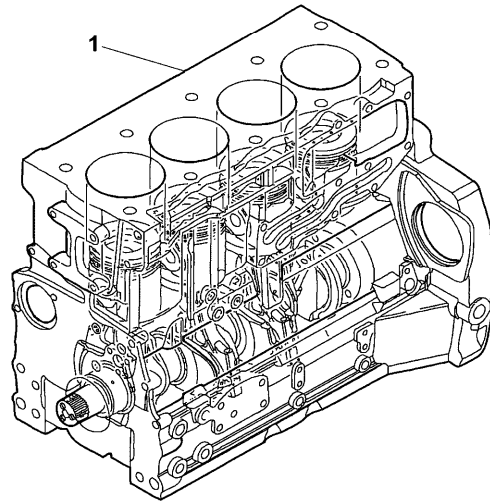
RT62\000031.104.PNG

A-05  
011









A05011

Short engine



Inglese

- 1 RG40001  U491476 t 1 Short engine
-  3115A141(1),  
32186146(3), RG4
- T-A 0:30
- 1 RG40023  U491477 t 1 Short engine
-  From serial or engine number
-  Up to serial or engine number
-  Replacement
- T-A Replacement

Engine

Bmax (2007- ) - RT62 - 105

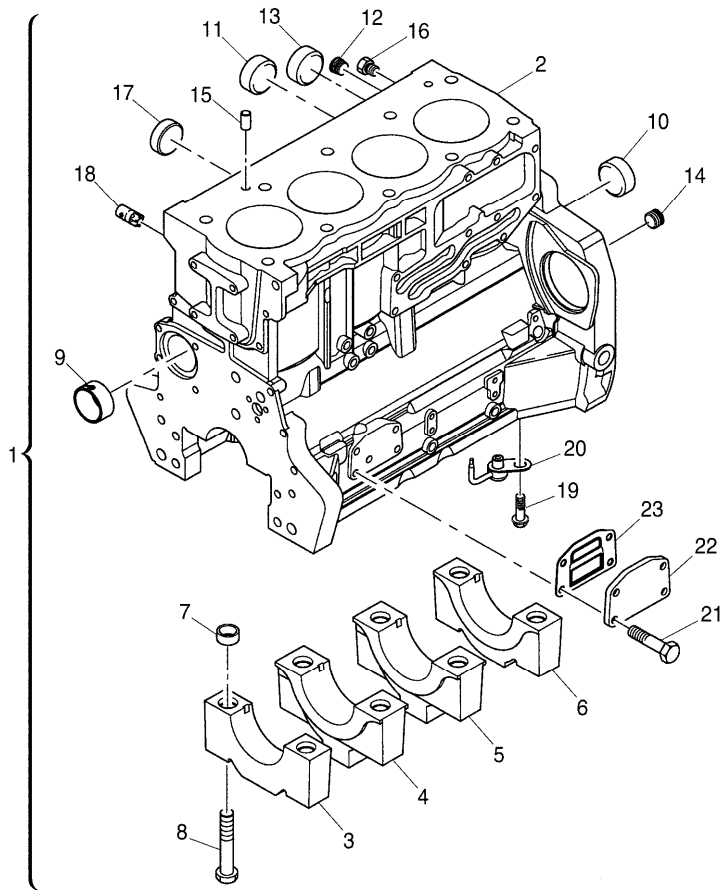
RT62\000020523.png

A-05  
02



A0502

Cylinder block



		Inglese	
1	ZZ50312	● ZZ50325(1)	1 Kit
		T-A 30:0	
2		! 1	1 Cylinder block
		➤ Ref.n.1	
3		! 1	1 Bearing
		➤ Ref.n.1	
4		! 1	2 Bearing
		➤ Ref.n.1	
5		! 1	1 Bearing
		➤ Ref.n.1	
6		! 1	1 Bearing
		➤ Ref.n.1	
7	33142111	! 1	10 Manicott
8	32166329	! 1	10 Screw
9	3112D071	! 1	1 Bush
		● 3112D075(1)	
10	3241A012	! 1	1 Plug
11	3241A011	! 1	2 Plug
12	0650588	! 1	1 Plug
13	0650710	! 1	1 Plug
14	3212P008	! 1	1 Plug
15	3244A009	! 1	2 Dowel
16	32141316	! 1	2 Plug
17	2485A108	! 1	1 Plug
18	3212V006	! 1	1 Plug

Engine

Bmax (2007- ) - RT62 - 105

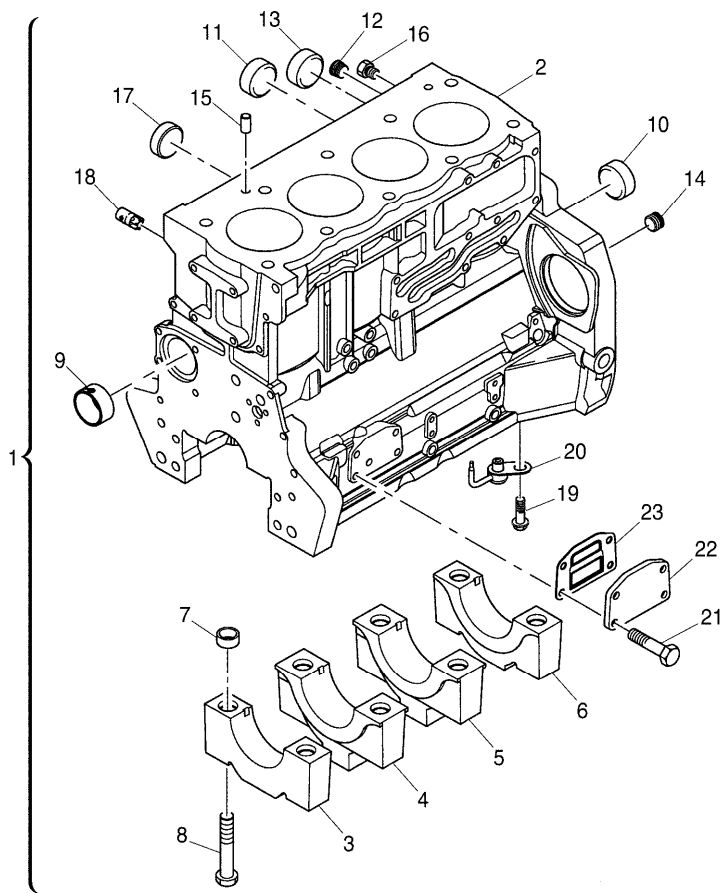
RT62\000020523.png

A-05  
02



A0502

Cylinder block



19	2314F001	!	1
20	2113A003	!	1
21	2314H033	!	1
22	3623A009	!	1
		T-A	0:25
23	3688A039	!	1
		T-A	0:25

Inglese

4	Screw
4	Atomiser
4	Screw
1	Plate
1	Gasket

- ! This is a component of an assembly
- ▣ Not serviced, order
- Replacement
- T-A Replacement

Engine

Bmax (2007- ) - RT62 - 105

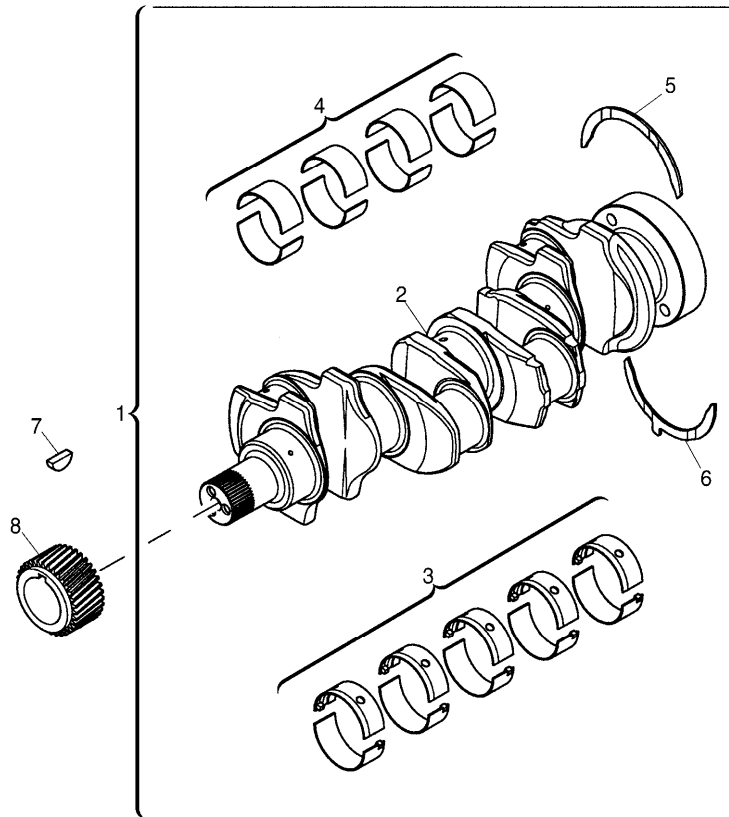
RT62\000020524.png

**A-05  
03**



A0503

Crankshaft



		Inglese	
1	ZZ90222	➔ U491476 t ● ZZ90239(1) T-A 15:0	1 Kit
1	ZZ90237	➔ U491477 t	1 Shaft
2		! 1	1 Shaft
3	U5MB0018	➔ Ref.n.1 ! 1	1 Kit
3	U5MB0018A	➔ U491476 t ● U5MB0033(1) T-A 15:0 ! 1	1 Kit
3	U5MB0018B	⚡ 0.010" ➔ U491476 t ● U5MB0033A(1) T-A 15:0 ! 1	1 Kit
3	U5MB0018C	⚡ 0.020" ➔ U491476 t ● U5MB0033B(1) T-A 15:0 ! 1	1 Kit
3	U5MB0018C	⚡ 0.030" ➔ U491476 t ● N.L.A.(1) T-A 15:0	1 Kit

Engine

Bmax (2007- ) - RT62 - 105

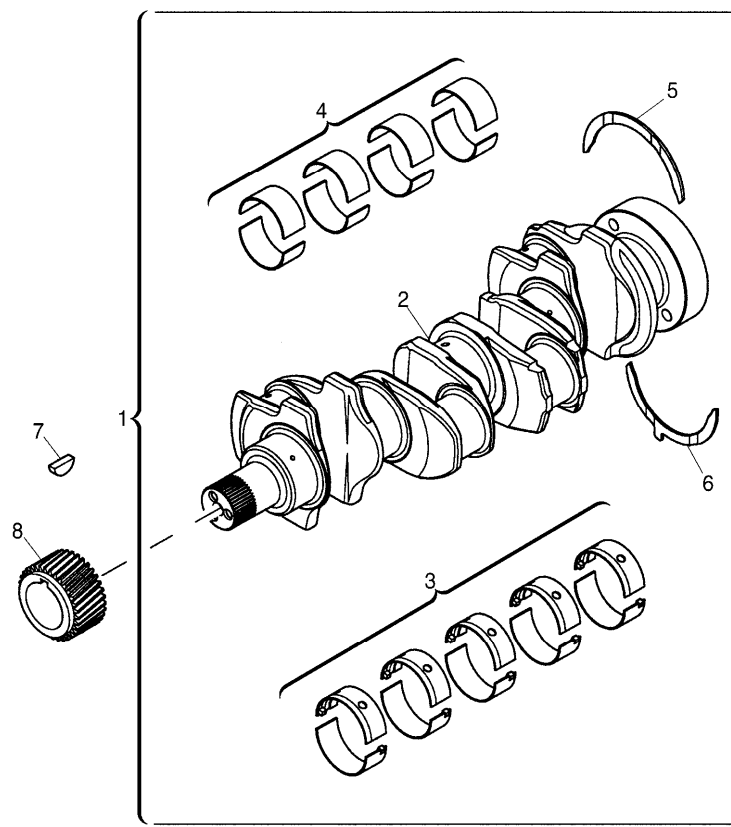
RT62\000020524.png

**A-05  
03**



A0503

Crankshaft



Inglese

3	U5MB0033	!	1	1 Kit
		➔	U491477 t	
3	U5MB0033A	!	1	1 Kit
		⊗	-0,25mm	
		➔	U491477 t	
3	U5MB0033B	!	1	1 Kit
		⊗	-0,50mm	
		➔	U491477 t	
3	U5MB0033C	!	1	1 Kit
		⊗	-0,75mm	
		➔	U491477 t	
		●	N.L.A.(1)	
4	T400002	!	1	1 Kit
		➔	U491477 t	
		●	T410927(1)	
4	U5ME0026	!	1	1 Kit
		➔	U491476 t	
		●	U5ME0034(1)	
4	U5ME0026A	!	1	1 Kit
		⊗	+0,25mm	
		➔	U491476 t	
		●	U5ME0034A(1)	
4	U5ME0026B	!	1	1 Kit
		⊗	+0,50mm	
		➔	U491476 t	
		●	U5ME0034B(1)	

Engine

Bmax (2007- ) - RT62 - 105

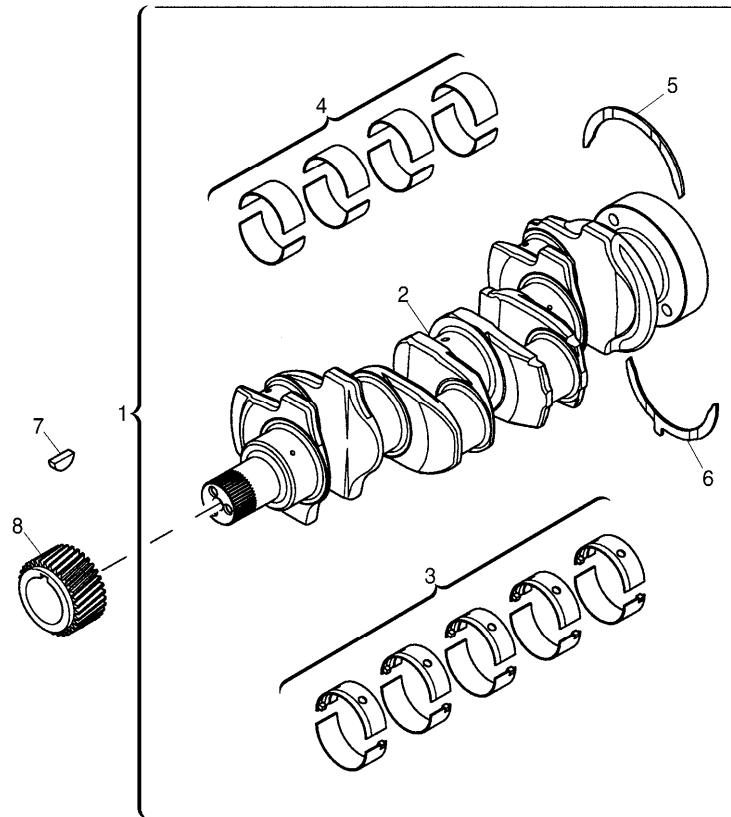
RT62\000020524.png

A-05  
03



A0503

Crankshaft



				Inglese
4	U5ME0026C	!	1	1 Kit
		▲	+0,75mm	
		➔	U491476 t	
		●	U5ME0034C(1)	
5	31137312	!	1	2 Ring
		▲	0.007"	
		T-A	15:0	
5	31137551	!	1	2 Washer
		T-A	15:0	
6	31137322	!	1	2 Ring
		▲	0.007"	
		T-A	15:0	
6	31137561	!	1	2 Washer
		T-A	15:0	
7	0500012	T-A	10:0	1 Key
8	3117C221	T-A	10:0	1 Gear
	!	This is a component of an assembly		
	➔	From serial or engine number		
	➔	Up to serial or engine number		
	➔	Not serviced, order		
	▲	Shim		
	●	Replacement		
	T-A	Replacement		

Engine

Bmax (2007- ) - RT62 - 105

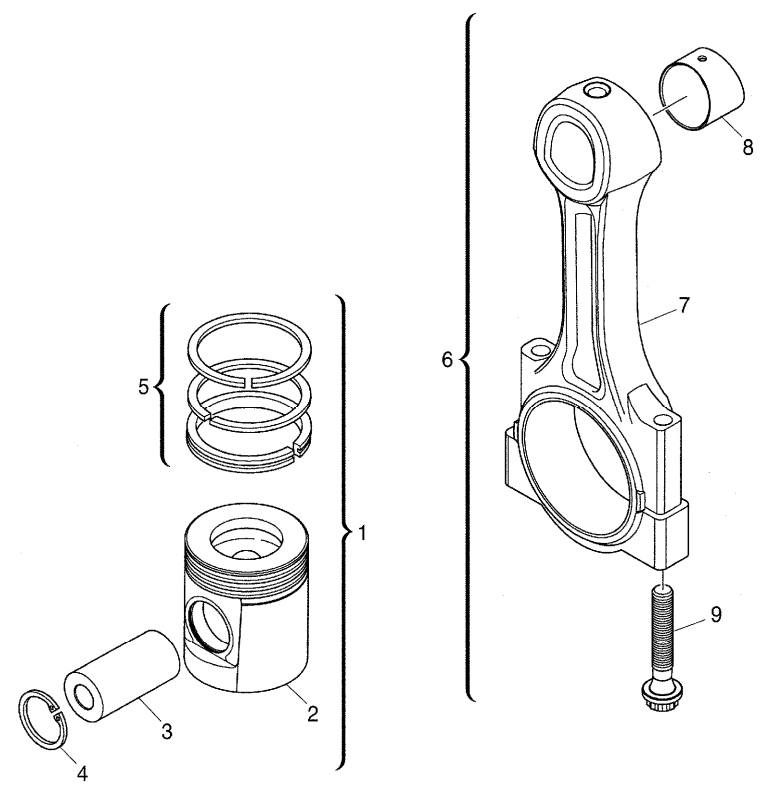
RT62\000020562.png

**A-05  
04**



A0504

Pistons and connecting rods



		Inglese
1	4115P015 G	4 Kit
	T-A 14:0	
1	4115P016  +0,5 mm	4 Kit
1	4115P017  +1,0 mm	4 Kit
2	! 1	1 Piston
	Ref.n.1	
3	! 1	1 Piston
	Ref.n.1	
4	2721332 ! 1	2 Ring
5	UPRK0002 ! 1	1 Kit
	(X) 1.2.5.	
	T-A 11:25	
6	4115C311  U491476 t	4 Kit
	A	
	T-A 14:0	
6	4115C312  U491476 t	4 Kit
	B	
	T-A 14:0	
6	4115C313  U491476 t	4 Kit
	C	
	T-A 14:0	
6	4115C314  U491476 t	4 Kit
	D	
	T-A 14:0	



Engine

Bmax (2007- ) - RT62 - 105

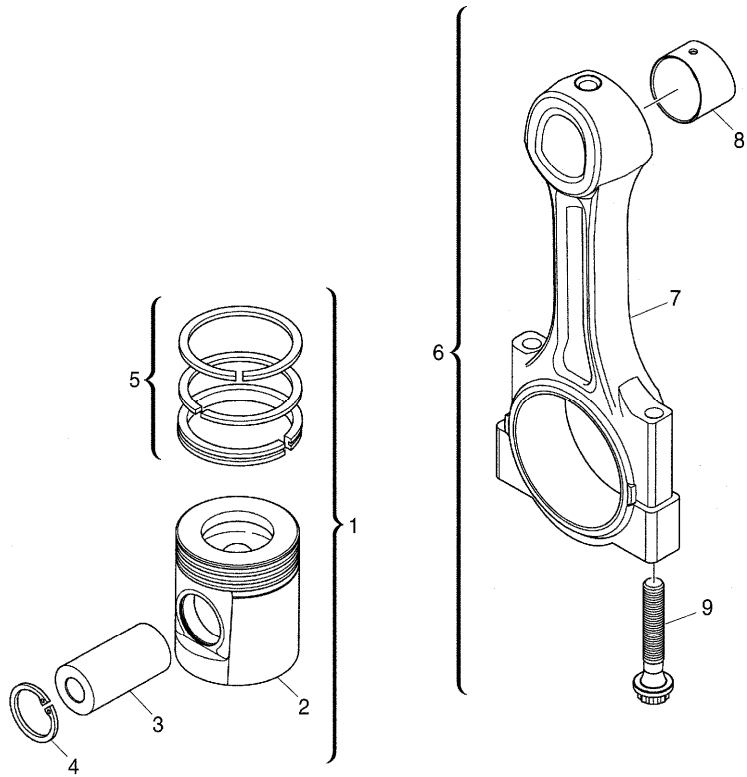
RT62\000020562.png

**A-05  
04**



A0504

Pistons and connecting rods



		Inglese	
6	4115C315	➡ U491476 t	4 Kit
		E	
		T-A 14:0	
6	4115C316	➡ U491476 t	4 Kit
		F	
		T-A 14:0	
6	4115C361	➡ U491477 t	4 Conrod
		A	
6	4115C362	➡ U491477 t	4 Conrod
		B	
6	4115C363	➡ U491477 t	4 Conrod
		C	
6	4115C364	➡ U491477 t	4 Conrod
		D	
6	4115C365	➡ U491477 t	4 Conrod
		E	
6	4115C366	➡ U491477 t	4 Conrod
		F	
7		! 6	1 Conrod
		➡ Ref.n.6	
8	3112A005	! 6	1 Bush
		T-A 14:0	
9	3212V003	! 6	2 Screw
		➡ U491476 t	
9	T400001	! 6	2 Screw
		➡ U491477 t	

Engine

Bmax (2007- ) - RT62 - 105

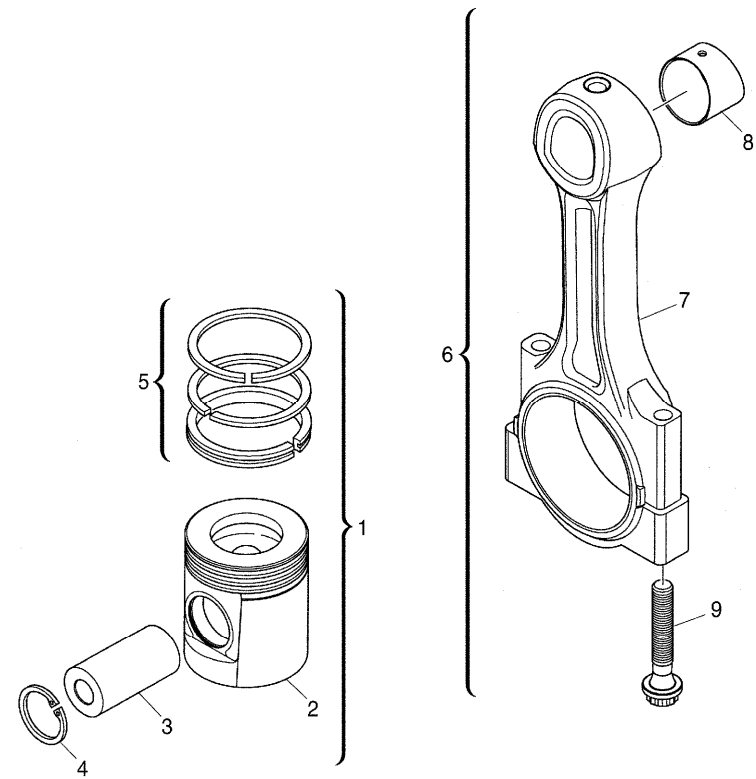
RT62\000020562.png

A-05  
04



A0504

Pistons and connecting rods



- ! This is a component of an assembly
- ➔ From serial or engine number
- ➡ Up to serial or engine number
- 🚫 Not serviced, order
- ⏏ Shim
- (X) Qty per tractors sold (aa.bbb.ccc.ddd) (aa) for 1,(bbb) 2-10 (ccc) 11-25 (ddd) 26-50
- T-A Replacement
- A Red
- B Orange
- C White
- D Green
- E Purple
- F Blue
- G Std

Engine

Bmax (2007- ) - RT62 - 105

RT62\000020526.png

A-05  
05



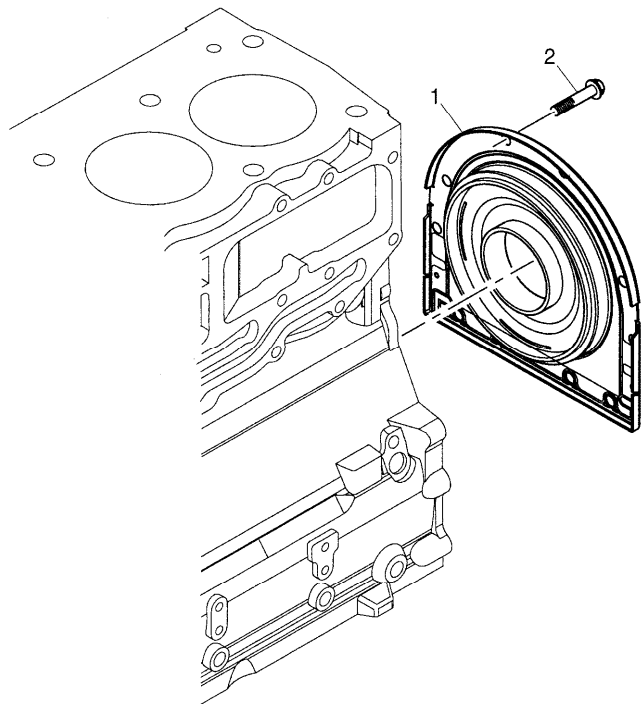
A0505

End cover

Inglese

- 1 2418F704 T-A 9:0
  - 2 3211C002
- T-A Replacement

- 1 Housing
- 10 Screw



Engine

Bmax (2007- ) - RT62 - 105

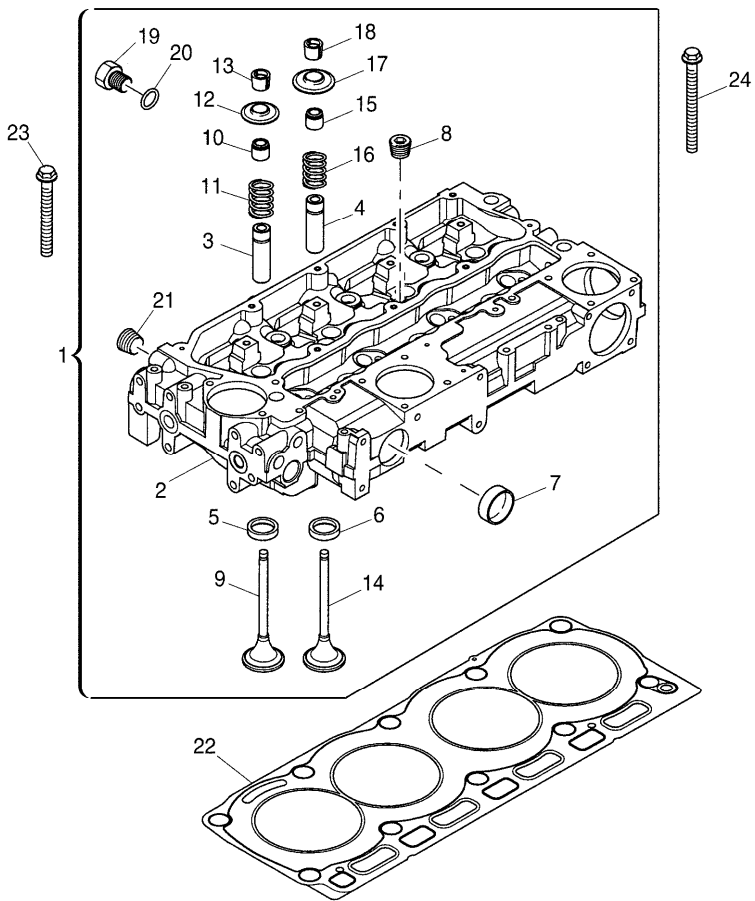
RT62\000020527.png

A-05  
06



A0506

Cylinder head



		Inglese	
1	ZZ80268	T-A 4:0	1 Kit
		T-B 7:50	
2		!	1 Body
		➡ Ref.n.1	
3	3313A012	!	4 Insert
		T-A 7:50	
4	3313A012	!	4 Insert
		T-A 7:50	
5	3314A241	!	4 Insert
		T-A 7:50	
6	3314A231	!	4 Insert
		T-A 7:50	
7	32416117	!	2 Plug
8	0650588	!	4 Plug
9	3142H071	!	4 Valve
		T-A 7:50	
10	2418M519	!	4 Ring
		A	
11	3174A016	!	4 Spring
		T-A 3:0	
12	3342A011	!	4 Cover
		T-A 3:0	
13	3142W004	!	8 Cotter
		T-A 3:0	
14	3142A151	!	4 Valve
		T-A 7:50	

Engine

Bmax (2007- ) - RT62 - 105

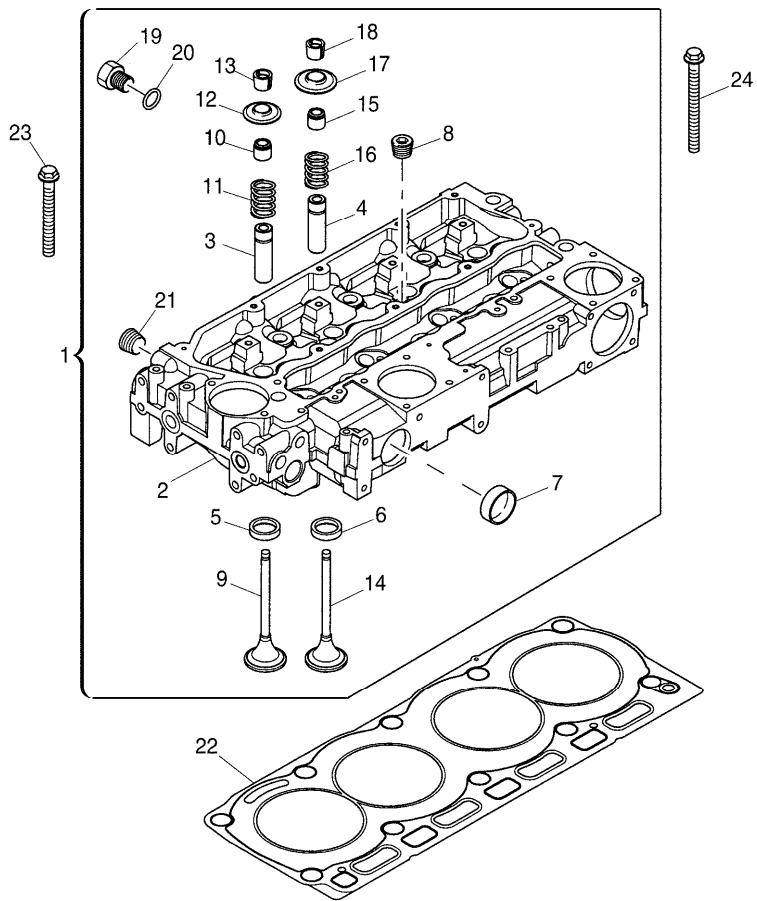
RT62\000020527.png

**A-05  
06**



A0506

Cylinder head



			Inglese
15	2418M517	! 1	4 Ring
		B	
16	3174A016	! 1	4 Spring
		T-A 3:0	
17	3342A011	! 1	4 Cover
		T-A 3:0	
18	3142W004	! 1	8 Cotter
		T-A 3:0	
19	3278A006	! 1	1 Plug
20	2415H003	! 1	1 Ring
21	2431154	! 1	1 Plug
22	3681E051	(X) 1.2.5.	1 Gasket
23	3218A011		7 Screw
24	3218A012		3 Screw
!	This is a component of an assembly		
🔧	Not serviced, order		
(X)	Qty per tractors sold (aa.bbb.ccc.ddd) (aa) for 1,(bbb) 2-10 (ccc) 11-25 (ddd) 26-50		
T-A	Replacement		
T-B	Overhaul		
A	Green		
B	Brown		

Engine

Bmax (2007- ) - RT62 - 105

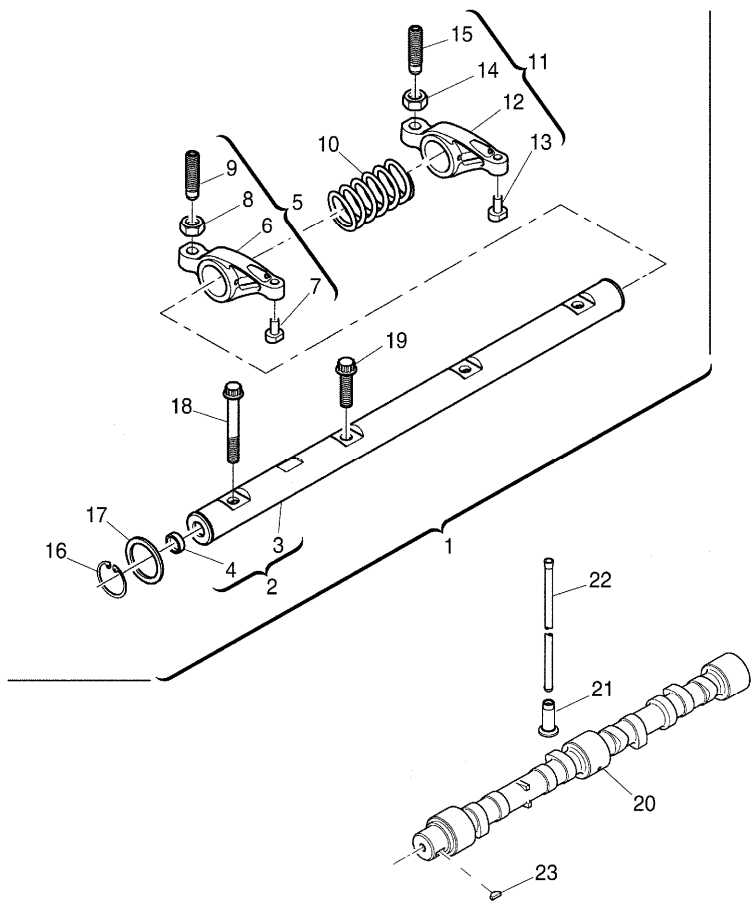
RT62\000020563.png

A-05  
07



A0507

Rocker shaft



				Inglese
1	4115R612	T-A 4:0		1 Rocker
2	4115R703	! 1		1 Shaft
		T-A 4:0		
3		! 2		1 Axle
		➡ Ref.n.2		
4	2485A104	! 2		2 Plug
5	4115R314	! 1		4 Rocker
		T-A 4:0		
6		! 5		1 Rocker
		➡ Ref.n.5		
7		! 5		1 Pad
		➡ Ref.n.5		
8	0576052	! 5		1 Nut
9	32114145	! 5		1 Screw
10	3174A015	! 1		3 Spring
		T-A 4:0		
11	4115R315	! 1		4 Rocker
		T-A 4:0		
12		! 11		1 Rocker
		➡ Ref.n.11		
13		! 11		1 Pad
		➡ Ref.n.11		
14	0576052	! 11		1 Nut
15	32114145	! 11		1 Screw
		T-A 1:25		
16	2722A022	! 1		2 Ring

**Buy Now**



Our support email:

[ebooklibonline@outlook.com](mailto:ebooklibonline@outlook.com)