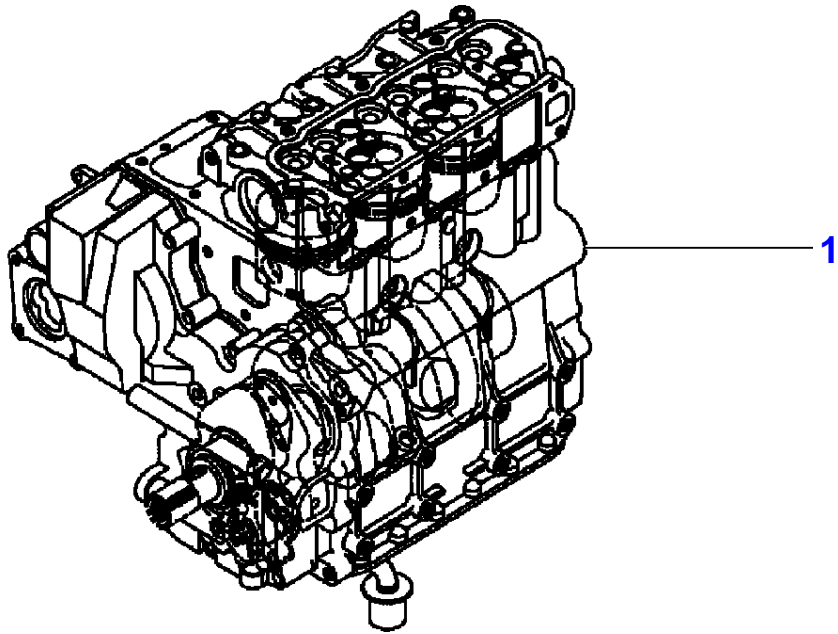


Page Title	Page Number
Engine	010-0005
Alternator & Starter	010-0010
Alternator	010-0015
Starter	010-0020
Engine Electrics	010-0025
Engine - Cylinder Head	010-0030
Engine - Cylinder Head Cover	010-0035
Engine - Intake Manifold	010-0040
Engine - Exhaust Manifold	010-0045
Engine - Cylinder Block	010-0050
Engine - Cylinder Block - Optional	010-0055
Engine - Cylinder Block - Rear Plate	010-0060
Engine - Oil Sump	010-0065
Engine - Timing Gear Housing	010-0070
Engine - Hanger	010-0075
Engine - Rocker Arm	010-0080
Engine - Camshaft	010-0085
Engine - Piston	010-0090
Engine - Crankshaft	010-0095
Engine - Oil Pump	010-0100
Engine - Water Pump	010-0105
Engine - Fan	010-0110
Engine - Injection System	010-0115
Engine - Injection System	010-0120
Engine - Injection Pump	010-0125
Engine - Injection Pump	010-0130
Engine - Injection Pump	010-0135
Engine - Repair Kit	010-0140

I-IS90-003-A



Massey Ferguson

MF GC2300 COMPACT TRACTOR - 3906015

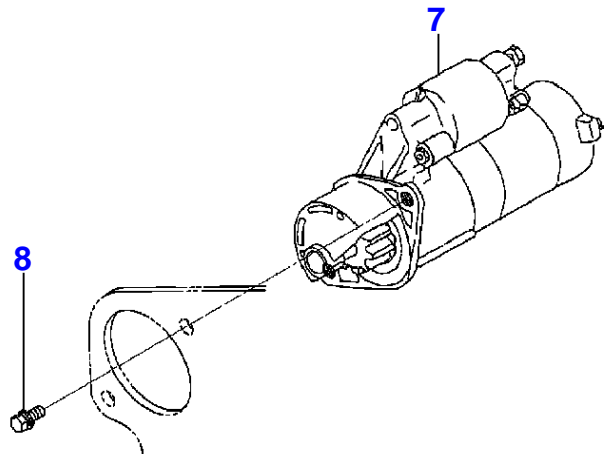
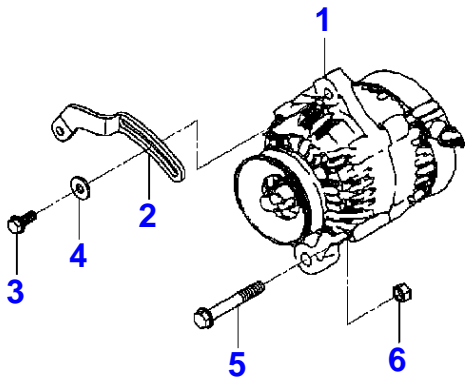
3906015

Engine

Page010-0005

Item	Part Number	Qty	Description
1	6240905M91	1	Short Engine

3-IS23-010-A



Alternator & Starter

Item	Part Number	Qty	Description	Comments
1	3710471M91	1	Alternator	See Page - Reference Number 010-0015/1
2	3710302M3	1	Plate	
3	4267567M1	1	Carriage Bolt	
4	3706686M1	1	Washer	Diameter 9-22 X 2
5	4268575M1	1	Bolt	
6	3704362M1	1	Nut	Up to Serial or Engine Number 269464
	3704918M1	1	Nut	From Serial or Engine Number 269465
7	3608543M91	1	Startermotor	See Page - Reference Number 010-0020/1
8	3704342M1	2	Hex Cap Screw	

Thank you so much for reading.  
Please click the “Buy Now!”  
button below to download the  
complete manual.



After you pay.

You can download the most  
perfect and complete manual in  
the world immediately.

Our support email:

[ebooklibonline@outlook.com](mailto:ebooklibonline@outlook.com)