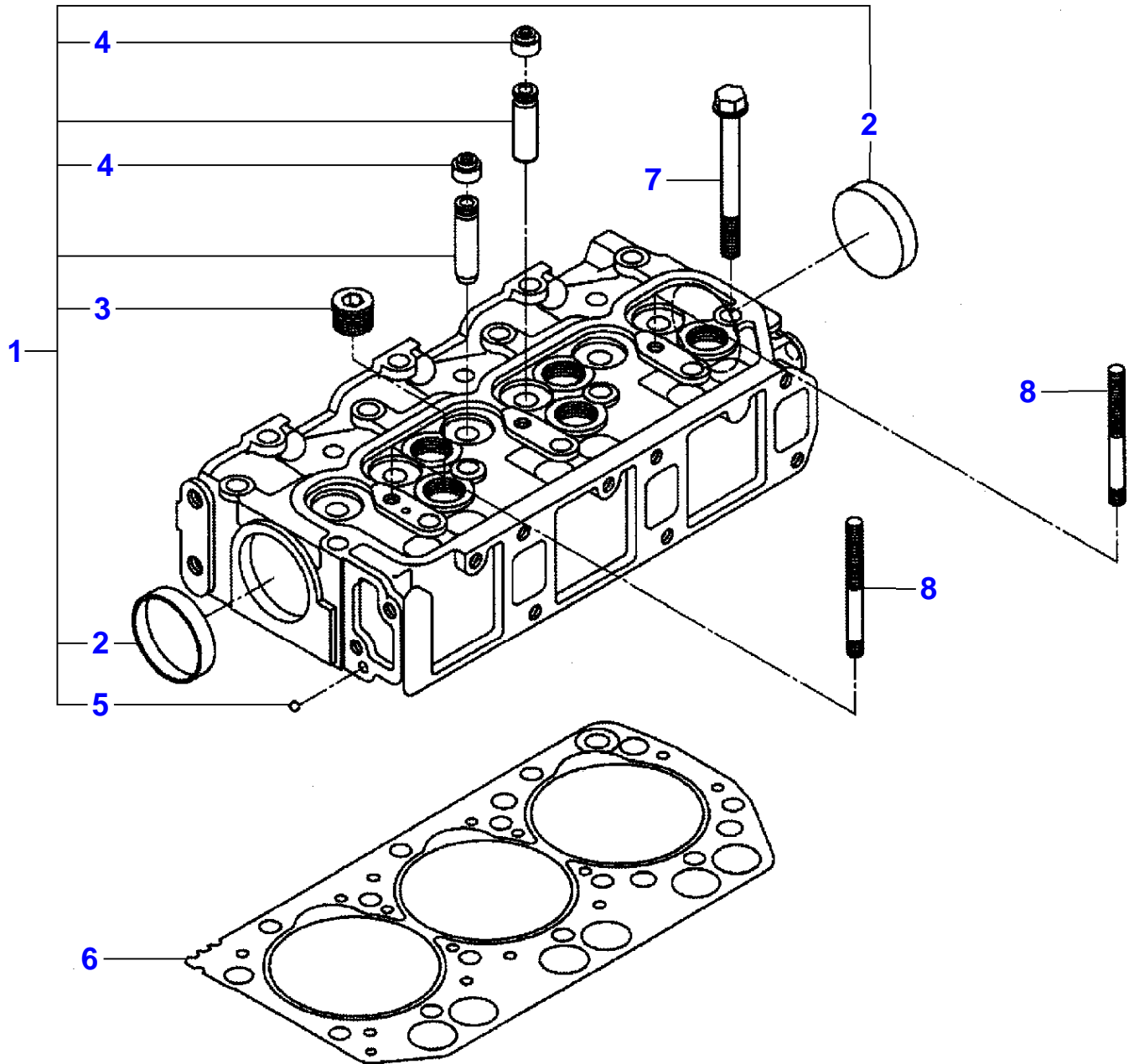


Page Title	Page Number
Cylinder Head	010-0005
Cylinder Head Cover	010-0010
Inlet Manifold	010-0015
Exhaust Manifold	010-0020
Cylinder Block	010-0025
Connecting Rod Bearings - Optional	010-0030
Crankcase	010-0035
Cylinder Block - Rear Plate	010-0040
Timing Gear Housing	010-0045
Hanger	010-0050
Rocker Shaft And Valves	010-0055
Camshaft	010-0060
Piston	010-0065
Piston - Optional	010-0070
Crankshaft	010-0075
Lubrication	010-0080
Water Pump	010-0085
Fan	010-0090
Injection	010-0095
Injection	010-0100
Injection Pump	010-0105
Injection Pump	010-0110
Fuel Pipes	010-0115
Kit, Engine Overhaul - Optional	010-0120

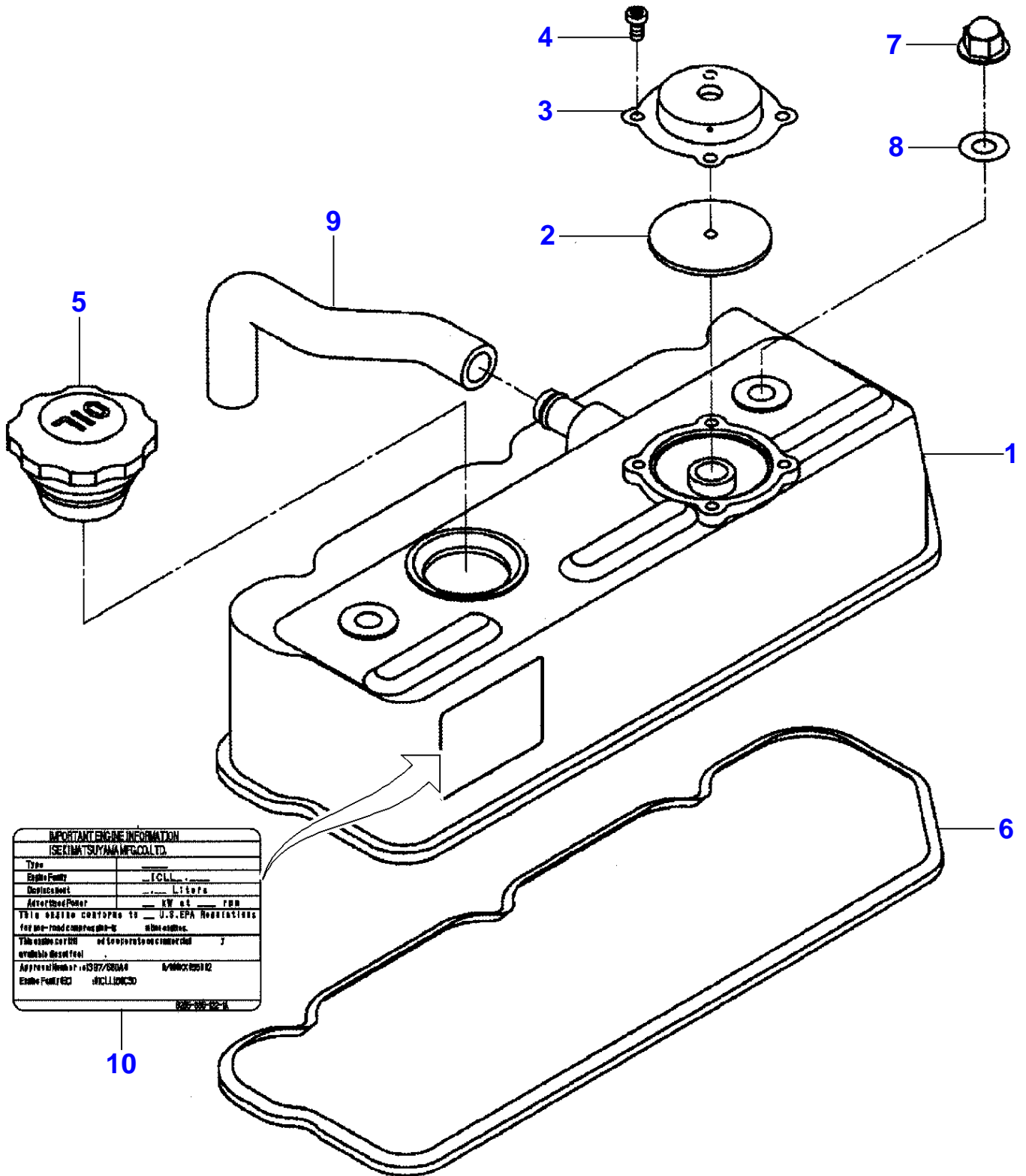
3-IS01-014-A



Cylinder Head

Item	Part Number	Qty	Description
1	4265865M94	1	Cylinder Head
2	3710542M1	2	Cup
3	3707877M2	5	Plug
4	3710256M1	6	Oil Seal
5	3711713M1	1	Ball
6	3606115M1	1	Gasket
7	3710536M1	14	Bolt
8	3607420M1	2	Stud

3-IS02-012-A



IMPORTANT ENGINE INFORMATION	
ISEKI/MATSUYAMA MFG. CO., LTD.	
Type	ICEL
Engine Family	L1070
Displacement	L1070
Rated Power	10.7 kW at 2000 RPM
This engine conforms to U.S. EPA Regulations for non-road commercial use.	
The engine is not for use in commercial or residential areas.	
Approval Number	161077/00004
Engine Family Code	10CL1070C0
DATE: 08/10/12	

Cylinder Head Cover

Item	Part Number	Qty	Description
1	3608540M92	1	Cover
2	3710554M1	1	Rubber
3	3710561M1	1	Cover
4	3710529M1	4	Screw
5	3710188M1	1	Cap
6	3710553M1	1	Seal
7	3710127M2	2	Nut
8	4267629M1	2	Gasket
9	3710539M1	1	Hose
10	4265576M1	1	Label

Thank you so much for reading.
Please click the “Buy Now!”
button below to download the
complete manual.



After you pay.

You can download the most
perfect and complete manual in
the world immediately.

Our support email:

ebooklibonline@outlook.com