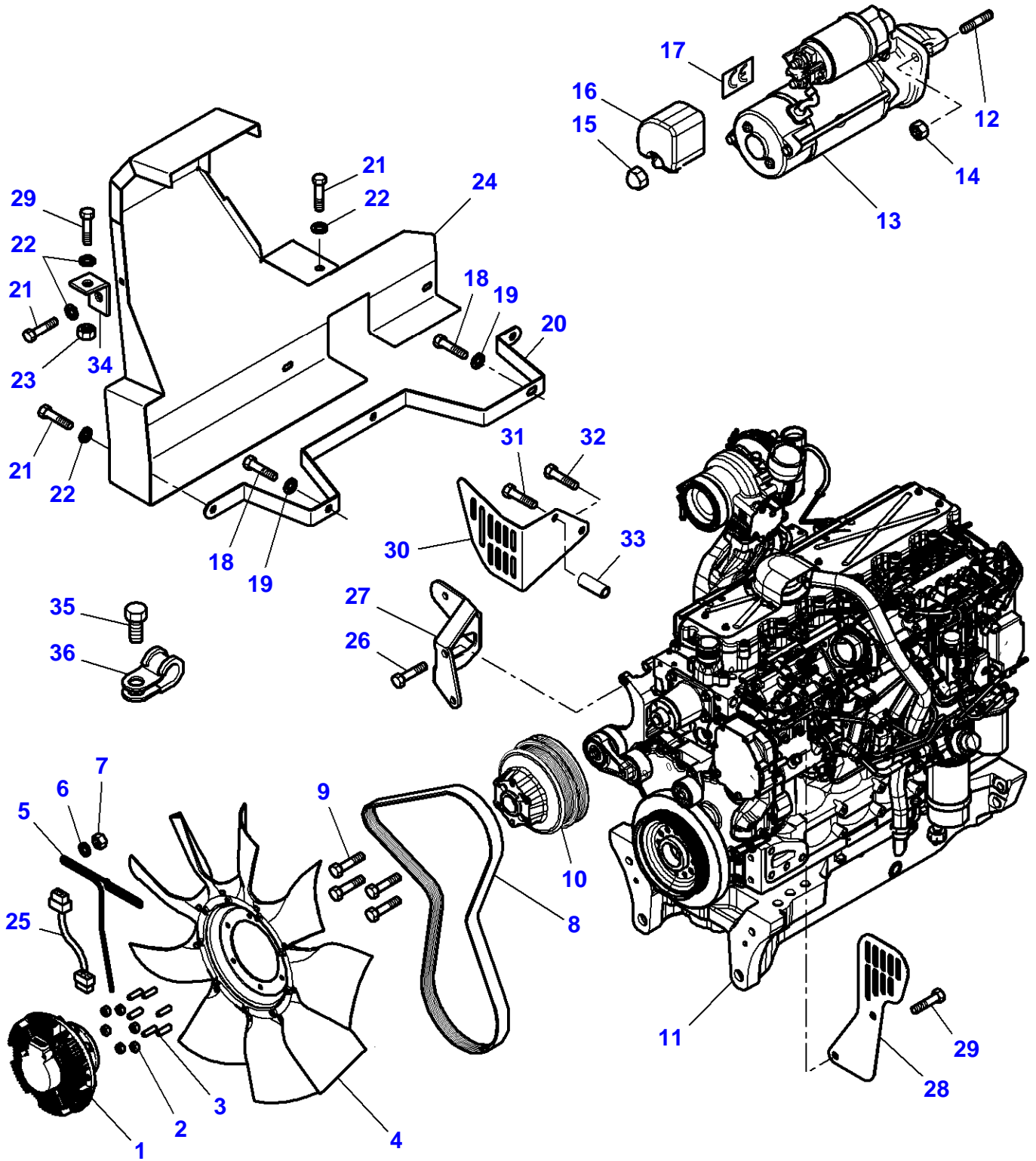


Page Title	Page Number
Engine & Equipment	010-0005
Alternator & Bracket	010-0010
Starter	010-0015
Fan Drive Section	010-0020
Cylinder Block	010-0025
Crankshaft, Piston & Connecting Rods	010-0030
Cylinder Head	010-0035
Heater/Starter Switch	010-0040
Rocker Arm	010-0045
Lubricating Oil Filler & Breather	010-0050
Timing Gear & Camshaft	010-0055
Oil Sump	010-0060
Oil Filter & Oil Cooler	010-0065
Water Pump	010-0070
Air Compressor	010-0075
Injection System	010-0080
Injection System	010-0085
Injection System	010-0090
Low Pressure Fuel System - Up to Serial or Engine Number - U014725S	010-0095
Low Pressure Fuel System - From Serial or Engine Number - U014726S	010-0100
Low Pressure Fuel System	010-0105
Air Induction & Exhaust	010-0110
Turbocharger - Pipes	010-0115
Wastegate	010-0120
Electronic Engine Management	010-0125
Electronic Engine Management	010-0130
Heater Engine Block - 110 V	010-0135
Heater Engine Block - 220 V	010-0140
Cab Heating System - Engine Part	010-0145
Fuel Tank & Attachments	010-0150
Fuel System - Up to Serial or Engine Number - U043085	010-0155
Fuel Tank & Attachments - North America Only	010-0160
Fuel System - From Serial or Engine Number - U043086	010-0165
Fuel Tank & Attachments - North America Only	010-0170
Fuel Pipes - United States Only	010-0175
Fuel Pipes - Water / Fuel Separator	010-0180
Batteries And Cables	010-0185
Batteries And Cables - Without Battery Cut-Off	010-0190
Batteries And Cables - Industrial Cab - With Battery Cut-Off	010-0195
Cooling System - Air Conditioned Installation	010-0200
Compressor	010-0205
Cooling System - Engine - Pivoting Chassis	010-0210
Cooling System - Engine - Pivoting Chassis	010-0215
Cooling System - Engine	010-0220
Cooling System - Engine	010-0225
Air Filter - Dry - Dual Element	010-0230
Air Filter - Dry - Dual Element	010-0235
Air Cooler	010-0240
Vertical Exhaust On The Side	010-0245
Throttle Controls	010-0250
Throttle Controls	010-0255

1-WA06-043-D



Item	Part Number	Qty	Description	Comments
1	4290578M1	1	Clutch	
2	1441932X1	6	Nut Metric	Up to Serial or Engine Number T052003 M10
	339402X1	6	Nut	From Serial or Engine Number T052004 M10 Zn
3	3011339X1	6	Stud	Up to Serial or Engine Number U313017 M10 X 22
	1442072X1	6	Stud	From Serial or Engine Number U313018 M10 X 20
4	4282823M1	1	Fan	
5	4276866M4	1	Support	
6	390971X1	2	Flat Washer	
7	339030X1	2	Nut	M6
8	4285560M3	1	Belt	
9	1442525X1	4	Hex Socket Screw	M8 X 45
10	4347267M1	1	Pulley	Replace and repair. Old not interchangeable with new 4290474M1
11	4226441M91	1	Short Engine	[E]
	4280560M1	1	Engine	PEL PJ38482
12	391005X1	2	Stud	M10 X 25
	391006X1	1	Stud	M10 X 30
13	3823621M94	1	Startermotor	[A]
14	339402X1	3	Nut	M10
15	3786092M1	1	Nut	M10
16	3786093M1	1	Protection.	
17	3788193M1	1	Label	
18	3009491X1	2	Hex Cap Screw	M10 X 20
19	390734X1	1	Flat Washer	
20	4290570M1	1	Support	
21	339124X1	4	Hex Cap Screw	M8 X 16
22	390972X1	5	Flat Washer	
23	339169X1	1	Nut	
24	4290569M2	1	Cowl	
25	4272811M4	1	Harness	
26	3009491X1	2	Hex Cap Screw	M10 X 20
27	4284077M5	1	Support	[C]
28	4287276M1	1	Cowl	
29	339124X1	3	Hex Cap Screw	M8 X 16
30	4287275M1	1	Cowl	
	4287799M1	1	Cowl	[D]
31	3009494X1	1	Hex Cap Screw	M10 X 35
32	339282X1	1	Hex Cap Screw	M10 X 16
33	3388803M1	1	Spacer	
34	4291044M1	1	Strap	
35		X	Not Used	
36		X	Not Used	

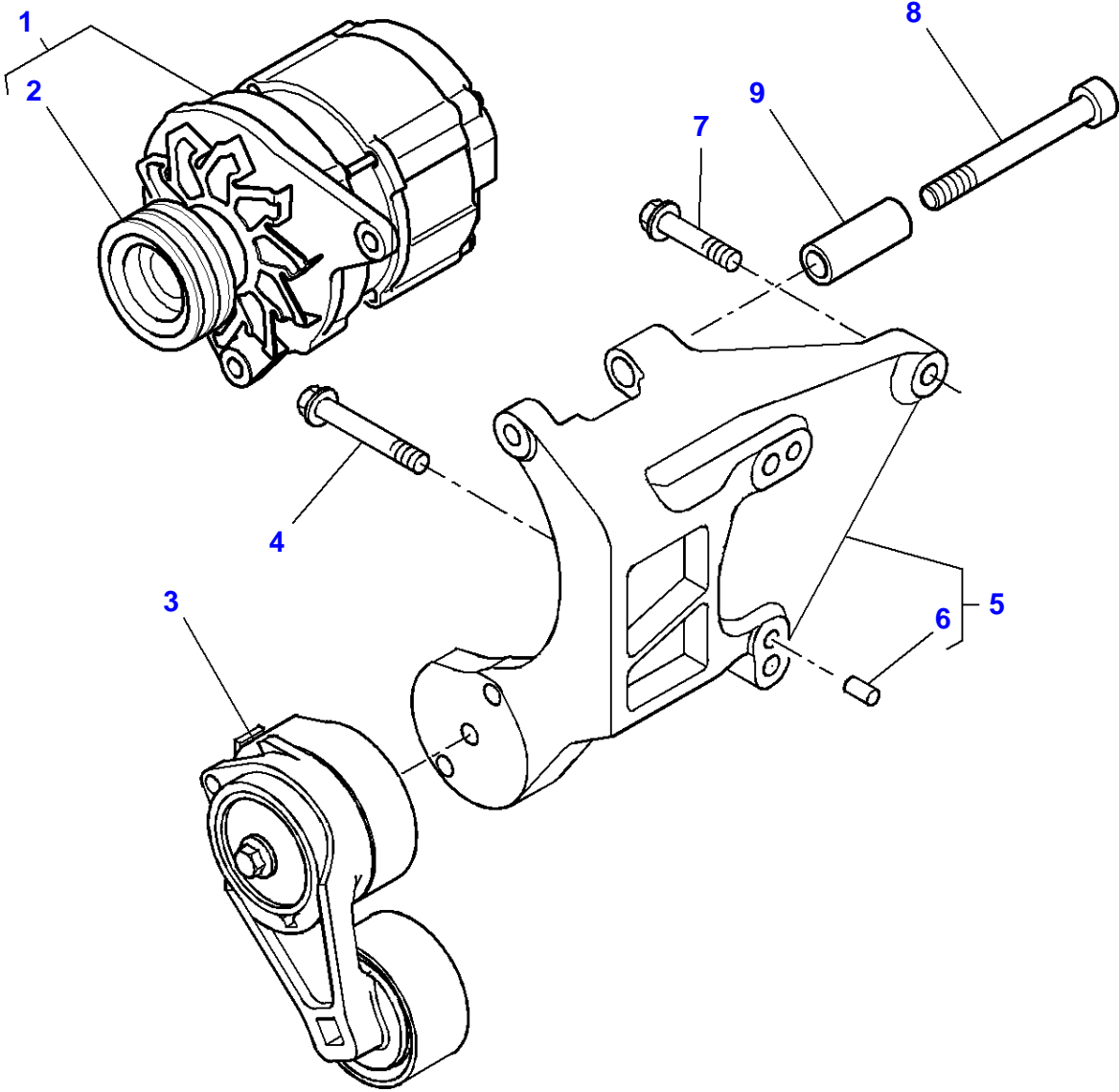
FOOTNOTE [A] THE APPROPRIATE SAFETY DECALS MUST BE ORDERED AND FITTED TO THIS PART

FOOTNOTE [C] ENGINE WITHOUT AIR COMPRESSOR

FOOTNOTE [D] WITH FRONT LINKAGE

FOOTNOTE [E] NOT ILLUSTRATED

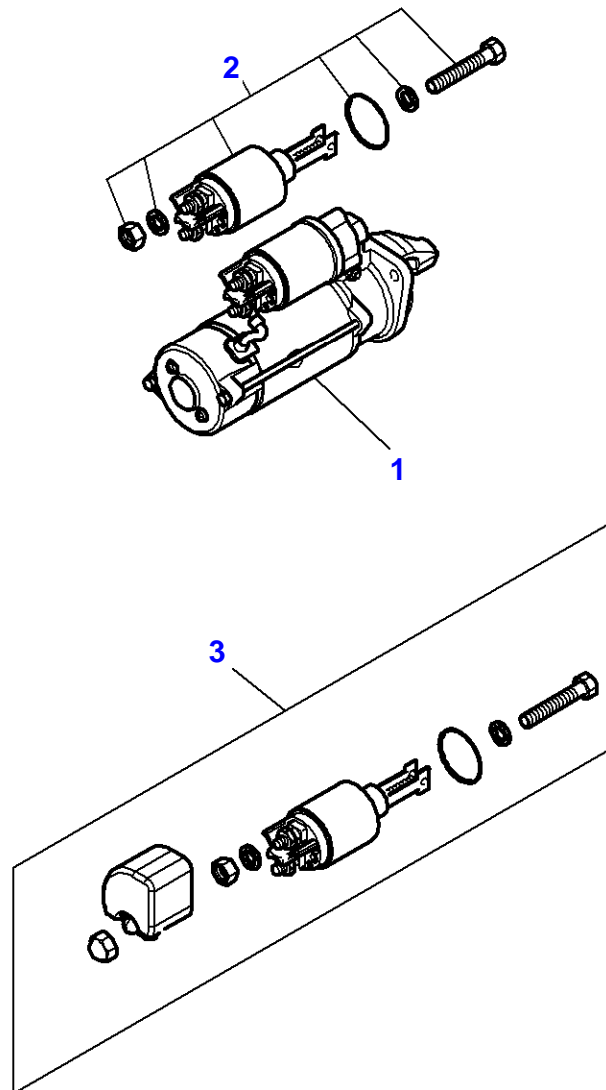
1-WA10-018-A



Alternator & Bracket

Item	Part Number	Qty	Description	Comments
1	4281879M93	1	Alternator	120 AMP
	4281880M93	1	Alternator	150 AMP
2	3907770M91	1	Pulley	(1)
	3907771M91	1	Pulley	(1)
3	4226287M91	1	Arm	
4	3637096M1	1	Carriage Bolt	
5	4226646M1	1	Bracket	
6	4222552M1	2	Dowel	(5)
7	3640340M1	2	Carriage Bolt	
8	3009504X1	2	Hex Cap Screw	Up to Serial or Engine Number T052003 M10 X 100 CI 8.8
	3009298X1	2	Hex Socket Screw	From Serial or Engine Number T052004 M10 X 100 CI10.9
9	4287207M1	2	Spacer	

1-WC51-004-A

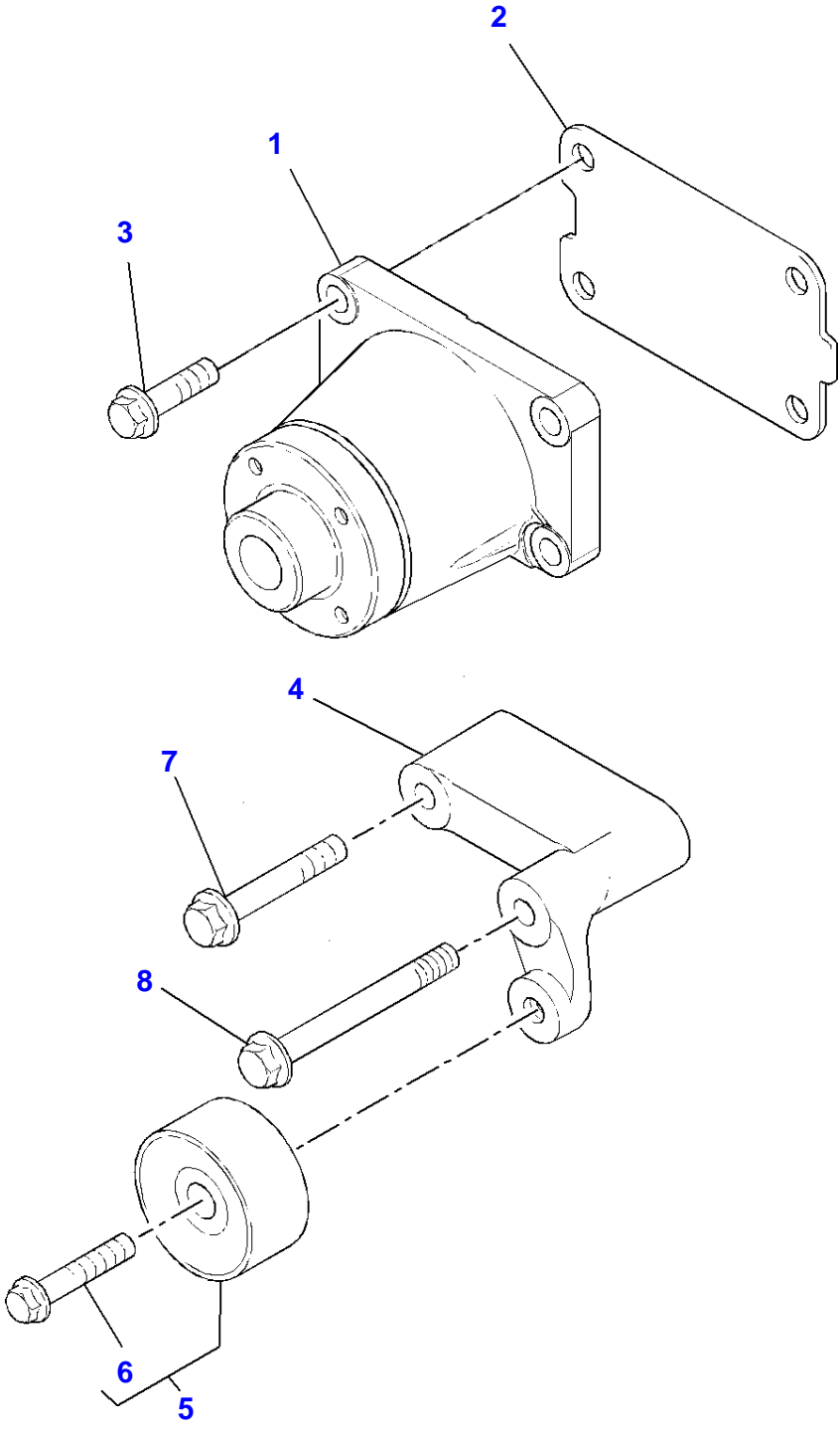


Starter

Item	Part Number	Qty	Description	Comments
1	3823621M94	1	Startermotor	[A]
2	3904366M91	1	Kit, Solenoid	Up to Serial or Engine Number T029032
3	3905503M92	1	Kit, Solenoid	From Serial or Engine Number T029033

FOOTNOTE [A] THE APPROPRIATE SAFETY DECALS MUST BE ORDERED AND FITTED TO THIS PART

1-WH17-004-A

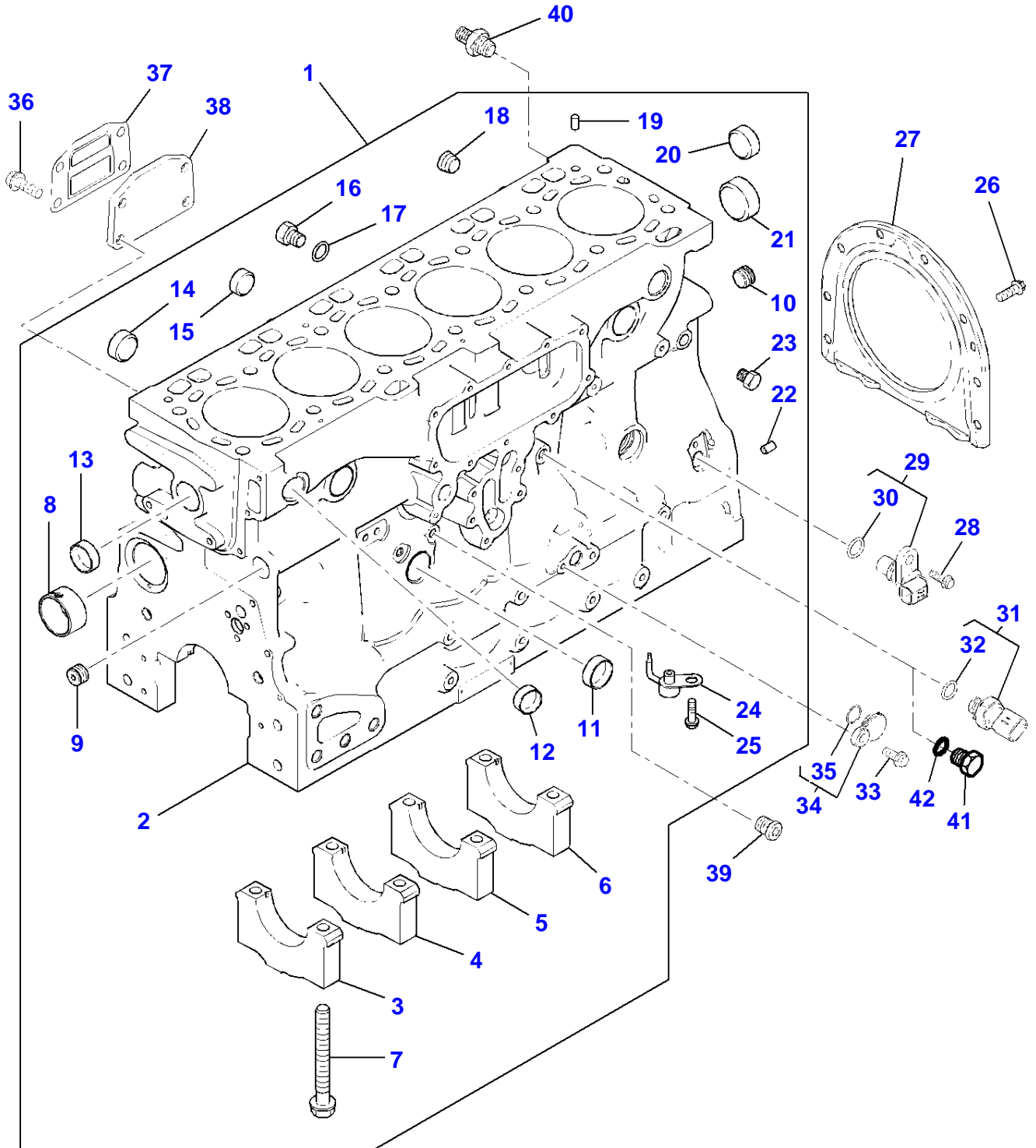


Fan Drive Section

Item	Part Number	Qty	Description	Comments
1	4226825M1	1	Housing	Repairs and replaces 4226405M1
2	4226635M1	1	Spacer	
3	3637734M1	4	Carriage Bolt	
4	4226399M1	1	Bracket	
5	4226288M1	1	Pulley	
6	4226250M1	1	Hex Cap Screw (5)	
7	3637076M1	1	Carriage Bolt	
8	3638441M1	1	Hex Cap Screw	

MF 7480 TRACTOR (TIER 3 / Perkins Engine) - 3906143
1-WH01-015-B

1-WH01-015-B

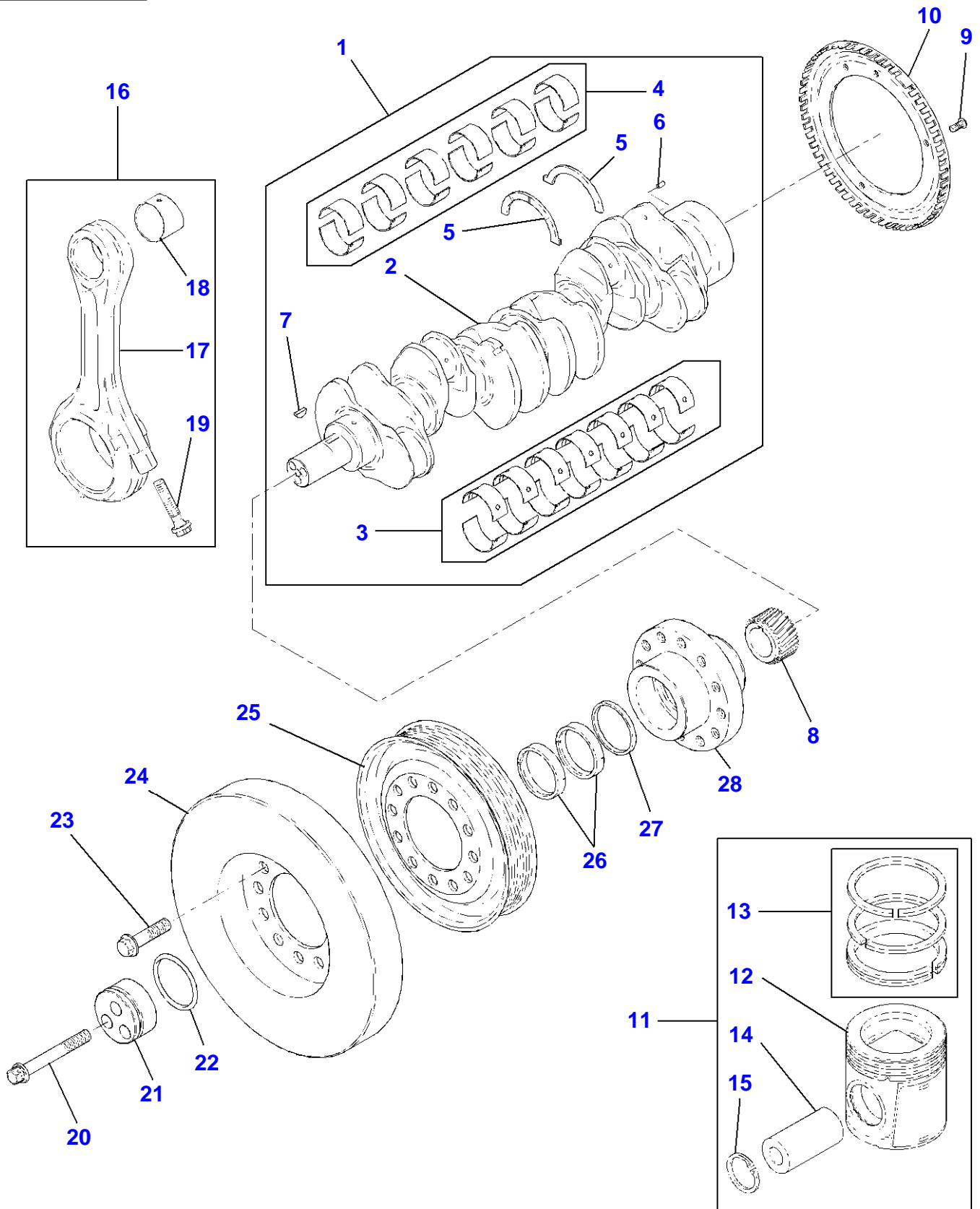


Cylinder Block

Item	Part Number	Qty	Description	Comments
1	4226630M91	1	Cylinder-Block	
2		1	Cylinder-Block	(1) Not serviced,order REF. 1
3		1	Bearing Cap	(1) Not serviced,order REF. 1
4		4	Bearing Cap	(1) Not serviced,order REF. 1
5		1	Bearing Cap	(1) Not serviced,order REF. 1
6		1	Bearing Cap	(1) Not serviced,order REF. 1
7	4226327M1	14	Hex Cap Screw	(1)
8	4226301M1	1	Bush	(1)
9	4224863M1	1	Plug	(1)
10	4224863M1	1	Plug	(1)
11	4226283M1	4	Plug	(1)
12	731354M1	2	Plug	(1)
13	4226283M1	1	Plug	(1)
14	4224873M1	2	Plug	(1)
15	731354M1	3	Plug	(1)
16	4224884M1	1	Plug	(1)
17	4226265M1	1	O Ring	(1)
18	376606X1	1	Plug	(1)
19	4224009M1	2	Dowel	(1)
20	4226283M1	1	Plug	(1)
21	4224874M1	1	Plug	(1)
22	737725M1	1	Dowel	(1)
23	4224866M1	1	Plug	(1)
24	4226139M1	6	Jet	(1)
25	3641648M1	6	Carriage Bolt	(1)
26	4224860M1	8	Carriage Bolt	
27	4226606M1	1	Housing	
28	3637044M1	1	Carriage Bolt	
29	4226444M91	1	Speed Sensor	
30	4226267M1	1	Seal	(29)
31	4226184M91	1	Sensor	[B]
32	4226211M1	1	O Ring	(31)
33	3637008M1	1	Carriage Bolt	
34	4226436M1	1	Plate	
35	4226254M1	1	O Ring	(34)
36	3637008M1	4	Carriage Bolt	
37	4224936M1	1	Blanking Plate	
38	4224973M1	1	Joint	
39	4226285M1	1	Plug	
40	744450M1	1	Adaptor	
41	4224882M1	1	Plug	
42	4224751M1	1	O Ring	

FOOTNOTE [B] OIL PRESS

1-WH02-015-A

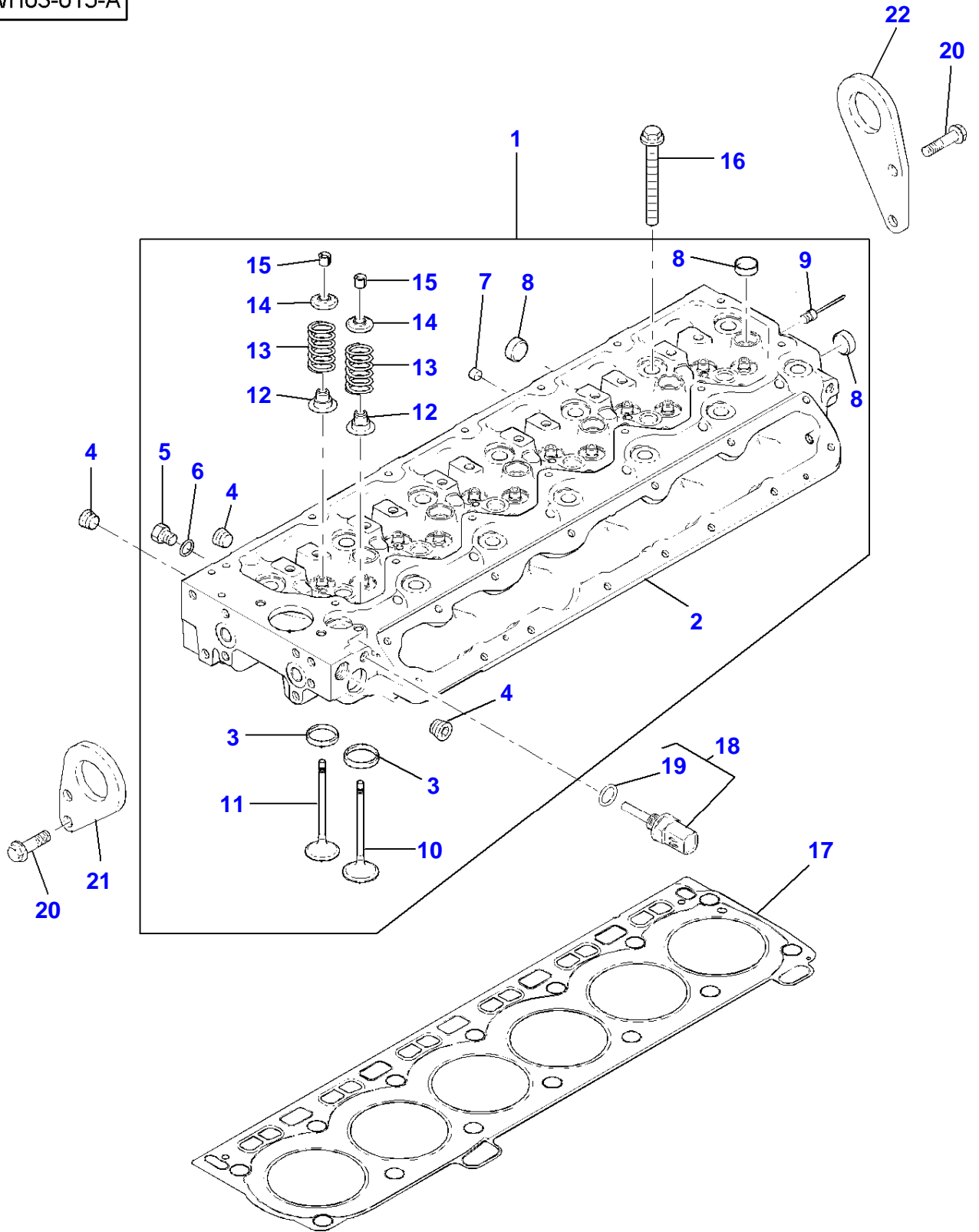


Crankshaft, Piston & Connecting Rods

Item	Part Number	Qty	Description	Comments
1	4226631M91	1	Kit, Crankshaft	
2		1	Crankshaft	(1) Not serviced,order REF. 1
3	4226442M91	1	Kit, Bearing	(1)
4	4226443M91	1	Kit, Bearing	(1)
5	4226302M1	2	Thrust Washer	(1)
6	4224890M1	1	Dowel	(1)
7	2196X	1	Woodruff Key	(1)
8	4226305M1	1	Gear	
9	4226253M1	1	Screw	
10	4226304M1	1	Timing Device	
11	4226453M91	1	Kit, Piston	
12		1	Piston	(11) Not serviced,order REF. 11
13	4226454M91	1	Kit, Piston Ring	(11)
14		1	Piston Pin	(11) Not serviced,order REF. 11
15	4222135M1	2	Circlip	(11)
16	4226406M91	6	Kit, Conrod	GRADE F
	4226407M91	6	Kit, Conrod	GRADE J
	4226407M91	6	Kit, Conrod	GRADE L
17		1	Piston Rod	Not serviced,order REF. 16
18	4226236M1	1	Bush	(16)
19	4224864M1	2	Carriage Bolt	(16)
20	4226328M1	3	Screw	
21	4226332M1	1	Block	
22	4226255M1	1	O Ring	
23	4226251M1	4	Hex Cap Screw	
24	4226343M1	1	Damper	
25	4226303M1	1	Pulley	
26	4226337M1	2	Ring	
27	4226341M1	1	Spacer	
28	4226390M1	1	Hub	

MF 7480 TRACTOR (TIER 3 / Perkins Engine) - 3906143
1-WH03-015-A

1-WH03-015-A



Buy Now



Our support email:

ebooklibonline@outlook.com