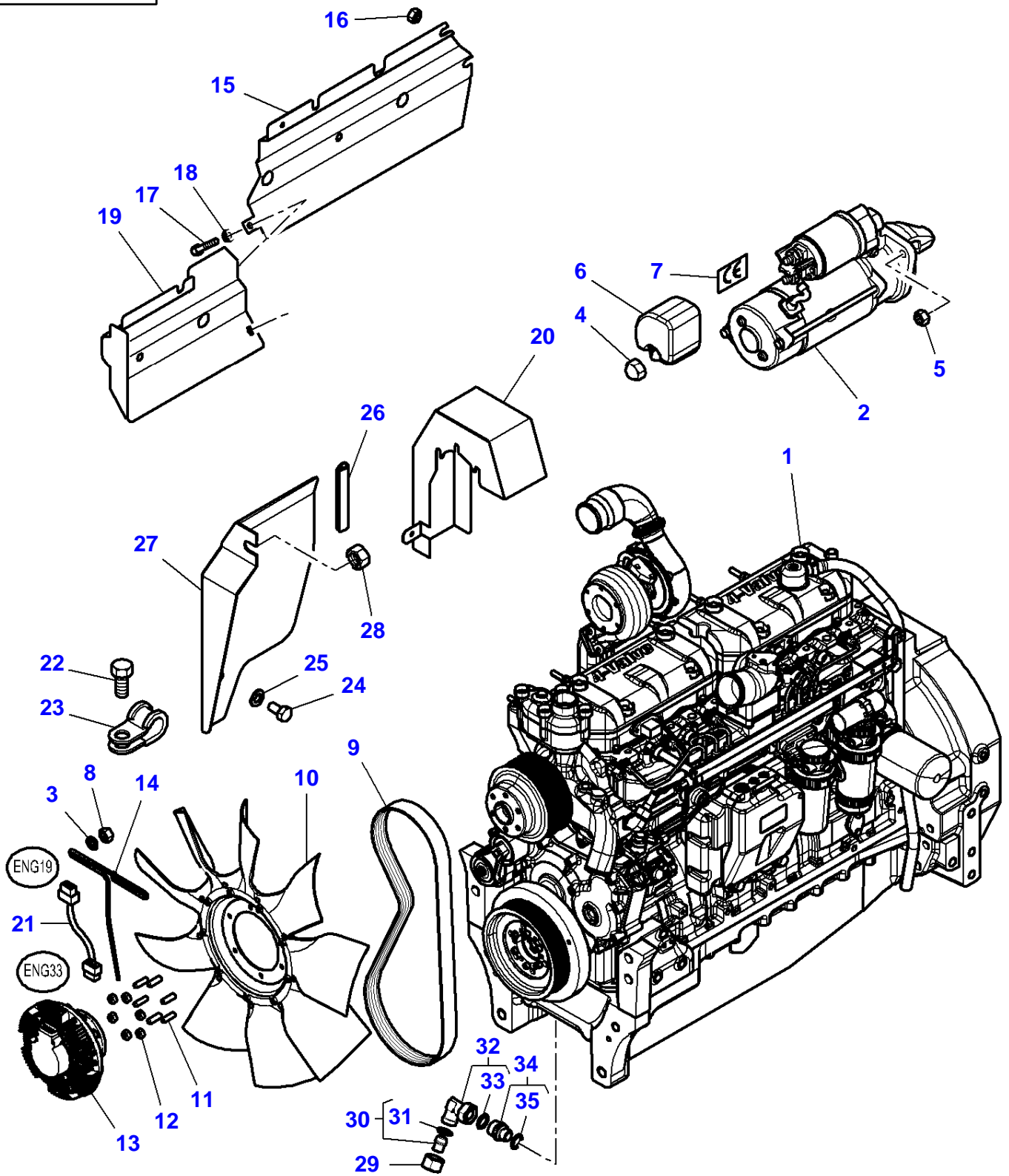


Page Title	Page Number
Engine & Equipment	010-0005
Alternator & Bracket	010-0010
Starter	010-0015
Cylinder-Block	010-0020
Timing Gear Housing	010-0025
Crankshaft, Pistons & Piston Rod	010-0030
Camshaft & Valve Mechanism	010-0035
Cylinder Head	010-0040
Cylinder Head Cover	010-0045
Cylinder Head Cover - Japan Only	010-0050
Oil Sump	010-0055
Oil Cooler & Filter	010-0060
Water Pump	010-0065
Injection System	010-0070
Air Compressor	010-0075
Low Pressure Fuel System	010-0080
Air Induction & Exhaust	010-0085
Turbocharger - Pipes	010-0090
Turbocharger - Pipes - Japan Only	010-0095
Electronic Engine Management	010-0100
Electronic Engine Management - Japan Only	010-0105
Engine Repair Kits - Piston- Cylinder Head With Valves	010-0110
Engine Gaskets Sets	010-0115
Heater Engine Block - 220 V	010-0120
Heater Engine Block - 110 V	010-0125
Cab Heating System - Engine Part	010-0130
Fuel Tank & Attachments	010-0135
Fuel Tank & Attachments - North America Only	010-0140
Fuel Tank & Attachments - North America Only	010-0145
Fuel System - Without Additional Tank	010-0150
Fuel Pipes	010-0155
Fuel System - Without Front Loader	010-0160
Fuel System	010-0165
Batteries And Cables - Without Battery Cut-Off	010-0170
Batteries And Cables - With Battery Cut-Off	010-0175
Batteries And Cables - Industrial Cab - Without Battery Cut-Off	010-0180
Batteries And Cables - Industrial Cab - With Battery Cut-Off	010-0185
Cooling System - Air Conditioned Installation	010-0190
Compressor	010-0195
Cooling System - Engine - Pivoting Chassis	010-0200
Cooling System - Engine - Pivoting Chassis	010-0205
Cooling System - Engine - Pivoting Chassis - WITHOUT AIR CONDITIONING	010-0210
Cooling System - Engine	010-0215
Cooling System - Engine	010-0220
Air Filter - Dry - Dual Element	010-0225
Air Filter - Dry - Dual Element	010-0230
Air Cooler	010-0235
Vertical Exhaust On The Side	010-0240
Throttle Controls	010-0245
Throttle Controls	010-0250

MF 7480 TRACTOR (TIER 3 Sisu Engine) - 3906313
1-WA06-063-C

1-WA06-063-C



Item	Part Number	Qty	Description	Comments
1	V834876593	1	Engine	66 CTA-4V
	V864876593X	1	Short Engine	[G]
	V834876627	1	Engine	[K]
				66 CTA-4V
	V864876593X	1	Short Engine	[G,K]
2	3823621M96	1	Startermotor	[A,B]
3	391038X1	2	Flat Washer	
4	3786092M1	1	Nut Metric	M10
5	339402X1	3	Nut Metric	M10
6	3786093M1	1	Protection.	
7	3788193M1	1	Label	Up to Serial or Engine Number D098076
8	339030X1	2	Nut Metric	M6
9	4282011M1	1	Belt	[C]
				Length 1830 MM
	4282010M1	1	Belt	Length 1445 MM
10	4282823M1	1	Fan	
11	1442072X1	6	Stud Bolt	M10 X 20
12	339402X1	6	Nut Metric	Up to Serial or Engine Number V279006
				M10
	3000121X1	6	Locknut	From Serial or Engine Number V279007
				M10
13	4282824M1	1	Clutch	
14	4276866M4	1	Support	
15	4292572M2	1	Exhaust Shield	
16	339402X1	6	Nut Metric	M10
17	339228X1	1	Hex Cap Screw	
18	390972X1	1	Flat Washer	
19	4292573M1	1	Cowl	
20	4284804M4	1	Cowl	
21	4272811M4	1	Harness	
22	339124X1	1	Hex Cap Screw	
23	3387756M1	1	Clip	
24	339124X1	2	Hex Cap Screw	M8 X 16
25	390972X1	2	Flat Washer	
26	3787366M1	1	Gasket	Length 450 MM
	3782183M1	1	Gasket	Length 530 MM
27	4286796M3	1	Fan Shield	[F]
	4287002M3	1	Fan Shield	[H]
	4286963M3	1	Fan Shield	[E]
28	3009695X1	1	Nut Metric	M12
29	3011119X1	1	Nut Metric	[D]
30	3011136X91	1	Shutter	[D]
31	3011147X1	1	O Ring	(30)
32	3011085X91	1	Union	[D]
33	3011147X1	1	O Ring	(32)
34	338717X91	1	Union	[D]
35	338764X1	1	Seal	(34)

FOOTNOTE [A] NOT DETAILED

FOOTNOTE [B] THE APPROPRIATE SAFETY DECALS MUST BE ORDERED AND FITTED TO THIS PART

FOOTNOTE [C] WITH AIR COMPRESSOR

FOOTNOTE [D] USE WHEN LOADER FITTED

FOOTNOTE [E] WITH FRONT LINKAGE & 2 HYDRAULIC COUPLING

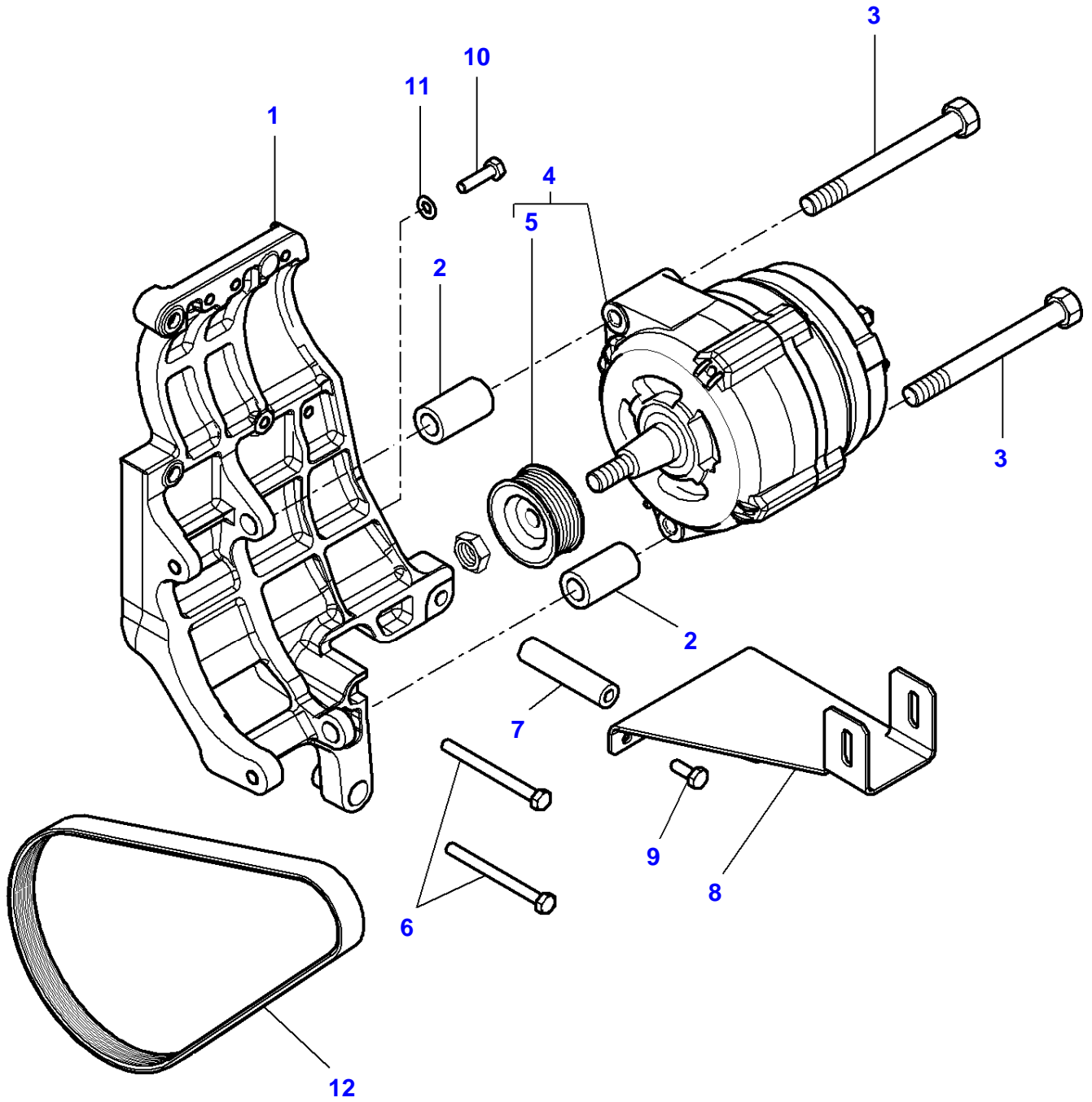
FOOTNOTE [F] WITH FRONT LINKAGE & 4 HYDRAULIC COUPLING

FOOTNOTE [G] NOT ILLUSTRATED

FOOTNOTE [H] WITHOUT FRONT LINKAGE

FOOTNOTE [K] JAPAN ONLY

1-WA10-029-A

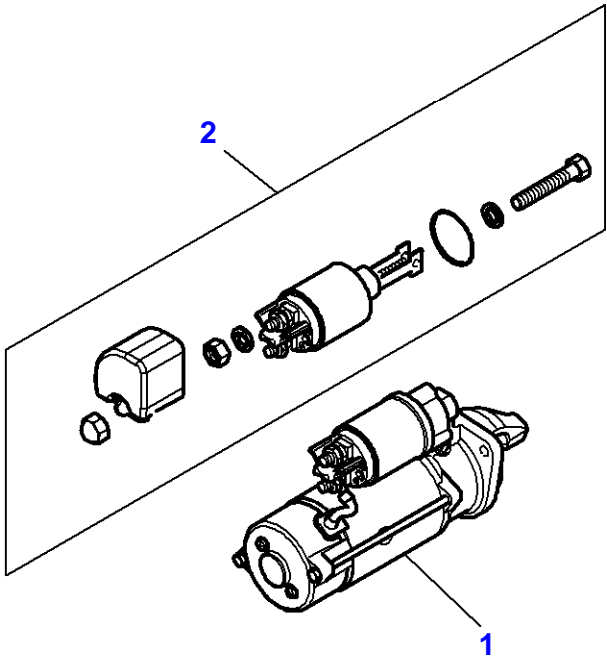


Alternator & Bracket

Item	Part Number	Qty	Description	Comments
1	4281018M4	1	Support	
2	4282164M1	2	Spacer	Diameter 10,3-15X18
3	3009503X1	2	Hex Cap Screw	M10 X 90
4	4281877M93	1	Alternator	120 AMP
	4281878M93	1	Alternator	150 AMP
5	3907769M91	1	Pulley	(4) 120 AMP
	3907768M91	1	Pulley	(4) 150 AMP
6	339136X1	2	Hex Cap Screw	M8 X 90
7	4286745M1	1	Spacer	
8	4350496M1	1	Support	[A]
9	339123X1	2	Hex Cap Screw	[A] M8 X 20
10	339337X1	1	Hex Cap Screw	M8 X 30
11	390972X1	1	Flat Washer	
12	4355841M1	1	Belt	[A]

FOOTNOTE [A] WITHOUT AIR CONDITIONING

1-WC51-003-A



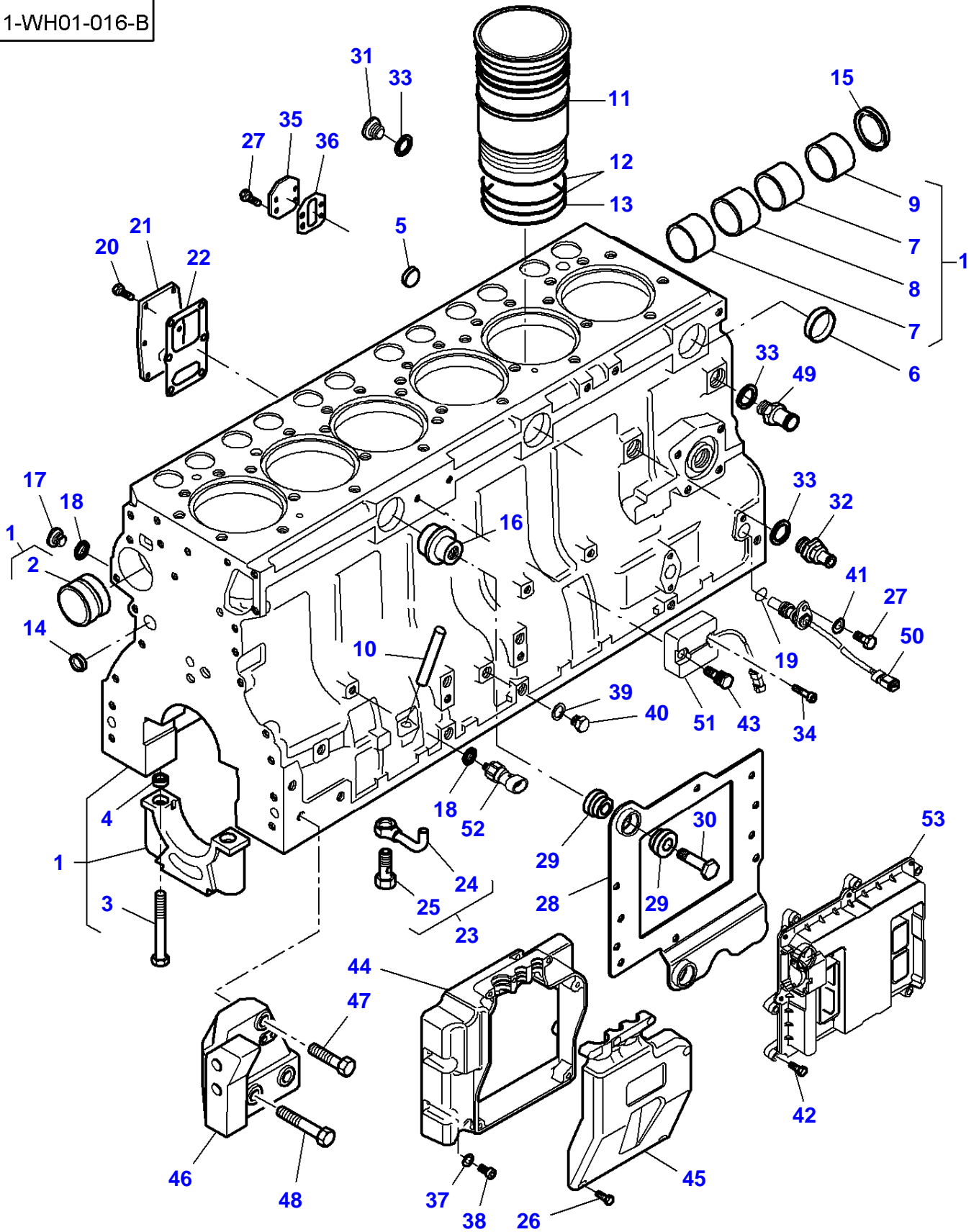
Starter

Item	Part Number	Qty	Description	Comments
1	3823621M96	1	Startermotor	[A]
2	3905503M92	1	Kit, Solenoid	

FOOTNOTE [A] THE APPROPRIATE SAFETY DECALS MUST BE ORDERED AND FITTED TO THIS PART

MF 7480 TRACTOR (TIER 3 Sisu Engine) - 3906313
1-WH01-016-B

1-WH01-016-B

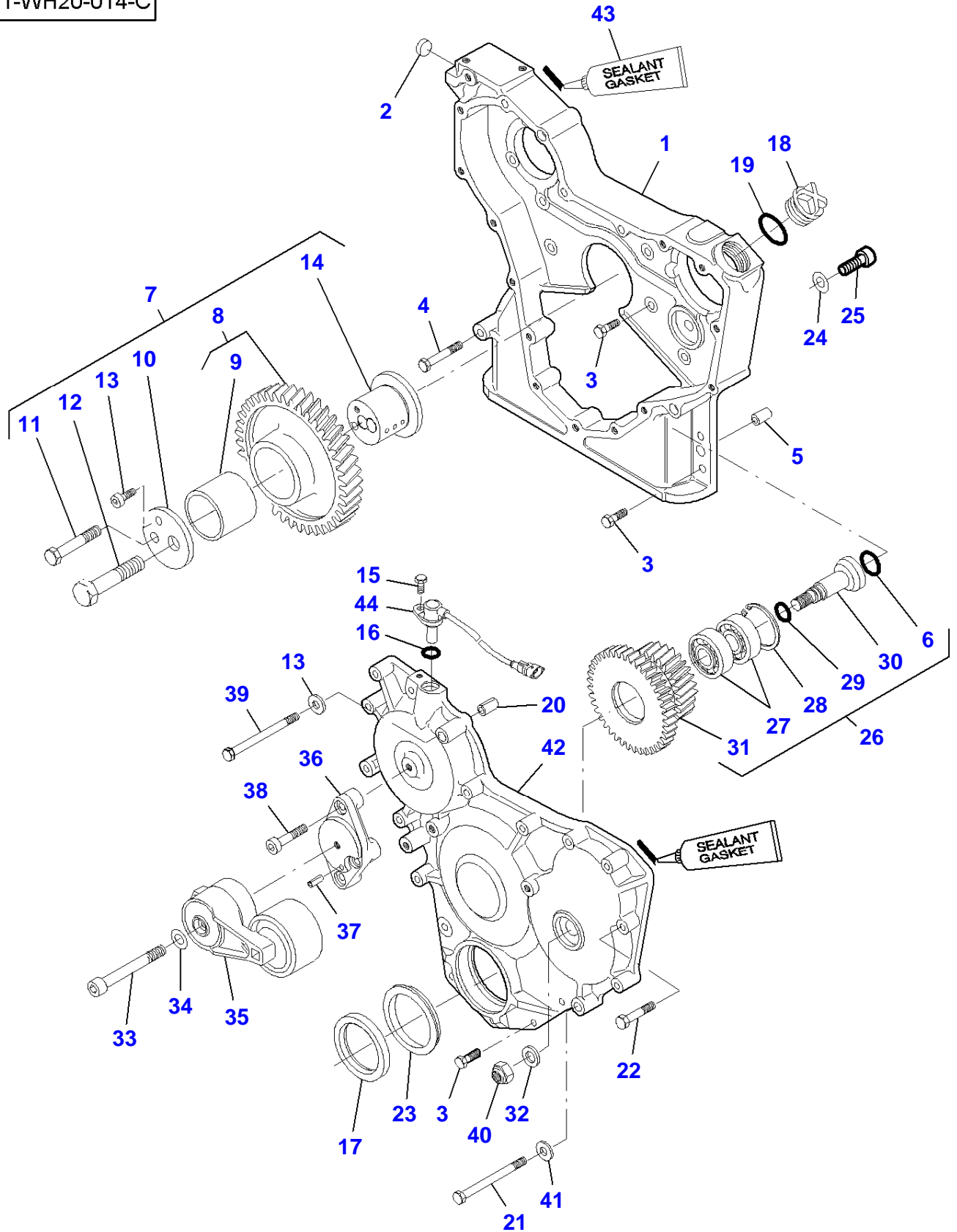


Cylinder-Block

Item	Part Number	Qty	Description	Comments
1	V837070103	1	Cylinder Block	
2	V836866069	1	Camshaft Bushing	(1)
	V836866036	X	Bush	Thickness + 0.40 MM
3	V529903180	14	Hex Cap Screw	(1)
4	V836214478	24	Guide Sleeve	(1)
5	V640016018	2	Plug	
6	V640016040	2	Plug	
7	V836852460	2	Bush	(1)
8	V836852459	1	Bush	(1)
9	V836852461	1	Bush	(1)
10	V836666910	1	Guide Pipe	
11	V836673191	6	Liner	
	V836647933	X	Liner	Thickness 9.08 MM
	V836647934	X	Liner	Thickness 9.13 MM
	V836647935	X	Liner	Thickness 9.23MM
12	V836647502	12	Liner O-Ring	(11)
13	V836647503	6	Liner O-Ring	(11)
14	V640016016	4	Plug	
15	V836852744	1	Plug	
16	V837069057	1	Plug	
17	V640325110	4	Screw Plug	
18	V615871014	5	Sealing Washer	
19	VKH7070	1	O-Ring	
20	V528801380	6	Hex Cap Screw	M8 X 20
21	V836847994	1	Flange	
22	V836322852	1	Gasket	
23	V837074224	6	Cooling Jet	
24	V837070021	6	Pipe	(23)
25	V836338601	6	Pressure Valve	(23)
26	V590253388	6	Screw	5.1 X 14
27	V528801362	5	Hex Cap Screw	M8 X 16
28	V837070147	1	Ecu Bracket	
29	V837074327	6	Rubber Bush	
	V837074327	6	Rubber Bush	[A]
30	V837069056	3	Screw	
31	V640325018	1	Screw Plug	
32	V836664377	1	Cock	
33	V615881824	3	Sealing Washer	
34	V837070197	2	Screw	
35	V836866957	1	Cover	
36	V836866958	1	Gasket	
37	V500150642	5	Washer	
38	V581804182	5	Hex Socket Screw	M6 X 16
39	V615881216	1	Sealing Washer	
40	V640045112	1	Screw Plug	
41	V500050842	1	Washer	
42	V529801102	8	Hex Cap Screw	M6 X 25
43		X	Part Not Used	
44	V837070285	1	Cover	
45	V837070286	1	Cover	
46	V836867635	1	Engine Mount	Left Hand
	V836867636	1	Engine Carrier	Right Hand
47	V529902680	4	Hex Cap Screw	M14 X 65
48	V529902720	4	Hex Cap Screw	M14 X 85
49	V836119837	1	Hose Coupler	
50		1	Speed Sensor	See Page - Reference Number 010-0100/5
		1	Speed Sensor	[A]
				See Page - Reference Number 010-0105/5
51		1	Module	See Page - Reference Number 010-0100/16
		1	Module	[A]
				See Page - Reference Number 010-0105/16
52		1	Oil Press.Switch	See Page - Reference Number 010-0100/3
		1	Oil Press.Switch	[A]
				See Page - Reference Number 010-0105/3
53		1	Control Unit	See Page - Reference Number 010-0100/1
		1	Control Unit	[A]
				See Page - Reference Number 010-0105/1

MF 7480 TRACTOR (TIER 3 Sisu Engine) - 3906313
1-WH20-014-C

1-WH20-014-C

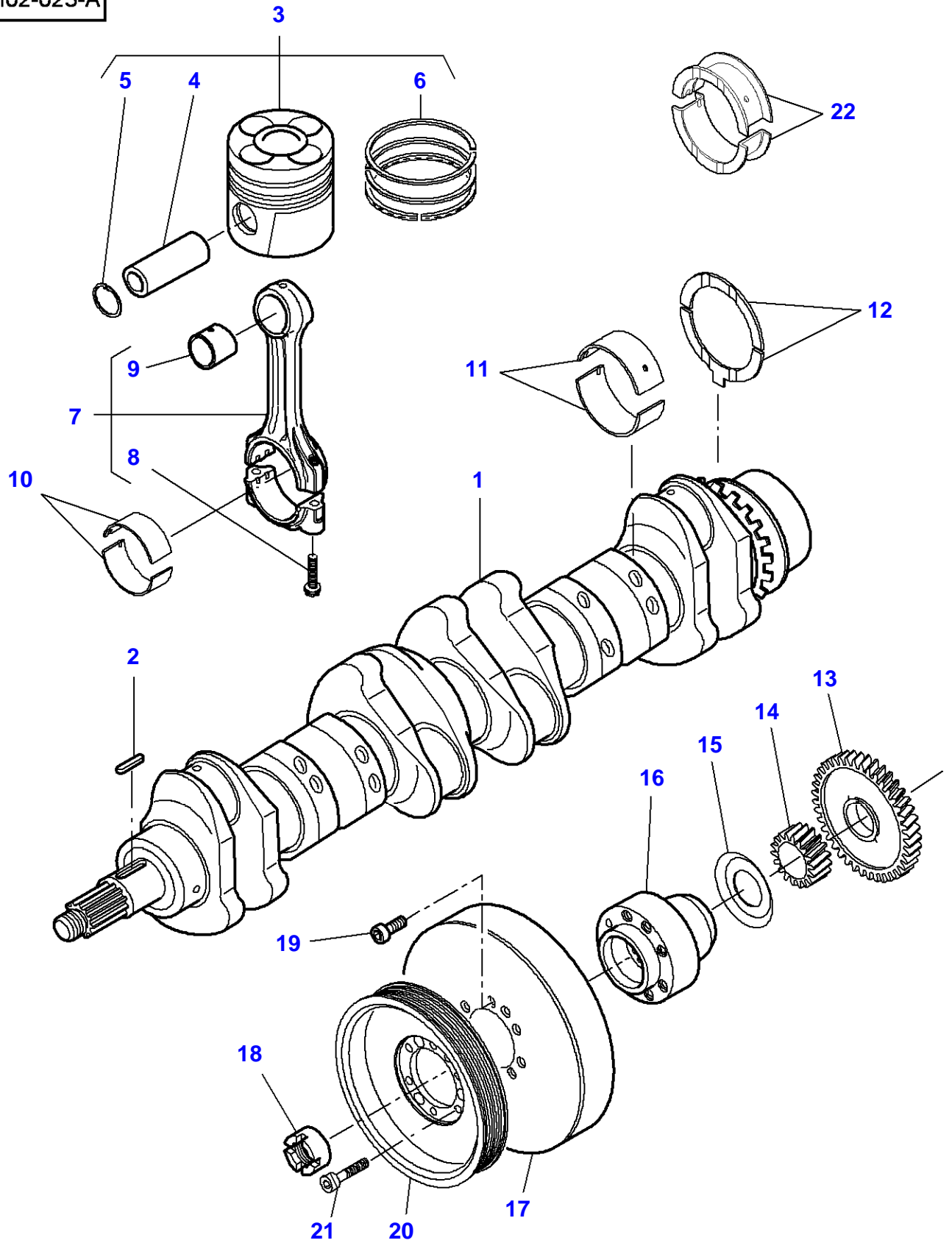


Timing Gear Housing

Item	Part Number	Qty	Description	Comments
1	V837070025	1	Gear Housing	
2	V640016016	1	Plug	
3	V528801400	16	Hex Cap Screw	M8 X 25
4	V529801470	1	Hex Cap Screw	M8 X 60
5	V598359850	2	Pin	
6	V614601924	1	O-Ring	(26)
7	V837073330	1	Gear	
8	V837070034	1	Gear	(7)
9	V836139039	1	Bush	(8)
10	V836129845	1	Flange	(7)
11	V529801910	1	Hex Cap Screw	(7) M10 X 80
12	V529902720	1	Hex Cap Screw	(7) M14 X 85
13	V581804602	1	Hex Socket Screw	(7) M8 X 20
14	V836766127	1	Shaft	(7)
15	V528801062	1	Hex Cap Screw	M6 X 16
16	V614601718	1	O-Ring	
17	V836673387	1	Shaft Seal	
18	V836017927	1	Cap	
19	V614603540	1	O-Ring	
20	V598359850	2	Pin	
21	V529801540	4	Hex Cap Screw	M8 X 95
22	V529801440	9	Hex Cap Screw	M8 X 45
23	V836129782	1	Cover	
	V835328899	X	Spacer	Thickness 3,00 MM
24	V500951200	1	Spring Washer	
25	V581705420	1	Hex Socket Screw	M12 X 25
26	V837070095	1	Dual Gear Wheel	
27	V610073040	2	Ball Bearing	(26)
28	V617330052	1	Lock Ring	(26)
29	V614601324	1	O-Ring	(26)
30	V837069069	1	Shaft	(26)
31	V837070111	1	Dual Gear Wheel	(26)
32	V837069070	1	Washer	
33	V581705130	1	Hex Socket Screw	M10 X 80
34	V500951000	1	Spring Washer	
35	V837073101	1	Belt Tensioner	
36	V836873333	1	Mounting Plate	
37		X	Part Not Used	
38	V581804650	3	Hex Socket Screw	M8 X 40
39	V529801550	1	Hex Cap Screw	M8 X 100
40	V504601400	1	Nut	M14
41	V836120989	2	Washer	
42	V837070026	1	Front Cover	
43	V836662735	1	Gasket Sealpaste	
44		1	Speed Sensor	See Page - Reference Number 010-0100/6
		1	Speed Sensor	[A] See Page - Reference Number 010-0105/6

FOOTNOTE [A] JAPAN ONLY

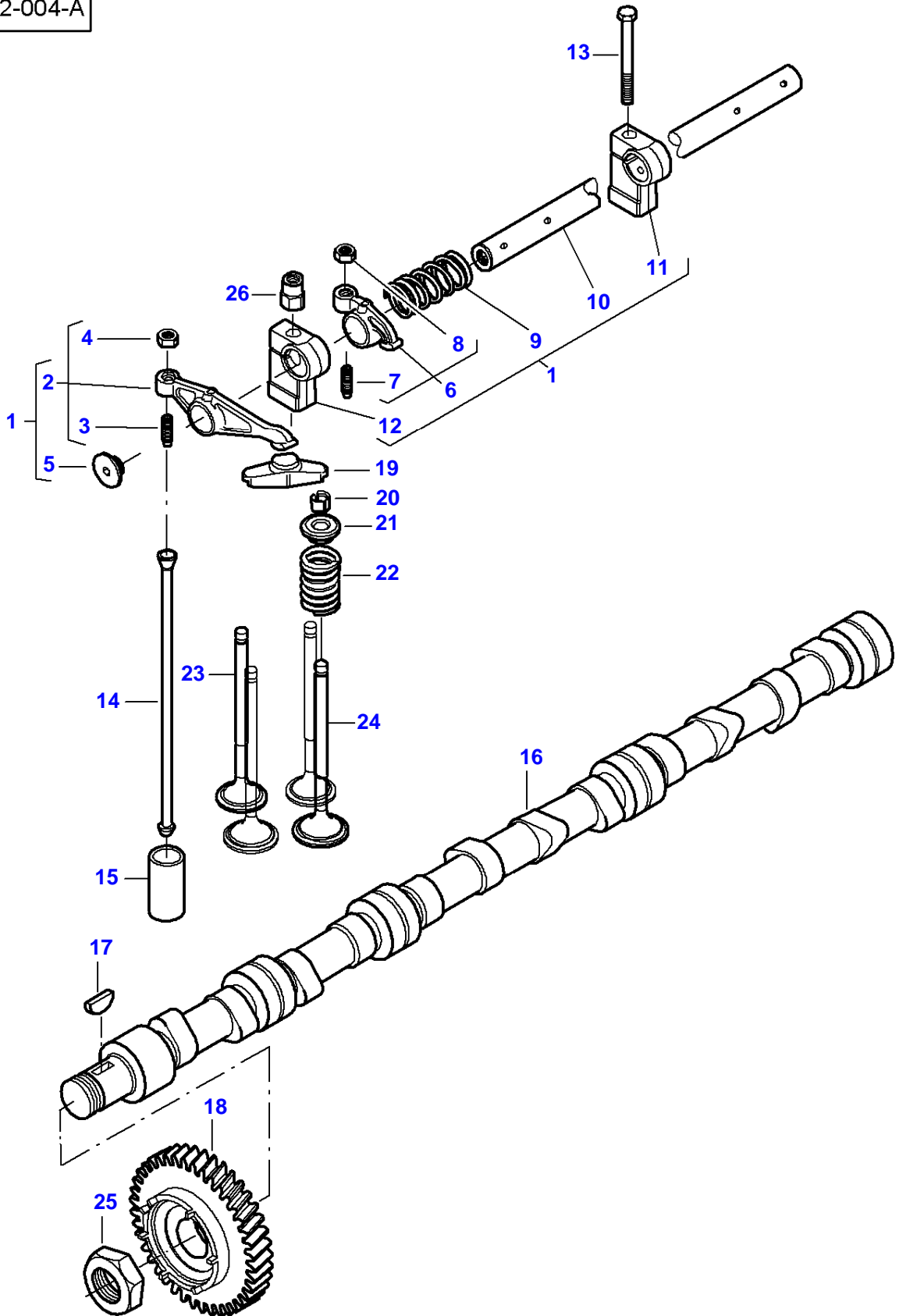
1-WH02-023-A



Crankshaft, Pistons & Piston Rod

Item	Part Number	Qty	Description	Comments
1	V837070199	1	Crankshaft	
2	V603345110	1	Wedge	
3	V837073228	6	Piston	Up to Serial or Engine Number X07642
	V837073228	6	Piston	[A]
	V837074081	6	Piston	Up to Serial or Engine Number X7373
	V837074081	6	Piston	[A]
	V837074081	6	Piston	From Serial or Engine Number X7374
4		6	Piston Pin	From Serial or Engine Number X07643
				(3)
				Not serviced,order REF. 3
5		12	Circlip	(3)
				Not serviced,order REF. 3
6	V836640078	6	Piston Ring Kit	(3)
	V836640078	6	Piston Ring Kit	[A]
				(3)
				Up to Serial or Engine Number X7373
	V837079460	6	Piston Ring Kit	[A]
				(3)
				From Serial or Engine Number X7374
	V837079460	6	Piston Ring Kit	(3)
				From Serial or Engine Number X07643
7	V836840928	1	Con Rod Kit	
	V836666430	6	Conrod	1935-1954g F
	V836666431	X	Conrod	1955-1974g V
	V836666432	X	Conrod	1975-1994g X
	V836666433	X	Conrod	1995-2014g Y
	V836666434	X	Conrod	2015-2034g W
	V836666435	X	Conrod	2035-2054g Z
	V836666436	X	Conrod	2055-2074g G
8	V836864141	12	Screw Special	(7)
				TORX E18
9	V836110646	6	Bearing Bush	(7)
10	V836110552	6	Conrod Bearing	STANDARD
				Diameter 67,981MM
				68,000MM
	V836112762	X	Conrod Bearing	Diameter 67,731MM
				67,750MM
	V836112763	X	Conrod Bearing	Diameter 67,481MM
				67,500MM
	V836112765	X	Conrod Bearing	Diameter 66,981MM
				67,000MM
	V836112767	X	Conrod Bearing	Diameter 66,481MM
				66,50MM
11	V836840944	7	Main Bearing	STANDARD
				Diameter 89,985MM
				90,020MM
	V836840978	X	Main Bearing	Diameter 89,735MM
				89,770MM
	V836840979	X	Main Bearing	Diameter 89,485MM
				89,520MM
	V836840980	X	Main Bearing	Diameter 88,985MM
				89,020MM
	V836840981	X	Main Bearing	Diameter 88,485MM
				88,520MM
12	V836840945	2	Thrust Washer	STANDARD
	V836840982	X	Thrust Washer	Thickness 0,1MM
	V836840983	X	Thrust Washer	Thickness 0,2MM
13	V836119550	1	Crankshaft Gear	
14	V836667096	1	Crankshaft Gear	
15	V836129781	1	Ring	
16	V837070460	1	Crankshaft Hub	
17	V836340689	1	Damper	
18	V836847641	1	Crankshaft Nut	
19	V581804620	3	Hex Socket Screw	M8 X 25
	V577904620	3	Hex Socket Screw	[A]
				M8 X 25
20	V836867660	1	Pulley	
21	V581804670	6	Hex Socket Screw	M8 X 50
22	V836879152	1	Main Bearing	

1-WH22-004-A



Buy Now



Our support email:

ebooklibonline@outlook.com