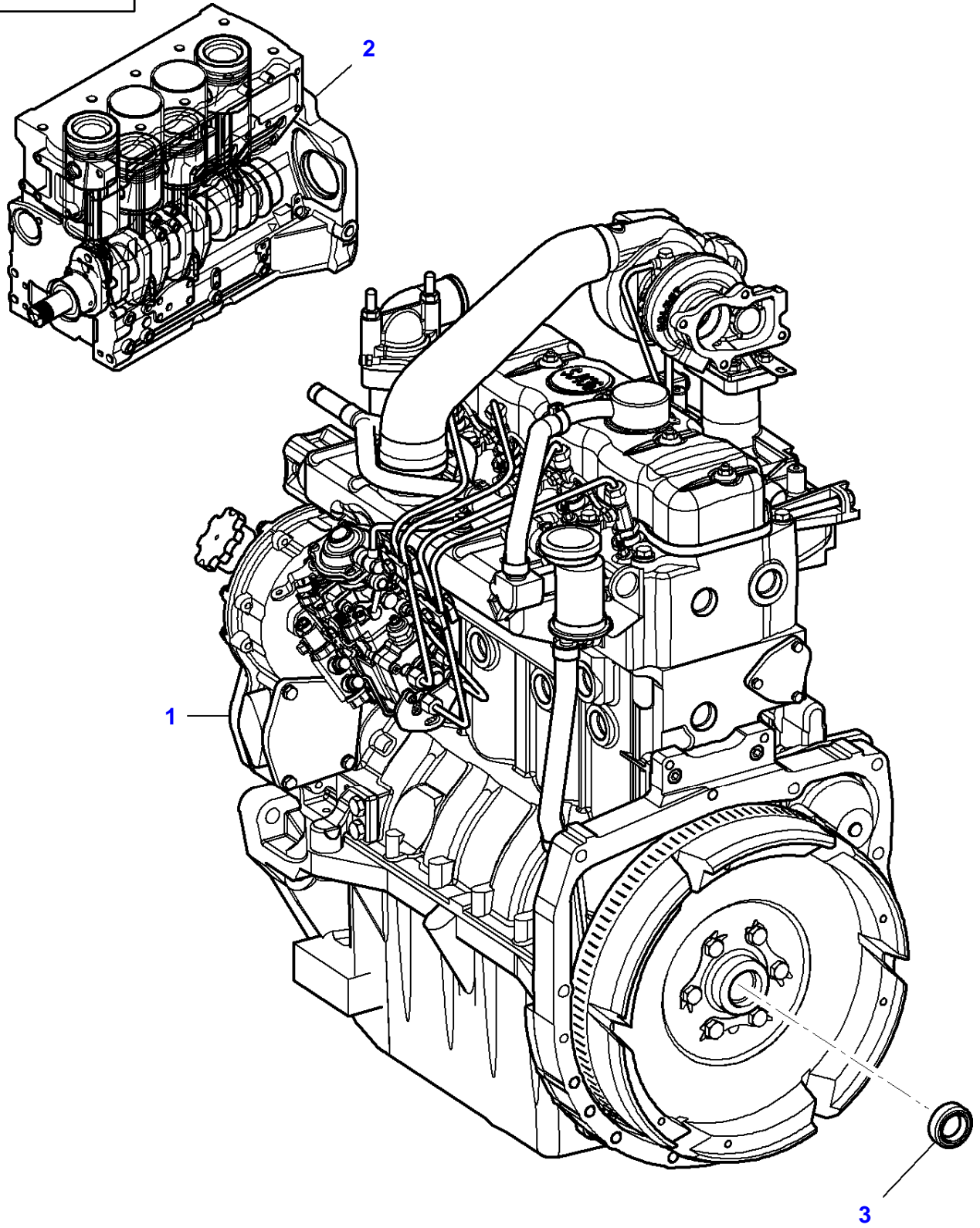


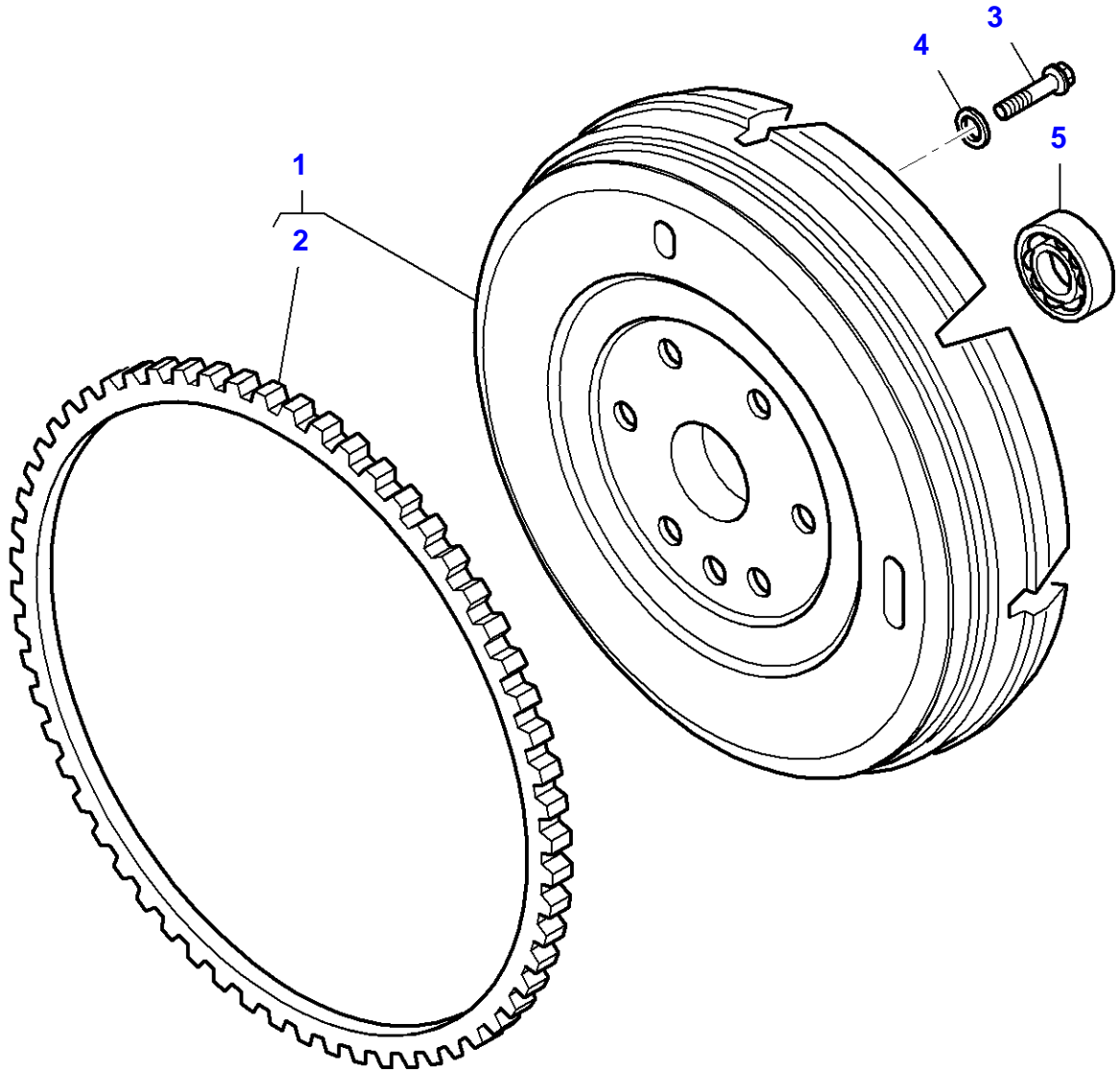
<b>Page Number</b>	<b>Page Title</b>	<b>Page Reference</b>
01-000-TOC	ENGINE, FUEL AND EXHAUST SYSTEM	01-000-TOC
02-000-TOC	FRAME AND SUSPENSION	02-000-TOC
03-000-TOC	STEERING SYSTEM	03-000-TOC
04-000-TOC	DRIVE TRAIN SYSTEM	04-000-TOC
05-000-TOC	ELECTRICAL SYSTEM	05-000-TOC
06-000-TOC	PLATFORM	06-000-TOC
07-000-TOC	CHASSIS	07-000-TOC
08-000-TOC	LINKAGE	08-000-TOC
09-000-TOC	GENERAL INFORMATION	09-000-TOC

0-0011-002-E



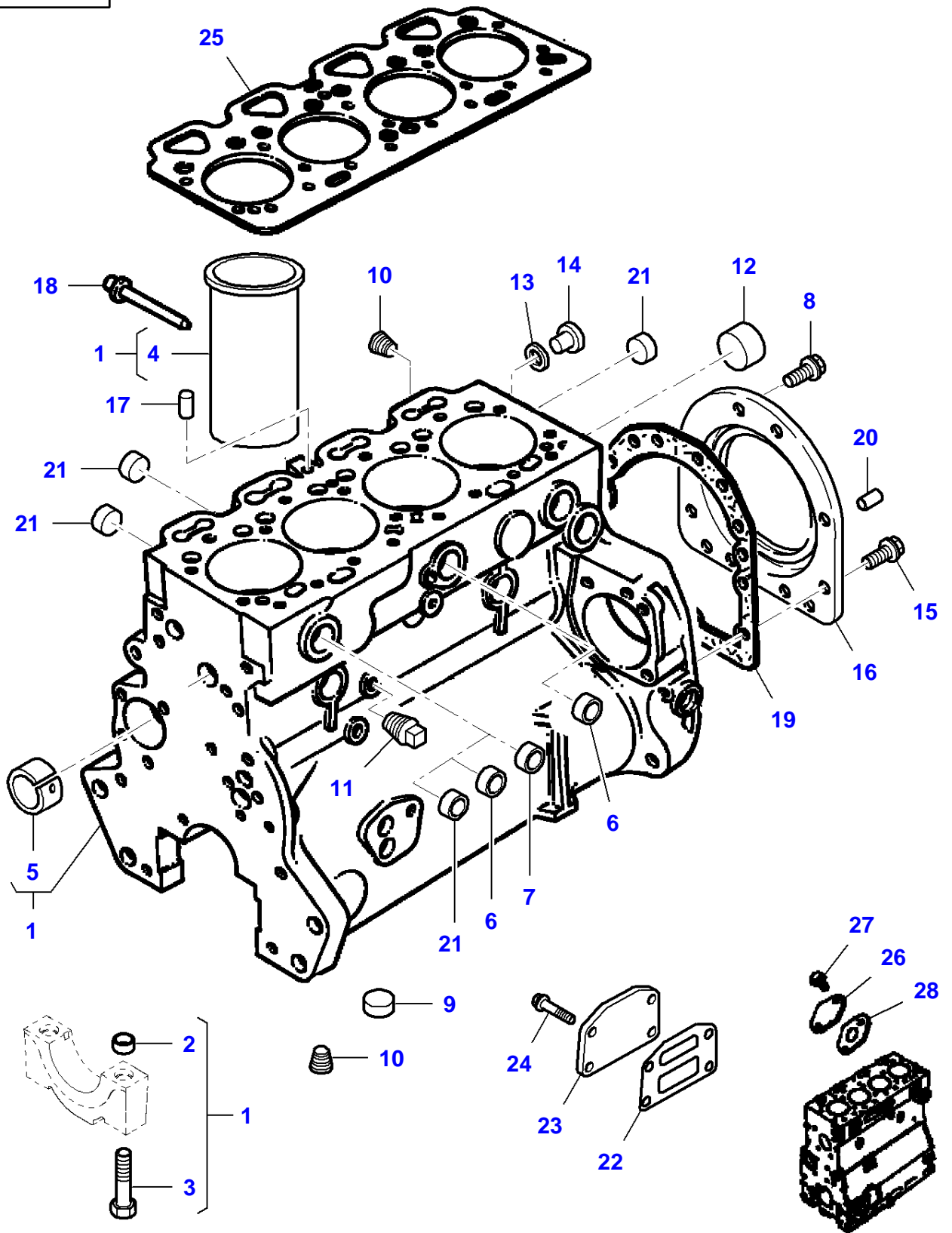
Item	Part Number	Qty	Description Comments	Technical Specification
1	4248263M92	1	ENGINE NOT FOR SOUTH AFRICA MF 275 XTRA	S440 75HP-LIST N?061
	1918A00102	1	ENGINE NOT FOR SOUTH AFRICA MF 290 XTRA	S440 75HP-LIST N?080
	1918P00501	1	ENGINE ONLY FOR SOUTH AFRICA	ST440 TII 78HP-LIST N?122
	1918P00501	1	ENGINE ONLY FOR MOROCCO MF290 XTRA	ST440 TII 78HP-LIST N?122
	1918P01001	1	ENGINE IRAQ ONLY	S440 -LIST N?129
	ACP0232990	1	ENGINE MF 275 XTRA ONLY FOR MOROCCO	ST440 TII 78HP-6166
2	3906852M91	1	SHORT ENGINE	
3	NS	X	NON-SERVICEABLE PART	

0-0095-006-A



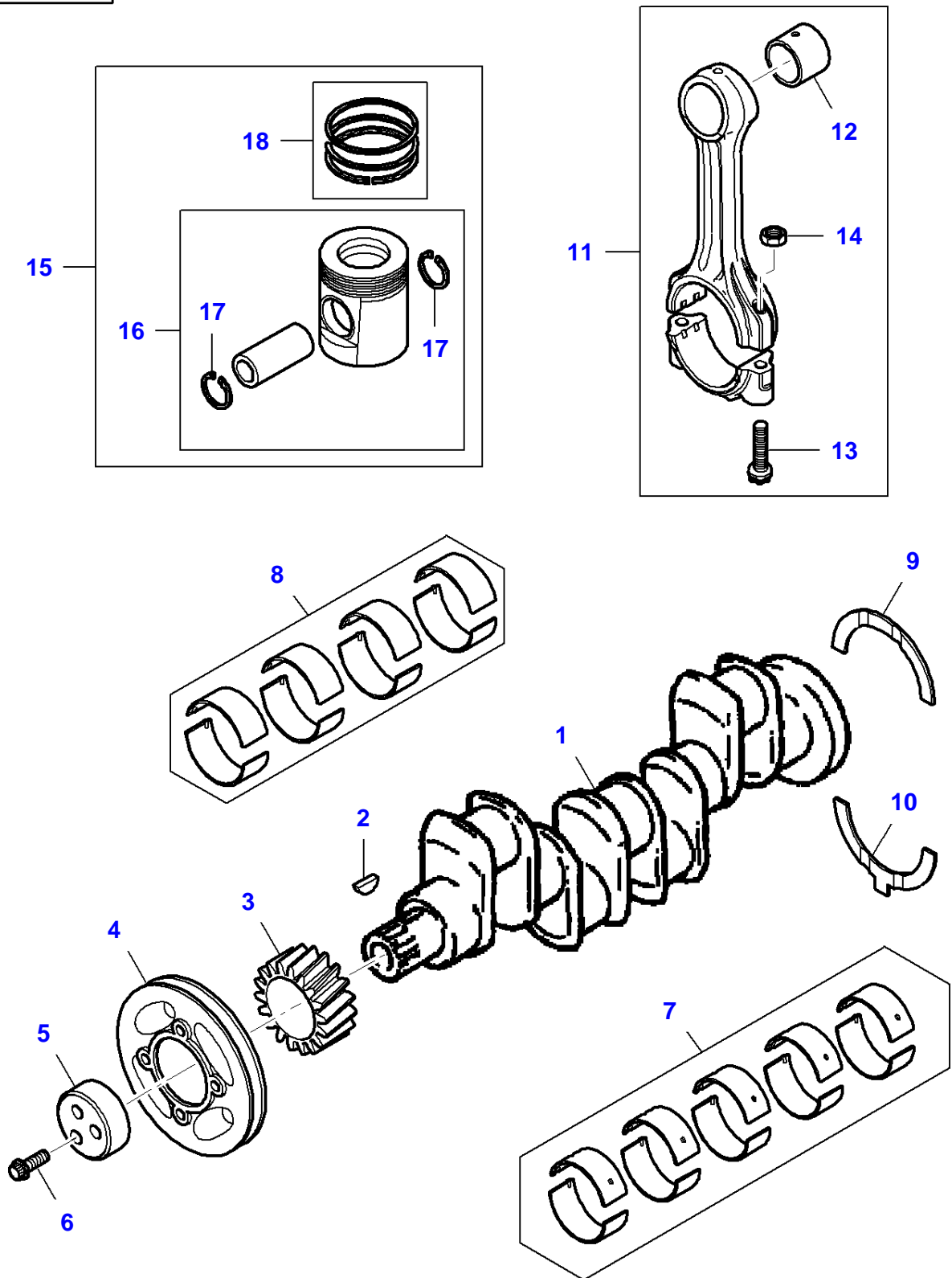
Item	Part Number	Qty	Description Comments
1	3906723M91	1	FLYWHEEL ASSY. INCLUDES ITEMS 2
2	731008M1	1	STARTER RING
3	375833X1	6	ROUND HEAD SQUARE NECK CARRIAGE BOLT 1/2"-20 x 1-1/8
4	745365M1	6	WASHER
5	828123M2	1	BEAR.6203 2Z UP TO MACHINE S/N FX-788256
	4256612M1	1	BEARING FROM MACHINE S/N FX-788257

0-0560-018-B



Item	Part Number	Qty	Description Comments	Technical Specification
1	3906721M91	1	CYLINDER-BLOCK INCLUDES ITEMS 2-5	
2	733072M1	10	THIMBLE	
3	1476108X1	10	HEX CAP SCREW	
4	748215M1	4	LINER	PRESS FIT
5	4222017M1	1	BUSH	
6	731354M1	6	PLUG	
7	731856M1	1	PLUG	
8	3637008M1	12	HEXAGON FLANGE BOLT	M8 X 20 CL8.8 ZN
9	4222012M1	3	PLUG	
10	733067M1	2	PLUG 3/4"-14	
11	376670X1	1	PLUG	
12	4222043M1	1	PLUG	
13	3638664M1	1	WASHER	
14	4224561M1	1	PLUG	
15	3641756M1	2	HEXAGON FLANGE BOLT	
16	3906729M1	1	HOUSING INCLUDES ITEMS 16	
	3604419M1	1	OIL SEAL	
17	736868M1	1	PLUG	
18	1476282X1	1	PLUG	
19	3641089M1	1	JOINT	
20	731947M1	1	DOWEL	
21	746259M1	9	PLUG	
22	3638708M1	1	JOINT	
23	748416M1	1	PLATE	
24	3638424M1	4	HEXAGON FLANGE BOLT	
25	4224501M1	1	CYLINDER HEAD GASKET	
26	3906717M1	1	PLATE	
27	3906759M1	2	BOLT NOT FOR SOUTH AFRICA Engine S440	
	3637008M1	2	HEXAGON FLANGE BOLT ONLY FOR SOUTH AFRICA Engine ST440 ONLY FOR MOROCCO	M8 X 20 CL8.8 ZN
28	3641404M1	1	JOINT	

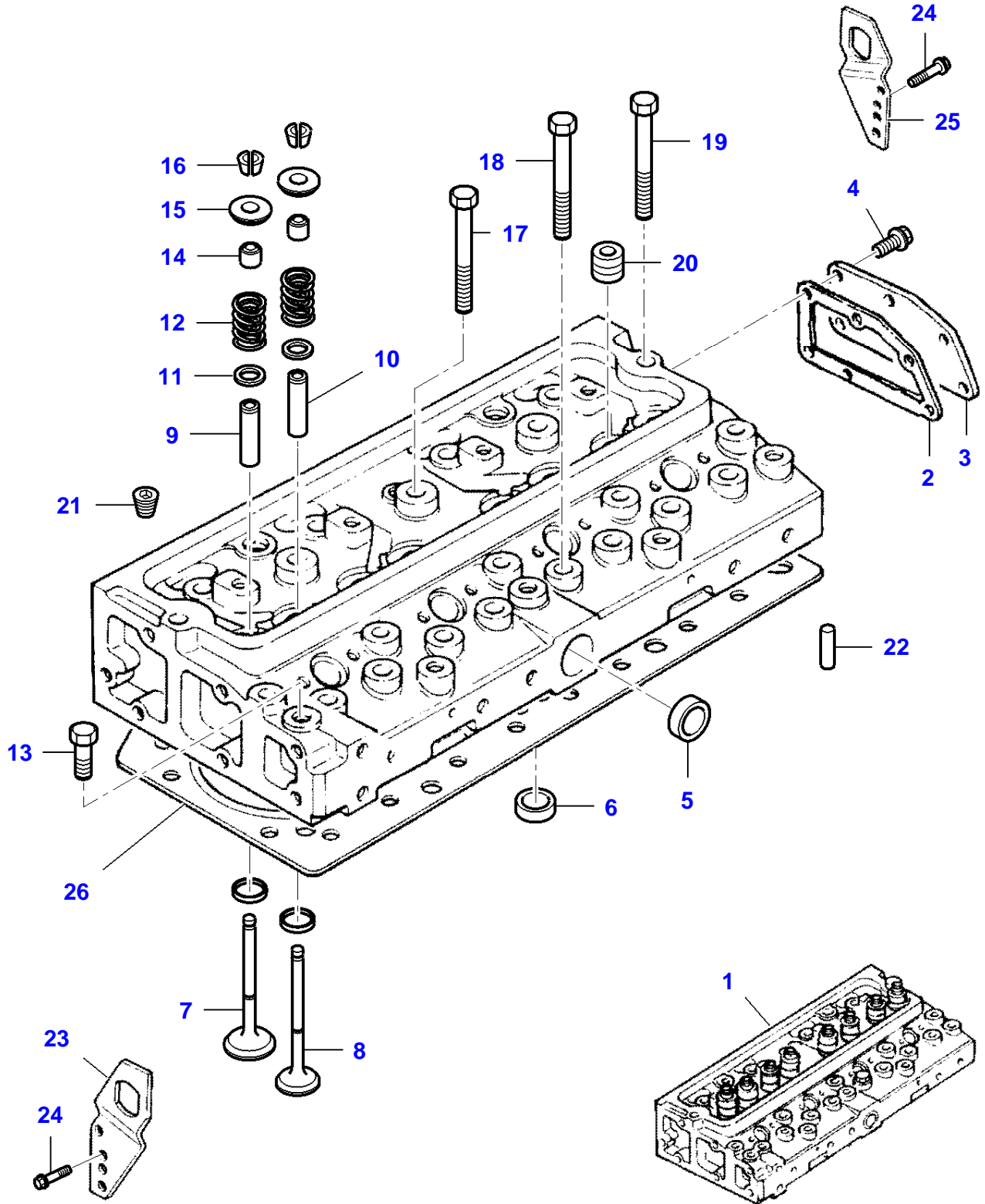
0-0563-014-A





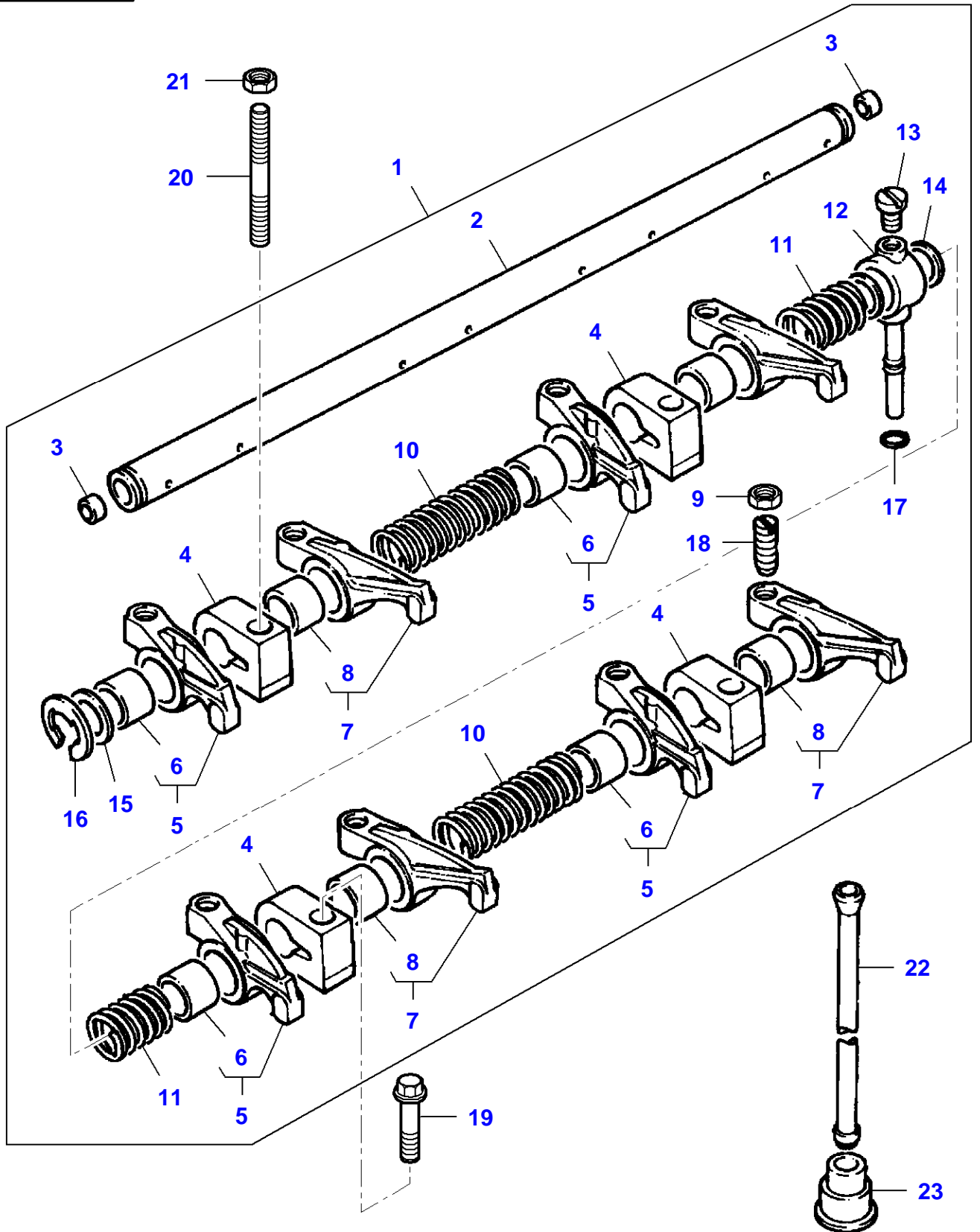
Item	Part Number	Qty	Description Comments	Technical Specification
1	3906704M1	1	CRANKSHAFT	
2	2196X	1	WOODRUFF KEY	0.2500X0.8750-CARB-PL
3	3906710M1	1	GEAR,CRANKSHAFT	
4	748238M1	1	CRANKSHAFT PULLEY	
5	3638115M1	1	THRUST BLOCK	
6	3638113M1	1	HEXAGON FLANGE BOLT	
7	735168M91	1	KIT, BEARING	STD
	735169M91	X	KIT, BEARING	-0.010"
	735170M91	X	KIT, BEARING	-0.020"
	735171M91	X	KIT, BEARING	-0.030"
8	736950M91	1	KIT, BEARING	
	736951M91	X	KIT, BEARING THICKNESS 0.010" / 0,25mm	
	736952M91	X	KIT, BEARING THICKNESS 0.020" / 0,50mm	
	736953M91	X	KIT, BEARING THICKNESS 0.030" / 0,75mm	
	ACP0245240	1	KIT, BEARING MF275 XTRA ONLY FOR MOROCCO WITH ENGINE ACP0232990 - LIST N?166	STD
	ACP0245250	X	KIT, BEARING MF275 XTRA ONLY FOR MOROCCO WITH ENGINE ACP0232990 - LIST N?166	0.25MM
	ACP0245260	X	KIT, BEARING MF275 XTRA ONLY FOR MOROCCO WITH ENGINE ACP0232990 - LIST N?166	0.50 MM
	ACP0245270	X	KIT, BEARING MF275 XTRA ONLY FOR MOROCCO WITH ENGINE ACP0232990 - LIST N?166	0.75 MM
9	3906702M1	2	THRUST WASHER	
	735742M1	2	THRUST WASHER THICKNESS 0.0075" / 0,19mm	(+)0.007"
	ACP0245280	2	THRUST WASHER MF275 XTRA ONLY FOR MOROCCO WITH ENGINE ACP0232990 - LIST N?166	
10	3906703M1	2	THRUST WASHER	
	735743M1	2	THRUST WASHER THICKNESS 0.0075" / 0,19mm	(+)0.007"
11	3908541M91	4	KIT, CONROD INCLUDES ITEMS 12-14	
12	733767M1	1	BUSH	
13	3637029M1	2	HEX CAP SCREW	
14	3637030M1	2	NUT	
15	3906766M91	1	KIT, PISTON/RING INCLUDES ITEMS 16-18	
16	3906725M91	1	KIT, PISTON INCLUDES ITEMS 16	
17	376131X1	2	CIRCLIP	
18	3906726M91	1	KIT, PISTON RING	

0-0566-015-C



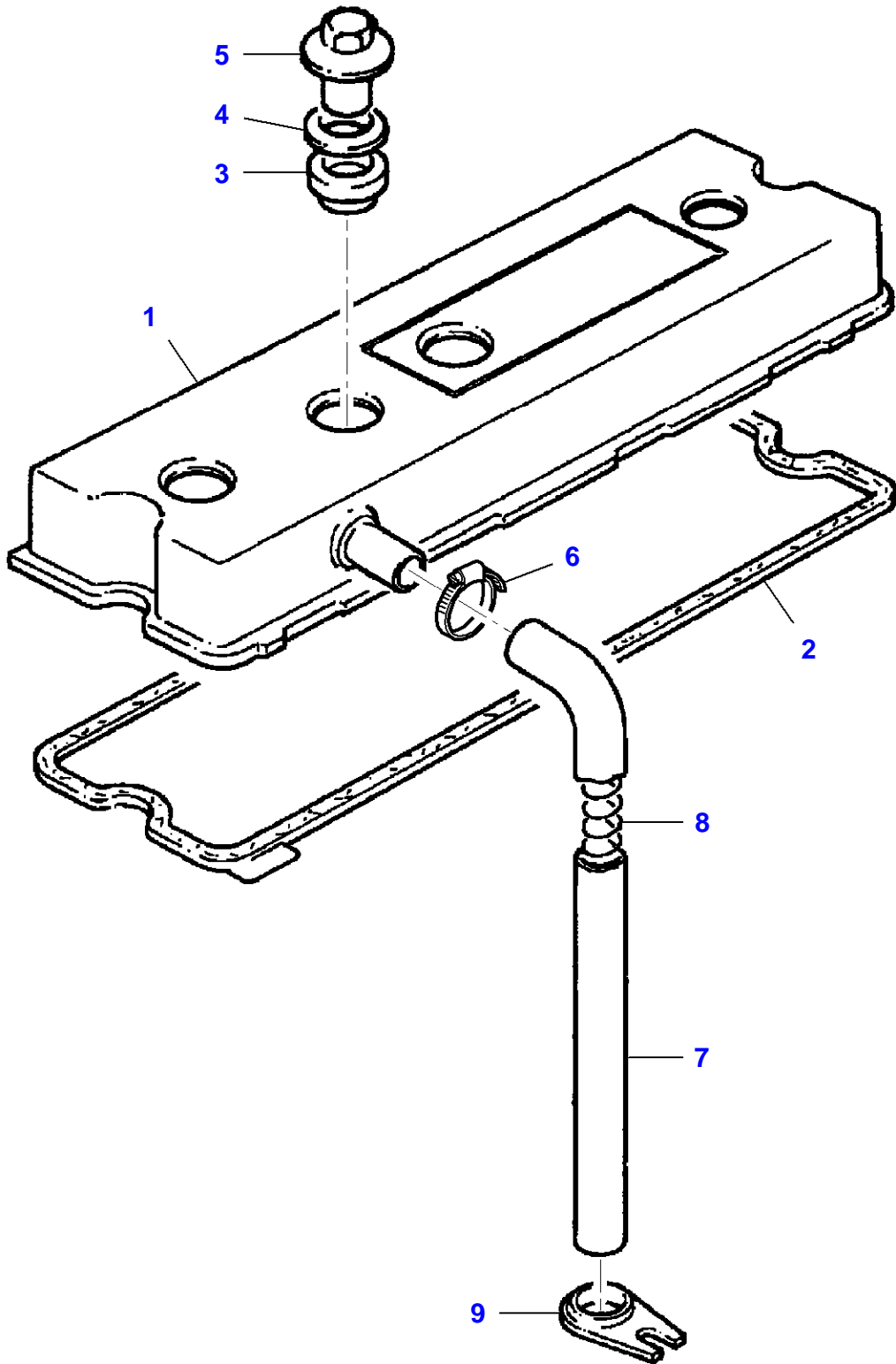
Item	Part Number	Qty	Description Comments	Technical Specification
1	3906800M91	1	KIT, CYL. HEAD INCLUDES ITEMS 2-20	
2	4222714M1	1	JOINT	
3	748368M1	1	PLATE	
4	3637044M1	3	HEXAGON FLANGE BOLT	M8 X 16
5	731354M1	1	PLUG	
6	733536M1	4	PLUG	
7	3906715M1	4	INLET VALVE	
8	3906716M1	4	EXHAUST VALVE	
9	3906835M1	4	VALVE GUIDE	
10	748420M1	4	VALVE GUIDE	
11	733824M1	8	WASHER	
12	3906987M1	8	SPRING	
13	731410M1	1	PLUG	
14	3637041M1	8	SEAL UP TO MACHINE S/N FX-770423	
	3908565M1	8	SEAL FROM MACHINE S/N FX-770424	
15	3637058M1	8	CAP	
16	736453M1	16	COTTER	
17	745663M1	12	HEX CAP SCREW 1/2"-20 X 4-1/4	GRADE 10.9
18	745662M1	8	HEX CAP SCREW	
19	1476243X1	2	HEX CAP SCREW	
20	4224584M1	6	PLUG 3/8"-18	
21	733067M1	2	PLUG 3/4"-14	
22	4222552M1	2	DOWEL	
23	3906838M1	1	PLATE	
24	3637051M1	4	HEXAGON FLANGE BOLT	M10 X 25
25	3906839M1	1	PLATE	
26	4224501M1	1	CYLINDER HEAD GASKET	

0-0569-014-A



Item	Part Number	Qty	Description Comments
1	3906722M1	1	ROCKER SHAFT ASM INCLUDES ITEMS 2-18
2	3906705M1	1	ROCKER SHAFT
3	731330M1	2	PLUG
4	3906697M1	4	BRACKET
5	3637072M91	4	LEFT HAND ROCKER ARM INCLUDES ITEMS 5
6	895748M1	1	BUSH
7	3637071M91	4	ROCKER ARM INCLUDES ITEMS 8
8	895748M1	1	BUSH
9	376123X1	8	LOCKNUT
10	733811M1	2	SPRING
11	733812M1	2	SPRING
12	3638499M1	1	CONNECTION
13	3638500M1	1	SCREW
14	739513M91	2	SHIM
15	747876M1	2	WASHER
16	376137X1	2	CIRCLIP
17	376525X1	1	OLIVE
18	731516M1	8	GRUB SCREW
19	3637073M1	1	HEXAGON FLANGE BOLT
20	3637066M1	3	STUD BOLT
21	3906755M1	3	NUT
22	733817M1	8	PUSHROD
23	4222069M1	8	TAPPET

0-0085-006-A



**Buy Now**



Our support email:

[ebooklibonline@outlook.com](mailto:ebooklibonline@outlook.com)