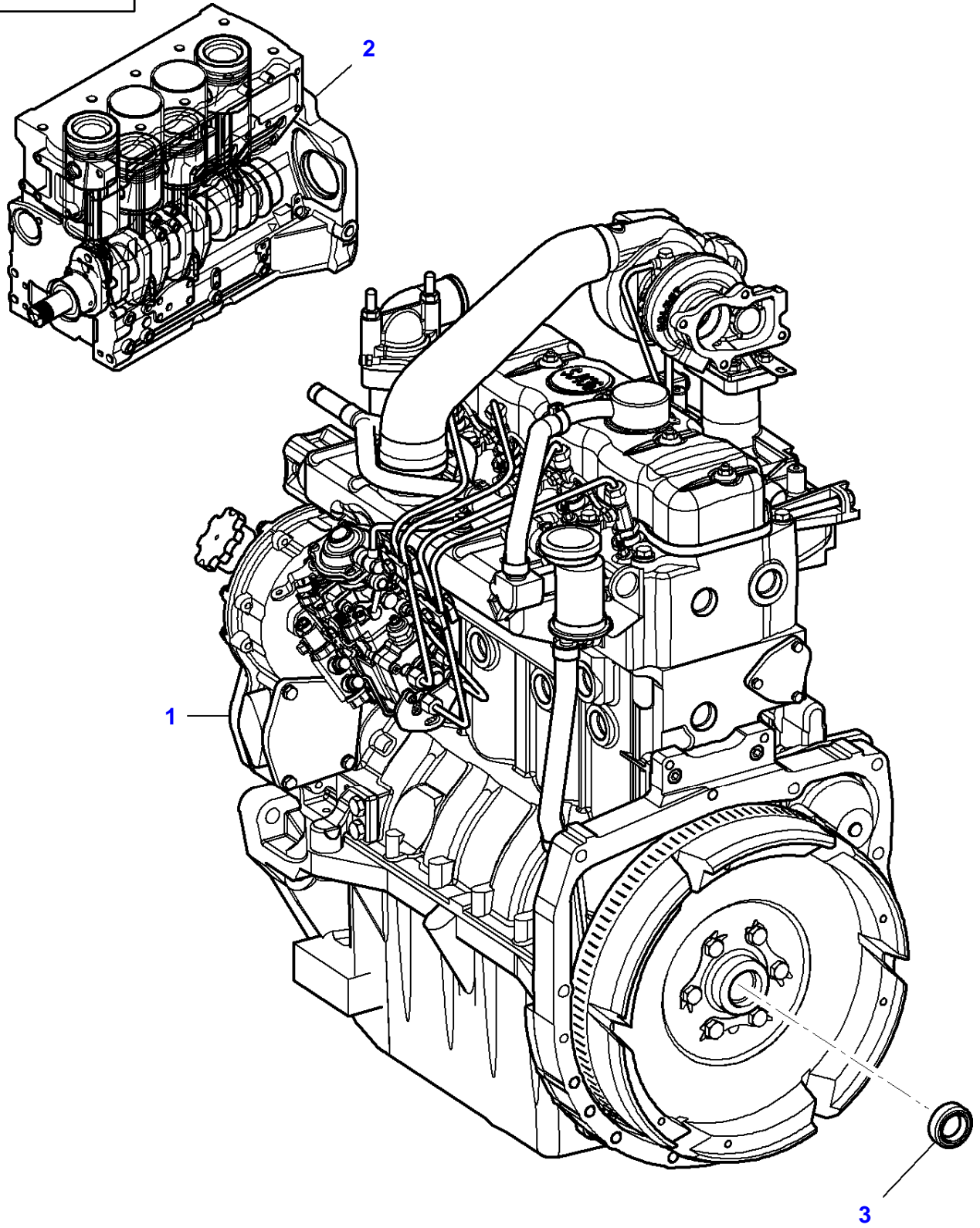


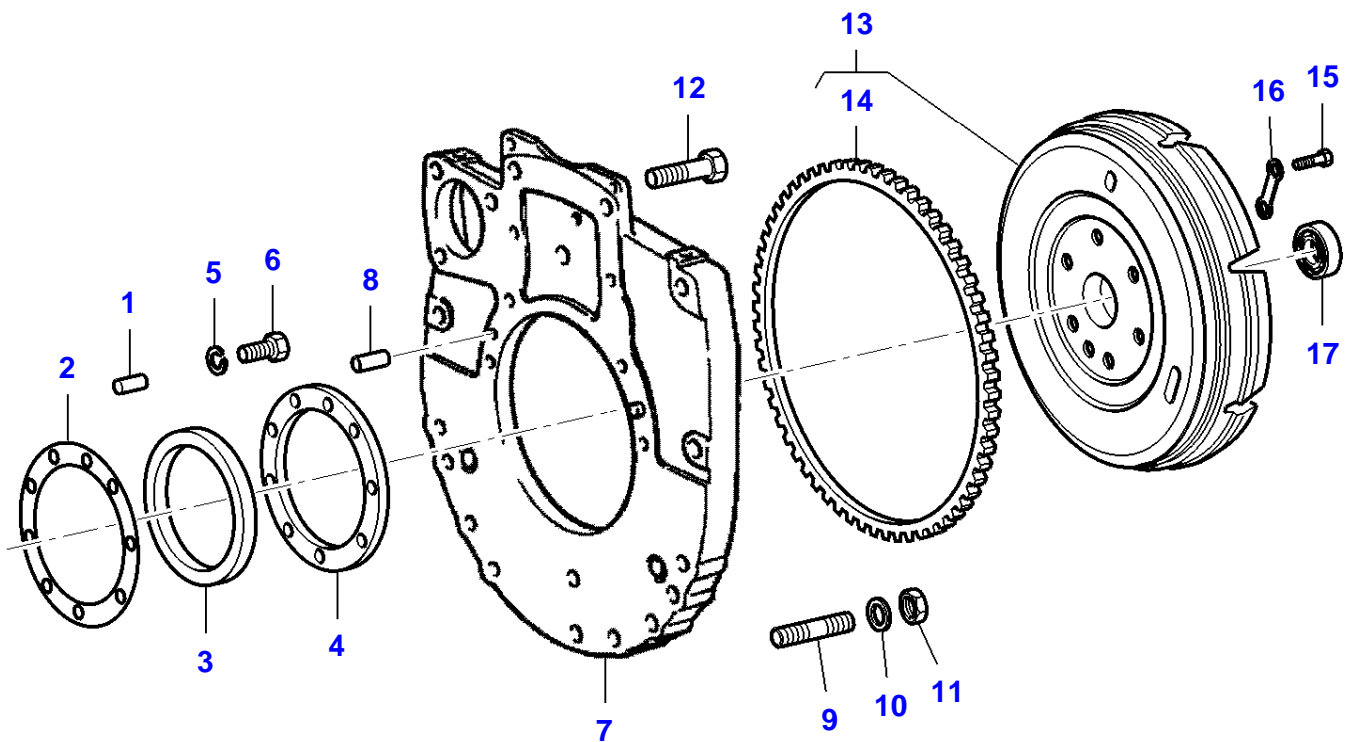
Page Number	Page Title	Page Reference
01-000-TOC	ENGINE, FUEL AND EXHAUST SYSTEM	01-000-TOC
02-000-TOC	FRAME AND SUSPENSION	02-000-TOC
03-000-TOC	DRIVE TRAIN SYSTEM	03-000-TOC
04-000-TOC	ELECTRICAL SYSTEM	04-000-TOC
05-000-TOC	PLATFORM	05-000-TOC
06-000-TOC	CHASSIS	06-000-TOC
07-000-TOC	LINKAGE	07-000-TOC
08-000-TOC	GENERAL INFORMATION	08-000-TOC

0-0011-002-E



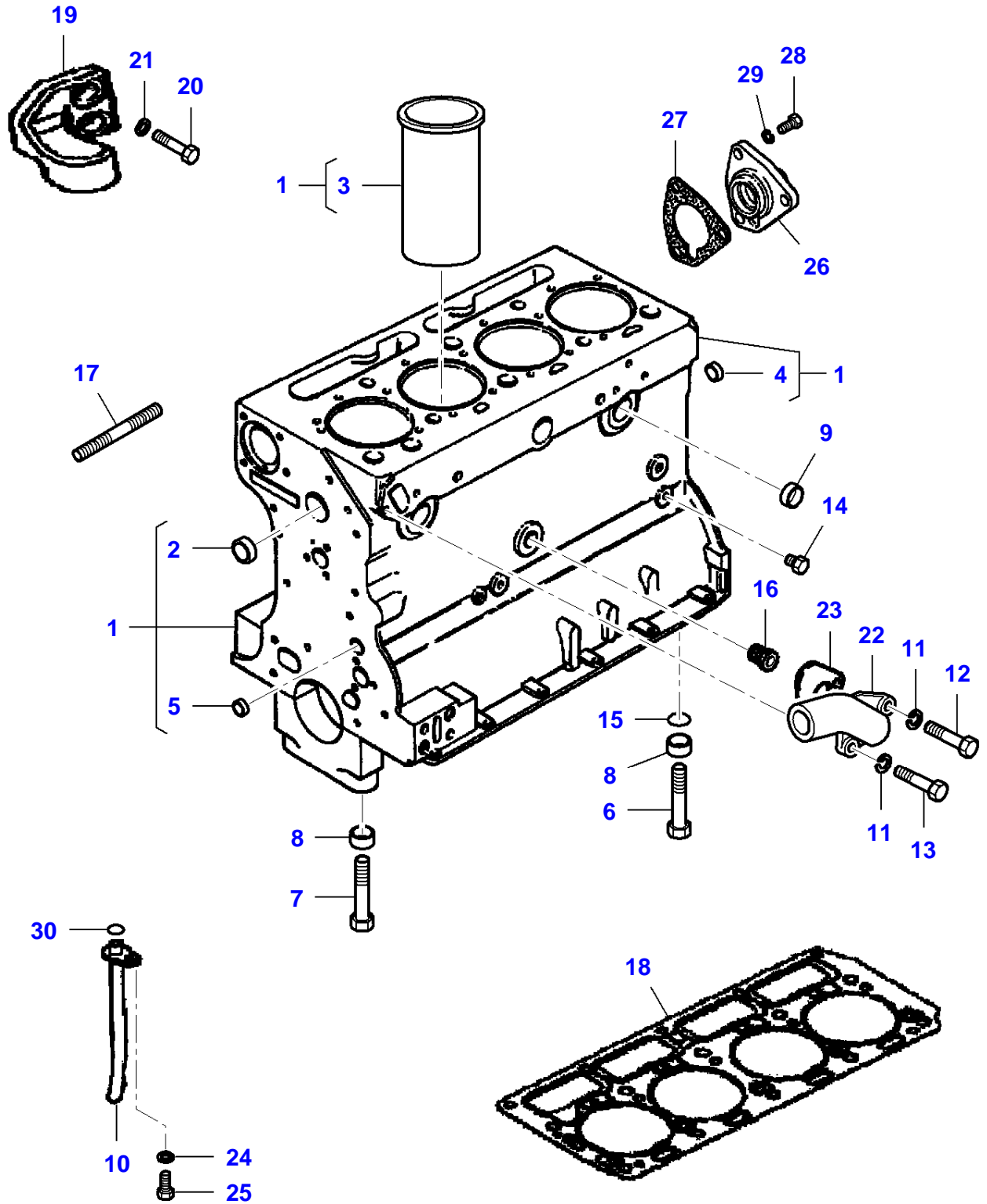
Item	Part Number	Qty	Description Comments	Technical Specification
1	2318P00401	1	ENGINE	SJ436E 63HP-LIST N?057
2	3906889M91	1	SHORT ENGINE	
3	4256612M1	1	BEARING ONLY FOR MOROCCO	

0-0095-005-C



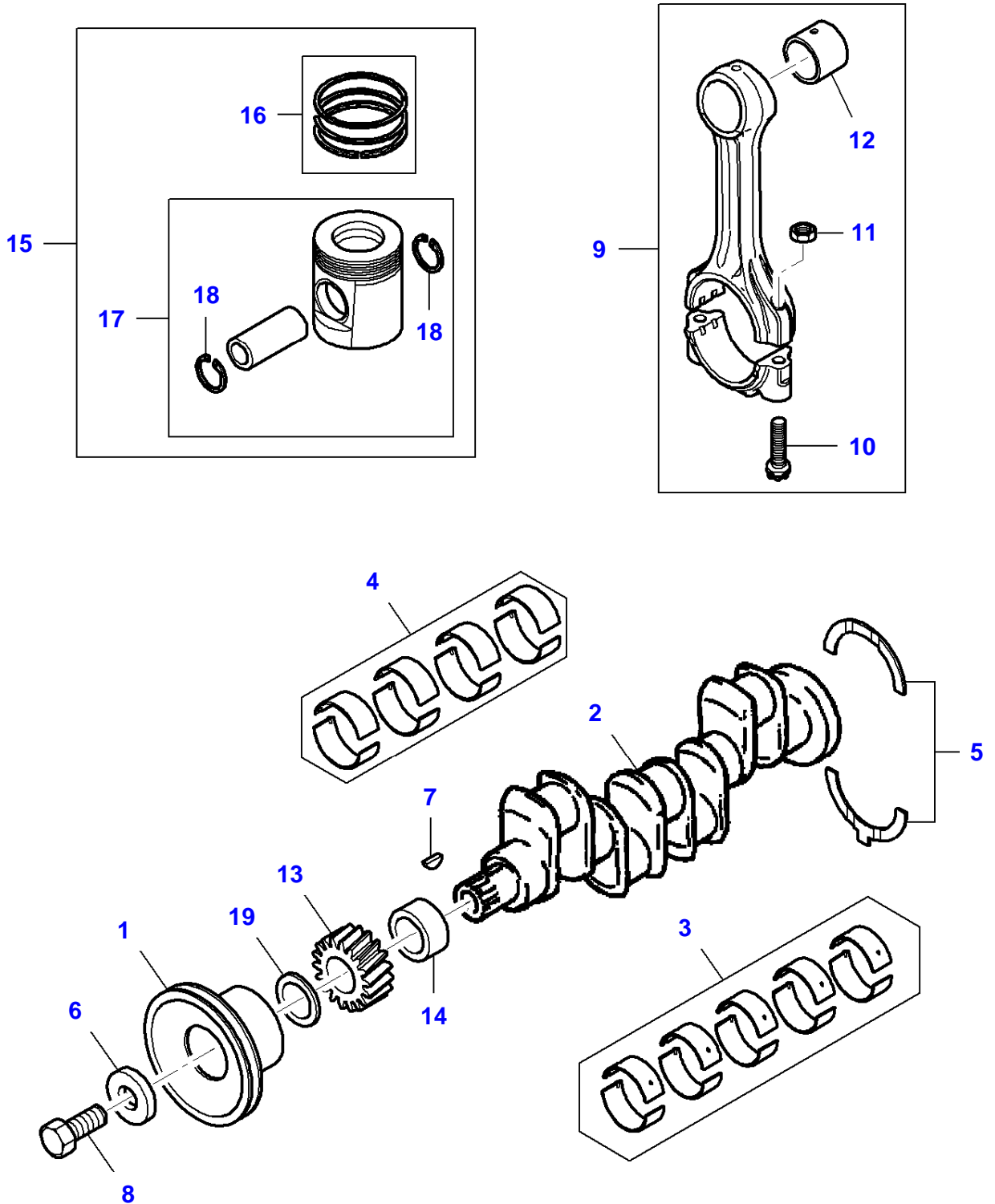
Item	Part Number	Qty	Description Comments	Technical Specification
1	731312M1	2	DOWEL	
2	3604480M1	1	JOINT	
3	3904988M1	1	OIL SEAL	
4	3604447M1	1	HOUSING	
5	353446X1	9	LOCK WASHER	5/16"
6	3604656M1	9	HEX CAP SCREW	
7	3604646M1	1	FLYWHEEL HOUSING	
8	731344M1	2	DOWEL	
9	3604725M1	6	STUD BOLT	
10	3604675M1	6	FLAT WASHER	
11	3604702M1	6	LOCKNUT	
12	3604652M1	2	HEX CAP SCREW	
13	3408364M91	1	FLYWHEEL ASSY. INCLUDES ITEMS 14	
14	731008M1	1	STARTER RING NUMBER OF TEETH/SPINES 115	
15	3604719M1	6	HEX CAP SCREW	M12 X 35 (1.25) ISO 10.9
16	731192M1	3	TAB WASHER	
17	828123M2	1	BEAR.6203 2Z UP TO MACHINE S/N FX-788256	
	4256612M1	1	BEARING FROM MACHINE S/N FX-788257	

0-0560-020-B



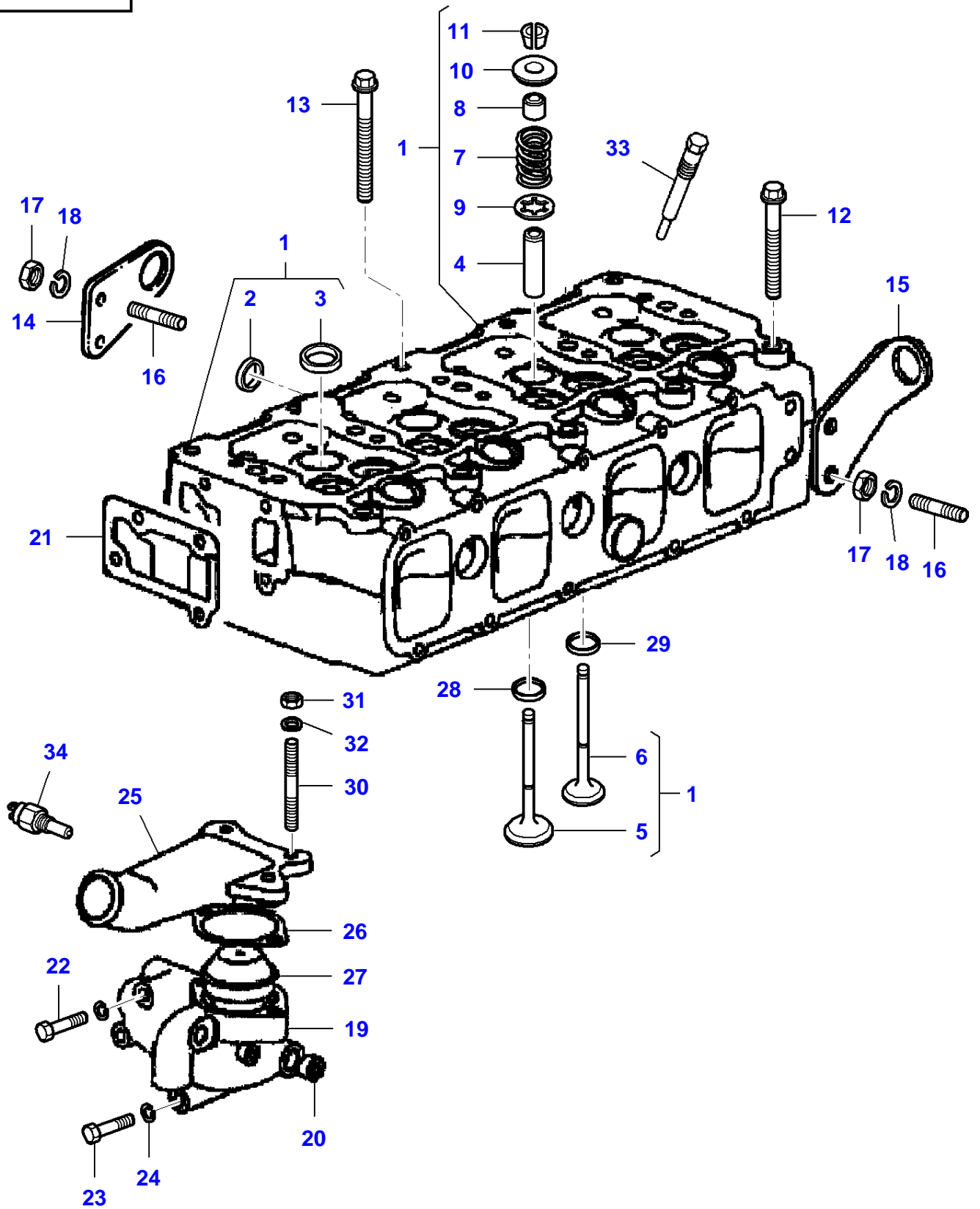
Item	Part Number	Qty	Description Comments	Technical Specification
1	3906511M91	1	CYLINDER-BLOCK INCLUDES ITEMS 2-5	
2	731354M1	12	PLUG	
3	3905776M1	4	LINER SEMI-FINISHED	
	3904972M1	X	LINER PRE-FINISHED	
4	731356M1	1	PLUG	?17,6 MM
5	3904983M1	1	PLUG	
6	3604537M1	2	HEX CAP SCREW	
7	3604538M1	8	HEX CAP SCREW	
8	3604536M1	10	THIMBLE	
9	3904984M1	1	ADAPTER	F.3/4-14 NPSI/M 1"PTF
10	3906507M1	1	PIPE	
11	732575M1	2	LOCK WASHER	5/16"
12	3905301M1	1	HEX CAP SCREW	
13	3604656M1	1	HEX CAP SCREW	
14	3904982M1	1	PLUG	
15	1447053M1	2	O RING	
16	3904945M1	1	ADAPTER	
17	3905853M1	1	STUD BOLT	
18	3905377M1	1	CYLINDER HEAD GASKET	
19	3905429M1	1	RIGHT HAND BRACKET	
20	3905782M1	2	HEX CAP SCREW	
21	353439X1	2	LOCK WASHER	1/2" ZN
22	3906583M1	1	CONNECTION	
	3906539M1	1	O RING	
23	3904965M1	1	JOINT	
24	353446X1	1	LOCK WASHER	5/16"
25	3604656M1	1	HEX CAP SCREW	
26	3905996M1	1	PLATE	
27	3641884M1	1	JOINT	
28	3604656M1	3	HEX CAP SCREW	
29	353446X1	3	LOCK WASHER	5/16"
30	3904991M1	1	O RING	

0-0563-012-E



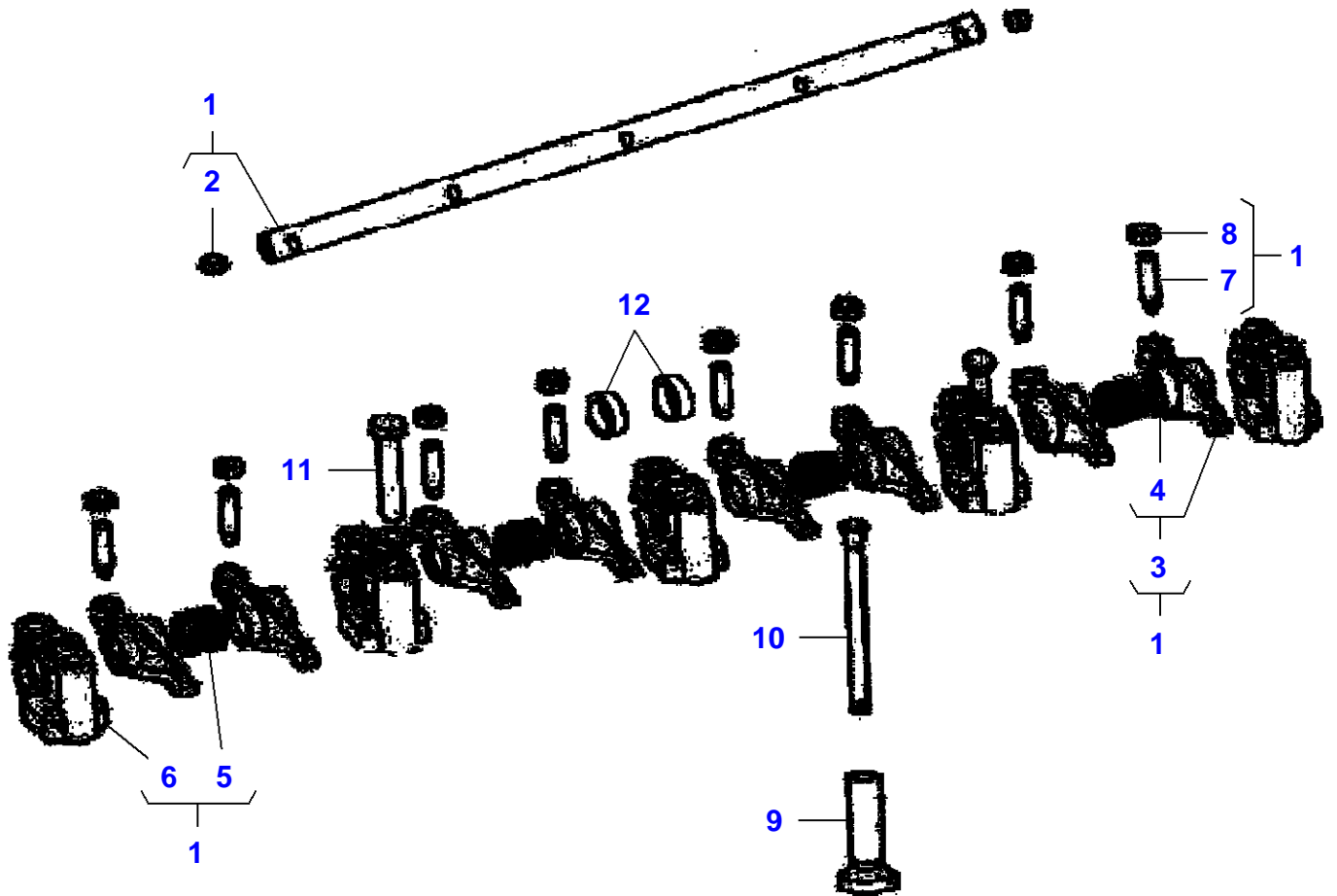
Item	Part Number	Qty	Description Comments	Technical Specification
1	3905512M1	1	CRANKSHAFT PULLEY	
2	3905430M1	1	CRANKSHAFT	S4 STD
3	3905435M1	1	KIT, BEARING	STD
	3905436M1	1	KIT, BEARING	0.010"
	3905437M1	1	KIT, BEARING	0.020?
	3905438M1	1	KIT, BEARING	0.030?
4	3604433M1	8	BEARING	
	3604434M1	8	BEARING	S = -0.25MM/-0.010"
	3604435M1	8	BEARING	S = -0.50MM/-0.020"
	3604436M1	8	BEARING	S = -0.75MM/-0.030"
5	3604437M1	1	KIT, WASHER "Standard"	
	3604438M1	1	KIT, WASHER THICKNESS (+) 0,007"	
6	731376M1	1	WASHER	
7	731076M1	1	WOODRUFF KEY	
8	3604717M1	1	HEX CAP SCREW	
9	3604445M91	4	KIT, CONROD INCLUDES ITEMS 10-12	
10	375756X1	2	HEX CAP SCREW	
11	3639947M1	2	NUT	7/16"-20
12	3604562M1	1	BUSH	
13	3905292M1	1	GEAR,CRANKSHAFT	
14	3905291M1	1	SPACER	
15	3905278M91	1	KIT, PISTON/RING INCLUDES ITEMS 16-18	
16	3905261M91	1	KIT, RING	
17	3905406M91	4	KIT, PISTON INCLUDES ITEMS 18	
18	375709X1	2	CIRCLIP	
19	745057M1	1	WASHER	

0-0566-012-F



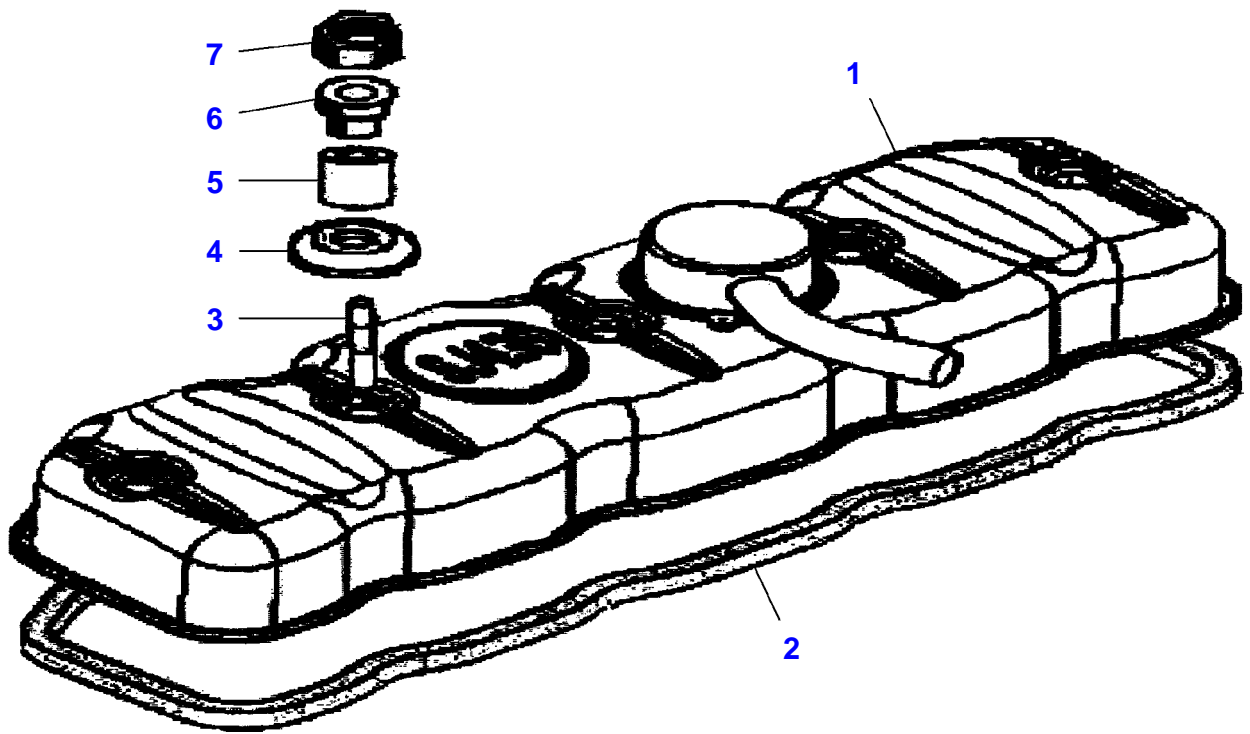
Item	Part Number	Qty	Description Comments	Technical Specification
1	3906951M91	1	KIT, CYL. HEAD INCLUDES ITEMS 2-11	
	3905414M91	1	KIT, CYL. HEAD INCLUDES ITEMS 2-11 ONLY FOR MOROCCO	
2	731856M1	3	PLUG	
3	731354M1	9	PLUG	
4	3904958M1	8	GUIDE	
	ACP0300950	X	GUIDE	PRE-FINISHED
5	3905252M1	4	INLET VALVE	
6	3905253M1	4	EXHAUST VALVE	
7	3904999M1	8	SPRING	
8	3904989M1	8	SEAL	
9	737645M1	8	WASHER	
10	731156M1	8	CAP	
11	731155M1	16	COTTER	
12	3904995M1	10	HEX CAP SCREW	
13	3904996M1	5	HEX CAP SCREW	
14	3905259M1	1	PLATE	
15	3604678M1	1	PLATE	
16	3604724M1	4	STUD BOLT	
17	3604702M1	4	LOCKNUT	
18	3604675M1	4	FLAT WASHER	
19	3906579M1	1	BODY	
20	4224584M1	1	PLUG	
21	3904964M1	1	JOINT	
22	3604710M1	2	HEX CAP SCREW	
23	3904994M1	2	HEX CAP SCREW	
24	353446X1	4	LOCK WASHER	5/16"
25	3906580M1	1	CONNECTION	
26	1650482M1	1	JOINT	
27	3905283M1	1	THERMOSTAT	
28	3904959M1	4	INSERT	
29	3904960M1	4	INSERT	
30	3906582M1	2	STUD BOLT	
31	3604702M1	2	LOCKNUT	
32	3604675M1	2	FLAT WASHER	
	3904956M1	1	SPACER	
33	3906517M1	4	GLOW PLUG	
34	3905285M1	1	TEMPERATURE SENSOR.	

0-0569-012-B



Item	Part Number	Qty	Description Comments	Technical Specification
1	3905410M91	1	ROCKER SHAFT INCLUDES ITEMS 2-8	
2	731330M1	2	PLUG	
3	3905263M91	8	ROCKER ARM INCLUDES ITEMS 4	
4	3904941M1	1	BUSH	
5	3905000M1	4	SPRING	
6	3905581M1	5	ROCK.ARM BRACKET	
7	3904987M1	8	GRUB SCREW	
8	3904975M1	8	LOCKNUT	
9	3905251M1	8	TAPPET	
10	3904986M1	8	ROD	
11	3904993M1	10	HEX CAP SCREW	
	353446X1	10	LOCK WASHER	5/16"
12	3906534M1	2	SPACER	

8018888-0-A



Buy Now



Our support email:

ebooklibonline@outlook.com