

Page Title	Page Number
KNIFE - 8'	3
KNIFE - 10'	4
KNIFE DRIVE - CRANK DRIVE	7
SHAFT (KNIFE DRIVE) - CRANK DRIVE	8
KNIFE DRIVE - WOBBLE DRIVE	11
WOBBLE DRIVE	12
REEL DRIVE-HYDRAULIC ADJUSTING	15
REEL AND REEL CARRIER	16
REEL AND REEL CARRIER	19
FRONT AUGER	20
TABLE	24
EXTENSION DIVIDERS	28
DIVIDERS	31
FENDER ELEVATOR - HOUSING	32
FEEDER ELEVATOR - DRUM, CHAIN	35
TABLE CLUTCH	36
REAR BEATER	39
CYLINDER	40
CONCAVE-TRAP STONE	44
CONCAVE ADJUSTMENT	47
SHAKER SHOE	48
PAN	51
SCREEN	52
SHAKER SHOE DRIVE	55
FANNING MILL	59
FANNING MILL ADJUSTMENT	60
STRAW WALKERS AND DRIVE	63
MACHINE HOUSING (FIXED COMPONENTS)	64
MACHINE HOUSING (ROTATING COMPONENTS)	71
HOOD	75
GRAIN ELEVATOR	76
GLEANINGS ELEVATOR	80
GRAIN TANK	84
DRIVING SHAFT FOR UNLOADING	91
UNLOADER PIPE	95
ENGINE	96
PULLEY ENGINE OUTPUT	103
ROTATING AIR INTAKE AND RADIATOR	104
FUEL TANK AND FUEL LINES	107
AIR FILTER	108
ELECTRICAL EQUIPMENT	111
INSTRUMENT PANEL	112
TRACTION DRIVE	115
MECHANICAL DRIVE (VARIATOR)	116
CLUTCH	119
TRANSMISSION	120
FRONT AXLE	124
BRAKE OPERATING - STANDARD	127
BRAKE OPERATING (SINGLE WHEEL) - SINGLE WHEEL BRAKE	128
BRAKE (STANDARD) - 414506M1, 412498M1	132
BRAKE (SINGLE WHEEL) - 418133M1	135
BRAKE - SINGLE WHEEL BRAKE	136
HANDBRAKE	139
MASTER CYLINDER - 418644M1	140
OPERATORS PLATFORM	143
SEAT	147
SEAT - 418608M2	148
SEAT - 609792M1	151
CONTROL PANEL	152
STEERING	155
STEERING BOX - 417942M1	156
REAR AXLE	159
TABLE LIFT	160
RAME (TABLE LIFT) - 1748013M94	163
HYDRAULIC EQUIPMENT	164
RAM (REEL LIFT) - 1748022M93	168

TABLE OF CONTENT

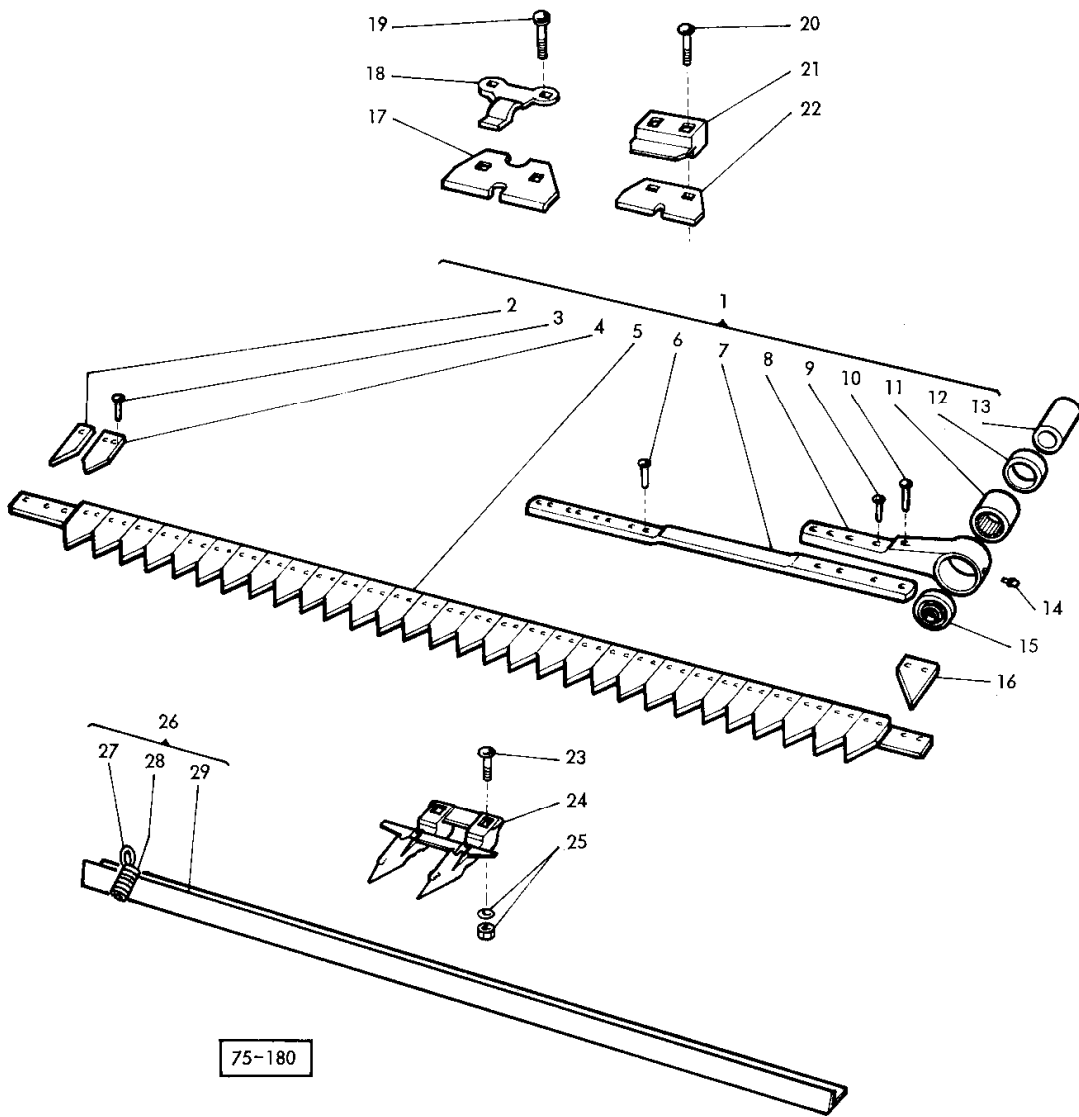
RAM (TRACTION) - 41773/M1	1/1
CONTROL VALVE - 418087M2	172
HYDRAULIC PUMP - OIL CONTAINER - 417737M1	175
LIGHTING - FRANCE	176
LIGHTING - FRANCE	180
LIGHTING - GERMANY	184
LIGHTING - AUSTRIA	188
LIGHTING - ENGLAND	195
DRIVE BELTS AND CHAINS	196
GUARDS-TRANSMISSION	199
ADDITIONAL GUARDS	203
TRANSFERS AND COLOUR	207

KNIFE - 8'

Item	Part Number	Qty	Description	Comments
1	403320M93	2	Knife	(A)
	403320M93	1	Knife	(B)
	417836M91	1	Knife	(B)
2	790863X1	2	Half Section	(A)
	790863X1	1	Half Section	(B)
3	391493X1	136	Rivet	(A)
	391493X1	68	Rivet	(B)
4	206236M1	66	Section	(A)
	210987M1	33	Section	(B)
5	1724501M1	2	Stem	(A)
	1724501M1	1	Stem	(B)
6	391493X1	136	Rivet	(A)
	391493X1	68	Rivet	(B)
7	647116M1	2	Section	(A)
	647116M1	1	Section	(B)
8	391498X1	6	Rivet	(A)
	391498X1	3	Rivet	(B)
9	1724499M91	2	Head	(A)
	1724499M91	1	Head	(B)
10	349419X1	8	Rivet	(A)
	349419X1	4	Rivet	(B)
11	391498X1	6	Rivet	(A)
	391498X1	3	Rivet	(B)
12	206196M1	8	Guide	(A, B)
13	206195M1	8	Clip	(A, B)
14	1442457X1	16	Bolt Metric	(A, B)
15	1442456X1	18	Screw	(A, B)
16	339204X1	2	Screw	(A, B)
	339376X1	2	Lock Washer	(A, B)
	339402X1	2	Nut Metric	(A, B)
17	402321M1	1	Plate	(A, B)
18	402321M1	1	Plate	(A, B)
19	390640X1	2	Screw Metric	(A, B)
20	404795M1	1	Plate	(A, B)
21	404409M1	1	Guide	(A, B)
22	404410M1	1	Guide	(A, B)
23	339376X1	2	Lock Washer	(A, B)
	339402X1	2	Nut Metric	(A, B)
24	609993M91	17	Finger	(A, B)
25	339534X1	34	Washer Metric	(A, B)
	339402X1	34	Nut Metric	(A, B)
26	402727M91	1	Shield	(A, B)
27	322980M1	2	Spring	(A, B)
28	322979M1	2	Knotter Hook	(A, B)
29		1		Not serviced, order 26 (A, B) (A) 2 SERRATED VERSION (B) 1 SERATED VERSION + 1 SMOOTH VERSION

4

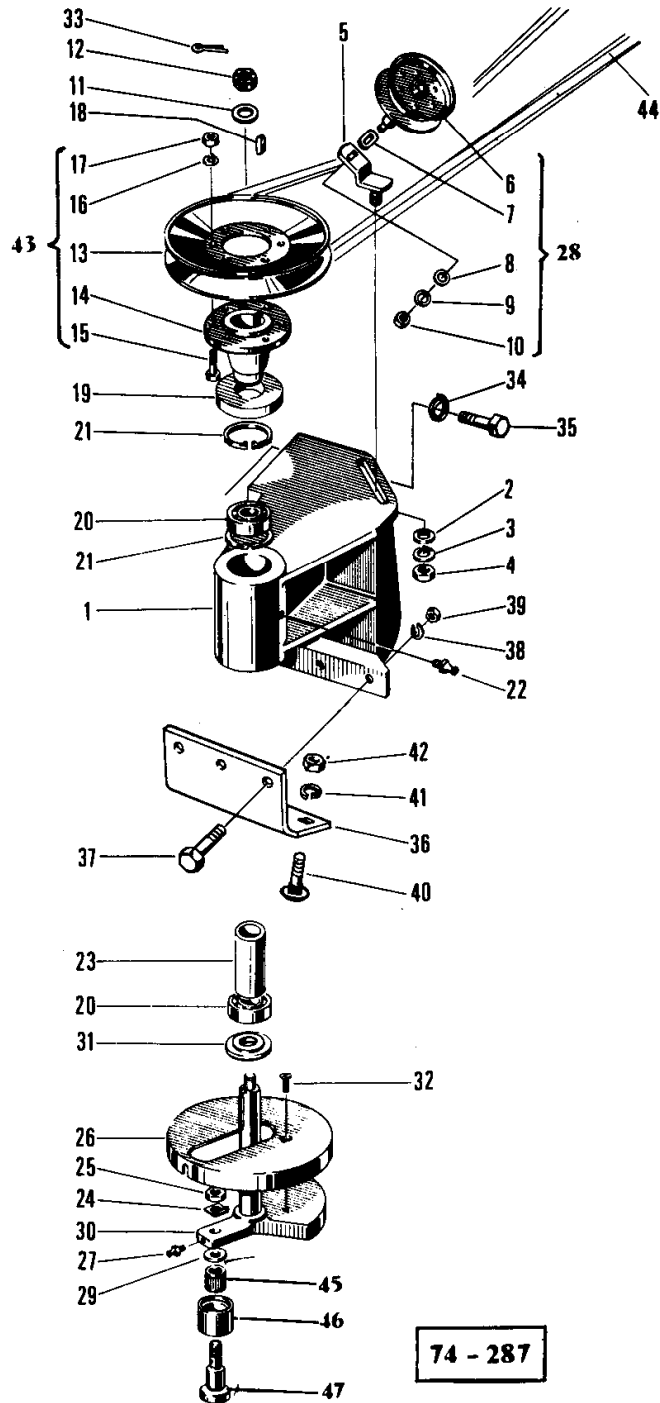
LAME
MESSER
KNIFE } 10'



KNIFE - 10'

Item	Part Number	Qty	Description	Comments
1	1723545M92	2	Knife	(A)
	1723545M92	1	Knife	(B)
	1724687M91	1	Knife	(B)
2	790863M1	2	Section	(A)
	790863M1	1	Section	(B)
3	391493X1	148	Rivet	(A)
	391493X1	74	Rivet	(B)
4	206236M1	78	Section	(A)
	210987M1	39	Section	(B)
5	1724506M1	2	Support	(A)
	1724506M1	1	Support	(B)
6	1441934X1	16	Rivet	(A)
	1441934X1	8	Rivet	(B)
7	785583M1	2	Spring	(A)
	785583M1	1	Spring	(B)
8	785584M1	2	Head	(A)
	785584M1	1	Head	(B)
9	29140X	8	Rivet	(A)
	29140X	4	Rivet	(B)
10	29142X	2	Rivet	(A)
	29142X	1	Rivet	(B)
11	833083M1	2	Bearing Needle	(A)
	833083M1	1	Bearing Needle	(B)
12	831225M1	2	Seal	(A)
	831225M1	1	Seal	(B)
13	239242X1	2	Bearing	(A)
	239242X1	1	Bearing	(B)
14	13811X	2	Grease Nipple	(A)
	13811X	1	Grease Nipple	(B)
15	831225M1	2	Seal	(A)
	831225M1	1	Seal	(B)
16	647116M1	2	Section	(A)
	647116M1	1	Section	(B)
17	206196M1	10	Guide	(A, B)
18	206195M1	8	Clip	(A, B)
19	1442457X1	16	Bolt Metric	(A, B)
20	1441671X1	2	Bolt Metric	(A, B)
21	786506M1	1	Clip	(A, B)
22	206196M1	10	Guide	(A, B)
23	1442456X1	22	Screw	(A, B)
24	609993M91	20	Finger	(A, B)
25	339534X1	40	Washer Metric	(A, B)
	339402X1	40	Nut Metric	(A, B)
26	402729M91	1	Guard	(A, B)
27	322979M1	2	Knotter Hook	(A, B)
28	322980M1	2	Spring	(A, B)
29		1		Not serviced, order 26 (A, B) (A) 2 SERRATED VERSION (B) 1 SERATED VERSION + 1 SMOOTH VERSION

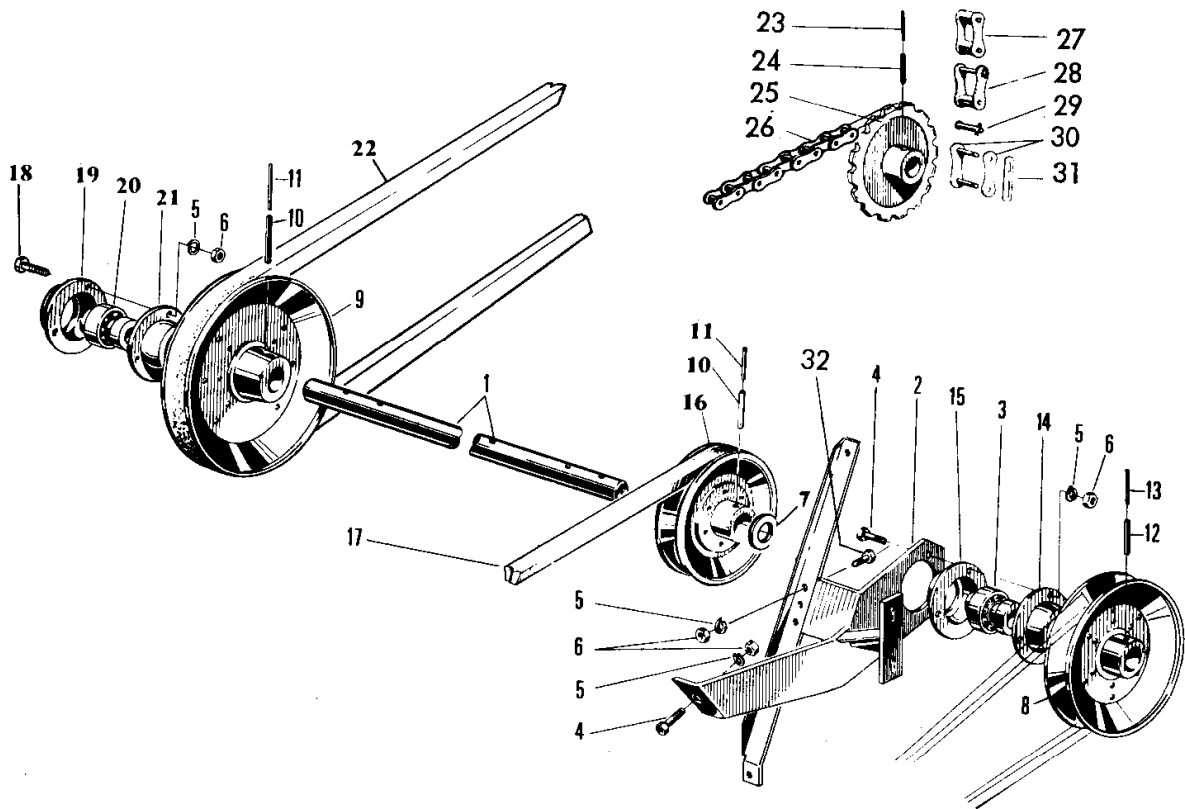
COMMANDE DE LAME	} MANIVELLE	
MESSERANTRIEB		KURBELANTRIEB
KNIFE DRIVE		CRANK DRIVE



Item	Part Number	Qty	Description	Comments
	417264M91	1	Bracket	CRANK DRIVE
1	417265M1	1	Bracket	
2	339072X1	1	Washer	
3	339380X1	1	Washer	
4	339070X1	1	Nut	
5	417205M91	1	Bearer	
6	416580M91	1	Pulley	
7	416584M1	1	Washer	
8	339072X1	1	Washer	
9	339380X1	1	Washer	
10	339070X1	1	Nut	
11	391459X1	1	Washer Metric	
12	391232X1	1	Nut	
13	403735M91	1	Pulley	
14	417267M1	1	Hub	
15	339666X1	6	Screw Metric	
16	339375X1	6	Lock Washer	
17	339030X1	6	Nut Metric	
18	391411X1	1	Key Door	
19	417268M1	1	Plate	
20	1440489X1	2	Bearing Ball	
21	339199X1	2	Ring	
22	339003X1	1	Greaser	
23	417269M1	1	Tube	
24	412383M1	1	Plate	
25	339070X1	1	Nut	
26	402997M1	1	Cover	
27	390843X1	1	Nipple	
28	416579M91	1	Pulley	
29	412381M1	1	Washer	
30	417270M91	1	Shaft	
31	417273M1	1	Washer	
32	339153X1	2	Screw Metric	
33	390448X1	1	Pin	
34	339374X1	2	Lock Washer	
	339169X1	2	Nut Metric	
35	339123X1	2	Screw Metric	
36	404411M1	1	Anglepiece	
37	339814X1	3	Screw Metric	
38	339376X1	3	Lock Washer	
39	339402X1	3	Nut Metric	
40	339172X1	3	Bolt Metric	
41	339376X1	3	Lock Washer	
42	339402X1	3	Nut Metric	
43	417266M91	1	Pulley	
44	402607M1	1	Belt	
45	339569X1	1	Bearing	
46	323478M1	1	Roller	
47	412382M1	1	Trunnion	

8

ARBRE (COMMANDE DE LAME)	} MANIVELLE	
WELLE (MESSERANTRIEB)		} KURBELANTRIEB
SHAFT (KNIFE DRIVE)		

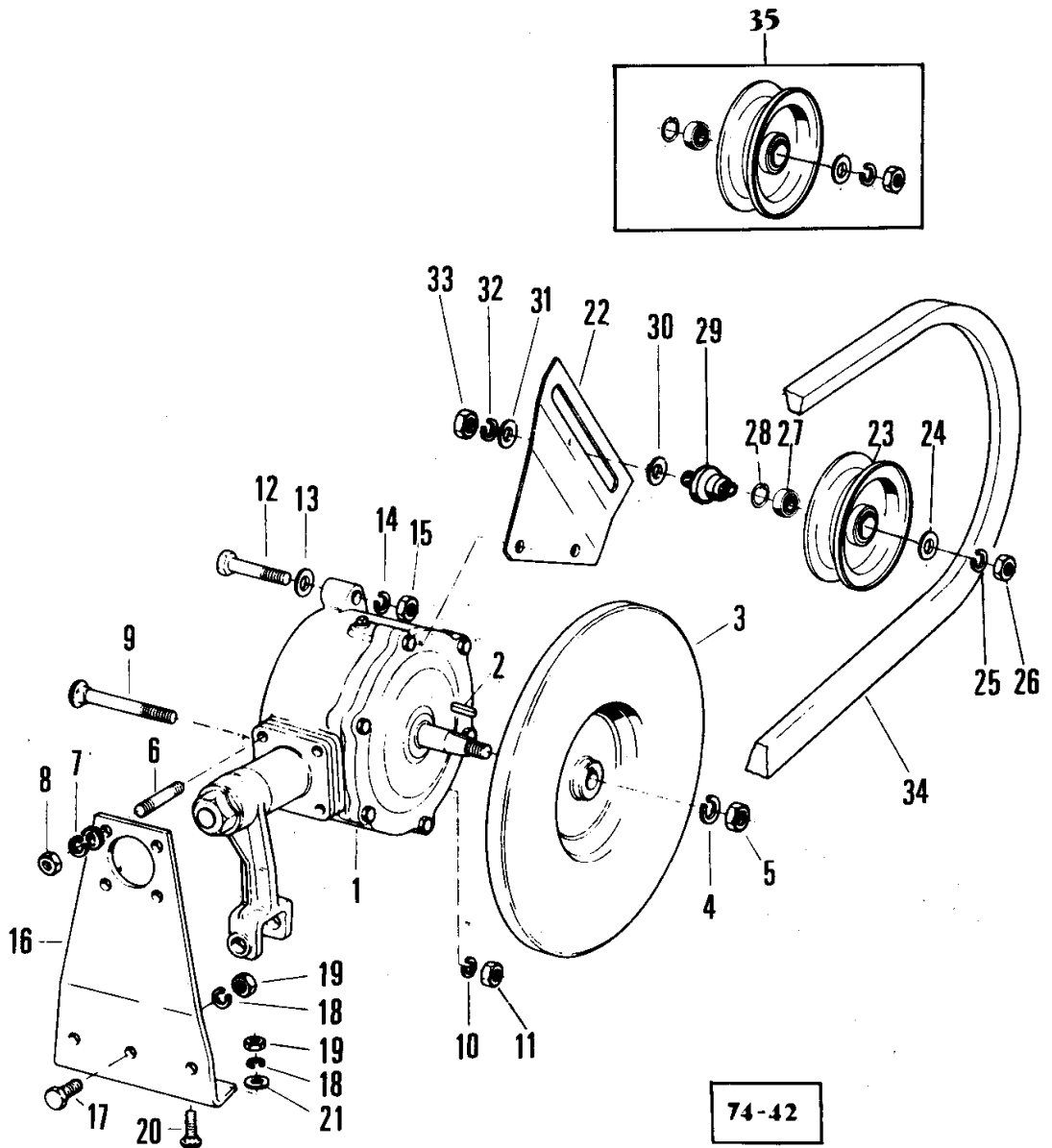


75-323

SHAFT (KNIFE DRIVE) - CRANK DRIVE

Item	Part Number	Qty	Description	Comments
				CRANK DRIVE
1	1723449M1	1	Shaft	(A)
	1723450M1	1	Shaft	(B)
2	1724117M91	1	Support	(A, B)
3	412260M1	1	Bearing Assy	(A, B)
4	339123X1	3	Screw Metric	(A, B)
5	339374X1	12	Lock Washer	(A, B)
6	339169X1	12	Nut Metric	(A, B)
7	339956X1	1	Washer	(A, B)
8	1722611M91	1	Pulley	(A, B)
9	412397M91	1	Pulley	(A, B)
10	339192X1	2	Pin	(A, B)
11	390533X1	2	Pin	(A, B)
12	339193X1	2	Pin	(A, B)
13	339248X1	2	Pin	(A, B)
14	412261M1	1	Ring	(A, B)
15	412315M1	1	Ring	(A, B)
16	418204M91	1	Pulley	(A)
17	418209M1	1	Belt	(A)
18	339123X1	3	Screw Metric	(A, B)
19	412261M1	1	Ring	(A, B)
20	412260M1	1	Bearing Assy	(A, B)
21	412315M1	1	Ring	(A, B)
22	417972M1	1	Belt	(A, B)
23	390533X1	2	Pin	(B)
24	339192X1	2	Pin	(B)
25	418214M91	1	Sprocket	Number of teeth/spines 15 (B)
26	413840M91	1	Chain	(B)
27	329312M91	26	Link	(B)
	329313M91	25	Link	(B)
28	329316M91	1	Cranked Link	(B)
29	329888M91	1	Pin	(B)
30	329314M91	1	Link	(B)
31	329292M1	1	Clip	(B)
32	339761X1	6	Screw Metric	(A, B)
				(A)
				8'
				(B)
				10'

COMMANDE DE LAME	}	OSCILLANTE
MESSERANTRIEB		TAUMELANTRIEB
KNIFE DRIVE		WOBBLE DRIVE



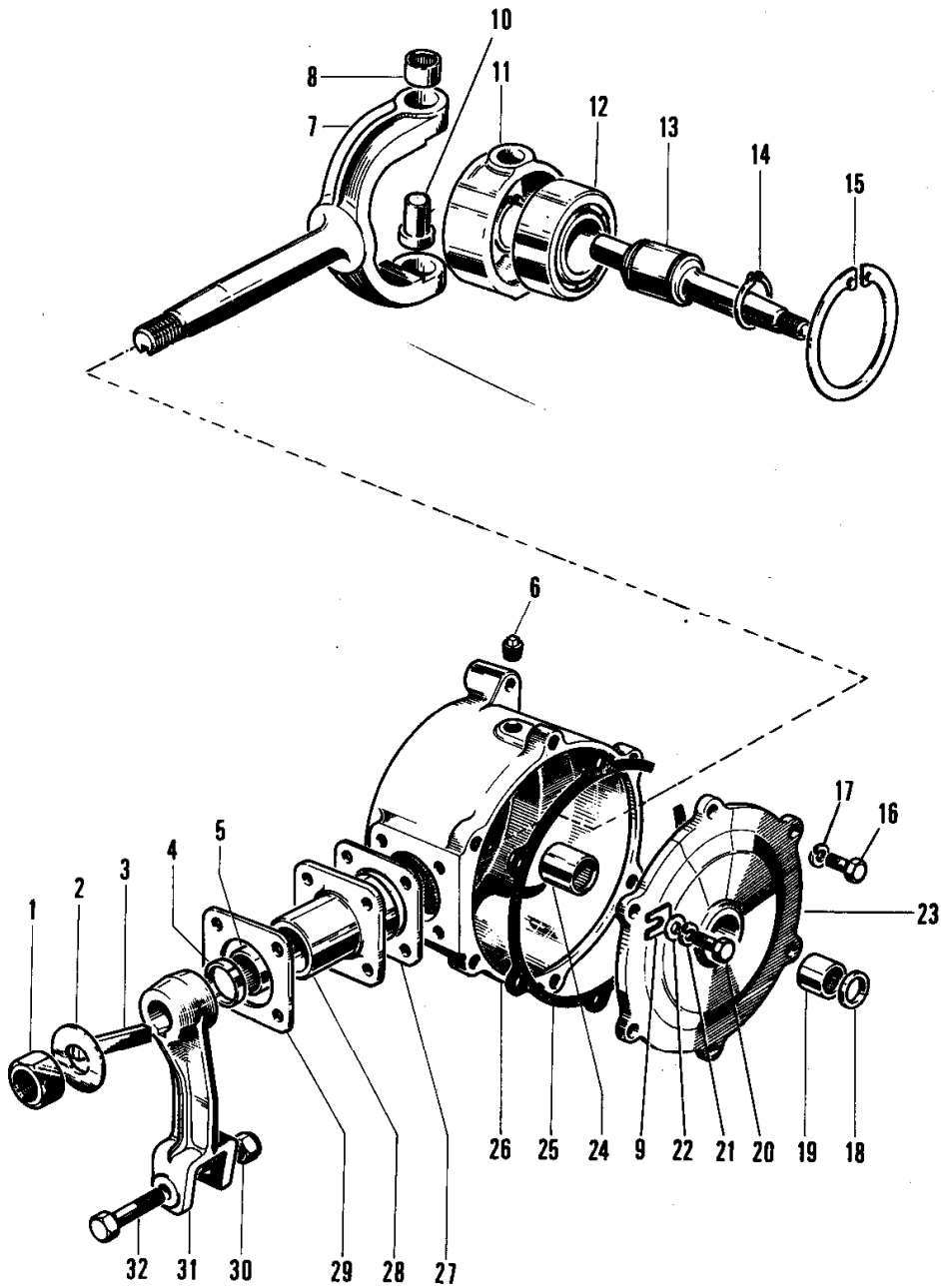
KNIFE DRIVE - WOBBLE DRIVE

Item	Part Number	Qty	Description	Comments
				WOBBLE DRIVE
1	1724135M91	1	Wobble Drive	(A)
2	1721356M1	1	Key Door	
3	1723905M1	1	Pulley	
4	339377X1	1	Lock Washer	
5	353427X1	1	Nut Unf	
6	357133X1	4	Stud	
7	609930M1	4	Washer	
	339369X1	4	Lock Washer	
8	353426X1	4	Nut Unf	
9	391231X1	1	Bolt Metric	
10	339376X1	1	Lock Washer	
11	339402X1	1	Nut Metric	
12	339679X1	1	Screw Metric	
13	391396X1	1	Washer Metric	
14	339376X1	1	Lock Washer	
15	339402X1	1	Nut Metric	
16	1721348M1	1	Bracket	
17	339451X1	3	Screw Metric	
18	339376X1	6	Lock Washer	
19	339402X1	6	Nut Metric	
20	390397X1	3	Bolt	
21	339025X1	3	Washer Metric	
22	916649M1	1	Support	
23	213736M1	1	Pulley	
24	353774X1	1	Washer	
25	391837X1	1	Conical Seat	
26	353427X1	1	Nut Unf	
27	22258X	1	Bearing Assy	
28	208230M1	1	Ring	
29	916003M1	1	Pin	
30	319591X1	1	Washer	
31	339072X1	1	Washer	
32	339380X1	1	Washer	
33	339070X1	1	Nut	
34	1722835M1	1	Belt	
35	621579M91	1	Pulley	

(A)
See Page - Reference Number 12

12

BOITIER DE COMMANDE
 GETRIEBE TAUMELANTRIEB
 WOBBLE DRIVE



73-203

WOBBLE DRIVE

Item	Part Number	Qty	Description
	1724135M91	1	Wobble Drive
1	355646X1	1	Nut Unf
2	239497M1	1	Washer
3	49378X	1	Key
4	834782M1	2	Seal
5	833346M1	2	Bearing
6	375181X1	2	Plug
7	236569M2	1	Yoke
8	832879M1	2	Bearing
9	261428M1	2	Washer
10	249149M3	2	Pin
11	249148M4	1	Housing
12	833309M1	1	Bearing
13	259598M2	1	Shaft
14	364553X1	2	Ring
15	366126X1	1	Circlip
16	353678X1	4	Screw Unc
17	353446X1	4	Lock Washer
18	831135M1	2	Seal
19	834296M1	1	Bearing Assy
20	353679X1	2	Screw Unc
21	353446X1	2	Lock Washer
22	253755X1	2	Washer
23	236568M1	1	Cover
24	834294M1	1	Bearing Assy
25	236567M1	1	Gasket
26	236566M1	1	Housing
27	236579M1	1	Gasket
28	261391M1	1	Flange
29	236580M1	2	Spacer
30	357561X1	1	Nut Unf
31	239160M2	1	Arm
32	238499M1	1	Bolt

Buy Now



Our support email:

ebooklibonline@outlook.com