

ORIGINAL INSTRUCTIONS - according to Directive 2006/42/EC, Annex I 1.7.4.1

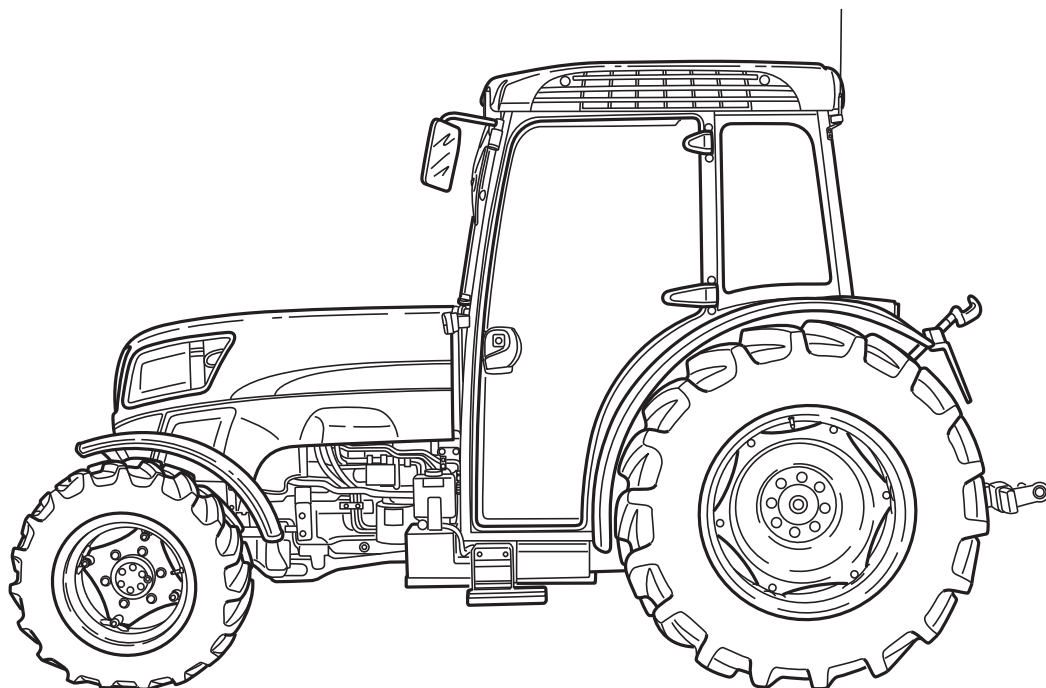
OPERATOR'S MANUAL

T4030N

T4040N

T4050N

Tractors



Part Number 47374787

English
June 2012



SECTION SUMMARY

1 - Introduction and safety measures

2 - Controls, Instruments and Operation

3 - Field Operation

4 - Lubrication and Maintenance

5 - Troubleshooting

6 - Vehicle storage

7 - Accessories

8 - Specifications and Data

9 - Alphabetical Index

CE DECLARATION OF CONFORMITY DOCUMENT

Table with 10 columns for different languages: BG, CZ, DA, DE, EL, EN, ES, ET, FI, FR, HU, IT, LT, LV, NL, NO, PL, PT, RO, SK, SL, SV, TR. Each column contains a header with the language and CE mark, followed by a table of manufacturer information, model details, and compliance statements for the 2006/42/EC directive. A logo for NEW HOLLAND AGRICULTURE is visible in the top right corner.

Here above is provided copy of the "EC" Declaration of Conformity (EC Declaration of Conformity according to 2006/42/EC).

The EC Declaration of Conformity is the manufacturer's declaration about equipment compliance to relevant EU provisions.

Please keep the original document in a safe place. Local authorities may require you to show this document in order to assure compliance of your equipment.

Translation of this declaration in your own country language is provided on the original document

For your better and easier understanding of the document you'll find original text reproduced hereafter together with some notes

Clause of 2006/42/EC Annex II	EN EC Declaration of conformity According to Directive 2006/42/EC.
1.A.1	We, [1]
1.A.2	Represented by Giuseppe Gavioli, CNH Europe Holding S.A. 24, Boulevard Royal L-2449 Luxembourg
1.A.3	declare under our sole responsibility, that the product: Agricultural tractor Trade Name: [2] Model: [3] Type: [4] Serial Number: [5]
1.A.4	to which this declaration relates, fulfils all the relevant provisions of the Directive 2006/42/EC, amended by [6].
1.A.7	For the relevant implementation of the provisions of the Directive, the following (harmonised) standards have been ap- plied: • ISO 26322-1 part 1 or 2 Other standards: see Operators Manual
1.A.9	Place and date of the declaration: [7]
1.A.10	Name and signature of the authorised per- son: [8]

- FOPS level on your tractor cab is certified according to **OECD Code 10**.
- BLUE CAB is certified **Category 2** according to **EN 15695-1**.
- HVAC (Heating, ventilation Air Conditioning) CAB is certified **Category 1** according to **EN 15695-1**.
- The HV (Heating, Ventilation) cab is certified **Category 1** according to **EN 15695-1**.

METRIC AND IMPERIAL UNITS ABBREVIATIONS

TYPICAL APPLICATIONS	RECOMMENDED SI (METRIC) UNITS		IMPERIAL UNIT	
	NAME	SYMBOL	NAME	SYMBOL
AREA				
Land area	hectare	ha	acre	
	square meter	m ²	square foot	ft ²
	square millimetre	mm ²	square inch	in ²
	square millimetre	mm ²	square inch	in ²
ELECTRICITY				
	ampere	A	ampere	A
	volt	V	volt	V
	microfarad	μF	microfarad	μF
	ohm	Ω	ohm	Ω
FORCE				
	kilonewton	kN	pound	lb
	newton	N	pound	lb
FORCE PER LENGTH				
	newton per metre	N/m	pound per inch	lb/in
FREQUENCY				
	megahertz	MHz	Megahertz	MHz
	kilohertz	kHz	kilohertz	kHz
	hertz	Hz	hertz	Hz
FREQUENCY - ROTATIONAL				
	revolution per minute	r/min rpm	revolution per minute	r/min ^(a) rpm
LENGTH				
	kilometre	km	mile	mi
	meter	m	foot	ft
	centimetre	cm	inch	in
	millimetre	mm	inch	in
	micrometer	μm		
MASS				
	kilogram	kg	pound	lb
	gram	g	ounce	oz
	milligram	mg		

TYPICAL APPLICATIONS	RECOMMENDED SI (METRIC) UNITS		IMPERIAL UNIT	
	NAME	SYMBOL	NAME	SYMBOL
POWER				
	kilowatt	kW	horsepower	Hp
	watt	W	Btu per hour Btu per minute	Btu/hr Btu/min
PRESSURE or STRESS (FORCE PER AREA)				
	kilopascal	kPa	pound per square inch inch of mercury	psi inHg
	pascal	Pa	inch of water	inH ₂ O
	megapascal	Mpa	pound per square inch	psi
TEMPERATURE (other than THERMODYNAMIC)				
	degrees Celsius	°C	degrees Fahrenheit	°F
TIME				
	hour	h	hour	h
	minute	min	minute	min
	second	s	second	s
TORQUE (includes BENDING MOMENT, MOMENT OF FORCE, and MOMENT OF A COUPLE)				
	newton meter	N m N m	pound foot pound inch	lb ft lb in
VELOCITY				
	kilometre per hour	km/h	mile per hour	mph
	meter per second	m/s	foot per second	ft/s
	millimetre per second	mm/s	inch per second	in/s
	meter per minute	m/min	foot per minute	ft/min
VOLUME (includes CAPACITY)				
	cubic meter	m ³	cubic yard	yd ³ cu yd
	litre	l	cubic inch	in ³
	litre	l	US gallon UK gallon US quart UK quart	US gal UK gal US qt UK qt
	millilitre	ml	fluid ounce	fl oz

TYPICAL APPLICATIONS	RECOMMENDED SI (METRIC) UNITS		IMPERIAL UNIT	
	NAME	SYMBOL	NAME	SYMBOL
VOLUME PER TIME (includes DISCHARGE and FLOW RATE)				
	cubic meter per minute	m ³ /min	cubic foot per minute	ft ³ /min
	litre per minute	l/min	US gallon per minute	US gal/min
	millilitre per minute	ml/min	UK gallon per minute	UK gal/min
SOUND POWER LEVEL and SOUND PRESSURE LEVEL				
	decibel	dB	decibel	dB

CONTENTS

CE DECLARATION OF CONFORMITY DOCUMENT	1
---	---

HEALTH AND SAFETY RELATED STANDARDS APPLIED TO YOUR TRACTOR	2
---	---

Section 1 (General information and safety measures)

General information and safety measures	1-1
Tractor identification plates	1-2
Important ecological considerations	1-6
Always work safely	1-7
Safety decals	1-19
Tractor noise level information sheet	1-25
Tractor vibration level information sheet	1-26
Protection offered by the tractor	1-27
Machine stability	1-30
Fire or explosion prevention	1-33
Intended use of your tractor	1-34
Tractors main components	1-37

Section 2 (Controls and instruments)

Controls, instruments and operation	2-1
Analogue instrument panel	2-2
Digital instrument panel	2-7, 2-8
Controls	2-29
Cab	2-34
Instructions for use - air conditioning system	2-42
Cab climate controls	2-43
Operator's seat	2-45
Mechanical transmission (16F+16R)	2-47
Mechanical transmission (28F+16R)	2-51
Mechanical transmission (32F+16R)	2-53
Electrohydraulic transmission (32F+16R or 44+16)	2-55
Electrohydraulically controlled clutch and transmission (32F+16R)	2-57
Mechanical transmissions 40 km/h (24.85 mph) (four-wheel drive models)	2-63

Section 3 (Field operation)

Field operation	3-1
Engine crank	3-2
Starting and stopping	3-2
Brakes	3-6
Electronically controlled electro-hydraulic four-wheel drive	3-8
Differential lock	3-10
Power Take-Off	3-13
Hydraulic lift with mechanical control	3-18
Electronically controlled hydraulic lift	3-22
Three point linkage	3-29
Implement connection points	3-34, 3-35
Remote control valves	3-36
Tyres	3-42
Ballasting	3-58
Permitted maximum weights	3-59

Section 4 (Lubrication and maintenance)

Lubrication and maintenance	4-1
Access for inspection and maintenance	4-7
Lubrication and maintenance table	4-8
Flexible maintenance	4-11
Instrument panel warning lights	4-15
Every 10 hours of work	4-18
Every 50 hours of work	4-19
Every 300 hours of work	4-26
Every 500 hours of work	4-31
Every 600 hours of work	4-34
Every 1200 hours or every year	4-37
Every 1200 hours of work or every 2 years	4-39
Electrical system	4-46
Calibrations	4-72
Tractor refuelling	4-79

Section 5 (Troubleshooting)

Section 6 (Tractor storage)

Section 7 (Accessories)

Front power take-off	7-2
Front Lift	7-5
Front implement linkage	7-6
Trailer brake valve	7-9
Towing equipment	7-11
Roll bar	7-17

Section 8 (Specifications and data)

Section 9 (Alphabetical Index)

SECTION 1

GENERAL INFORMATION AND SAFETY MEASURES

SPARE PARTS

“Non-original” spare parts have not been tested or authorised by the Manufacturer. Installment and/or use of such products may adversely affect the tractor’s design specifications, thereby compromising operational safety. The manufacturer cannot be held responsible for any damage resulting from the use of “non-original” spare parts.

No modifications may be made to the tractor without written authorisation from the Manufacturer.

WARRANTY

The tractor is guaranteed in accordance with current legislation in your country and in line with contractual agreements reached with the dealer at the time of sale. However, the warranty is no longer valid if the rules and instructions for the use and maintenance of the tractor, described in this Manual, are not observed.

CLEANING THE TRACTOR

Your tractor is an advanced machine, fitted with an electro-hydraulic control system. Care must be taken when cleaning the tractor, especially if a pressurised water cleaner is used.

- Never stand too close to the tractor or direct the water jet on electrical components, seals or intake openings, etc..
- Never direct jets of cold water at the hot engine or exhaust. See also Section 3 (Recommendations for body-work maintenance).

TRACTOR IDENTIFICATION PLATES

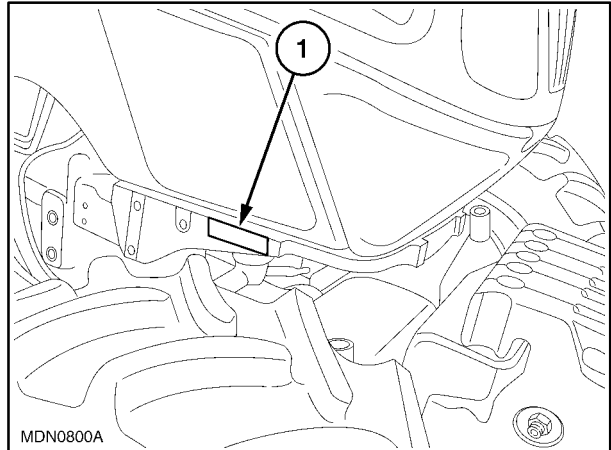
Serial numbers identify the tractor and its main components. The identification data must be supplied by the dealer for requests for spare parts or service operations. Identification data is of fundamental importance in the event of theft of the tractor. The location of the various identification data is shown below.

ENGINE IDENTIFICATION DATA PLATE

The tractor's frame number is stamped over the front support (1). It gives the safety frame identification data.

Indicate below the corresponding serial number.

No.



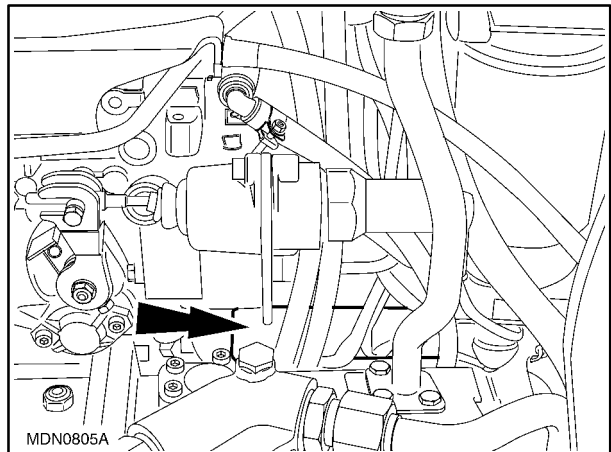
1

ENGINE IDENTIFICATION DATA PLATE (MODELS T4030N AND T4040N)

The plate with the engine data installed on the tractor is fitted on the left-hand side of the engine near the hydraulic pumps.

Indicate below the corresponding serial number.

No.



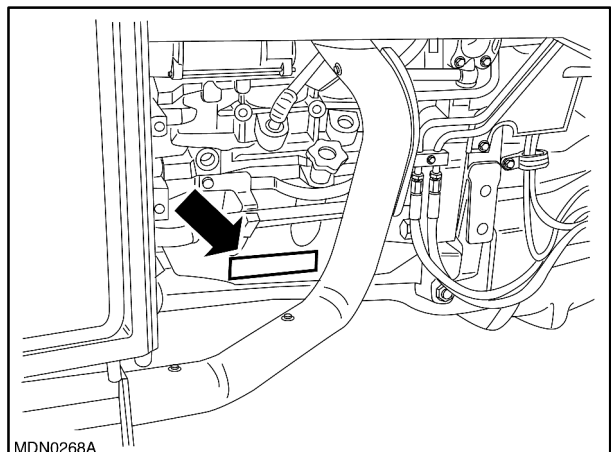
2

ENGINE IDENTIFICATION DATA PLATE (MODEL T4050N)

The plate with the engine data installed on the tractor is fitted on the right-hand side of the engine.

Indicate below the corresponding serial number.

No.



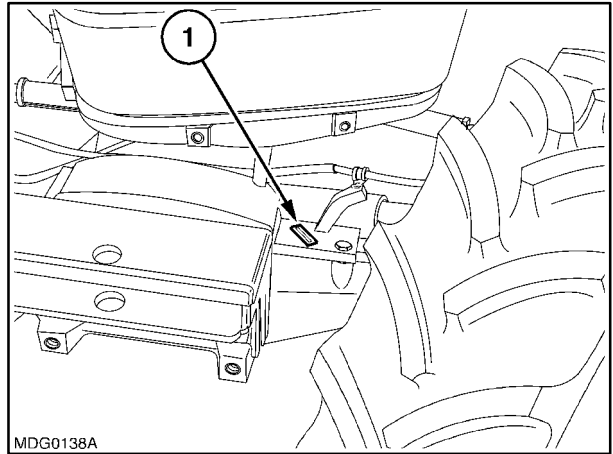
3

4WD FRONT AXLE IDENTIFICATION PLATE (SUPERSTEER)

The plate (1) is located on the right-hand side and gives the identification data for the axle fitted on the machine.

Indicate below the corresponding serial number.

No.



MDG0138A

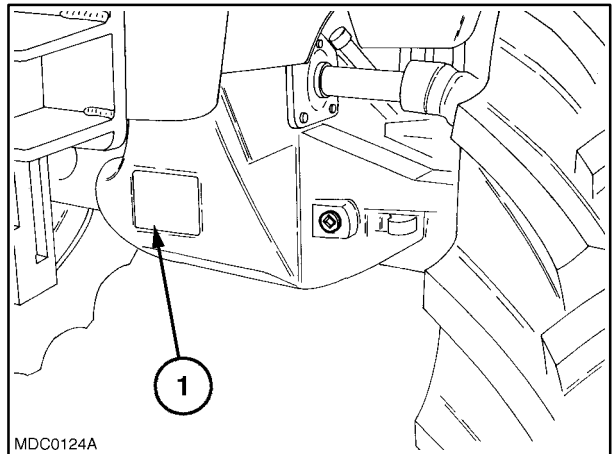
4

STANDARD 4WD FRONT AXLE IDENTIFICATION PLATE

The plate (1) is located on the right-hand side and gives the identification data for the axle fitted on the machine.

Indicate below the corresponding serial number.

No.



MDC0124A

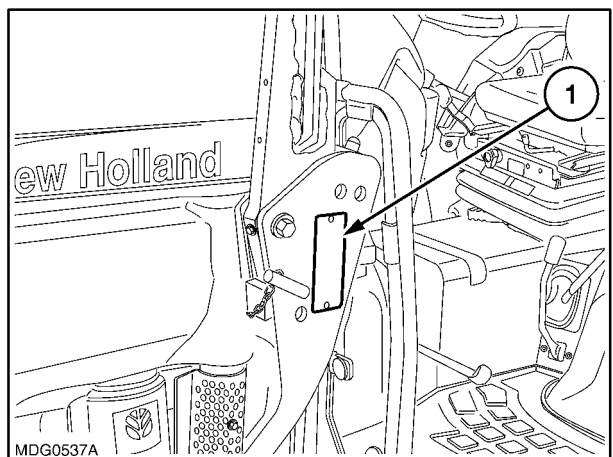
5

ROLL BAR IDENTIFICATION PLATE

The plate (1) is located on the right-hand side and gives the identification data for the frame fitted on the machine.

Indicate below the corresponding serial number.

No.



MDG0537A

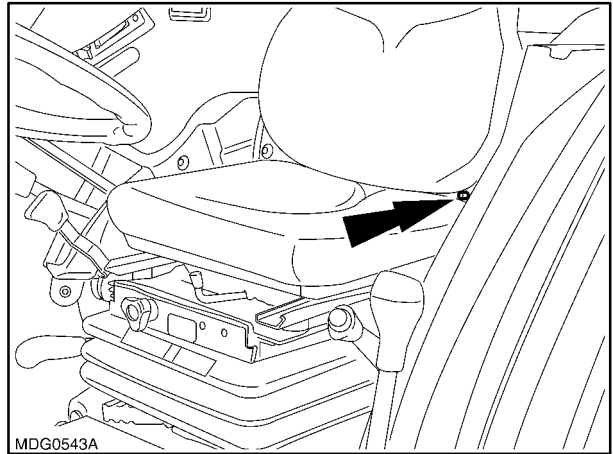
6

CAB IDENTIFICATION PLATE

The cab identification plate is located at the rear on the left-hand side as shown in the figure.

Indicate below the corresponding serial number.

No.



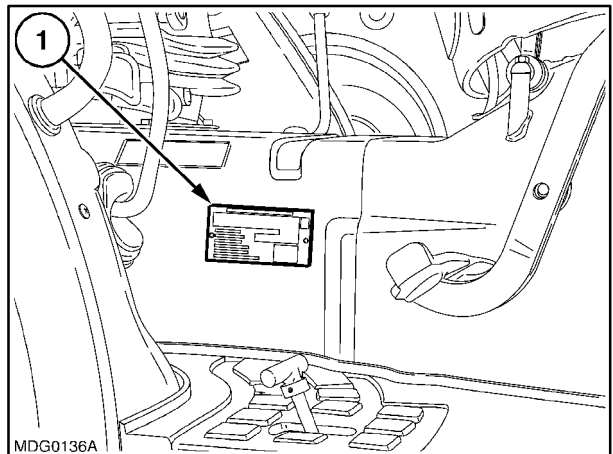
7

FRAME AND ENGINE TYPE IDENTIFICATION SUMMARY DATA PLATE FOR MODELS WITH ROLL BAR

The plate (1) groups the identification data with your machine's frame number and engine number.

Indicate below the corresponding serial number.

No.



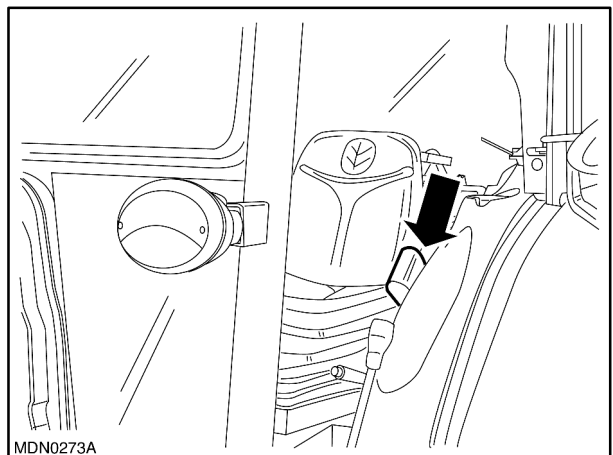
8

FRAME AND ENGINE TYPE IDENTIFICATION SUMMARY DATA PLATE FOR MODELS WITH CAB

The plate groups the identification data with your machine's frame number and engine number.

Indicate below the corresponding serial number.

No.



9

NOTE: The data on the plates of figures 8 and 9, are also listed in figure 10.

Thank you so much for reading.
Please click the “Buy Now!”
button below to download the
complete manual.



After you pay.

You can download the most
perfect and complete manual in
the world immediately.

Our support email:

ebooklibonline@outlook.com