

ORIGINAL INSTRUCTIONS - according to Directive 2006/42/EC, Annex I 1.7.4.1

# OPERATOR'S MANUAL

---

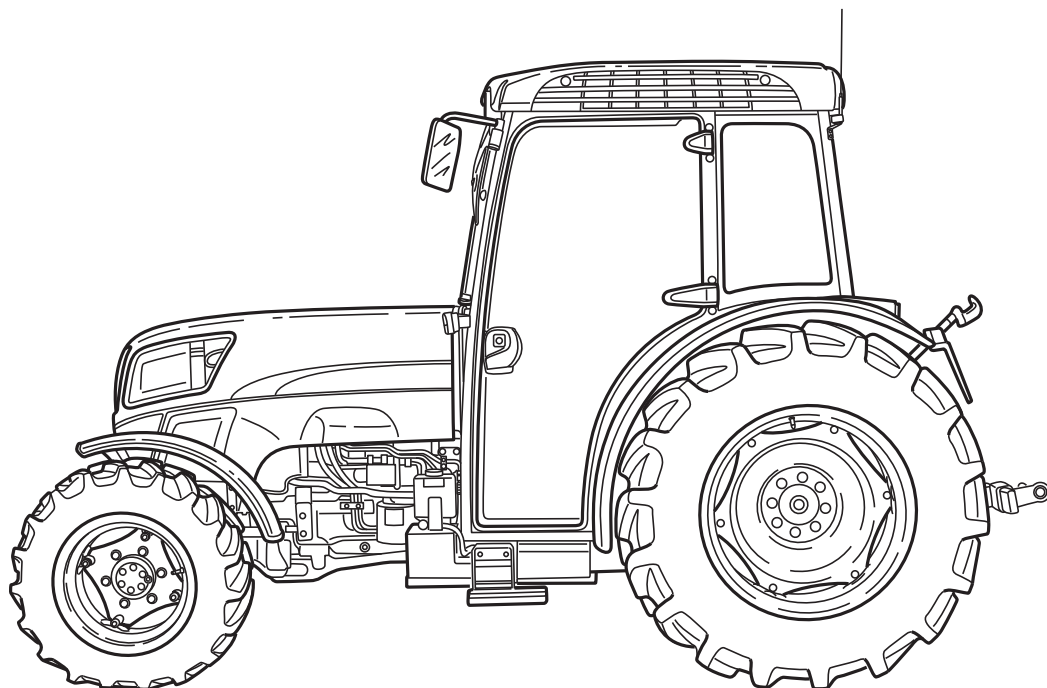
**T4030N**

**T4040N**

**T4050N**

**T4060N**

Tractors



**Part Number 47374889**

English  
June 2012



# Contents

---

## 1 GENERAL INFORMATION

Note to the Owner .....	1-1
EC Declaration of Conformity .....	1-2
Commission directive 2010/52/EU .....	1-4
Noise level .....	1-11
Electro-magnetic interference (EMC).....	1-12
International symbols .....	1-13
Introduction .....	1-15
Tractor intended use.....	1-16
Ecology and the Environment .....	1-18
Identification plates .....	1-19
Approval data plate.....	1-21
Component Identification .....	1-22

## 2 SAFETY INFORMATION

Safety rules .....	2-1
Safety information .....	2-2
Air conditioning safety regulations.....	2-6
Vehicle vibration levels .....	2-7
Cab guard .....	2-8
Roll over protective structure (ROPS).....	2-10
Machine stability .....	2-11
Personal protective equipment (PPE).....	2-13
Tractor jacking points.....	2-14
Hazardous chemicals.....	2-15
Burn prevention.....	2-16
Fire or explosion prevention .....	2-17
Getting in and out of the machine .....	2-18
Emergency Exit.....	2-18
Safety signs .....	2-19

## 3 CONTROLS/INSTRUMENTS

### ACCESS TO OPERATOR'S PLATFORM

Cab .....	3-1
Heating system .....	3-4
Heating, ventilation or air-conditioning control .....	3-5
Cab air filter.....	3-7

### OPERATOR'S SEAT

Operator seat.....	3-9
--------------------	-----

### FORWARD CONTROLS

Digital dashboard.....	3-11
Front controls.....	3-17

---

## LEFT-HAND SIDE CONTROLS

Console Left-hand console - Control identification .....	3-21
Parking brake for hydraulic transmissions.....	3-23

## RIGHT-HAND SIDE CONTROLS

Console Right-hand console - Control identification .....	3-24
---	------

## EXTERIOR CONTROLS

Console - Control identification.....	3-27
---------------------------------------	------

## DISPLAY SETTINGS

Instrument cluster - Program .....	3-28
------------------------------------	------

## TRANSMISSION

Transmission - Operating 4WD models .....	3-35
Transmission with gear reducer and mechanical reversing mechanism .....	3-36
Transmission with gear reducer and electrohydraulic reversing mechanism .....	3-39
Transmission with additional gear reducer and mechanical reversing mechanism ...	3-42
Transmission with gear reducer, mechanical reversing mechanism and splitter .....	3-44
Parking brake for hydraulic transmissions.....	3-47
Transmission with gear reducer, electrohydraulic reversing mechanism and HI-LO control .....	3-48
Transmission with gear reducer, electrohydraulic reversing mechanism, HI-LO control and electrohydraulic clutch.....	3-51
Transmission with gear reducer, electrohydraulic reversing mechanism, HI-LO control and additional reducer .....	3-56

## 4 OPERATING INSTRUCTIONS

### STARTING THE UNIT

Engine starting system - Safety rules .....	4-1
Engine starting system - Care .....	4-2
Engine starting system - Start .....	4-3

### STOPPING THE UNIT

Engine starting system - Stop .....	4-5
-------------------------------------	-----

### MOVING THE UNIT

Moving the machine .....	4-6
--------------------------	-----

## 5 TRANSPORT OPERATIONS

### ROAD TRANSPORT

Transporting the machine .....	5-1
--------------------------------	-----

---

## RECOVERY TRANSPORT

Towing the tractor.....	5-2
-------------------------	-----

## 6 WORKING OPERATIONS

### 2WD or 4WD

Four-wheel drive with electrohydraulic actuation.....	6-1
Four-wheel drive with electrohydraulic actuation.....	6-1

### DIFFERENTIAL LOCK

Mechanical differential lock.....	6-2
Electrohydraulic differential lock.....	6-4

### REMOTE VALVES

General safety rules.....	6-5
Rear remote control valve(s).....	6-6
Electrohydraulically controlled side hydraulic valves.....	6-9
Side hydraulic valves.....	6-11
Maintenance.....	6-12

### POWER TAKE OFF (PTO)

Power take off (PTO).....	6-14
---------------------------	------

### HYDRAULIC LIFT

Hydraulic lift.....	6-18
Hydraulic lift with electronic control.....	6-21

### THREE-POINT LINKAGE

Three-point linkage.....	6-26
Additional equipment attachment points.....	6-30
Additional equipment attachment points.....	6-31

### TOWBAR

General safety rules.....	6-32
Swinging drawbar.....	6-33

### REAR TOW HITCH

General safety rules.....	6-34
Towing hitch.....	6-35

### MAXIMUM PERMITTED LOADS

Front and rear axle.....	6-37
Towbar.....	6-39
Towing hitch.....	6-39

---

## WHEELS AND TIRES

Wheels and tires .....	6-40
Tyre dimensions .....	6-44

## WHEEL TRACK ADJUSTMENT

Wheel tread settings.....	6-46
Tire Combinations and Tread Positions .....	6-50

## BALLAST

Ballast .....	6-53
Ballast .....	6-54

## 7 MAINTENANCE

### GENERAL INFORMATION

Introduction .....	7-1
Various controls .....	7-3
Body maintenance.....	7-4
Break-in period .....	7-6
Fuel supply .....	7-7
General specification - Biodiesel Fuels .....	7-8
Fluids and lubricants .....	7-9
Opening the hood .....	7-11

### MAINTENANCE CHART

Maintenance Chart .....	7-12
-------------------------	------

### AS REQUIRED

Radiator expansion tank.....	7-14
Windscreen washer tank .....	7-15
Road light - Check.....	7-15
Clutch pedal adjustment.....	7-15
Parking brake - Adjust.....	7-16
Radiator - Cleaning .....	7-16
Tire pressure .....	7-16
Wheel nuts torque .....	7-17
Brake pedals .....	7-17

### AT WARNING MESSAGE DISPLAY

Engine air filters .....	7-18
Fuel filter water drain .....	7-19
Fuel filter water drain .....	7-20
Brake fluid level.....	7-20

### EVERY 10 HOURS OR EACH DAY

Engine oil level .....	7-22
------------------------	------

---

## EVERY 50 HOURS

Rear wheel hub .....	7-23
Lift and linkage .....	7-23
2WD steering cylinder .....	7-23
4WD steering cylinders .....	7-24
2WD front axle pivot .....	7-24
4WD front axle pivot .....	7-25
2WD left-hand stub axle .....	7-25
2WD right-hand stub axle .....	7-26
4WD propeller shaft .....	7-26
Front lift arms shaft .....	7-27
Front PTO coupling .....	7-27

## EVERY 100 HOURS

Transmission oil cooler .....	7-28
Air conditioning condenser .....	7-28
Intercooler .....	7-28
Cab air filter .....	7-29
Cab recirculated air filter .....	7-29

## EVERY 300 HOURS

Alternator belt .....	7-30
Alternator belt .....	7-30
Battery - Check .....	7-30
Transmission oil filter .....	7-31
Oil filter models with power shuttle/dual command .....	7-31
Engine air filters .....	7-31
Transmission oil level .....	7-32
4WD front axle housing .....	7-32
4WD front axle housing .....	7-32
4WD front axle housing .....	7-33
4WD front axle final drives .....	7-33
4WD front axle final drives .....	7-33
4WD front axles stub .....	7-34
4WD front axles stub .....	7-34
2WD front wheels .....	7-34

## EVERY 500 HOURS

Engine oil and filter .....	7-35
Fuel filter .....	7-36
Fuel pre-filter .....	7-37

## EVERY 600 HOURS

Engine oil and filter .....	7-38
Fuel filter .....	7-39
Fuel pre-filter .....	7-40

## EVERY 1200 HOURS OR ANNUALLY

---

Cab air filters .....	7-41
Cab recirculated air filter .....	7-41
Engine air filters .....	7-41
Fuel tank.....	7-42

## EVERY 1200 HOURS OR EVERY 2 YEARS

4WD front axle housing With brake .....	7-43
4WD front axle housing Without brake .....	7-43
4WD front axle housing.....	7-44
Engine valves.....	7-45
Change transmission oil.....	7-45
Washing cooling system.....	7-46

## EVERY 1800 HOURS

Fuel injectors - Check .....	7-49
------------------------------	------

## ELECTRICAL SYSTEM

Battery .....	7-50
Battery connect/disconnect system Battery switch - Check.....	7-52
Fuses and relays .....	7-53
Fuses and relays location .....	7-54
Fuses and relays location .....	7-56
Fuses and relays location Fuses and relays on cab right hand upright .....	7-58
Power sockets .....	7-58
Headlight - Adjust.....	7-59
Headlight - Adjust.....	7-60
Headlight - Replace .....	7-60
Headlight - Replace .....	7-60
Brake, direction and rear lamp replacing .....	7-61
Number plate light .....	7-61
Front sidelight and marker light replacing .....	7-62
Front sidelight and marker light replacing .....	7-62
Front and rear work lights .....	7-62
Front and rear work lights .....	7-63
Work lights for tractors with roll bar.....	7-63
Interior light.....	7-63

## CALIBRATIONS

Dual command calibration.....	7-65
Electronic lift calibration .....	7-68

## STORAGE

Tractor storage .....	7-70
-----------------------	------

## 8 TROUBLESHOOTING

### FAULT CODE RESOLUTION

---

Display fault codes .....	8-1
TRUBLESHOOTING ENGINE .....	8-3
Electrical system - Troubleshooting ELECTRICAL SYSTEM .....	8-5
Hydraulic systems - Troubleshooting HYDRAULIC SYSTEM .....	8-6
Rear three-point hitch - Troubleshooting HYDRAULIC LIFT AND 3-POINT LINKAGE .....	8-7
Hydraulic service brakes - Troubleshooting .....	8-8
Cab climate control - Troubleshooting .....	8-9

## ALARM(S)

Alarms .....	8-10
Alarms, cause, solutions .....	8-12

## 9 SPECIFICATIONS

Technical data .....	9-1
----------------------	-----

## 10 ACCESSORIES

Cab radio set - Operating.....	10-1
Hydraulic valve for trailer brakes Not available on all markets .....	10-6
Quick coupling three point linkage .....	10-8
Front Power Take-Off (PTO) - Operating .....	10-10
Front hydraulic lift.....	10-13
Quick coupling three point linkage .....	10-14



# 1 - GENERAL INFORMATION

## Note to the Owner

This manual contains information concerning the adjustment and maintenance of your new equipment. You have purchased a dependable machine, but only by proper care and operation can you expect to receive the performance and long service built into this equipment. Please have all operators read this manual carefully and keep it available for ready reference.

Your NEW HOLLAND AGRICULTURE dealer will instruct you in the general operation of your new equipment. Your dealer's staff of factory-trained service technicians will be glad to answer any questions that may arise regarding the operation of your machine.

Your NEW HOLLAND AGRICULTURE dealer carries a complete line of genuine NEW HOLLAND AGRICULTURE service parts. These parts are manufactured and carefully inspected to insure high quality and accurate fitting of any necessary replacement parts. Be prepared to give your dealer the model and product identification number of your new equipment when ordering parts. Locate these numbers now and record them below. Refer to the 'General Information' section of this manual for the location of the model and product identification numbers of your machine.

PLEASE RECORD THE FOLLOWING INFORMATION
Model:
Product Identification Number (PIN):



This is the safety alert symbol. It is used with and without signal words to alert you to potential personal injury hazards. Obey all safety messages that follow this symbol to avoid possible death or injury.

### **▲ WARNING**

**Illustrations in this manual may show protective shielding open or removed to better illustrate a particular feature or adjustment.  
Replace all shields before operating the machine.  
Failure to comply could result in death or serious injury.**

W0012A

### Engine tampering statement:

**ATTENTION:** *The fuel system and engine on your machine are designed and built to government emissions standards. Tampering by dealers, customers, operators and users is strictly prohibited by law. Failure to comply could result in government fines, rework charges, invalid warranty, legal action and possible confiscation of the machine until rework to original condition is completed. Engine service and/or repairs must be done by a certified technician only!*

# EC Declaration of Conformity

Classe de 2006/42/EC Article 4	BG Декларация ЕС за съответствие (член 4 от Директива 2006/42/ЕО)	CZ Prohlášení o shodě ES podle směrnice 2006/42/ES	DA EU-overensstemmelseserklæring ifølge direktivet 2006/42/EF	DE EG-Konformitätserklärung laut Richtlinie 2006/42/EG	EL Δήλωση Συμμόρφωσης ΕΚ σύμφωνα με την Οδηγία 2006/42/ΕΚ	EN EC Declaration of conformity according to Directive 2006/42/EC	ES Declaración CE de conformidad con la Directiva 2006/42/CE	ET EU vastutavuseklaratsioon vastavalt direktiivile 2006/42/EÜ	FI EU-vastuunotomerkki suostavaksi direktiivin 2006/42/EY mukaisesti	F Declaration CE de conformité de la Directive 2006/42/CE	FR	DECAPLENGB017S1C 1
1.A.1	Has: [1]	My: [1]	V: [1]	W: [1]	Εγκ: [1]	W: [1]	None	None	None	None	None	
1.A.2	Представители на Giuseppe Gavio, CNH Europe Holding S.A., 13, Rue Aldringen, 1-1118 Luxembourg	Zastupnici Giuseppe Gavio, CNH Europe Holding S.A., 13, Rue Aldringen, 1-1118 Luxembourg	repræsentanter af Giuseppe Gavio, CNH Europe Holding S.A., 13, Rue Aldringen, 1-1118 Luxembourg	vertreter durch Giuseppe Gavio, CNH Europe Holding S.A., 13, Rue Aldringen, 1-1118 Luxembourg	αρμοδιότητες του/ων Giuseppe Gavio, CNH Europe Holding S.A., 13, Rue Aldringen, 1-1118 Luxembourg	Represented by Giuseppe Gavio, CNH Europe Holding S.A., 13, Rue Aldringen, 1-1118 Luxembourg	representados por Giuseppe Gavio, CNH Europe Holding S.A., 13, Rue Aldringen, 1-1118 Luxembourg	Eksponentid Giuseppe Gavio poolt, CNH Europe Holding S.A., 13, Rue Aldringen, 1-1118 Luxembourg	edustajajana Giuseppe Gavio, CNH Europe Holding S.A., 13, Rue Aldringen, 1-1118 Luxembourg	représentés par Giuseppe Gavio, CNH Europe Holding S.A., 13, Rue Aldringen, 1-1118 Luxembourg		
1.A.3	Декларацията, подписана чужо име, е валидна само ако е подписана от лицето, което е отговорно за отговора на Декларацията 2006/42/ЕО.	Prohlášení na vlastní odpovědnost, je vyrobky: Zevnějdílný výrobek: Obchodní název: [2] Model: [3] Typ: [4] Výrobci číslo: [5]	Landbrugsmaskiner Handelsnavn: [2] Model: [3] Typ: [4] Serienummer: [5]	Landwirtschaftliche Zugmaschinen Handelsbezeichnung: [2] Modell: [3] Typ: [4] Serienummer: [5]	verklären auf eigene allerhöchste Verantwortung, dass das Produkt: Landwirtschaftliche Zugmaschine Handelsbezeichnung: [2] Modell: [3] Typ: [4] Serienummer: [5]	Αφαιρούμε, υπό αποκλειστικό δικό μου/εμάς, την ευθύνη, ότι το προϊόν: Γεωργική Μηχανή: Εμπορική ονομασία: [2] Μοντέλο: [3] Τύπος: [4] Σειριακός αριθμός: [5]	declares under our sole responsibility, that the product: Agricultural tractor Trade Name: [2] Model: [3] Type: [4] Serial Number: [5]	deklariram, bajo nuestra exclusiva responsabilidad, que el producto: Tractor agrícola Denominación comercial: [2] Modelo: [3] Tipo: [4] Número de serie: [5]	väitän, että olen vastuullinen, että tuote: Maatalouskoneet Kaupallinen nimi: [2] Malli: [3] Tyypit: [4] Sarjenumero: [5]	je déclare sous leur propre responsabilité, que le produit: Tracteur agricole Désignation Commerciale: [2] Modèle: [3] Type: [4] Numéro de série: [5]		
1.A.4	За валидност на декларацията от Декларацията 2006/42/ЕО, съответствие с изискванията на Декларацията 2006/42/ЕО, промените в:	Pro relevantní implementaci ustanovení této Směrnice byly aplikovány následující harmonizační normy: • ISO 26322-1 část 1 a 2 • Další normy, vztahující se k požadavkům této směrnice.	Folgende (harmonisierende) Standards sind verwendet. Es entspricht der Examen I der Richtlinie. • ISO 26322-1 del 1 eller 2 • Andre standarder, der knytter sig til kravene i direktivet.	auf das sich diese Erklärung bezieht, allen einschlägigen Bestimmungen der Richtlinie 2006/42/EG entspricht, Änderungen durch: • ISO 26322-1 Teil 1 oder 2 • Andere Normen, die sich auf die Anforderungen der Richtlinie beziehen.	στο οποίο αναφέρεται η Δήλωση αυτή, είναι εφαρμογή της παρούσας, αλλαγές, που αφορούν: Οδηγία 2006/42/ΕΚ, όπως έχει τροποποιηθεί με:	to which this declaration refers, falls all the relevant provisions of the Directive 2006/42/EC, amendments by [6].	Para la implementación de las disposiciones de la Directiva se han aplicado las siguientes normas armonizadas: • ISO 26322-1 parte 1 o 2 • Otras normativas relacionadas con los requisitos de esta Directiva.	Ettevalmistamisel kasutati järgmisi standarditega: • ISO 26322-1 osa 1 või 2 • Muud standardid, mis puuduvad käesolevas direktiivis.	johtu tämä vakuutus väittää, väittää, kaikki direktiivin 2006/42/EY vaatimukset ja muutokset: • ISO 26322-1 osat 1 ja 2 • Muut standardit, jotka liittyvät suoraan tämän direktiivin vaatimuksiin.	étant noté que la présente déclaration est conforme aux dispositions pertinentes de la Directive 2006/42/CE, amendes par [6].		
1.A.7	Две стандарти във връзка с Декларацията 2006/42/ЕО.	ISO 26322-1 parte 1 o 2	ISO 26322-1 del 1 eller 2	ISO 26322-1 Teil 1 oder 2	ISO 26322-1 μέρος 1 ο 2	ISO 26322-1 part 1 or 2	ISO 26322-1 parte 1 o 2	ISO 26322-1 osa 1 ja 2	ISO 26322-1 part 1 or 2	ISO 26322-1 parte 1 o 2		
1.A.9	Място и дата на декларацията [7]	Място и дата на декларацията [7]	Sted og dato for erklæringen: [7]	Ort und Datum der Erklärung: [7]	Μέρος ή μέρος της Δήλωσης [7]	Place and date of the declaration [7]	Lugar y fecha de la declaración [7]	Väljatuht ajankohhta ja aeg: [7]	Käytetty paikka ja päivä: [7]	Lieu et date de la déclaration [7]		
1.A.10	Име и подпис на уполномощеното лице: [8]	Име и подпис на уполномощеното лице: [8]	Benyttedes navn og underskrift: [8]	Name und Unterschrift des Belegten: [8]	Όνομα και υπογραφή του/ων Εξουσιοδοτημένου/ων: [8]	Name and signature of the authorized person: [8]	Nombre y firma de la persona autorizada: [8]	Väljatuht isikunimi ja allkiri: [8]	Väljatuht henkilö nimi ja allekirjotus: [8]	Nom et signature de la personne autorisée: [8]	Giuseppe Gavio	



NEW HOLLAND  
CNH Europe Holding S.A.  
Boulevard Royal, 24  
L-1248 LUXEMBOURG  
(Luxembourg)

1) \_\_\_\_\_  
2) \_\_\_\_\_  
3) \_\_\_\_\_  
4) \_\_\_\_\_  
5) \_\_\_\_\_  
6) \_\_\_\_\_  
7) \_\_\_\_\_  
8) \_\_\_\_\_

1) \_\_\_\_\_  
2) \_\_\_\_\_  
3) \_\_\_\_\_  
4) \_\_\_\_\_  
5) \_\_\_\_\_  
6) \_\_\_\_\_  
7) \_\_\_\_\_  
8) \_\_\_\_\_

1) \_\_\_\_\_  
2) \_\_\_\_\_  
3) \_\_\_\_\_  
4) \_\_\_\_\_  
5) \_\_\_\_\_  
6) \_\_\_\_\_  
7) \_\_\_\_\_  
8) \_\_\_\_\_

1) \_\_\_\_\_  
2) \_\_\_\_\_  
3) \_\_\_\_\_  
4) \_\_\_\_\_  
5) \_\_\_\_\_  
6) \_\_\_\_\_  
7) \_\_\_\_\_  
8) \_\_\_\_\_

1) \_\_\_\_\_  
2) \_\_\_\_\_  
3) \_\_\_\_\_  
4) \_\_\_\_\_  
5) \_\_\_\_\_  
6) \_\_\_\_\_  
7) \_\_\_\_\_  
8) \_\_\_\_\_

1) \_\_\_\_\_  
2) \_\_\_\_\_  
3) \_\_\_\_\_  
4) \_\_\_\_\_  
5) \_\_\_\_\_  
6) \_\_\_\_\_  
7) \_\_\_\_\_  
8) \_\_\_\_\_

Here above is provided copy of the "EC" Declaration of Conformity (EC Declaration of Conformity acc to 2006/42/EC). The EC Declaration of Conformity is the manufacturer's declaration about equipment compliance to relevant EU provisions. Please keep the original document in a safe place. Local authorities may require you to show this document in order to assure compliance of your equipment. Translation of this declaration in your own country language is provided on the original document

For your better and easier understanding of the document you'll find original text reproduced hereafter together with some notes

Clause of 2006/42/EC Annex II	EN EC Declaration of conformity According to Directive 2006/42/EC.
1.A.1	We, <b>[1]</b>
1.A.2	Represented by Giuseppe Gavioli, CNH Europe Holding S.A. 24, Boulevard Royal L- 2449 Luxembourg
1.A.3	declare under our sole responsibility, that the product: Agricultural tractor Trade Name: <b>[2]</b> Model: <b>[3]</b> Type: <b>[4]</b> Serial number: <b>[5]</b>
1.A.4	to which this declaration relates, fulfils all the relevant provisions of the Directive 2006/42/EC, amended by <b>[6]</b> .
1.A.7	For the relevant implementation of the provisions of the Directive, the following (harmonised) standards have been applied: • ISO 26322-1 part 1 or 2 Other standards: see Operators Manual
1.A.9	Place and date of the declaration: <b>[7]</b>
1.A.10	Name and signature of the authorised person: <b>[8]</b>

- FOPS level on your tractor cab is certified according to OECD Code 10.
- The "BLUE CAB" is certified Category 2 according to EN 15695-1.
- The HVAC (Heating, Ventilation and Air-Conditioning) cab is certified Category 1 according to EN 15695-1.
- The HV (Heating, ventilation) cab is certified Category 1 according to EN 15695-1.

## Commission directive 2010/52/EU

### Aspects concerning safety of directive 2010/52/EU

#### Section 4.1

##### A Ergonomic position of the driver seat.

Adjust the driver seat correctly in the most comfortable, ergonomic position before using the machine. This reduces the risks and effects of the vibrations transmitted to the whole body. Please refer to **3-9** for specific adjustment instructions. See **2-7** for further information on the effects and risks of vibration transmitted to the whole body.

##### B Heating, ventilation and air-conditioning.

Carefully read and comprehend the instructions for using and operating the air-conditioning, heating and ventilation system, given on **3-5**. Only a correct use of the cab ventilation and filtration system provides protection against dust and that the minimum differential pressure is ensured. The necessary filtration of the outside air can be accomplished only by using the air-conditioner and setting the fan on the highest speed with the doors, windows and canopy closed.

##### C Starting and shutting down the engine.

To be able to use the machine safely, it is recommended to read and fully understand all the information on engine start-up and shutdown and likewise safety for use and operation. Please refer to **4-3** and **4-5**.

##### D Emergency exit.

The tractor's rear window can be used as an emergency exit, as indicated by a special safety sign. See **2-18**.

##### E Getting on and off the tractor.

#### **▲ WARNING**

##### **Fall hazard!**

**Jumping on or off the machine could cause an injury. Always face the machine, use the handrails and steps, and get on or off slowly. Maintain a three-point contact to avoid falling: both hands on the handrails and one foot on the step, or one hand on the handrail and both feet on the steps. Failure to comply could result in death or serious injury.**

W0141A

See **2-18**.

##### F Articulated tractors.

#### **▲ WARNING**

##### **Uncontrolled equipment movement!**

**Moving the articulated tractor steering wheel can swing or move attached equipment. Do not move the steering wheel until everyone is clear of the equipment. Failure to comply could result in death or serious injury.**

W0906A

There is no space for people when the tractor steers.

To avoid personal injuries:

- Keep at a distance from the tractor articulation zone when the engine is running.
- Switch off the engine before working in the tractor articulation zone.
- Install the articulation cylinder retaining blocks before lifting the tractor or transporting it with another means, performing maintenance work in the articulation zone or activating static implements driven by the Power Take-Off (PTO). Take care to remove the retaining blocks before driving the tractor.
- Keep the transmission guards in position.

**G** | Special tools.

No special tools are required for using or servicing the machine. For support and maintenance work and services not covered in this manual, please contact your NEW HOLLAND AGRICULTURE dealer.

**H** | Support and maintenance.**⚠ DANGER**

**Improper operation or service of this machine can result in an accident.  
Do not operate this machine or perform any lubrication, maintenance, or repair on it until you have read and understood the operation, lubrication, maintenance, and repair information.  
Failure to comply will result in death or serious injury.**

D0010A

**⚠ DANGER**

**Improper operation or service of this machine can result in an accident.  
Any unauthorized modifications made to this machine can have serious consequences. Consult an authorized dealer on changes, additions, or modifications that may be required for this machine. Do not make any unauthorized modifications.  
Failure to comply will result in death or serious injury.**

D0030A

**⚠ WARNING**

**Improper operation or service of this machine can result in an accident.  
Read and understand the SAFETY INFORMATION Section before you perform any maintenance, service, or repairs. Read and understand the specific service procedures for the components you plan to work with before you start servicing the machine.  
Failure to comply could result in death or serious injury.**

W0138A

**⚠ WARNING**

**Improper operation or service of this machine can result in an accident.  
If you do not understand a maintenance procedure, or doubt your ability to perform a maintenance procedure correctly, see your authorized dealer.  
Failure to comply could result in death or serious injury.**

W0157A

**⚠ WARNING**

**Personal Protective Equipment (PPE) required.  
When assembling, operating, or servicing the machine, wear protective clothing and PPE necessary for the particular procedure. Some PPE that may be necessary includes protective shoes, eye and/or face protection, hard hat, heavy gloves, filter mask, and hearing protection.  
Failure to comply could result in death or serious injury.**

W0353A

**I** | Hydraulic hoses.

Although periodical inspection of the hydraulic hoses is required, it is not necessary for the operator to carry out maintenance work. Please refer to the general precautions to be observed for tests and inspections given in this manual (Maintenance chapter).

**J** | Towing the Tractor.**⚠ WARNING**

**Avoid injury!  
Incorrect towing procedures can cause accidents. When towing your machine, follow the procedure in this manual.  
Failure to comply could result in death or serious injury.**

W0476A

Please refer to 5-1.

**K** | Hoisting points.

The points to use for hoisting the machine are shown on **2-14**.

**L** | Batteries and fuel tank.

Observe all the following precautions. Please refer to **7-50** for the specific maintenance operations on the battery. Please refer to **7-7** for instructions on filling.

**⚠ WARNING**

**Explosive gas!**

**Batteries emit explosive hydrogen gas and other fumes while charging. Ventilate the charging area. Keep the battery away from sparks, open flames, and other ignition sources. Never charge a frozen battery.**

**Failure to comply could result in death or serious injury.**

W0005A

**⚠ WARNING**

**Battery gas can explode!**

**To prevent an explosion: 1. Always disconnect the negative (-) battery cable first. 2. Always connect the negative (-) battery cable last. 3. Do not short circuit the battery posts with metal objects. 4. Do not weld, grind, or smoke near a battery.**

**Failure to comply could result in death or serious injury.**

W0011A

**⚠ WARNING**

**Battery acid causes burns. Batteries contain sulfuric acid.**

**Avoid contact with skin, eyes or clothing. Antidote (external): Flush with water. Antidote (eyes): flush with water for 15 minutes and seek medical attention immediately. Antidote (internal): Drink large quantities of water or milk. Do not induce vomiting. Seek medical attention immediately.**

**Failure to comply could result in death or serious injury.**

W0111A

**⚠ WARNING**

**Fire hazard!**

**When handling diesel fuel, observe the following precautions:**

- 1. Do not smoke.**
- 2. Never fill the tank when the engine is running.**
- 3. Wipe up spilled fuel immediately.**

**Failure to comply could result in death or serious injury.**

W0099A

**⚠ WARNING**

**Fire hazard!**

**Do not add gasoline, alcohol, or blended fuels to diesel fuel, except as recommended in this manual. Fuel combinations may increase fire and explosion hazards.**

**Failure to comply could result in death or serious injury.**

W0401A

**⚠ WARNING**

**Fuel vapors are explosive and flammable.**

**Do not smoke while handling fuel. Keep fuel away from flames or sparks. Shut off engine and remove key before servicing. Always work in a well-ventilated area. Clean up spilled fuel immediately.**

**Failure to comply could result in death or serious injury.**

W0904A

**M** | Danger of overturning.

Do not use the tractor on slopes or in such conditions as to compromise its limits of safety and stability, indicated in **2-11**. Using the tractor beyond these limits may result in a roll over or a tip over. Observe the recommendations in this manual. Pay particular attention when coming down steep slopes with a loaded tractor.

Thank you so much for reading.  
Please click the “Buy Now!”  
button below to download the  
complete manual.



After you pay.

You can download the most  
perfect and complete manual in  
the world immediately.

Our support email:

[ebooklibonline@outlook.com](mailto:ebooklibonline@outlook.com)